



US00D615089S

(12) **United States Design Patent**  
**Corley et al.**

(10) **Patent No.:** **US D615,089 S**  
(45) **Date of Patent:** **\*\* May 4, 2010**

(54) **NAVIGATION ROW FOR A HAND-HELD ELECTRONIC DEVICE**

D551,227 S 9/2007 Griffin et al.  
D556,207 S \* 11/2007 Griffin ..... D14/455  
D556,749 S 12/2007 Rak et al.  
D572,713 S \* 7/2008 Griffin et al. .... D14/439  
D576,593 S 9/2008 Chang et al.  
D581,924 S 12/2008 Griffin  
D586,344 S 2/2009 Rak et al.  
D586,804 S 2/2009 Rak et al.

(75) Inventors: **Cortez Corley**, Waterloo (CA); **Todd Wood**, Guelph (CA)

(73) Assignee: **Research In Motion Limited**, Waterloo, Ontario (CA)

(\*\*) Term: **14 Years**

(21) Appl. No.: **29/335,368**

(22) Filed: **Apr. 14, 2009**

(Continued)

**OTHER PUBLICATIONS**

BlackBerry Pearl 8100, announced Sep. 2006, [online], [retrieved on Jun. 18, 2008]. Retrieved from Internet, <URL: [http://www.gsmarena.com/blackberry\\_pearl\\_8100-1701.php](http://www.gsmarena.com/blackberry_pearl_8100-1701.php)>.

(Continued)

**Related U.S. Application Data**

(62) Division of application No. 29/295,198, filed on Sep. 21, 2007, now Pat. No. Des. 595,724.

(51) **LOC (9) Cl.** ..... **14-02**

(52) **U.S. Cl.** ..... **D14/455; D14/247**

(58) **Field of Classification Search** ..... D14/454, D14/455, 456, 315, 320, 331, 333, 334, 338, D14/339, 341, 342, 343, 344, 345, 346, 347, D14/387, 390, 391, 392, 393, 394, 395, 396, D14/397, 398, 399, 400, 401, 406, 429, 432, D14/439, 457, 460, 461, 247, 150, 218, 900, D14/901, 902, 137, 138 R, 138 AA, 138 AB, D14/138 AC, 138 AD, 138 C, 138 G; D21/333, D21/329, 331; D18/1, 2, 7, 52, 25, 29; D13/138, D13/171; 400/88, 109, 110, 111, 484, 485, 400/486, 487, 488, 490, 492, 493, 494, 496, 400/904; 345/168, 169, 170, 171; 455/556.1, 455/556.2; D20/11, 22, 27

See application file for complete search history.

*Primary Examiner*—Jennifer Rivard  
*Assistant Examiner*—Angela J Lee

(74) *Attorney, Agent, or Firm*—Novak Druce + Quigg LLP

(57) **CLAIM**

We claim the ornamental design for a navigation row for a hand-held electronic device, as shown and described.

**DESCRIPTION**

FIG. 1 is a front perspective view of a navigation row for a hand-held electronic device; and,

FIG. 2 is a front elevation view of a navigation row for a hand-held electronic device.

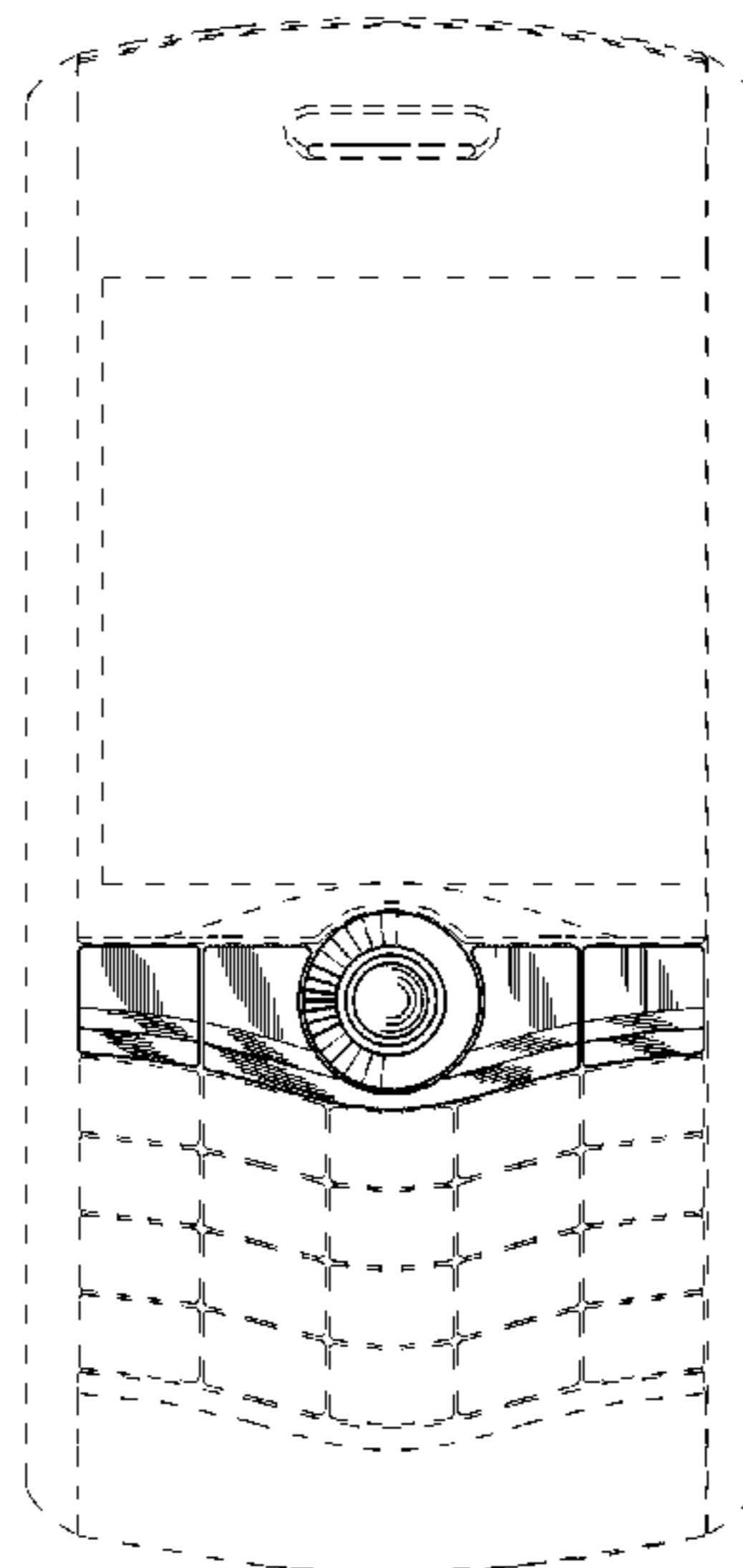
The broken lines are included for illustrating environment and form no part of the claimed design.

**1 Claim, 2 Drawing Sheets**

(56) **References Cited**

**U.S. PATENT DOCUMENTS**

D495,695 S 9/2004 Yugaya  
D550,186 S 9/2007 Rak  
D550,665 S 9/2007 Griffin



# US D615,089 S

Page 2

---

## U.S. PATENT DOCUMENTS

D587,263 S 2/2009 Rak et al.  
D587,264 S 2/2009 Griffin et al.  
7,489,302 B2\* 2/2009 Moosavi et al. .... 345/168  
D587,705 S 3/2009 Rak et al.  
D589,043 S 3/2009 Rak et al.  
D589,926 S 4/2009 Turner  
D591,743 S 5/2009 Corley et al.  
D593,555 S 6/2009 Corley et al.  
D595,724 S 7/2009 Corley et al.  
D598,921 S \* 8/2009 Rak et al. .... D14/455  
2007/0188462 A1 8/2007 Lee et al.

2007/0234208 A1 10/2007 Scott  
2007/0259698 A1 11/2007 Chen et al.  
2007/0281733 A1 12/2007 Griffin et al.  
2008/0058006 A1 3/2008 Ladouceur  
2009/0073115 A1\* 3/2009 Chen et al. .... 345/157  
2009/0227284 A1\* 9/2009 Jones ..... 455/556.1

## OTHER PUBLICATIONS

BlackBerry Pearl 8120, announced Oct. 2007, [online], [retrieved on Jun. 18, 2008]. Retrieved from Internet, <URL: [http://www.gsmarena.com/blackberry\\_pearl\\_8120-2136.php](http://www.gsmarena.com/blackberry_pearl_8120-2136.php)>.

\* cited by examiner

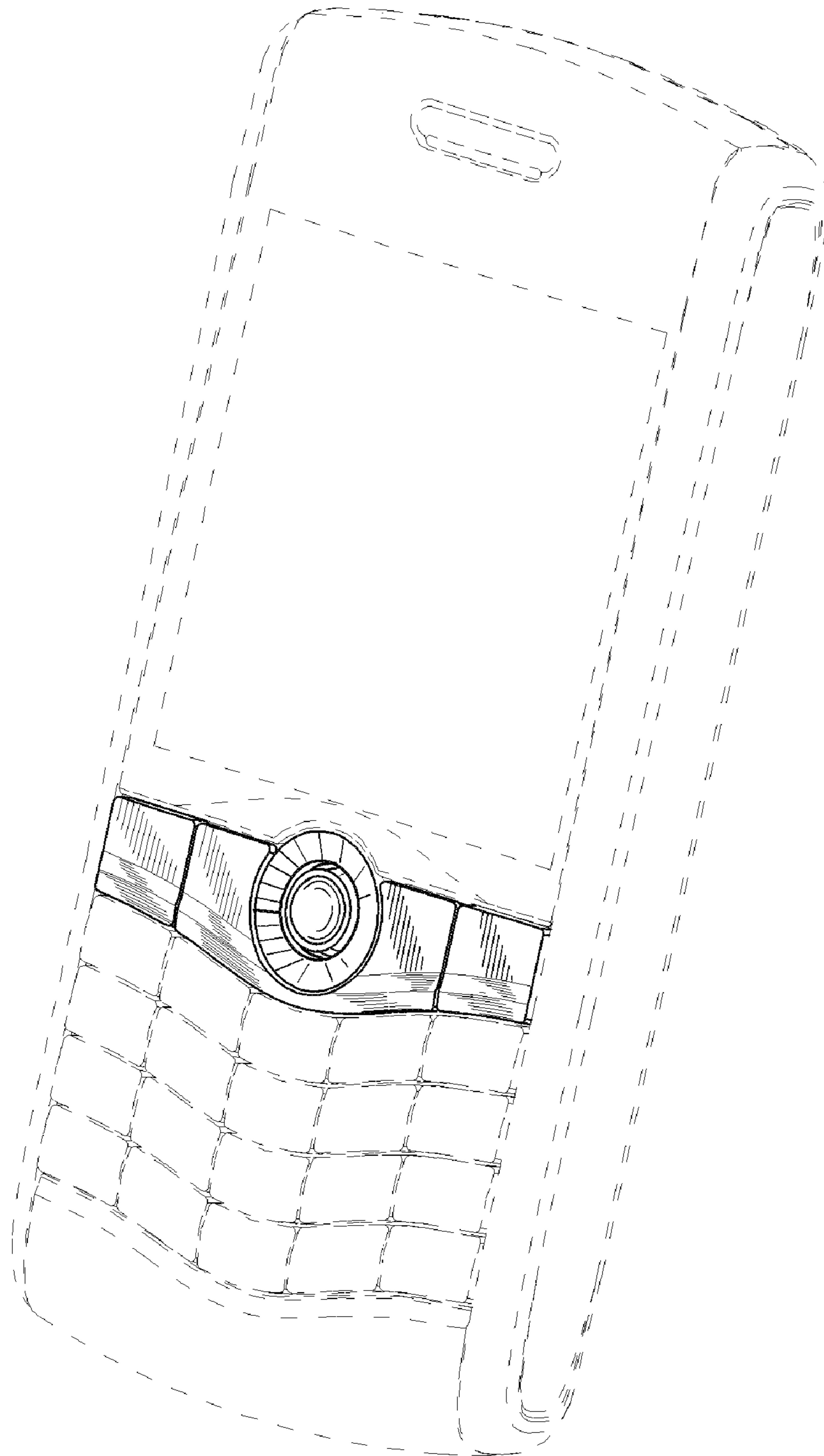


FIG. 1

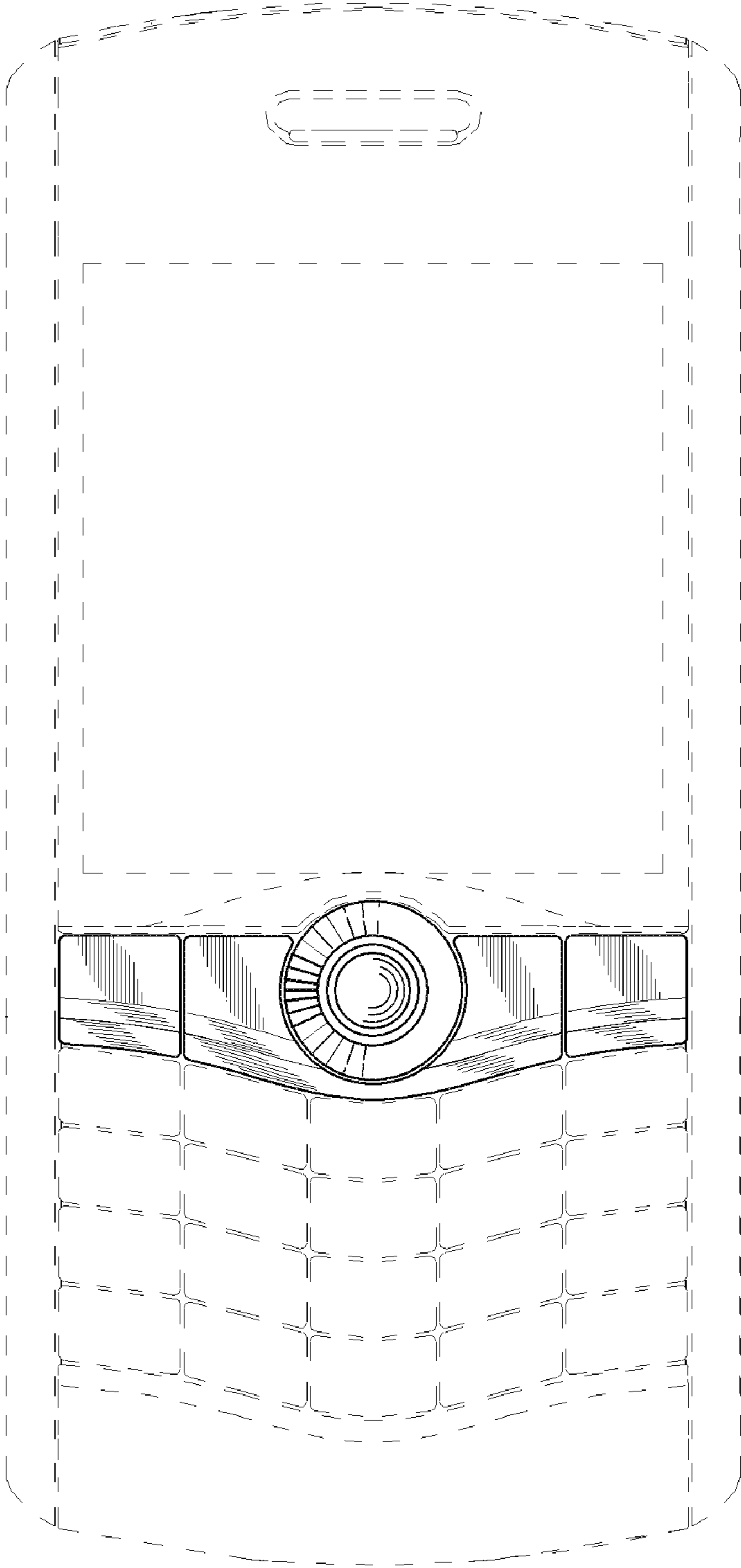


FIG.2