



US00D615086S

(12) **United States Design Patent**
Morabito

(10) **Patent No.:** **US D615,086 S**

(45) **Date of Patent:** **** May 4, 2010**

(54) **ELECTRONIC DEVICE**

D606,036 S * 12/2009 Shimada D14/138 G

(75) Inventor: **Pascal Ito Morabito**, Paris (FR)

(73) Assignee: **Deutsche Telekom AG** (DE)

FOREIGN PATENT DOCUMENTS

(**) Term: **14 Years**

DE 402008000099 S 3/2008

(21) Appl. No.: **29/329,707**

EM 898465-0001 S 6/2008

(22) Filed: **Dec. 19, 2008**

EM 898465-0002 S 6/2008

(51) **LOC (9) Cl.** **14-02**

(52) **U.S. Cl.** **D14/346; D14/392**

(Continued)

(58) **Field of Classification Search** D14/454,
D14/455, 456, 315, 320, 331, 333, 334, 338,
D14/339, 341, 342, 343, 344, 345, 346, 347,
D14/387, 390, 391, 392, 393, 394, 395, 396,
D14/397, 398, 399, 400, 401, 406, 429, 432,
D14/439, 457, 460, 461, 247, 150, 218, 900,
D14/901, 902, 137, 138 R, 138 AA, 138 AB,
D14/138 AC, 138 AD, 138 C, 138 G; D21/333,
D21/329, 331; D18/1, 2, 7, 52, 25, 29; D13/138,
D13/171; 400/88, 109, 110, 111, 484, 485,
400/486, 487, 488, 490, 492, 493, 494, 496,
400/904; 345/168, 169, 170, 171; 455/556.1,
455/556.2; D20/11, 22, 27

Primary Examiner—Cathron C Brooks

Assistant Examiner—Angela J Lee

(74) *Attorney, Agent, or Firm*—Lovells LLP

See application file for complete search history.

(57) **CLAIM**

The ornamental design for an electronic device, as shown and described.

DESCRIPTION

(56) **References Cited**

U.S. PATENT DOCUMENTS

- D235,209 S * 5/1975 Baughman D18/7
- D282,663 S * 2/1986 Scheid D14/346
- D303,521 S * 9/1989 Savio et al. D14/346
- D332,776 S * 1/1993 Kelly et al. D14/346
- D480,726 S * 10/2003 Yokota D14/396
- 6,965,373 B1 * 11/2005 Clapper 345/169
- 7,016,182 B2 * 3/2006 Brandenburg et al. .. 361/679.06
- D532,415 S * 11/2006 Chen et al. D14/247
- D533,172 S * 12/2006 Lee et al. D14/240
- D533,173 S * 12/2006 Lee et al. D14/247
- D567,240 S * 4/2008 Griffin D14/392
- D582,423 S * 12/2008 Ikeda et al. D14/455

FIG. 1 is a perspective view from top front side of an ornamental design for an electronic device;

FIG. 2 is a perspective view from bottom front side of the design shown in FIG. 1;

FIG. 3 is a front view of the design shown in FIG. 1;

FIG. 4 is a rear view of the design shown in FIG. 1;

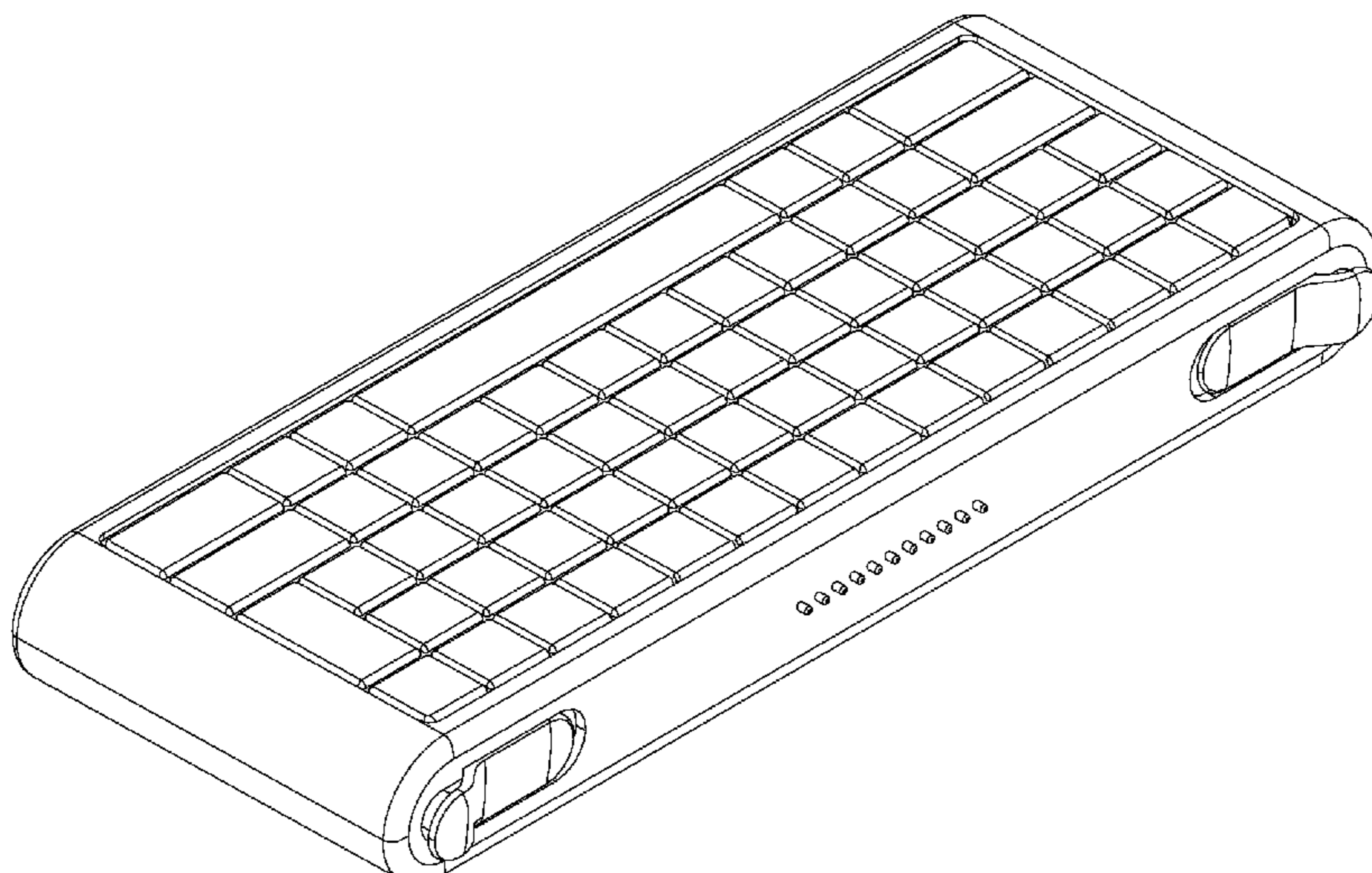
FIG. 5 is a top side view of the design shown in FIG. 1;

FIG. 6 is a bottom side view of the design shown in FIG. 1;

FIG. 7 is a left side view of the design shown in FIG. 1; and,

FIG. 8 is a right side view of the design shown in FIG. 1.

1 Claim, 8 Drawing Sheets



US D615,086 S

Page 2

FOREIGN PATENT DOCUMENTS					
			EM	898465-0010 S	6/2008
			EM	898465-0011 S	6/2008
			EM	898465-0012 S	6/2008
			EM	898465-0013 S	6/2008
			EM	902663-0005 S	7/2008
			EM	1013874-0002 S	10/2008
			EM	1013874-0004 S	10/2008
			* cited by examiner		
EM	898465-0003 S	6/2008			
EM	898465-0004 S	6/2008			
EM	898465-0005 S	6/2008			
EM	898465-0006 S	6/2008			
EM	898465-0007 S	6/2008			
EM	898465-0008 S	6/2008			
EM	898465-0009 S	6/2008			

FIG. 1

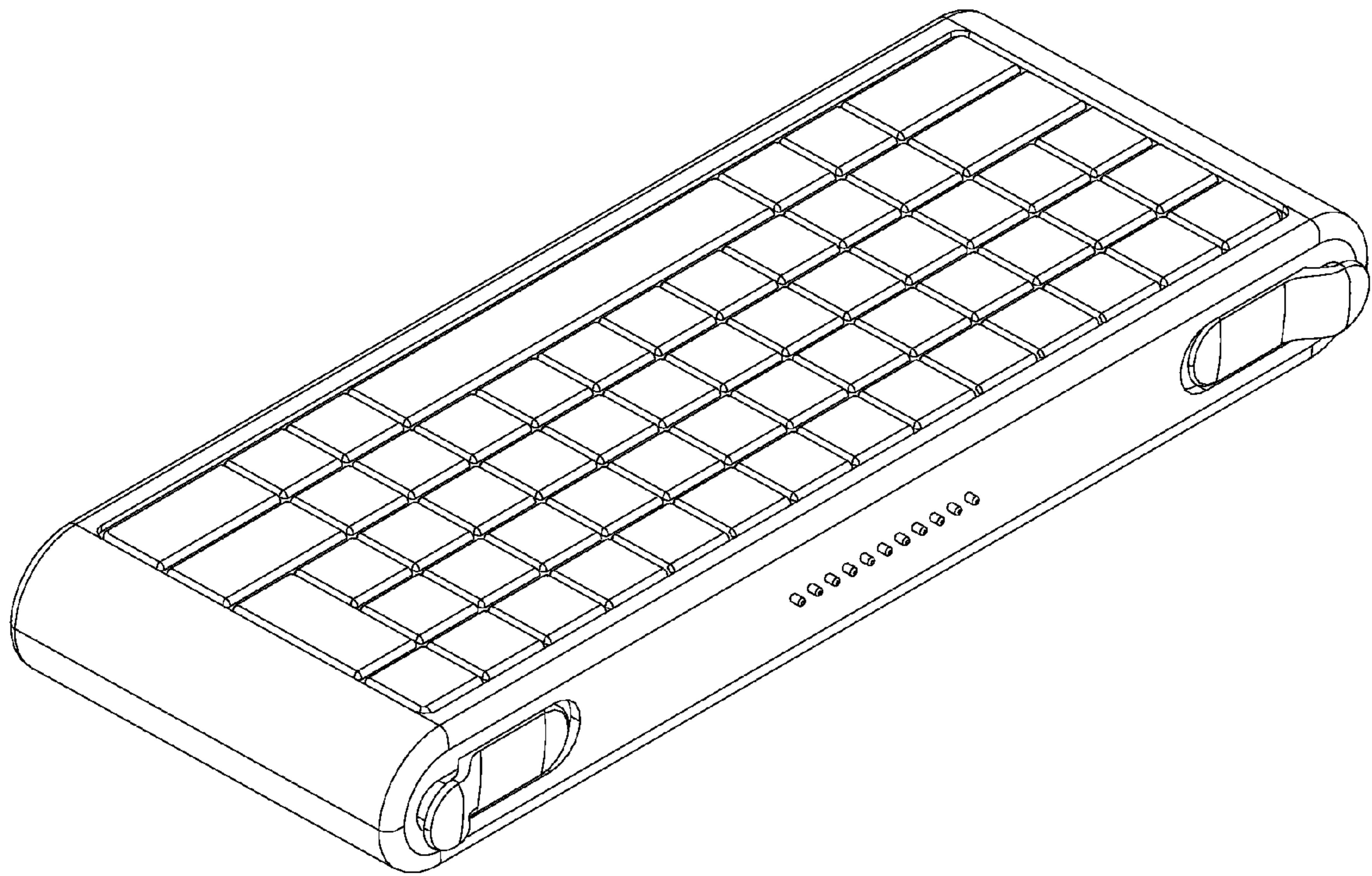


FIG. 2

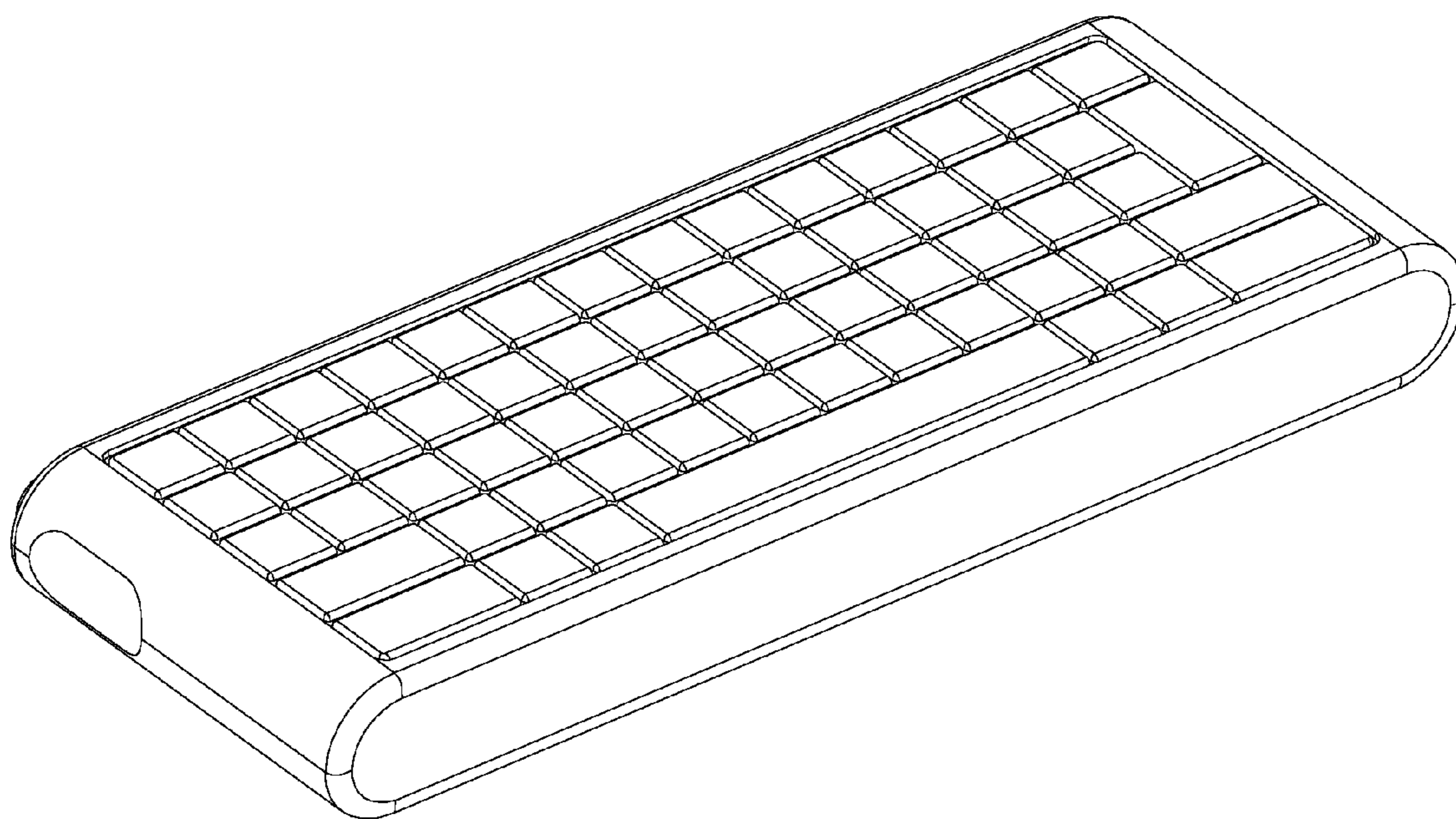


FIG. 3

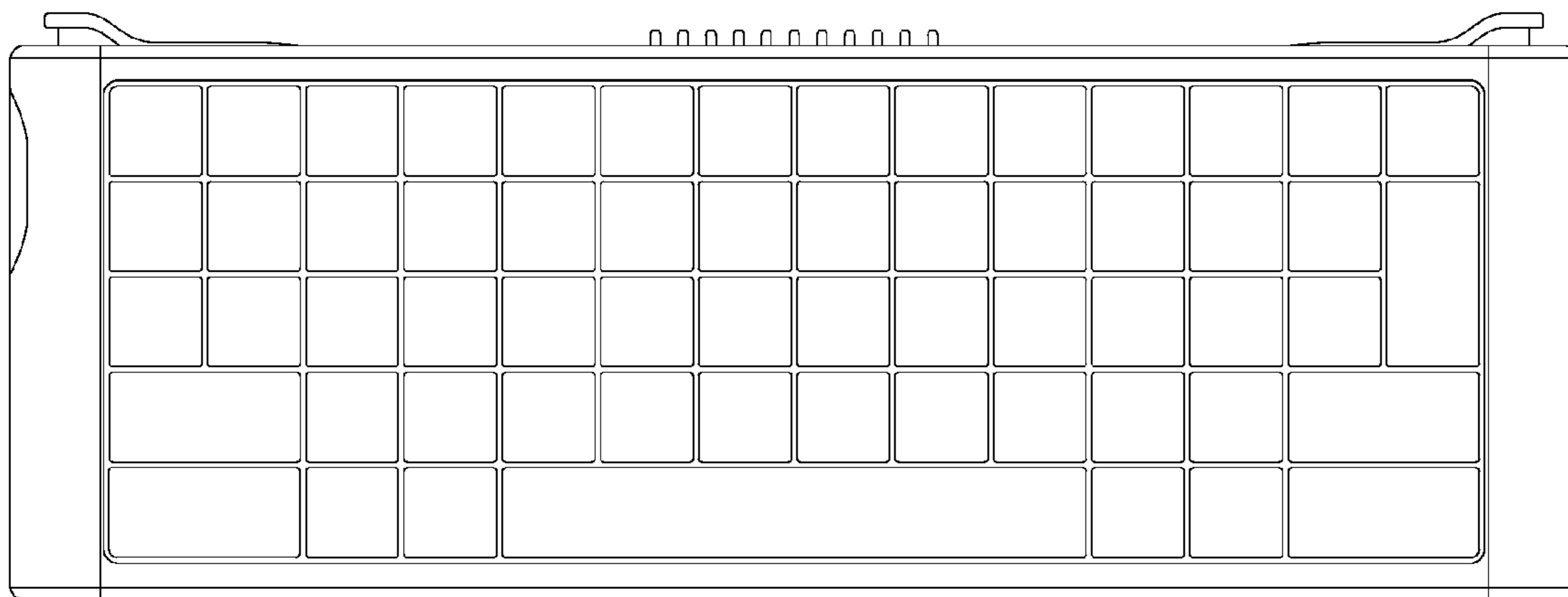


FIG. 4

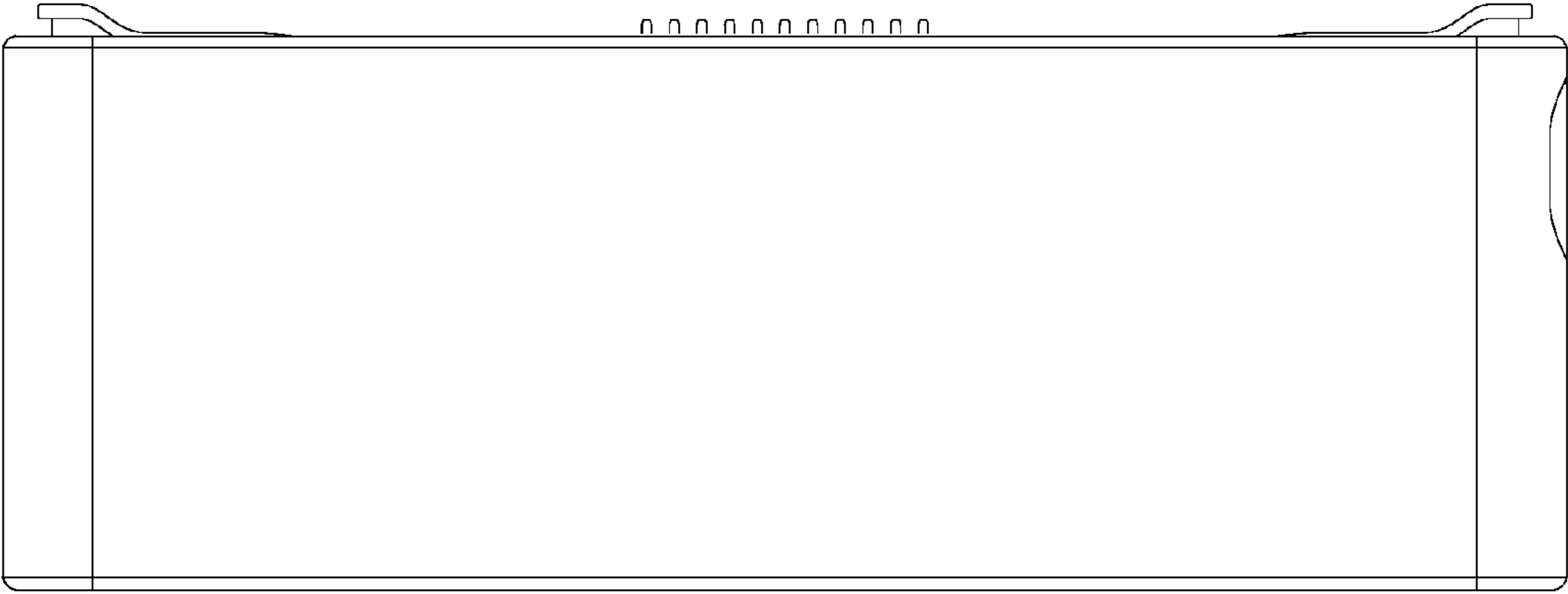


FIG. 5

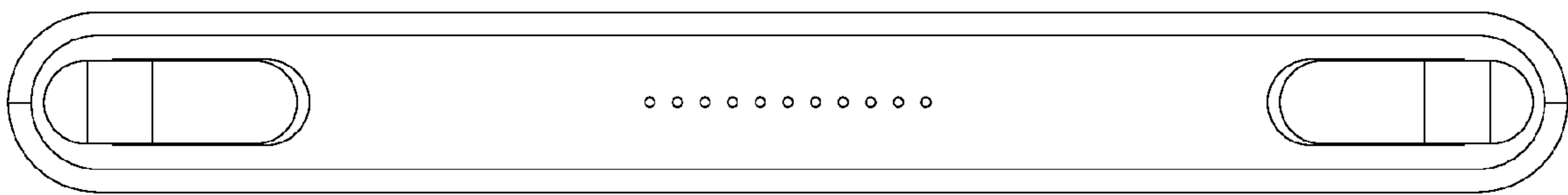


FIG. 6

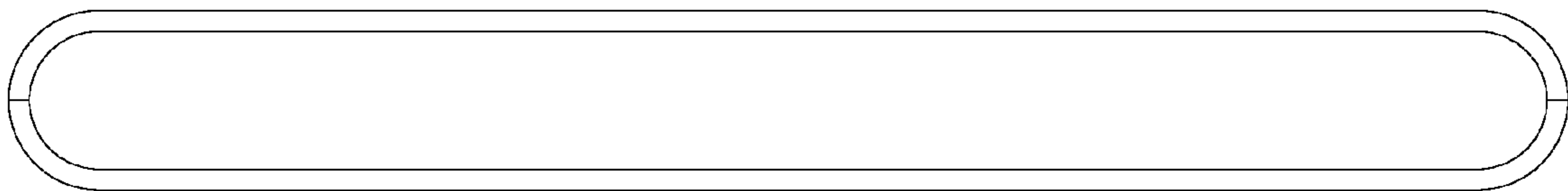


FIG. 7

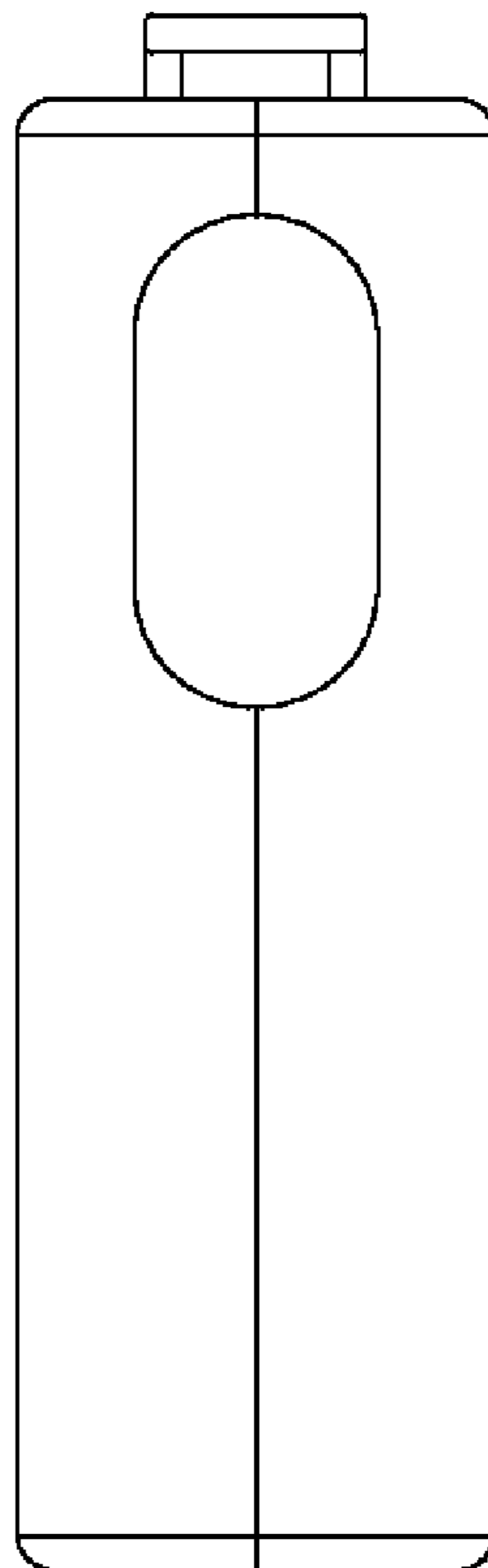


FIG. 8

