



US00D615085S

(12) **United States Design Patent**
Ma et al.

(10) **Patent No.:** **US D615,085 S**
(45) **Date of Patent:** **** May 4, 2010**

(54) **PERSONAL DIGITAL ASSISTANT**

(76) Inventors: **David Ming-Lun Ma**, 54 Wild Indigo Cres., Brampton ON (CA); **Stephen Bayley**, 25 West End Gardens, Northolt Middlesex (GB); **Benjamin Cullen**, 42 The Watergarden, Narrow Street, London (GB) E14 8BY; **Chris Jakob**, 127 Bathurst Gardens, London (GB) NW10 5J5; **Jim Fullalove**, Reigate Road, Weatherhead Southwing, Shelley House, Surrey (GB) K722 8RA; **Martin Riddiford**, 93 Calton Avenue, London (GB) 8E21 7DF

(**) Term: **14 Years**

(21) Appl. No.: **29/284,385**

(22) Filed: **Sep. 6, 2007**

(30) **Foreign Application Priority Data**

Mar. 7, 2007 (CA) 119811

(51) **LOC (9) Cl.** **14-02**

(52) **U.S. Cl.** **D14/346; D14/429**

(58) **Field of Classification Search** D14/341, D14/342, 343, 344, 345, 346, 347, 138, 138 R, D14/138 AA, 138 AB, 138 AC, 138 AD, D14/138 C, 138 G, 315, 316, 320, 331, 333, D14/334, 335, 338, 339, 340, 387, 390, 391, D14/392, 393, 394, 395, 396, 397, 398, 399, D14/400, 401, 406, 420, 426, 427, 428, 429, D14/432, 439, 440, 441, 453, 454, 455, 456, D14/457, 496, 130, 137, 142, 150, 151; D14/203.1, D14/203.3, 203.4, 203.5, 203.6, 203.7, 238.1, D14/247, 248, 250, 902, 218, 125, 126; D13/168, D13/171; D18/7; D21/324, 329, 330, 331, D21/333; D10/65; 455/556.1, 556.2, 566, 455/575.1, 575.3, 575.4, 90.3; 341/22; 379/433.04, 379/433.06, 433.07, 433.11, 433.12, 433.13, 379/910, 915, 916; 348/14.02, 207.1, 552; 345/169, 168, 901

See application file for complete search history.

(56) **References Cited**

U.S. PATENT DOCUMENTS

D436,591 S * 1/2001 Abston et al. D14/341
D518,043 S * 3/2006 Barness et al. D14/346

(Continued)

Primary Examiner—Jennifer Rivard

Assistant Examiner—Angela J Lee

(74) *Attorney, Agent, or Firm*—Pearne & Gordon LLP

(57) **CLAIM**

The ornamental design for a personal digital assistant, as shown and described.

DESCRIPTION

FIG. 1 is a front elevation view of a personal digital assistant showing our new design;

FIG. 2 is a rear elevation view thereof;

FIG. 3 is a left side elevation view thereof;

FIG. 4 is a right side elevation view thereof;

FIG. 5 is a top plan view thereof;

FIG. 6 is a bottom plan view thereof;

FIG. 7 is a front elevation view of a second embodiment of a personal digital assistant;

FIG. 8 is a rear elevation view thereof;

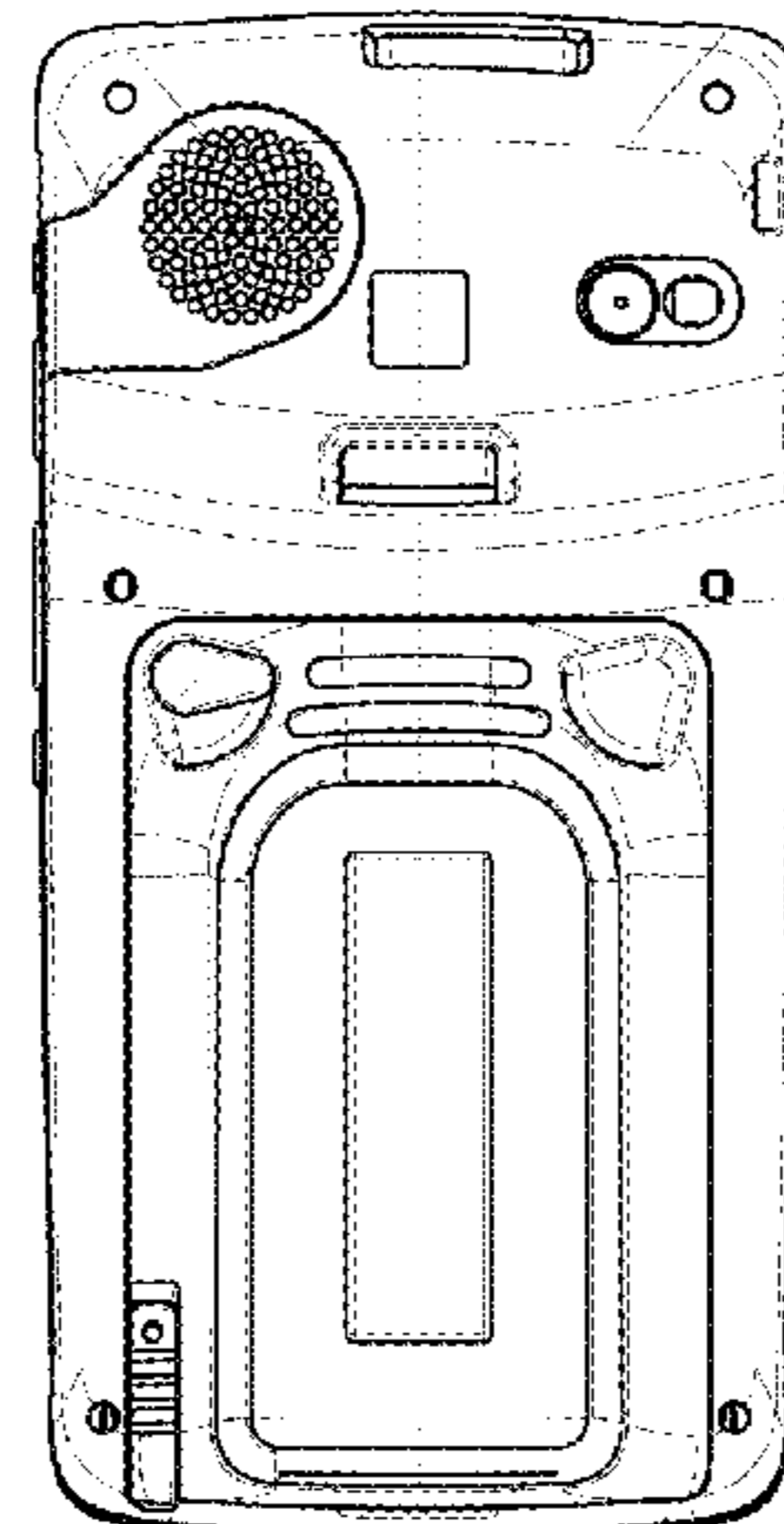
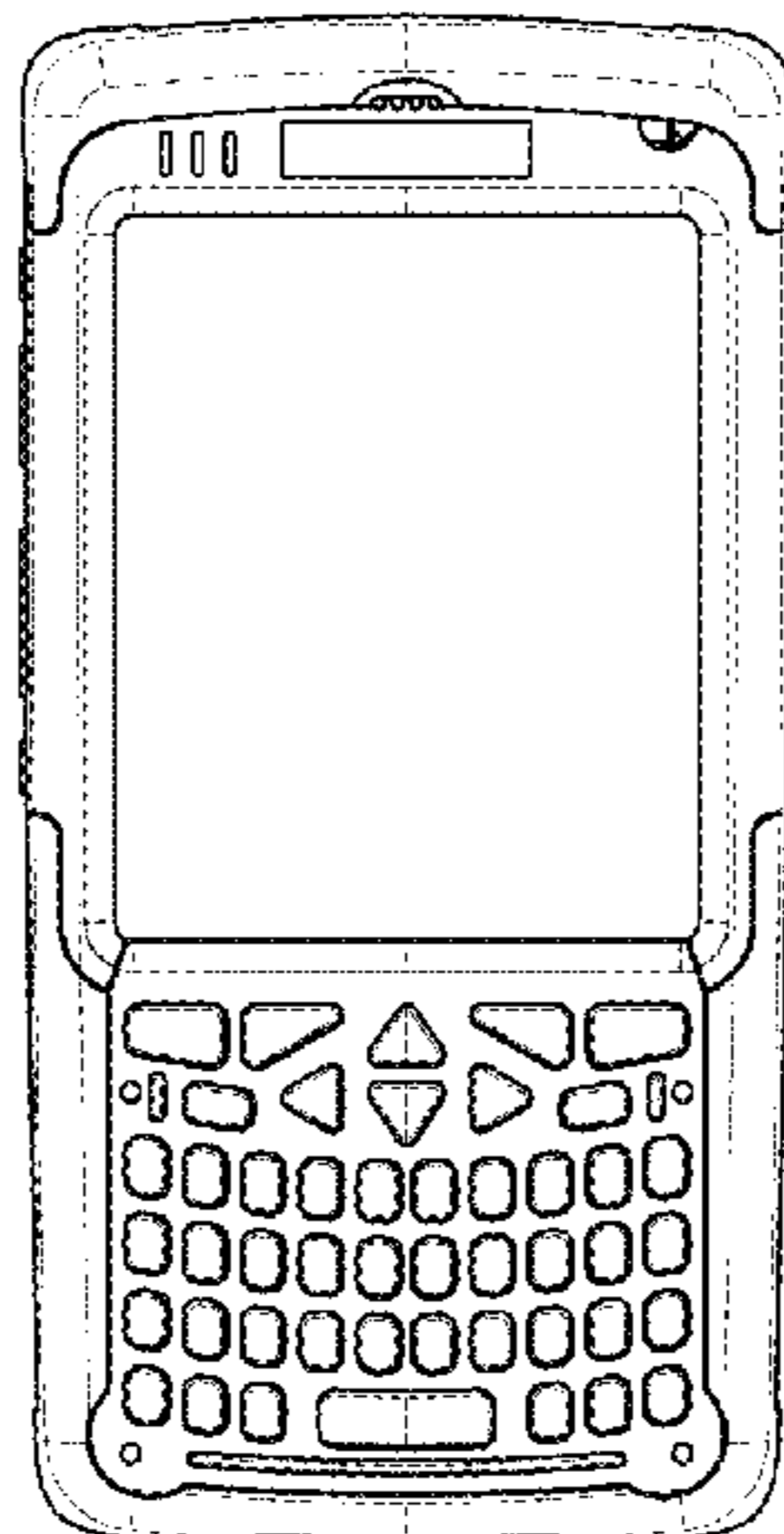
FIG. 9 is a left side elevation view thereof;

FIG. 10 is a right side elevation view thereof;

FIG. 11 is a top plan view thereof; and,

FIG. 12 is a bottom plan view thereof.

1 Claim, 8 Drawing Sheets



US D615,085 S

Page 2

U.S. PATENT DOCUMENTS

D525,223 S *	7/2006	Griffin	D14/138 AA	D556,750 S *	12/2007	Fitch et al.	D14/346
D529,943 S *	10/2006	Chiu et al.	D18/4.4	D579,017 S *	10/2008	Su	D14/426
D531,177 S *	10/2006	Okanoya et al.	D14/346	D579,018 S *	10/2008	Su et al.	D14/426
D548,218 S *	8/2007	Hong et al.	D14/138 AA	D581,421 S *	11/2008	Richardson et al.	D14/440
D552,606 S *	10/2007	Swanson et al.	D14/346	2006/0209032 A1 *	9/2006	Chiang et al.	345/169
				2008/0297479 A1 *	12/2008	Yeh	345/169

* cited by examiner



FIG. 1

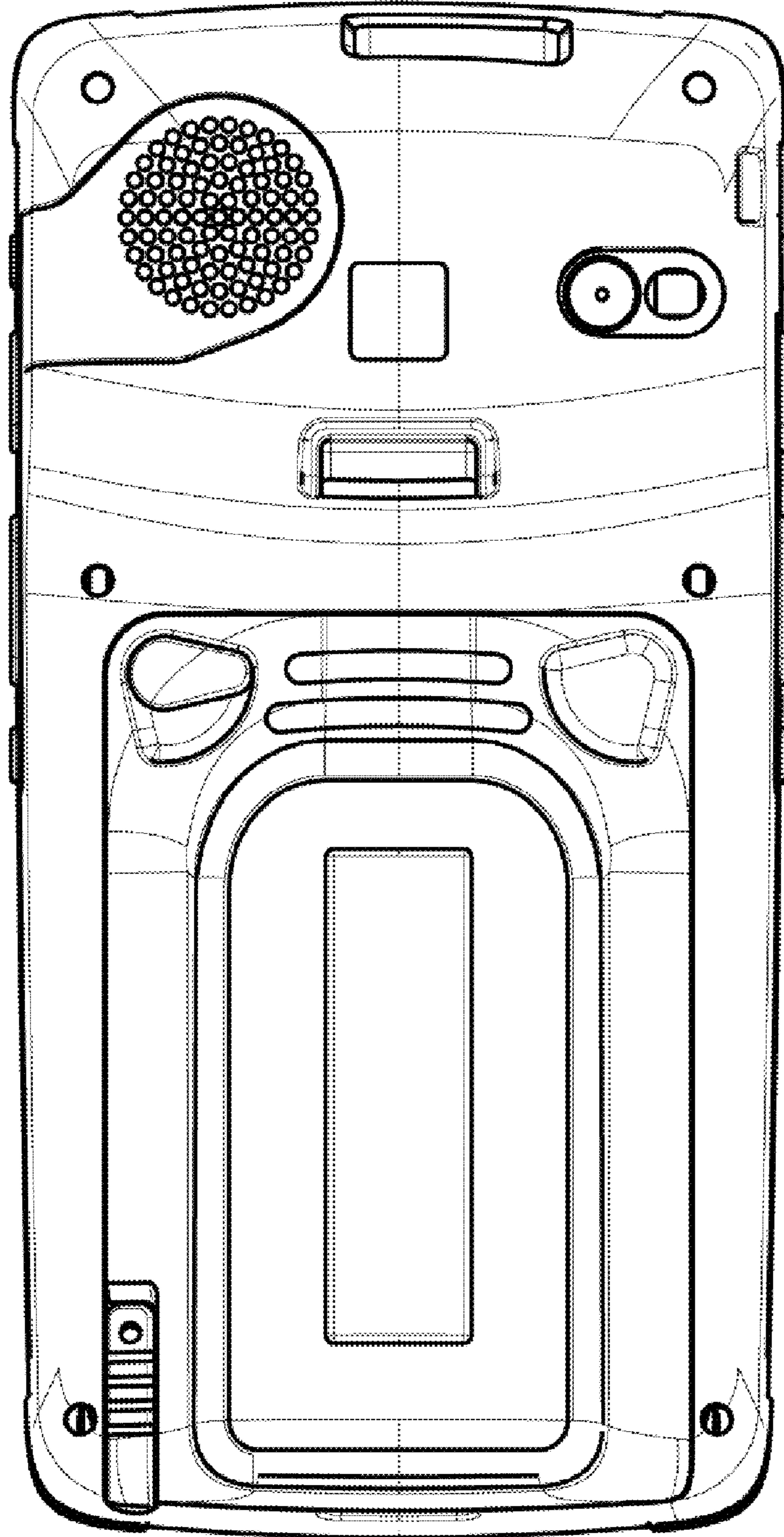


FIG. 2

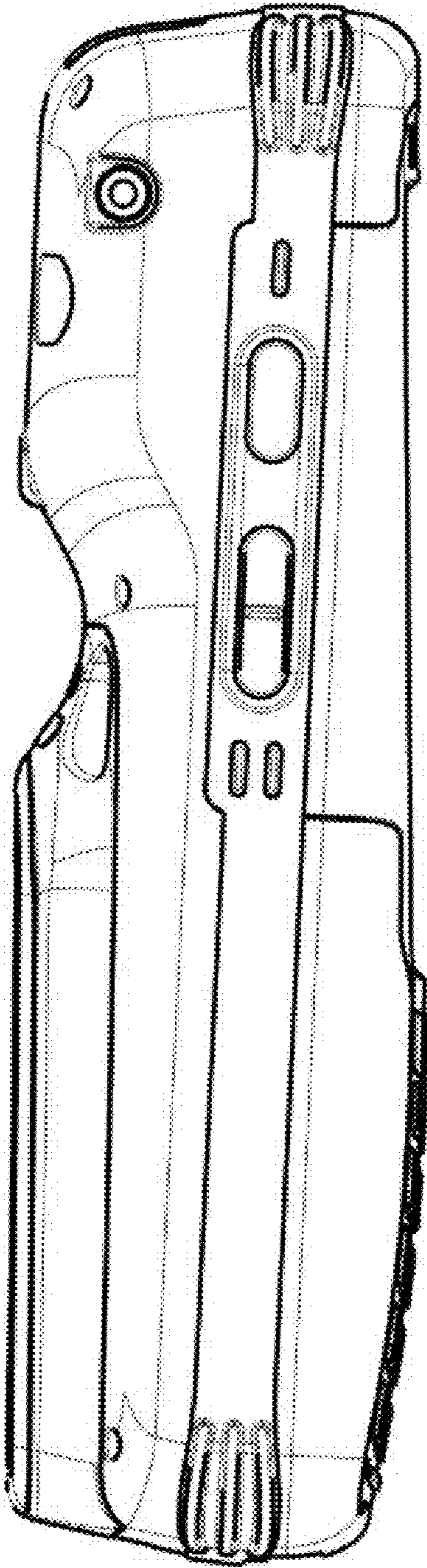


FIG. 3

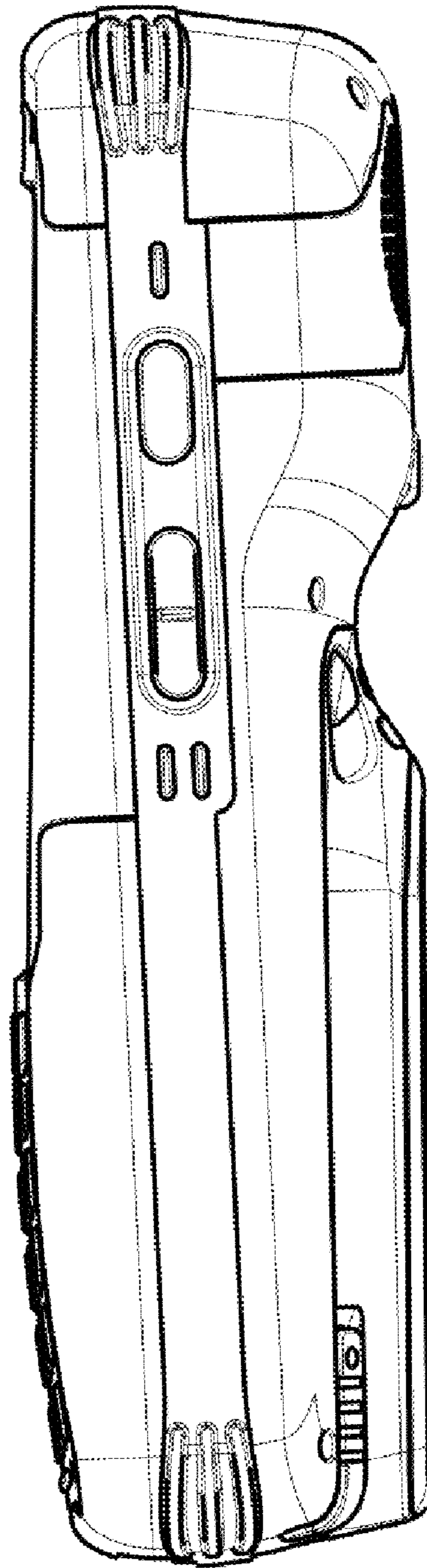


FIG. 4

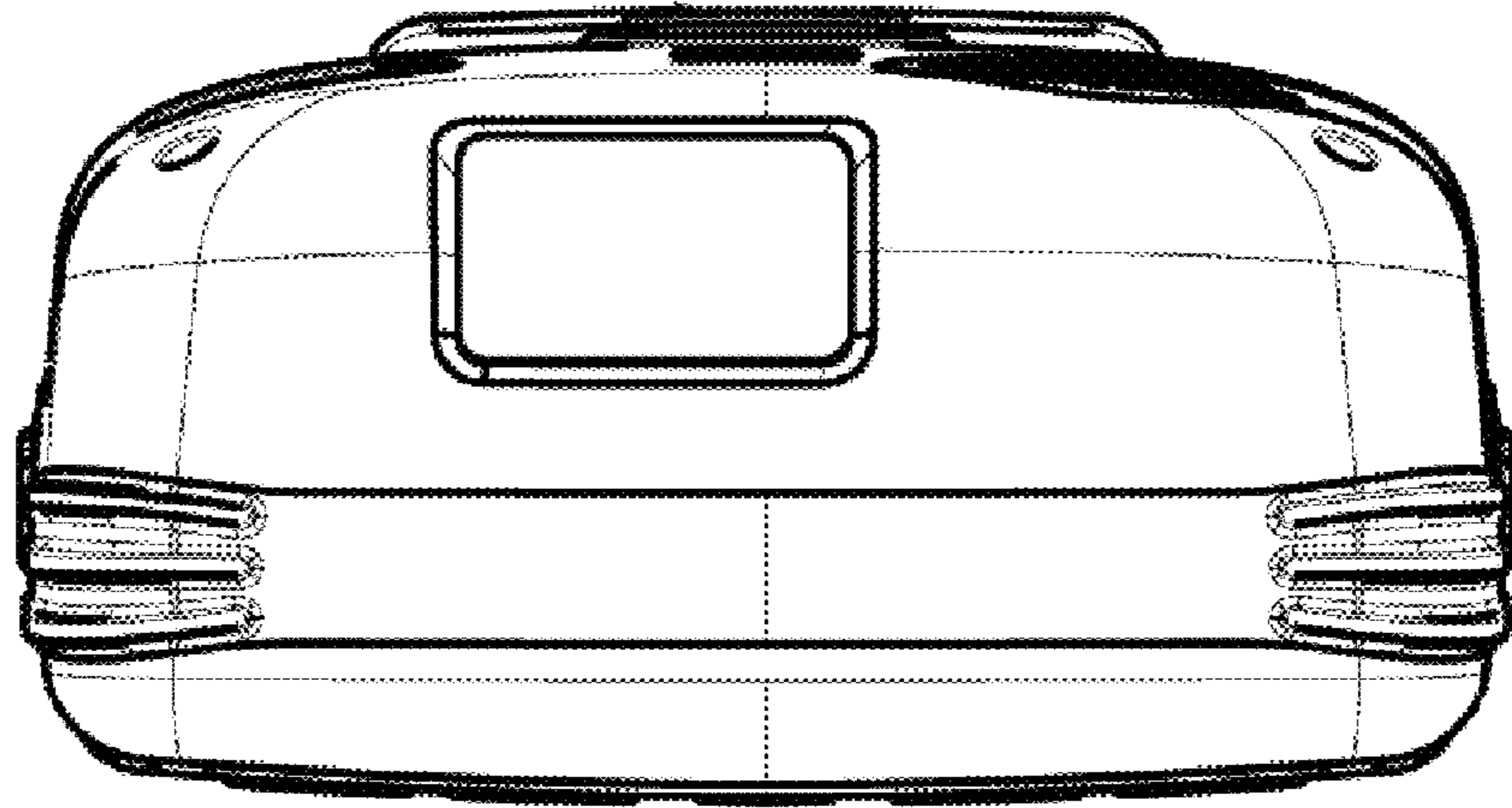


FIG. 5

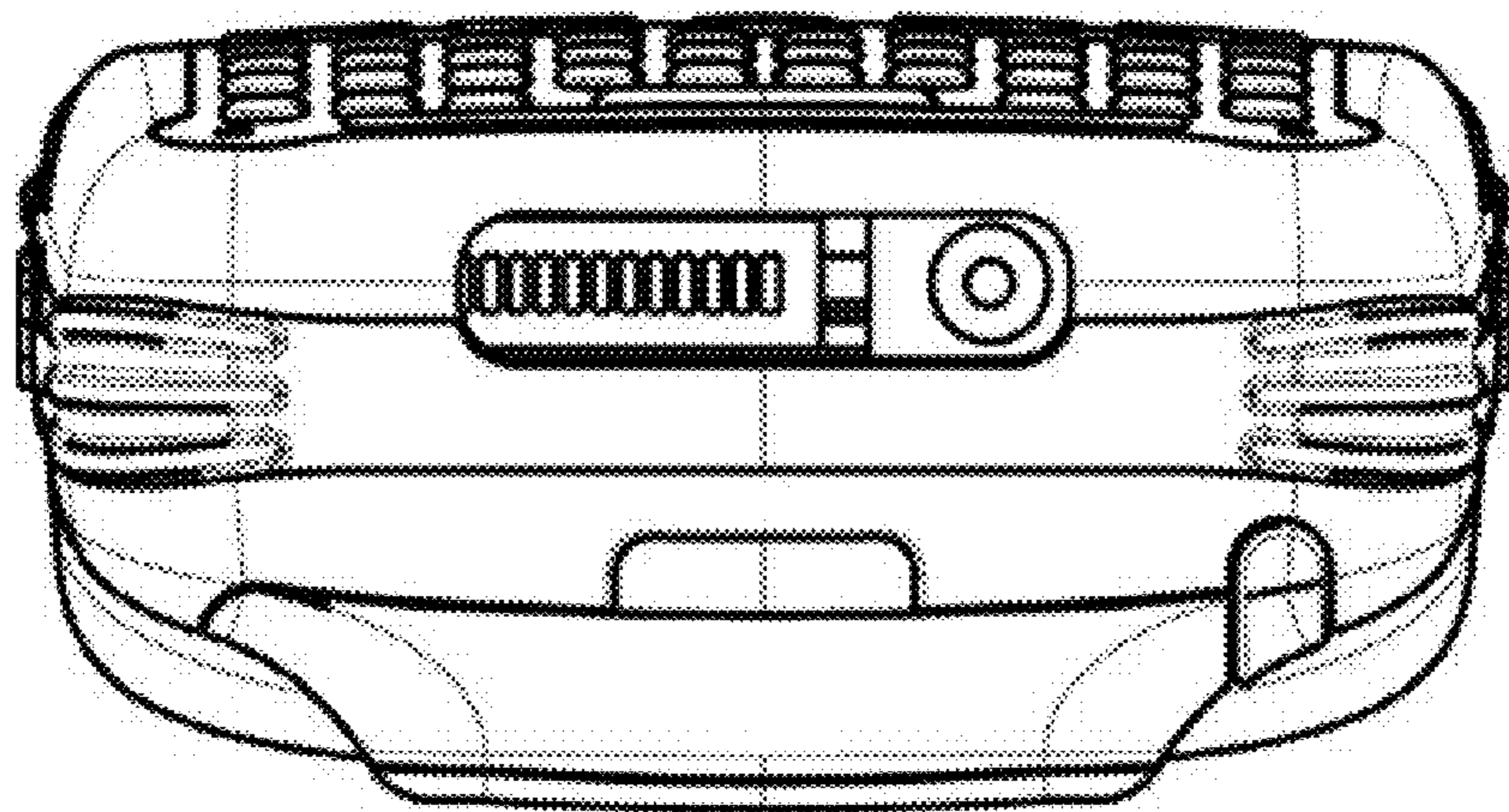


FIG. 6



FIG. 7

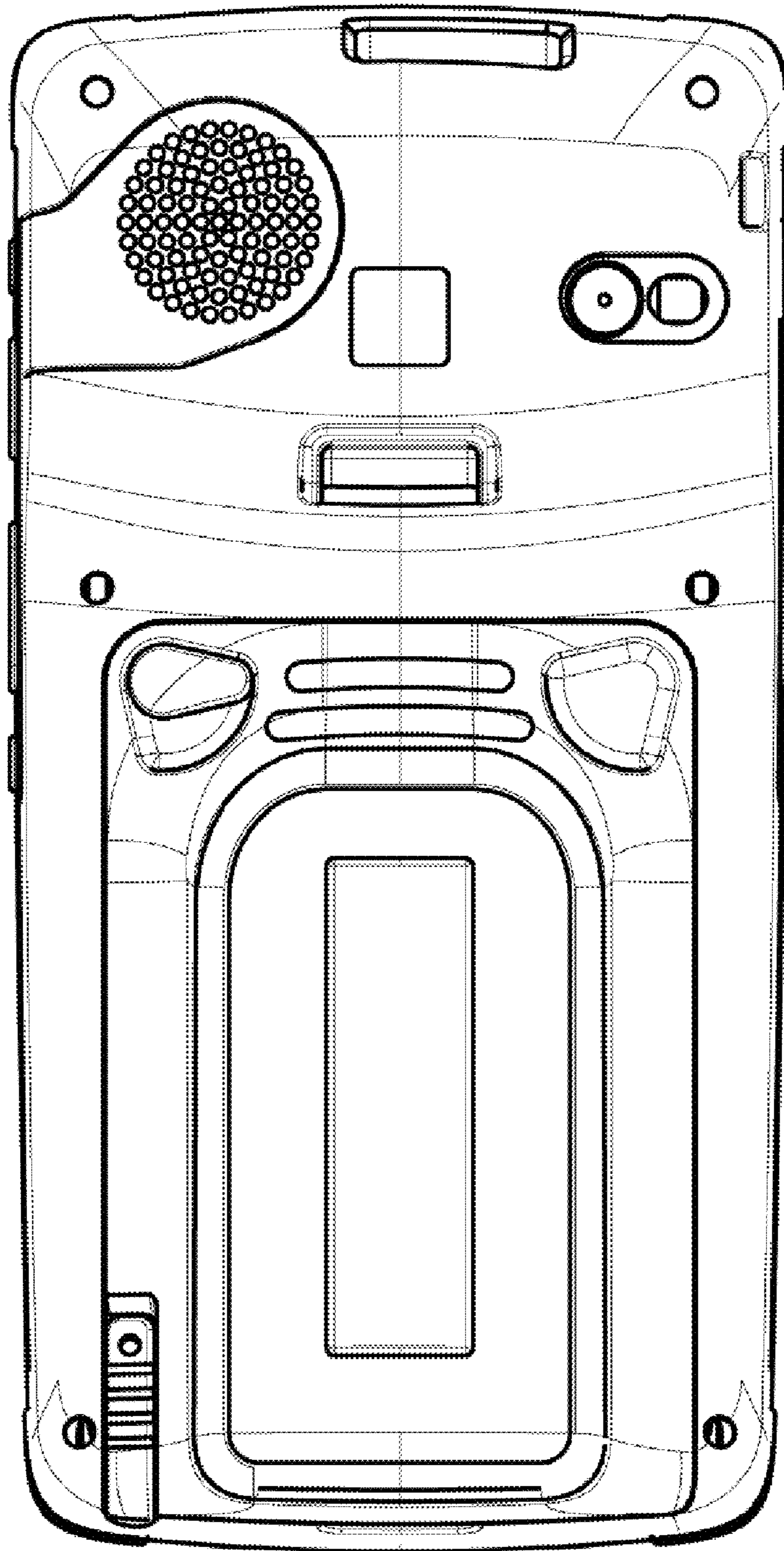


FIG. 8

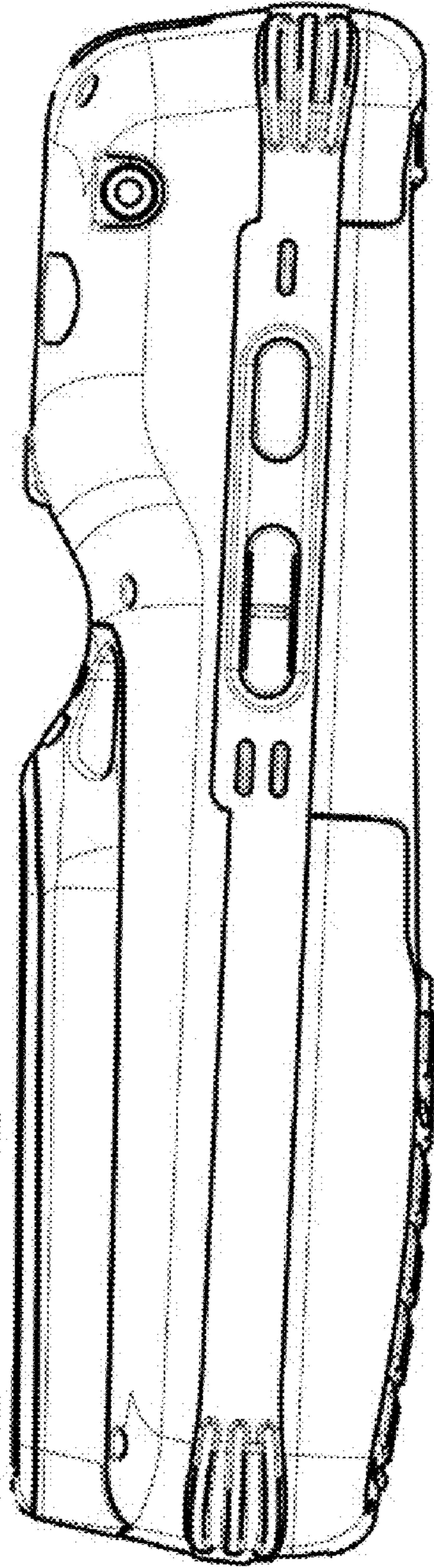


FIG. 9

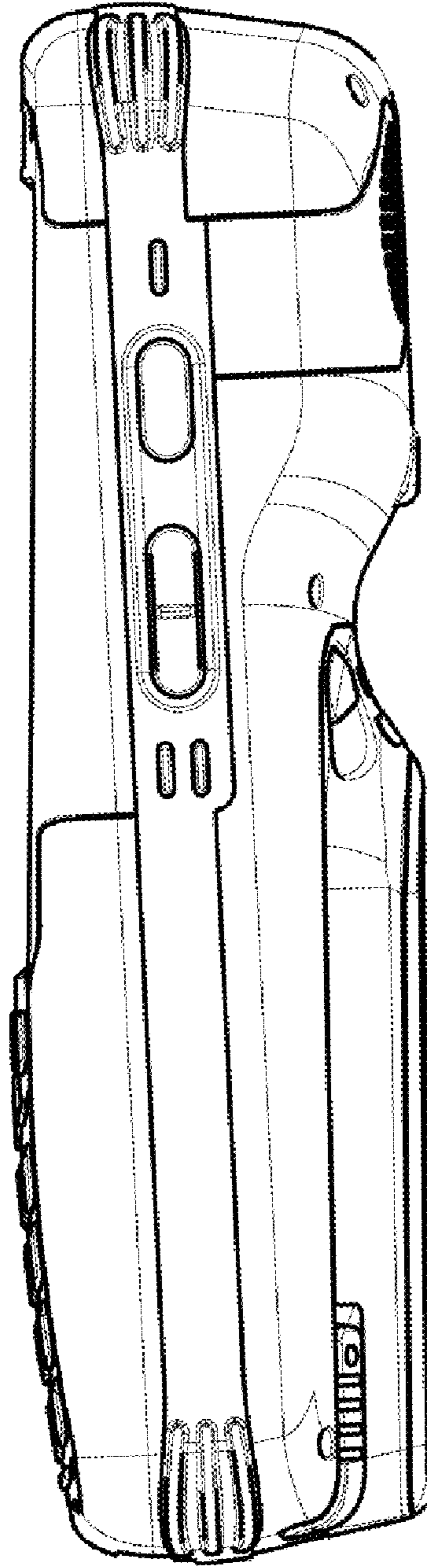


FIG. 10

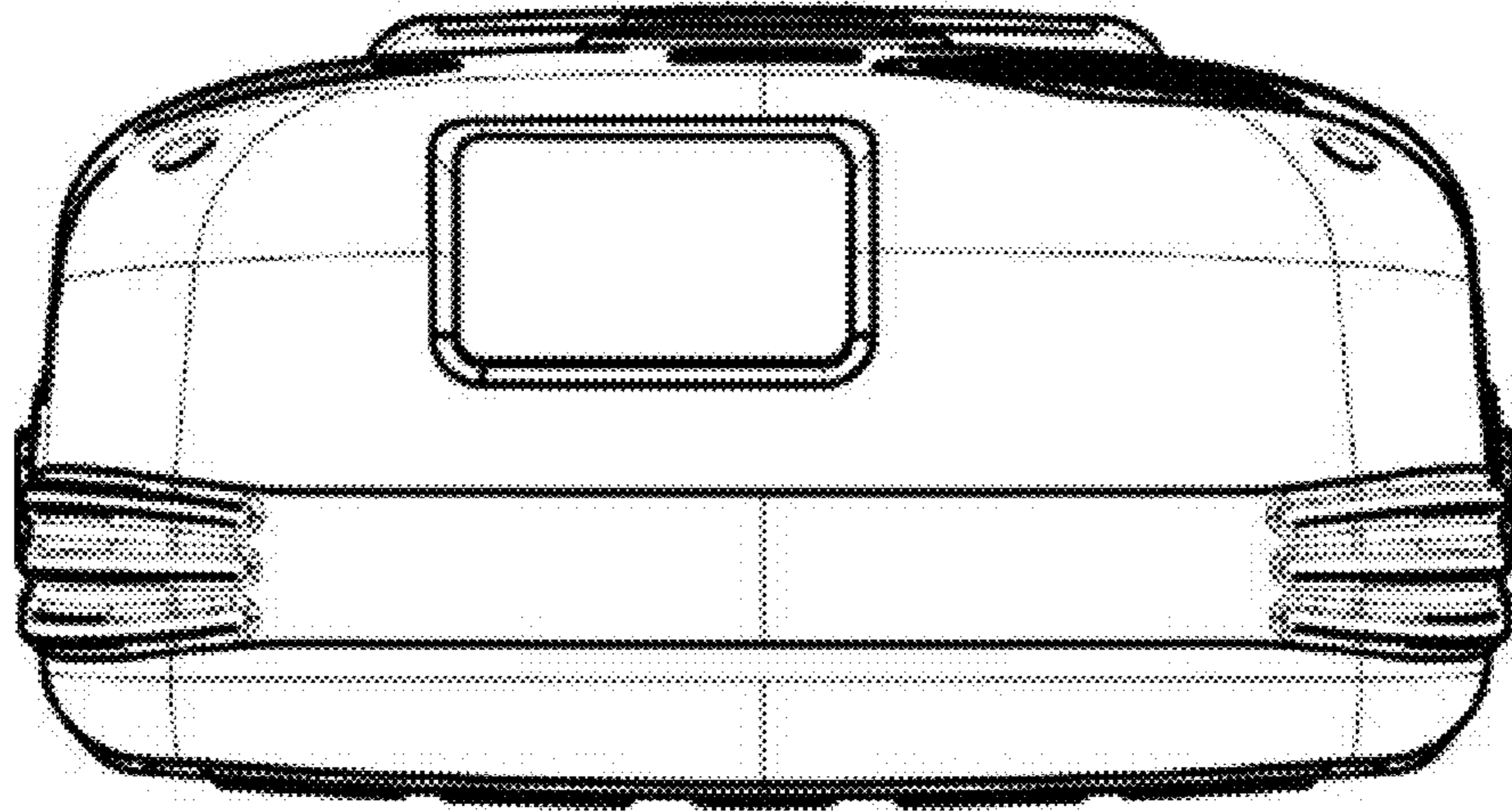


FIG. 11

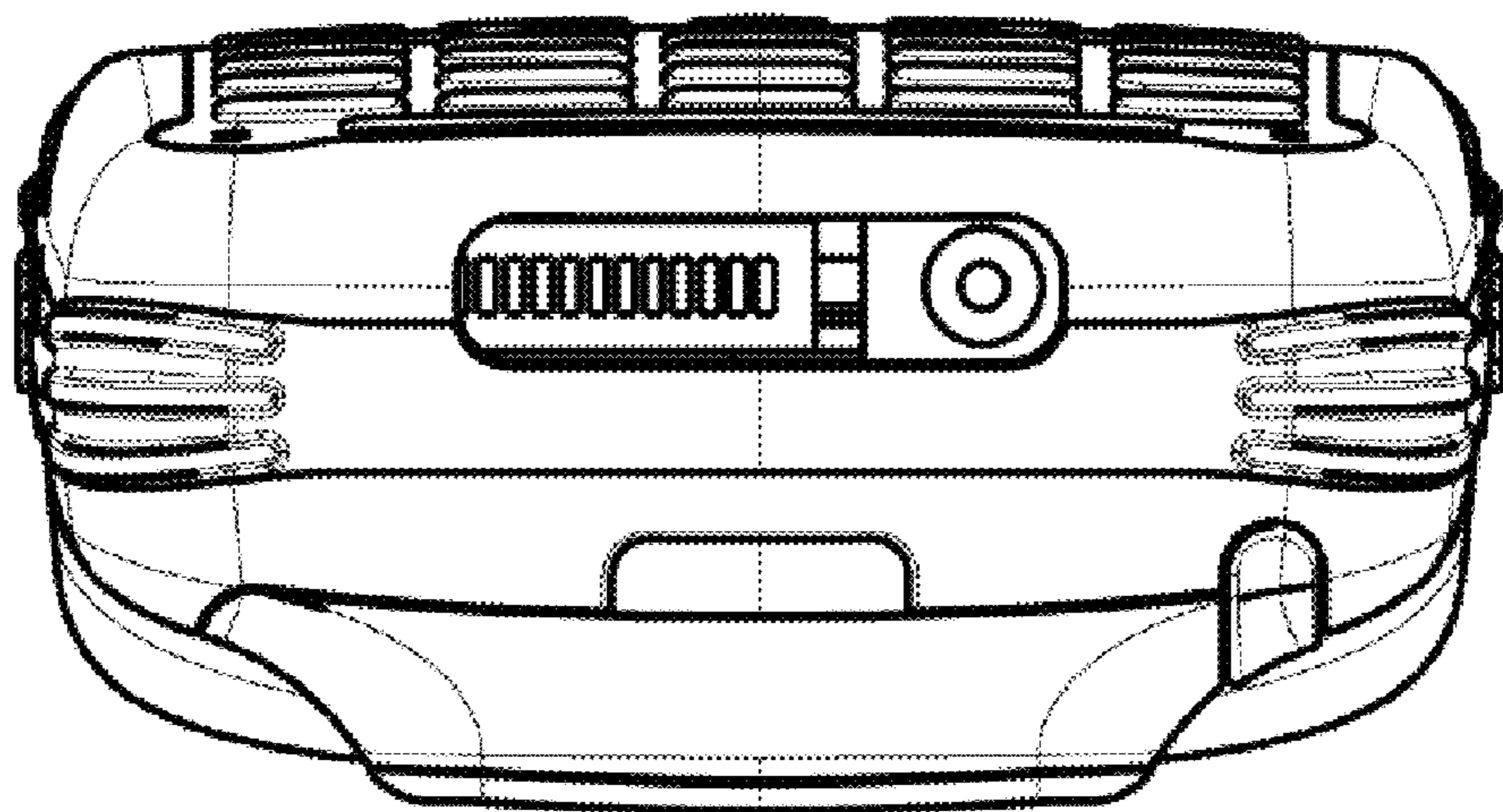


FIG. 12