



US00D615084S

(12) **United States Design Patent**
Burton et al.

(10) **Patent No.:** **US D615,084 S**

(45) **Date of Patent:** **** May 4, 2010**

(54) **ELECTRONIC CONTROLLER DEVICE**

(75) Inventors: **Jared Burton**, Payson, UT (US); **James T. Davis, II**, Springville, UT (US); **Matthew B. Strong**, Pleasant Grove, UT (US)

(73) Assignee: **Provo Craft and Novelty, Inc.**, Spanish Fork, UT (US)

(**) Term: **14 Years**

(21) Appl. No.: **29/339,699**

(22) Filed: **Jul. 6, 2009**

(51) **LOC (9) Cl.** **14-02**

(52) **U.S. Cl.** **D14/341**

(58) **Field of Classification Search** D14/341-347, D14/138.1, 138 AA, 138 R, 138 AB, 18 AC, D14/138 AD, 138 C, 138 G, 496, 203.1, D14/203.3, 203.4, 203.5, 203.6, 203.7, 402-411, D14/431, 417, 426, 427, 428, 432, 429, 129, D14/130, 420, 439-441, 448, 125, 137, 138, D14/147, 156, 218, 247-248, 250, 389; D10/65, D10/104; D21/324, 329, 330, 331; 455/556.1, 455/556.2, 566, 575.1, 575.3, 575.4, 90.3, 455/6.1; 379/433.04, 433.11, 433.12, 433.13, 379/910, 916, 433.01, 433.06, 433.07; 345/169, 345/901, 905; 361/814; 341/122; 346/173; 273/454-456, 459-461, 153 R, 148 R, 148 B, 273/259, 138.2, 237; 463/1, 46, 47, 47.3; D19/69; D18/34.3, 34.9

See application file for complete search history.

(56) **References Cited**

U.S. PATENT DOCUMENTS

D509,834 S * 9/2005 Kataoka D14/203.7
D515,441 S * 2/2006 Shindo D10/65

D519,116 S * 4/2006 Tanaka et al. D14/341
D522,019 S * 5/2006 Peng D14/203.7
7,092,246 B2 * 8/2006 Tanaka et al. 361/679.27
D595,711 S * 7/2009 Yoon et al. D14/341
D603,830 S * 11/2009 Webb et al. D14/138 G
2006/0258414 A1 * 11/2006 Vance et al. 455/575.7
2007/0123309 A1 * 5/2007 Sano et al. 455/566
2008/0132301 A1 * 6/2008 Kim et al. 455/575.3
2009/0009650 A1 * 1/2009 Liu et al. 348/340

* cited by examiner

Primary Examiner—Cathron C Brooks

Assistant Examiner—Barbara Fox

(74) *Attorney, Agent, or Firm*—Honigman Miller Schwartz and Cohn LLP

(57) **CLAIM**

The ornamental design for an electronic controller device, as shown and described.

DESCRIPTION

FIG. 1 is a perspective view of an electronic controller device showing our new design.

FIG. 2 is a front elevational view thereof.

FIG. 3 is a back elevational view thereof.

FIG. 4 is a right side elevational view thereof.

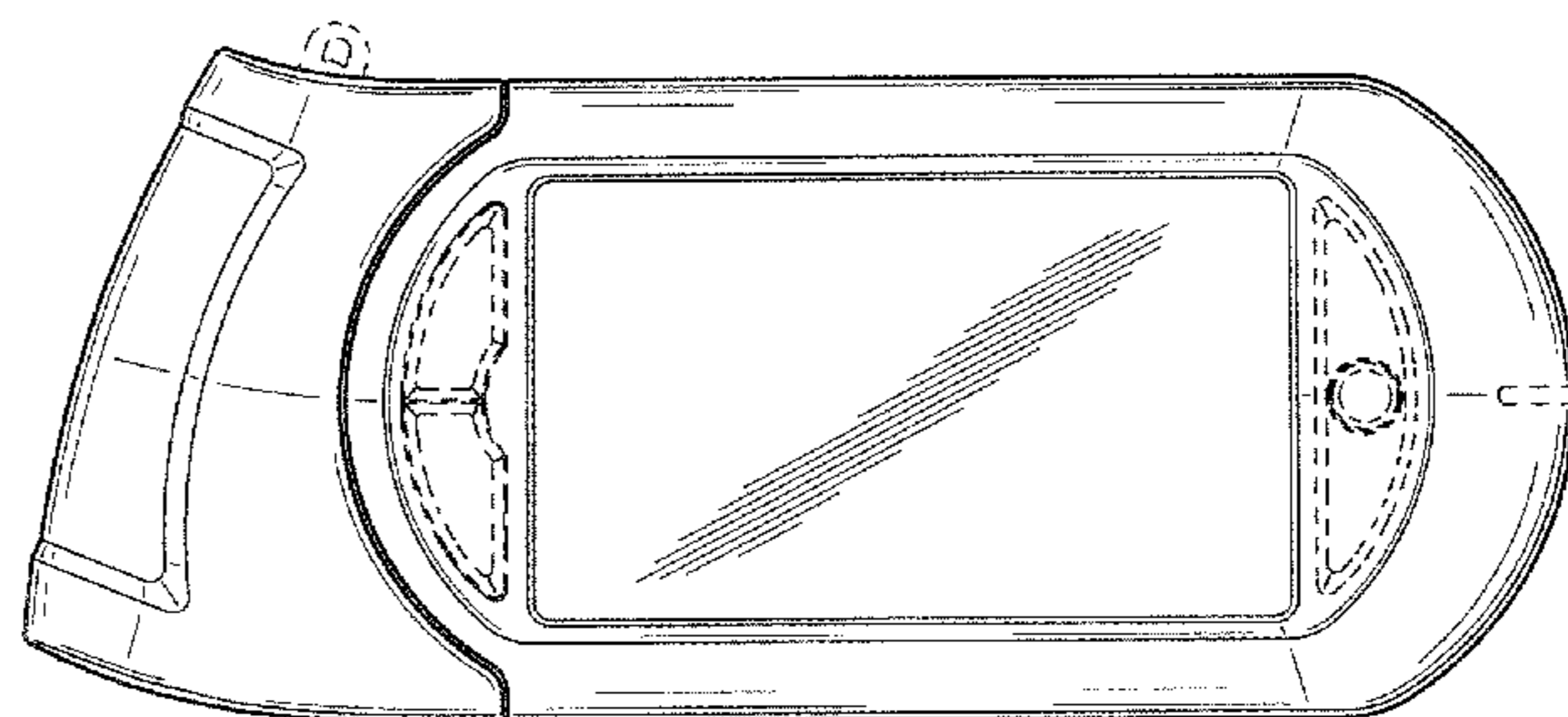
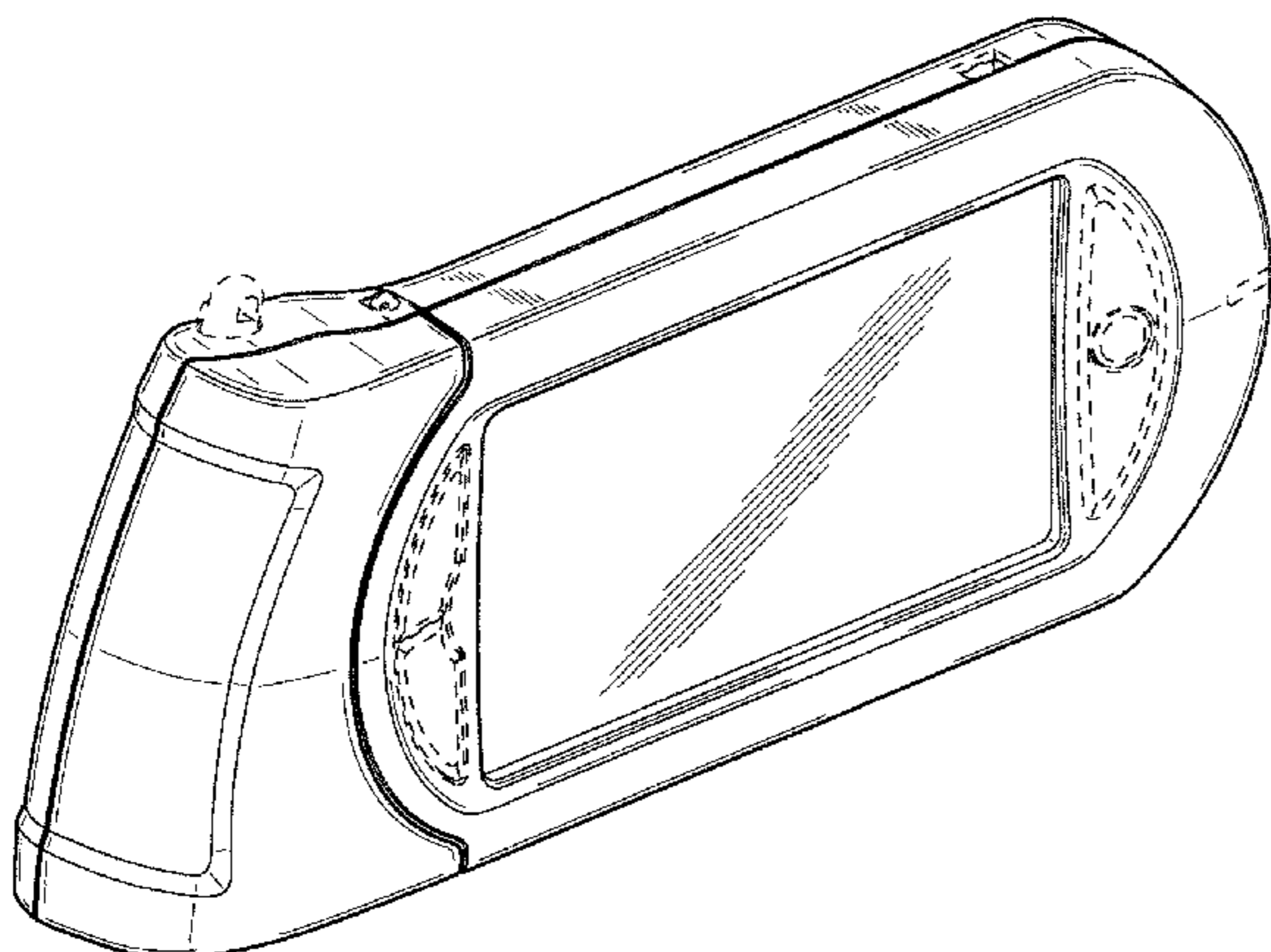
FIG. 5 is a left side elevational view thereof.

FIG. 6 is a top plan view thereof; and,

FIG. 7 is a bottom plan view thereof.

The broken lines shown in the drawings are for the purpose of illustrating unclaimed portions of the electronic controller device and form no part of the claimed design.

1 Claim, 4 Drawing Sheets



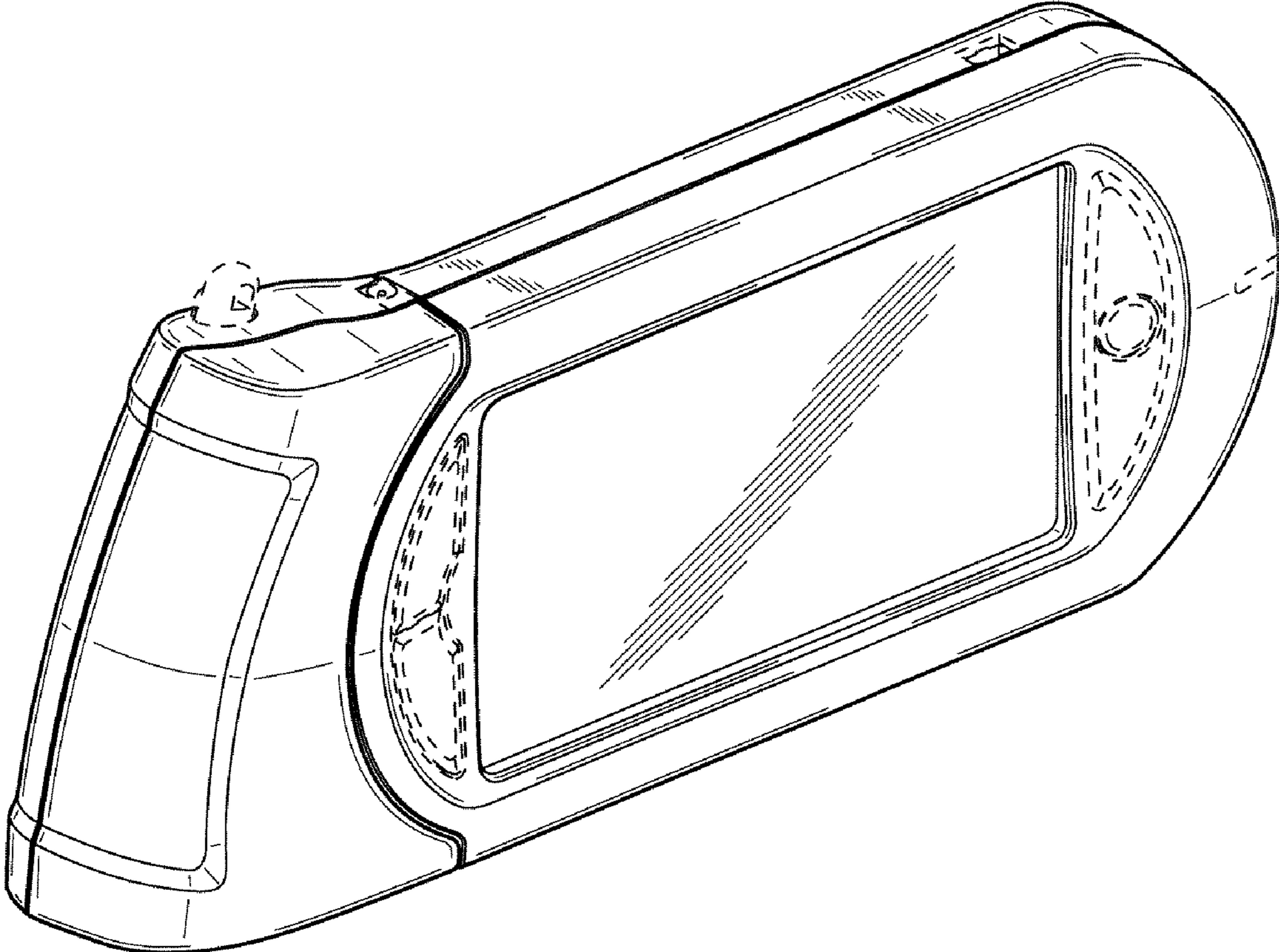


FIG. 1

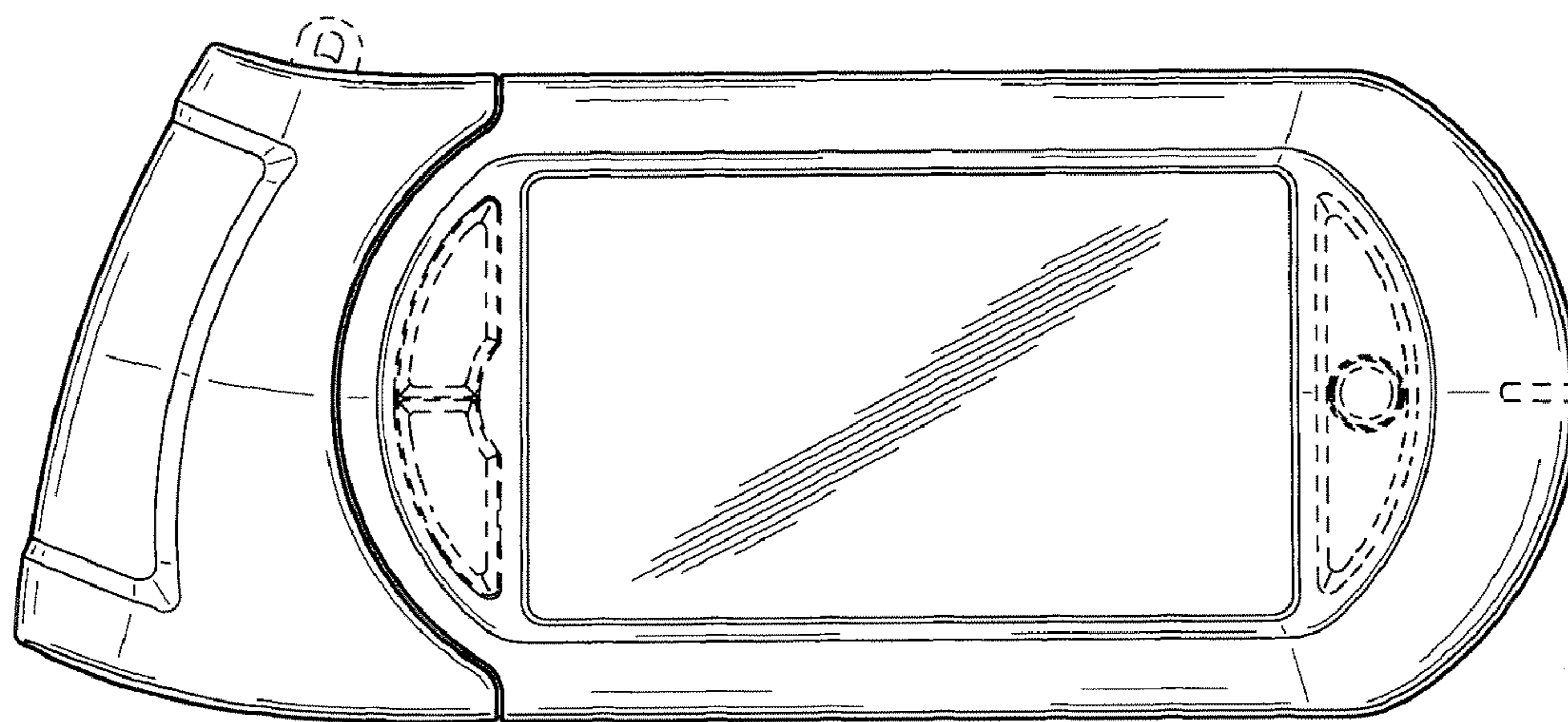


FIG. 2

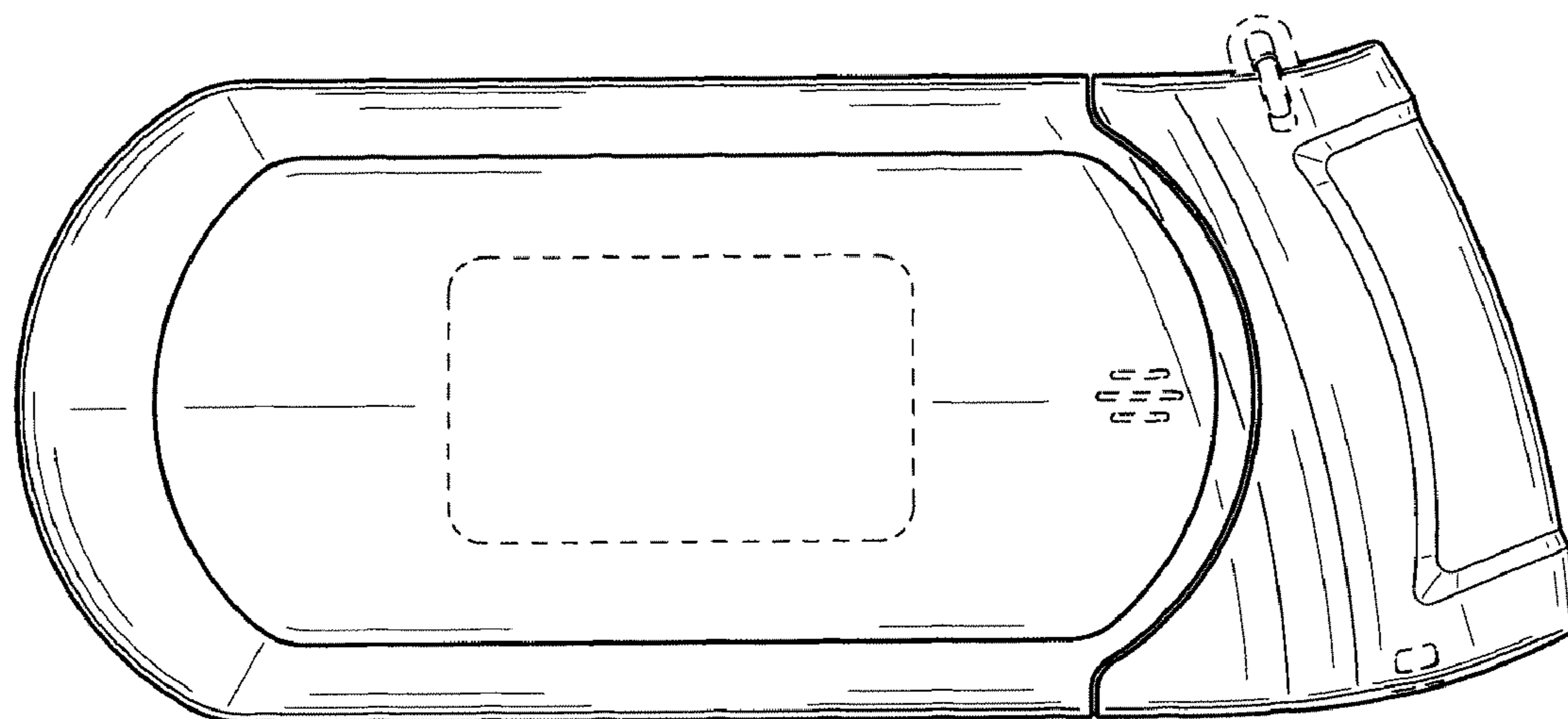


FIG. 3

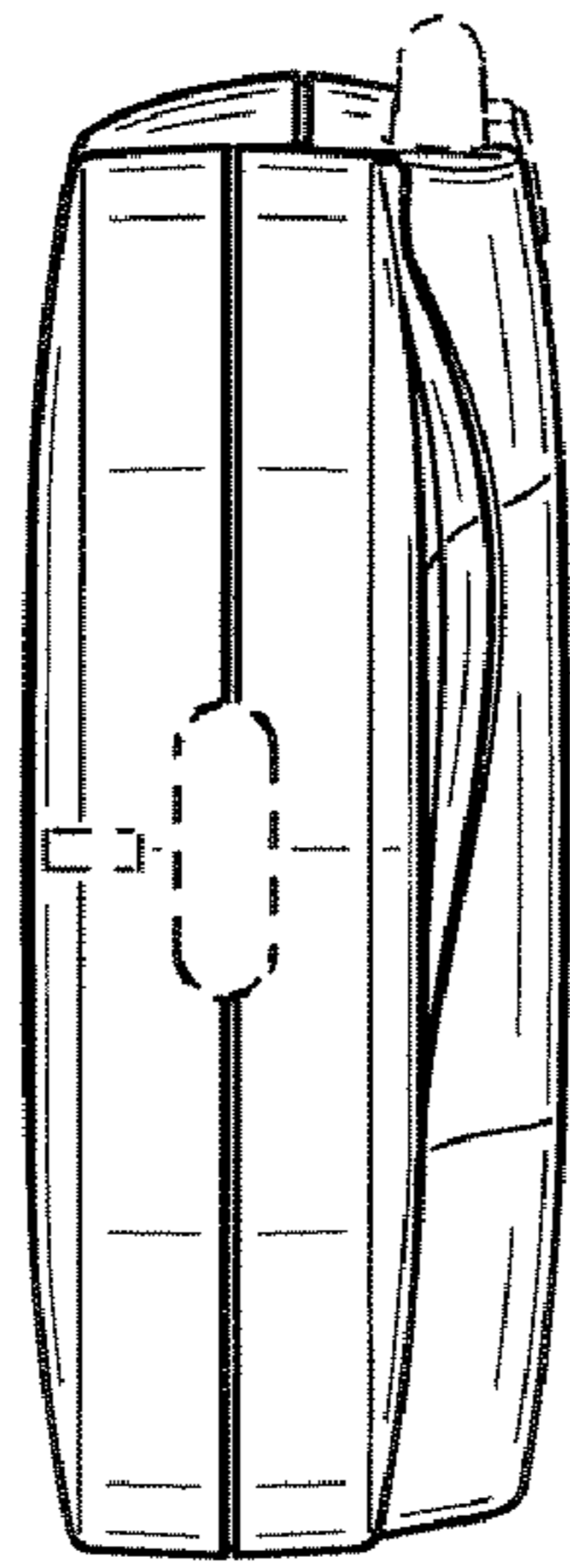


FIG. 4

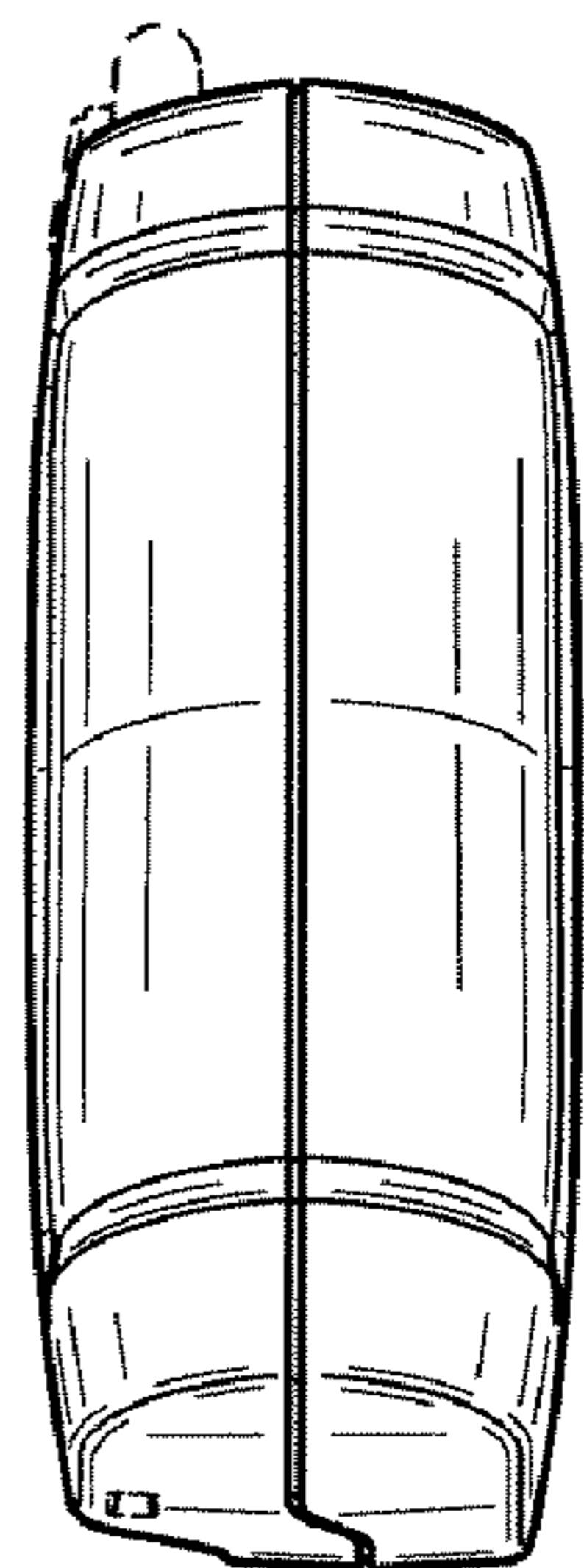


FIG. 5

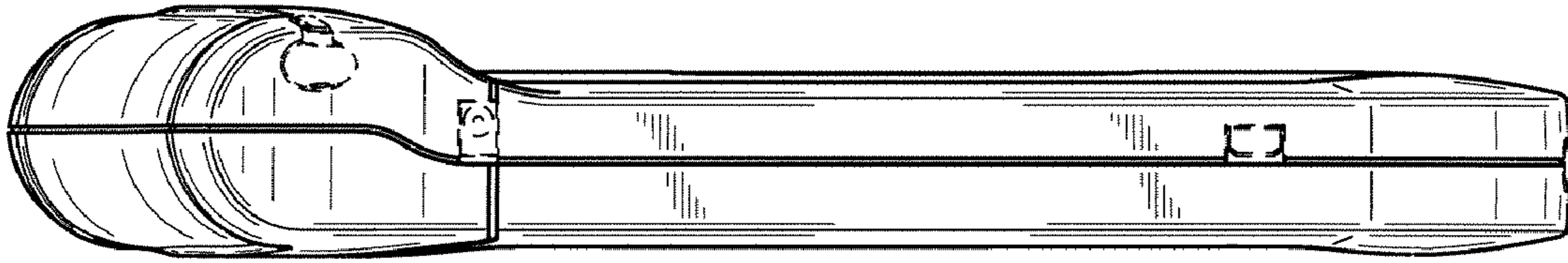


FIG. 6

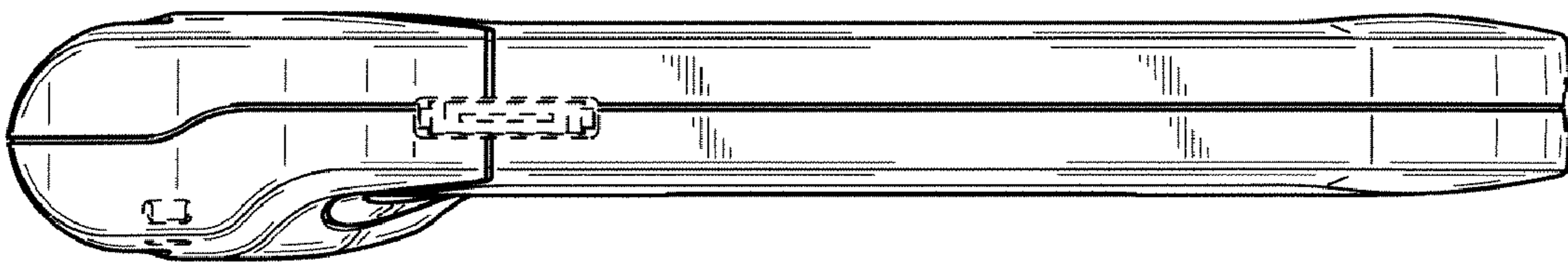


FIG. 7