



US00D615082S

(12) **United States Design Patent**
Taichi

(10) **Patent No.:** **US D615,082 S**
(45) **Date of Patent:** **** May 4, 2010**

(54) **PORTABLE TERMINAL DEVICE**

(75) Inventor: **Kase Taichi**, Kanagawa (JP)

(73) Assignees: **Inventec Corporation**, Taipei (TW);
Kohjinsha Co., Ltd., Kanagawa (JP)

(**) Term: **14 Years**

(21) Appl. No.: **29/343,702**

(22) Filed: **Sep. 17, 2009**

(30) **Foreign Application Priority Data**

Apr. 7, 2009 (JP) 2009-007943

(51) **LOC (9) Cl.** **14-02**

(52) **U.S. Cl.** **D14/316; D14/373**

(58) **Field of Classification Search** D14/315-327,
D14/125-127, 371, 373, 306; D18/1, 2,
D18/7, 11; 235/145 A, 145 R; 341/22, 23;
345/156, 168, 169, 172; 361/679.04-679.09,
361/679.15, 679.16, 679.26, 679.27

See application file for complete search history.

(56) **References Cited**

U.S. PATENT DOCUMENTS

5,712,760 A * 1/1998 Coulon et al. 361/679.15

(Continued)

Primary Examiner—Freda S Nunn

(74) *Attorney, Agent, or Firm*—J.C. Patents

(57) **CLAIM**

The ornamental design for a portable terminal device, as shown and described.

DESCRIPTION

FIG. 1 is a perspective view of a portable terminal device showing the new design;

FIG. 2 is a front view thereof;

FIG. 3 is a rear view thereof;

FIG. 4 is a left side view thereof;

FIG. 5 is a right side view thereof;

FIG. 6 is a top view thereof;

FIG. 7 is a bottom view thereof;

FIG. 8 is a perspective view showing a closing state of a display portion thereof;

FIG. 9 is a front view showing the closing state of the display portion thereof;

FIG. 10 is a rear view showing the closing state of the display portion thereof;

FIG. 11 is a left side view showing the closing state of the display portion thereof;

FIG. 12 is a right side view showing the closing state of the display portion thereof;

FIG. 13 is a top view showing the closing state of the display portion thereof;

FIG. 14 is a bottom view showing the closing state of the display portion thereof;

FIG. 15 is a perspective view showing a rotating state of the display portion (initial location) thereof;

FIG. 16 is a perspective view showing the rotating state of the display portion (middle location 1) thereof;

FIG. 17 is a perspective view showing the rotating state of the display portion (middle location 2) thereof;

FIG. 18 is a perspective view showing the rotating state of the display portion (final location) thereof;

FIG. 19 is a perspective view showing an upright state of the display portion thereof after the rotation;

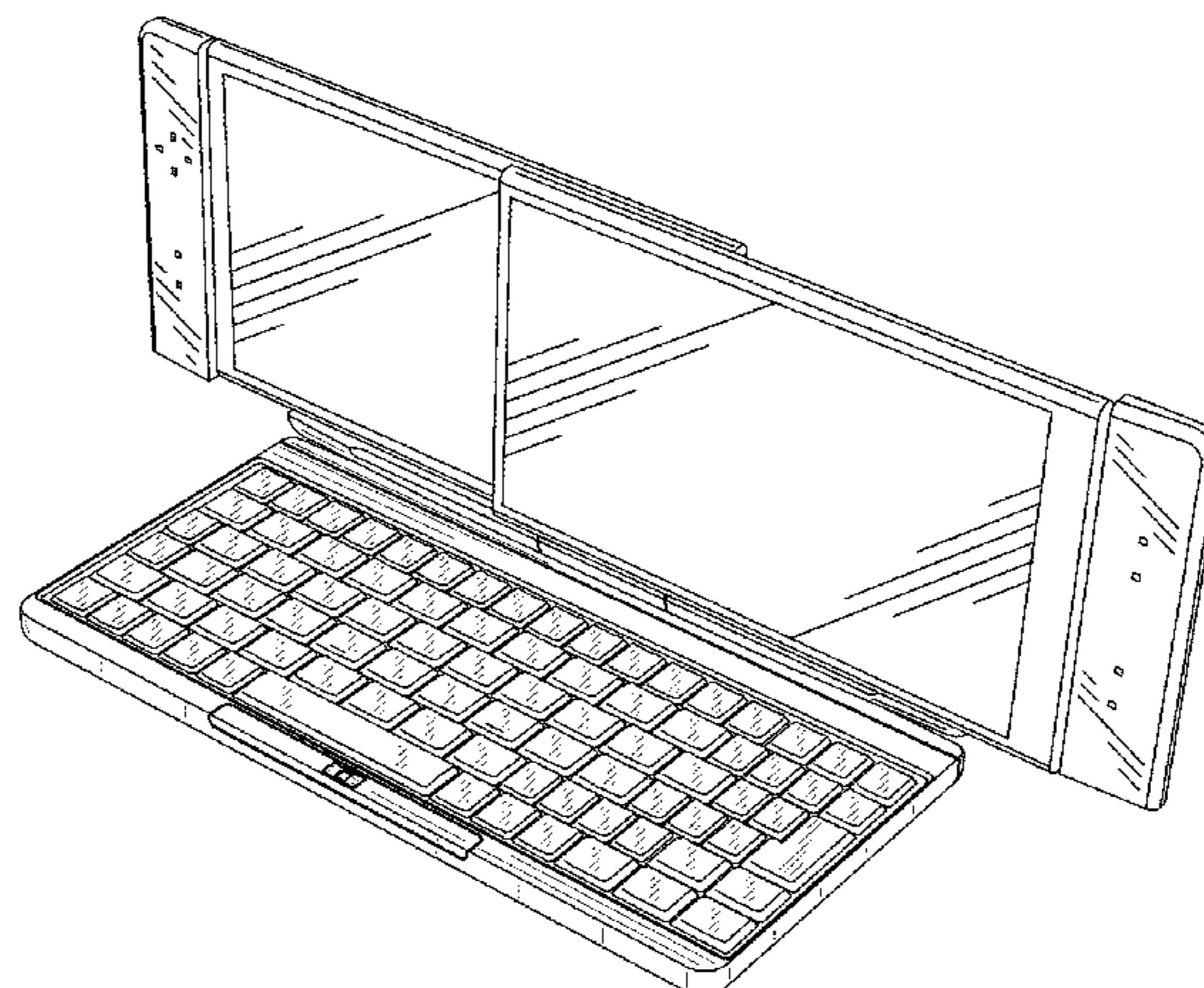
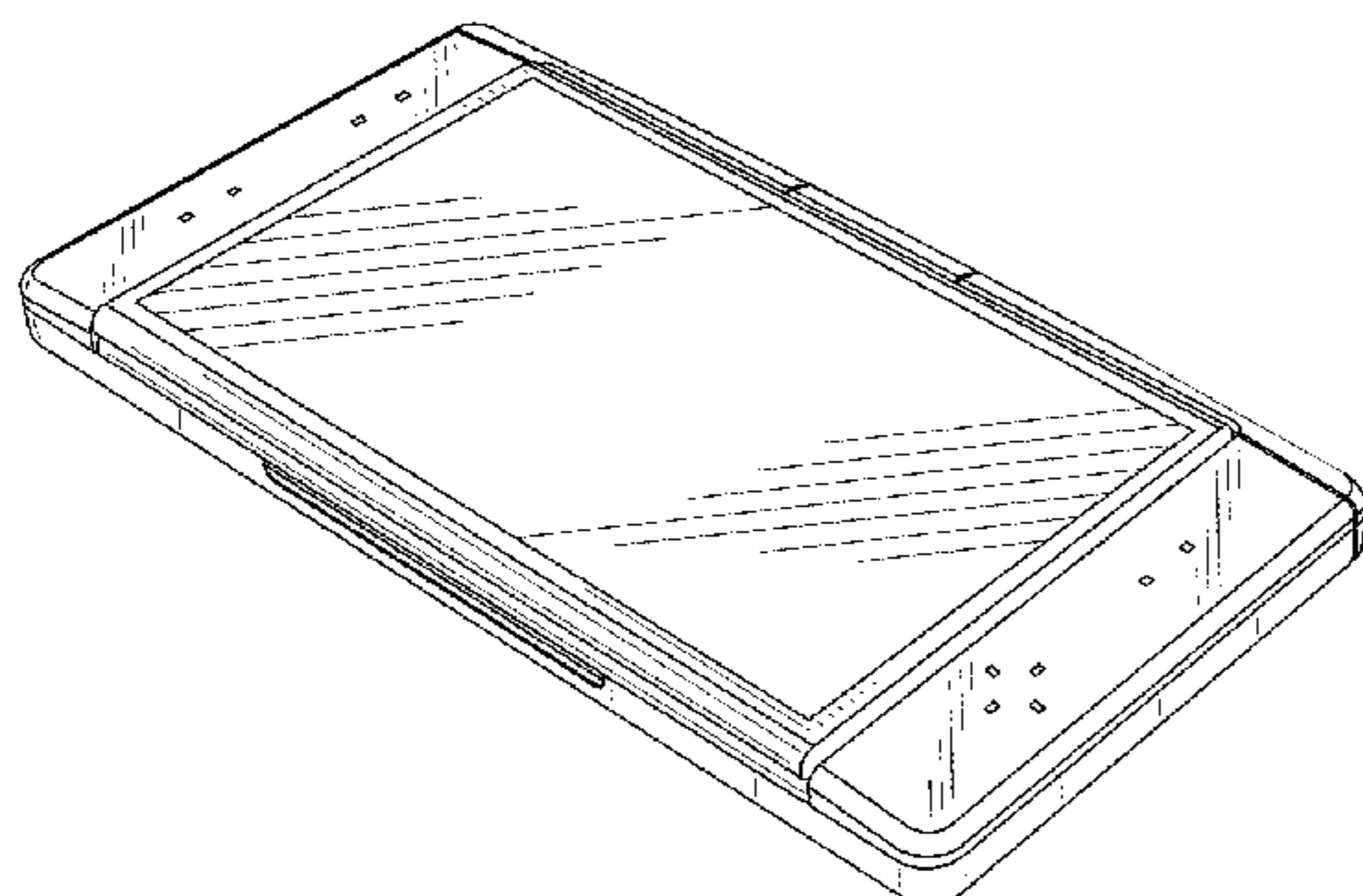
FIG. 20 is a perspective view showing a sliding state of the display portion (initial location) thereof;

FIG. 21 is a perspective view showing the sliding state of the display portion (middle location) thereof;

FIG. 22 is a perspective view showing the sliding state of the display portion (final location) thereof; and,

FIG. 23 is a perspective view showing an lean-down state of the display portion thereof after the sliding.

1 Claim, 17 Drawing Sheets



US D615,082 S

Page 2

U.S. PATENT DOCUMENTS

D417,893	S *	12/1999	Hunter et al.	D20/10	D519,500	S *	4/2006	Maskatia et al.	D14/318
D449,302	S *	10/2001	Jung	D14/373	D565,047	S *	3/2008	Jawerth et al.	D14/391
6,351,372	B1 *	2/2002	Kim	361/679.15	D589,511	S *	3/2009	Han	D14/373
6,532,146	B1 *	3/2003	Duquette	361/679.04	D589,959	S *	4/2009	Han	D14/373
6,667,877	B2 *	12/2003	Duquette	361/679.04	D599,792	S *	9/2009	Lin	D14/331
D499,725	S *	12/2004	Lee	D14/316	2004/0228076	A1 *	11/2004	Clapper	361/681
6,999,008	B2 *	2/2006	Wang et al.	341/22	2006/0038795	A1 *	2/2006	Lee	345/173

* cited by examiner

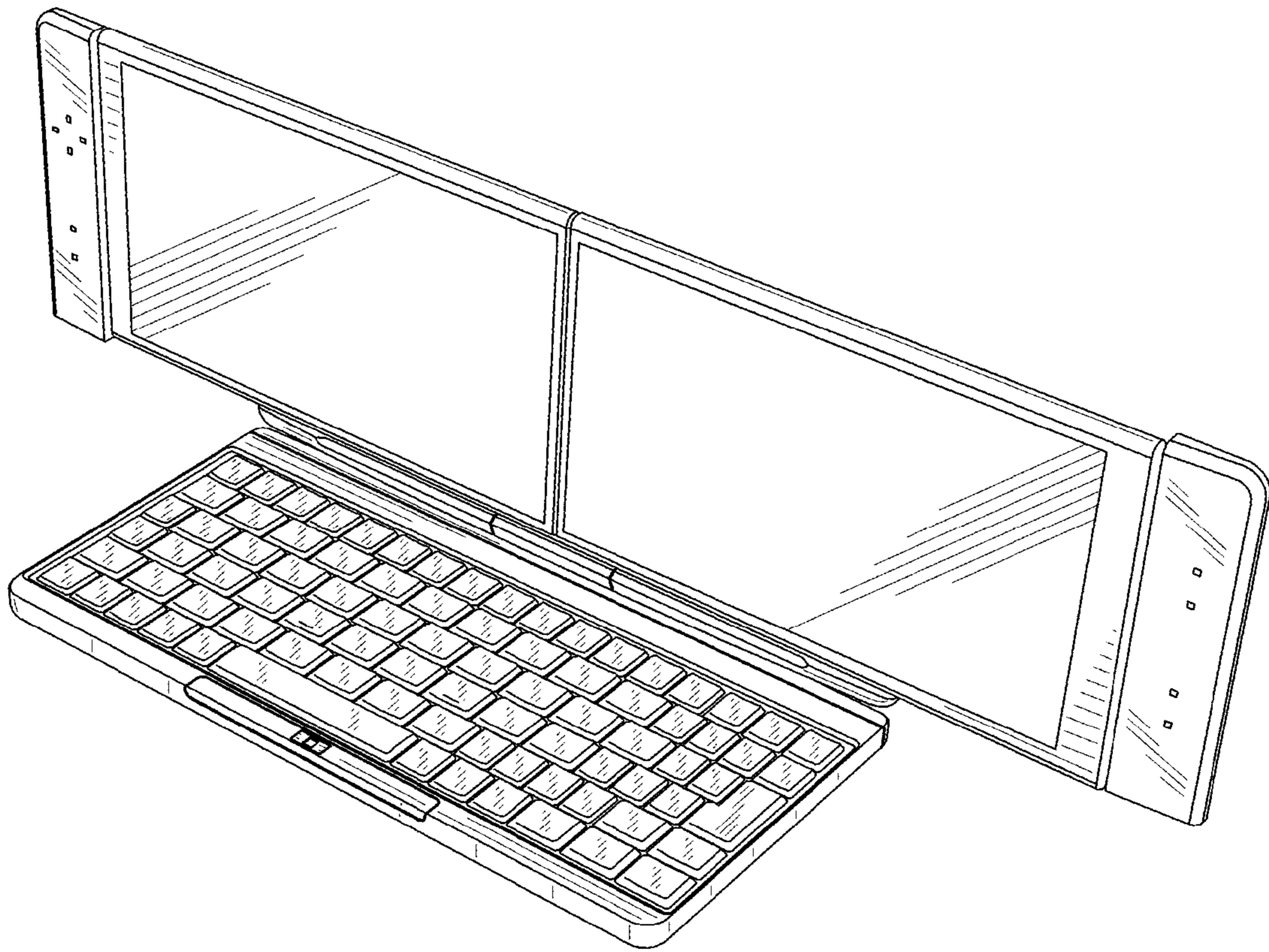


FIG. 1

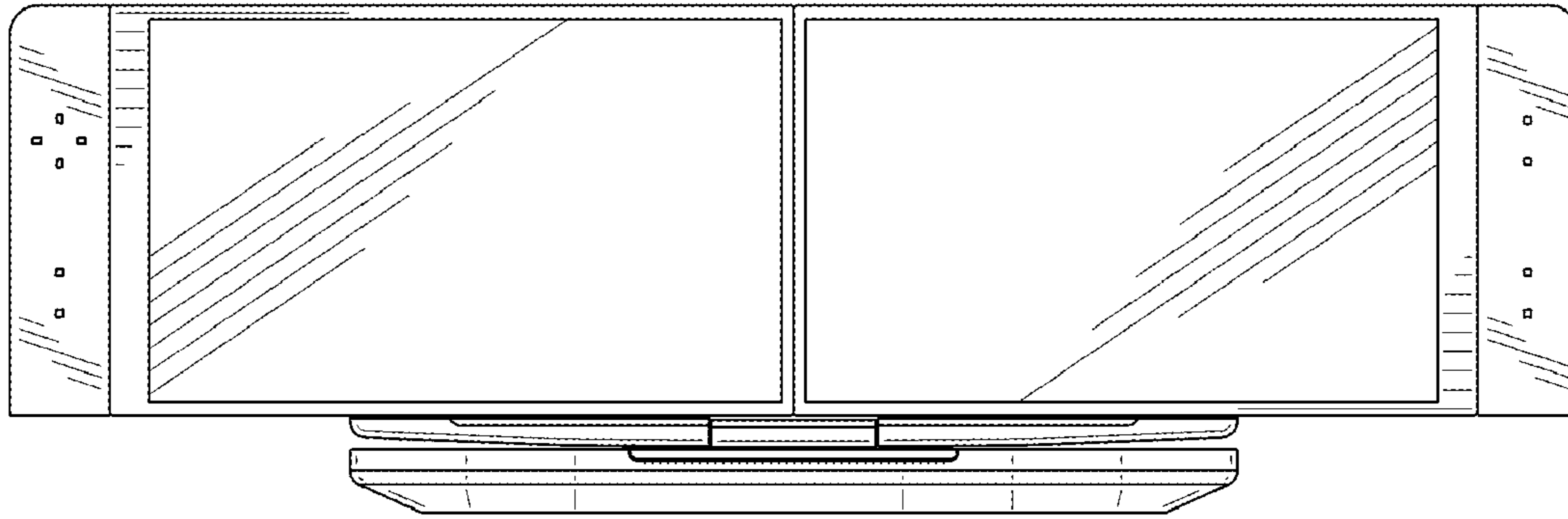


FIG. 2

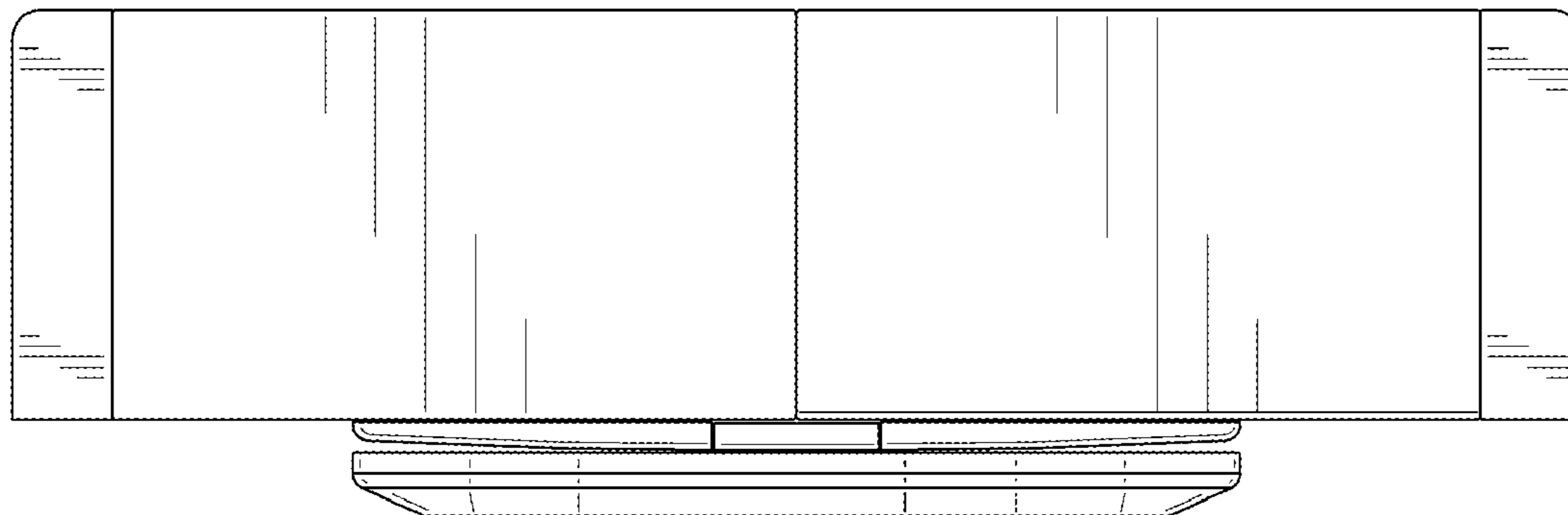


FIG. 3

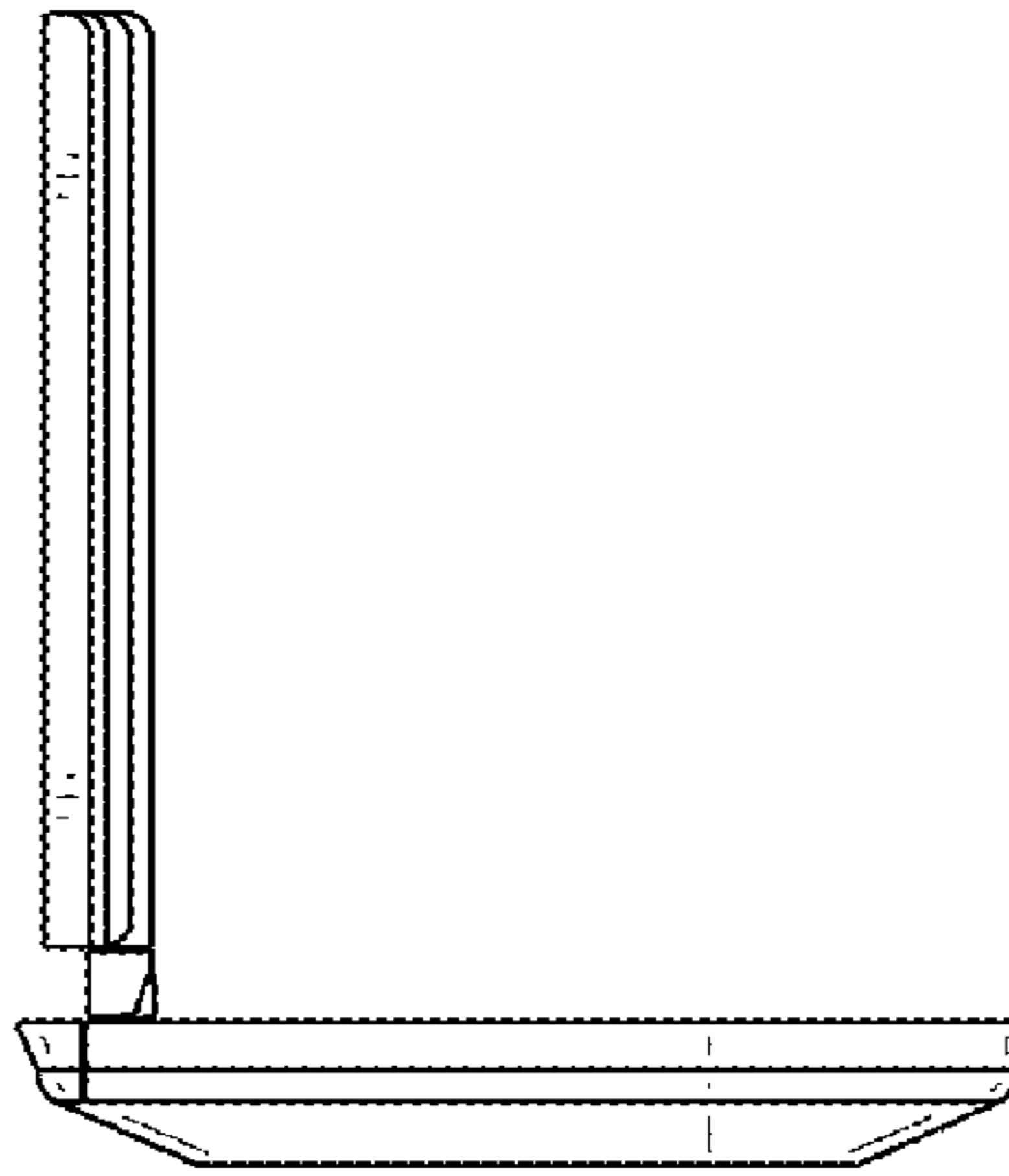


FIG. 4

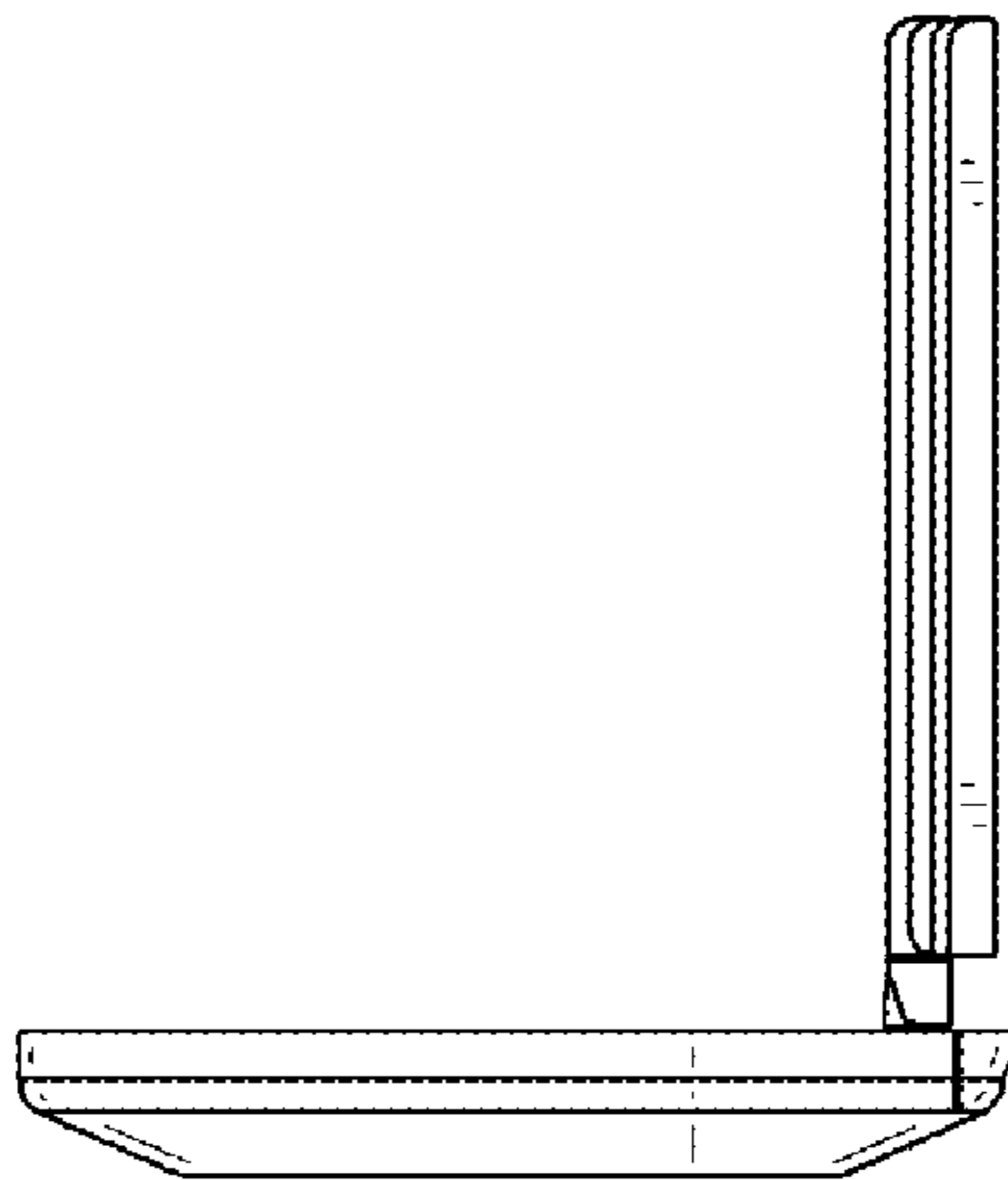


FIG. 5

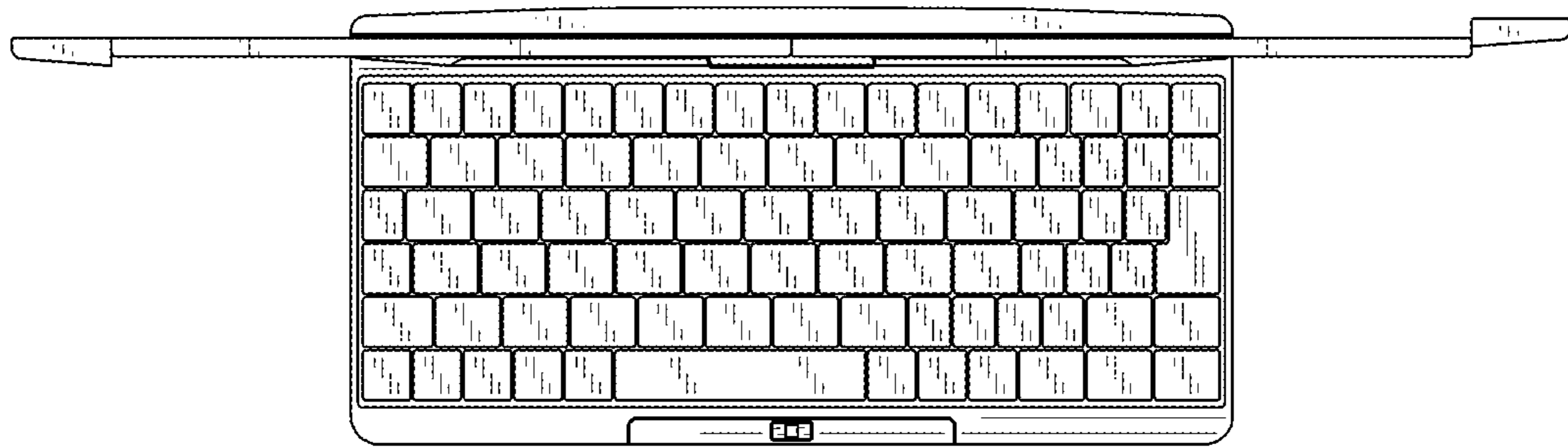


FIG. 6

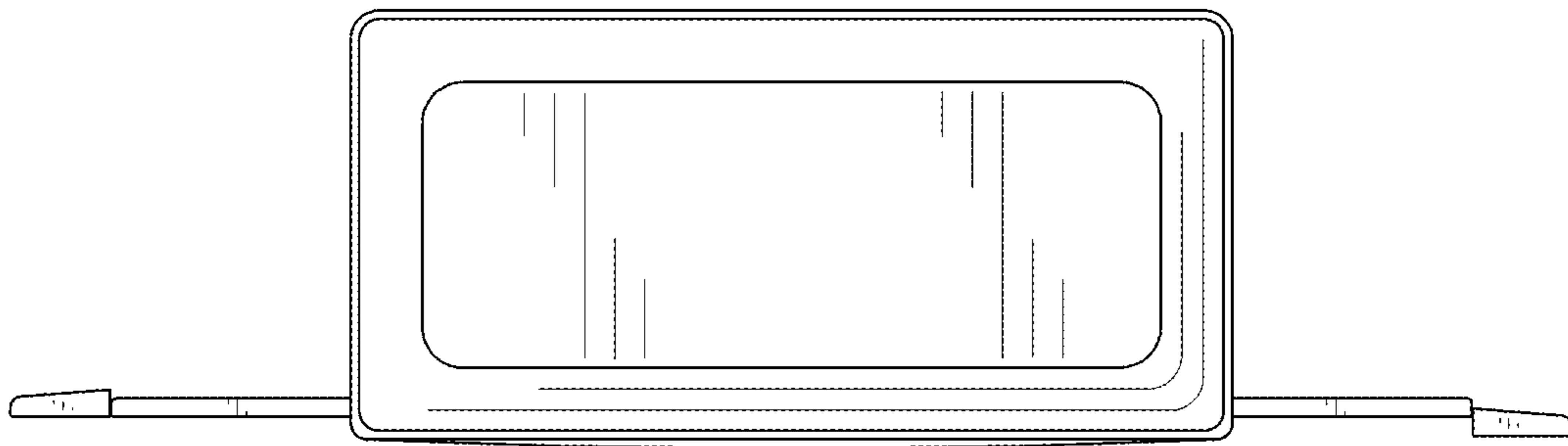


FIG. 7

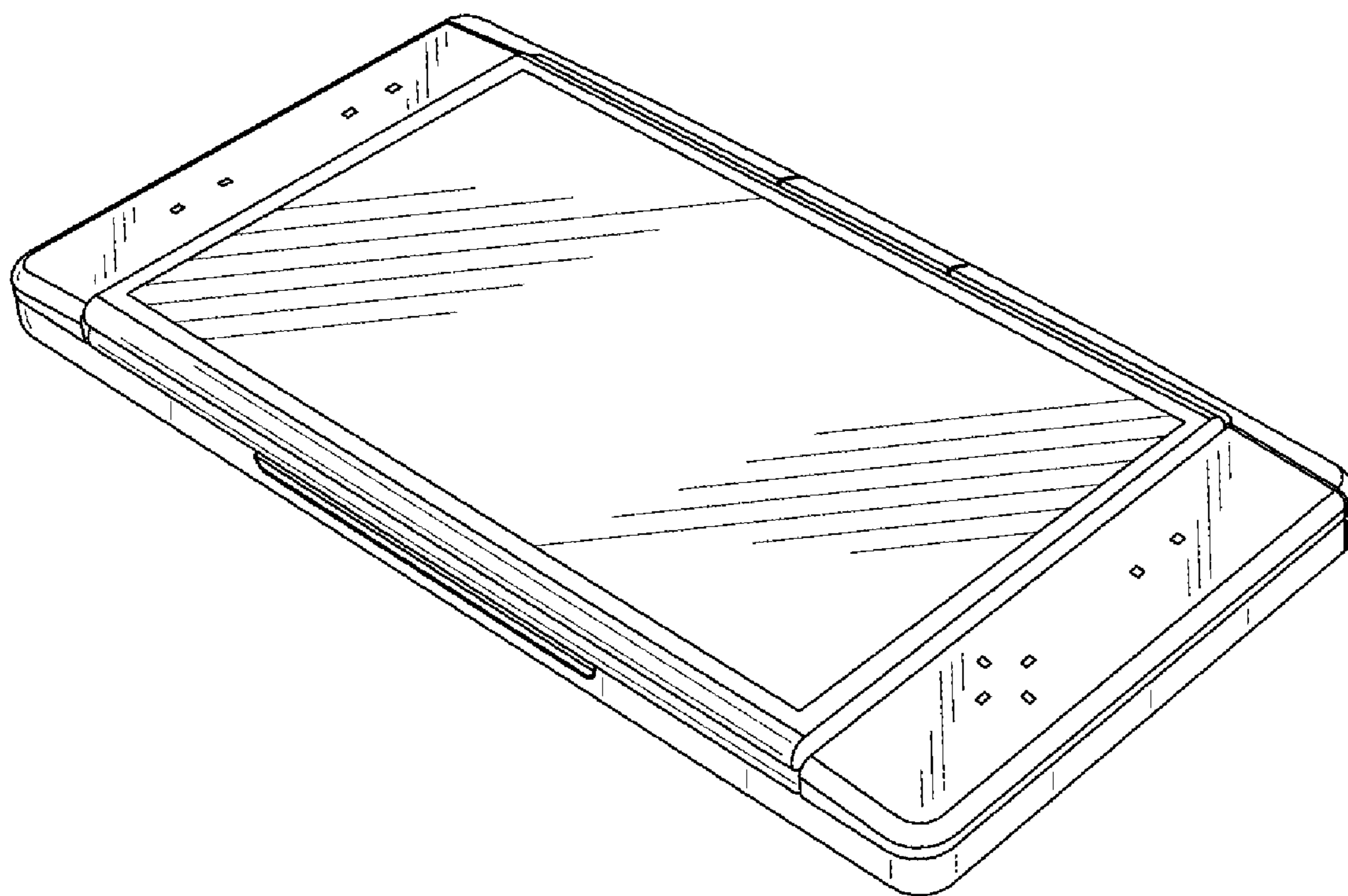


FIG. 8

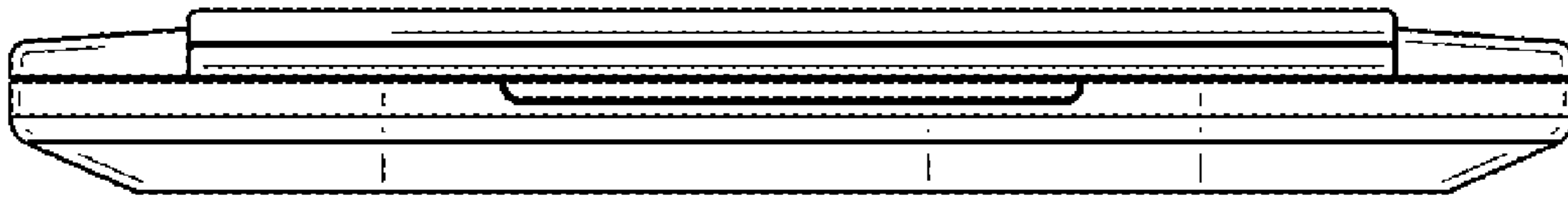


FIG. 9

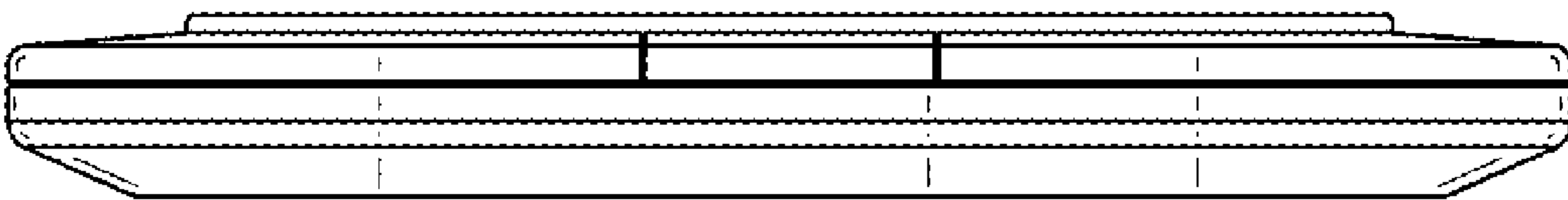


FIG. 10

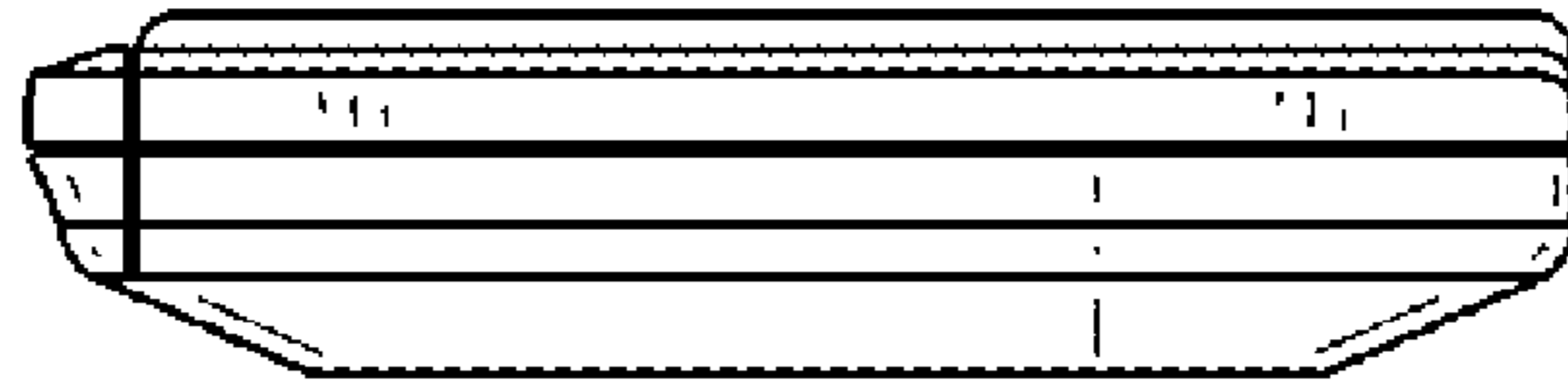


FIG. 11

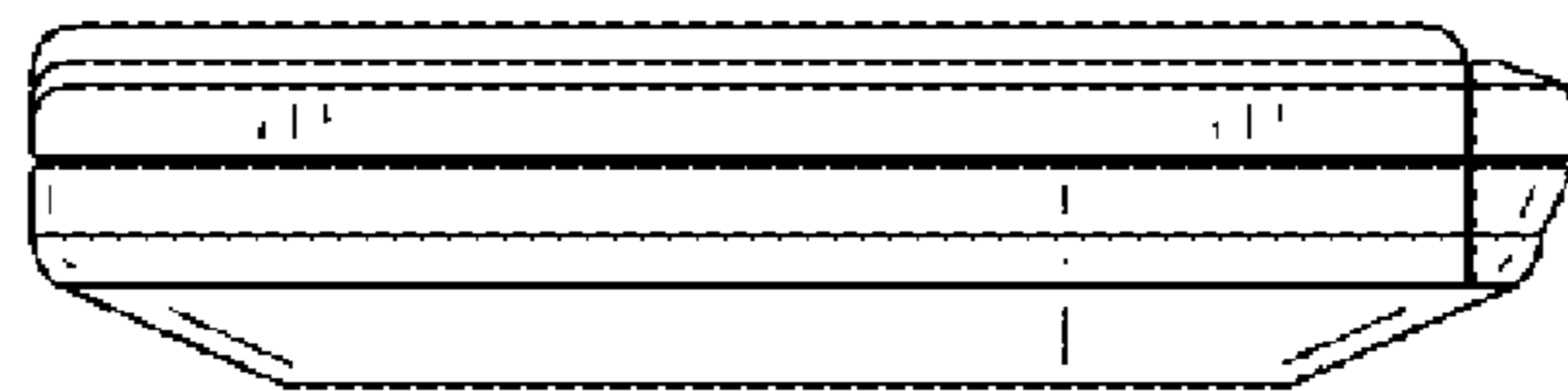


FIG. 12

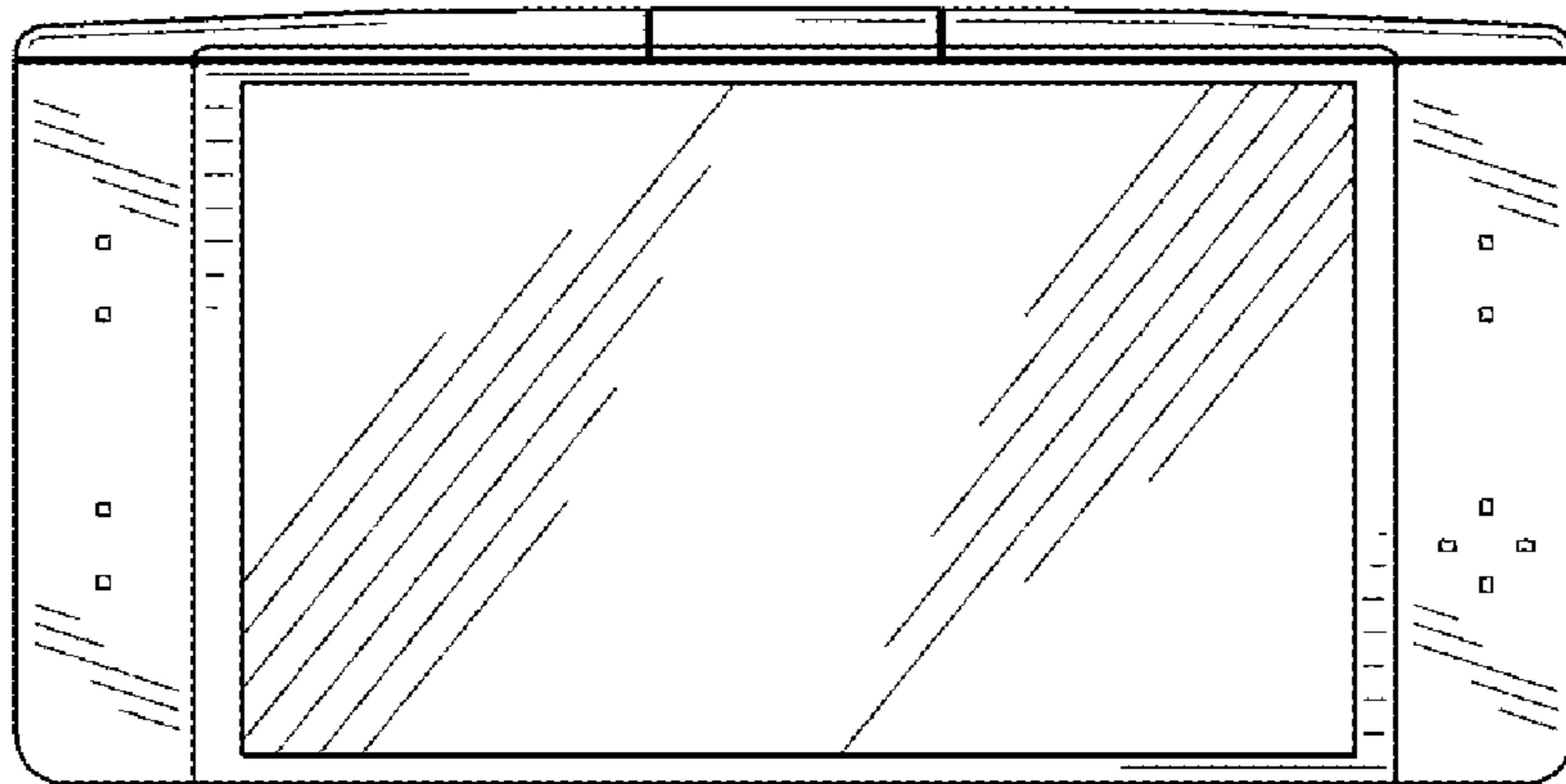


FIG. 13

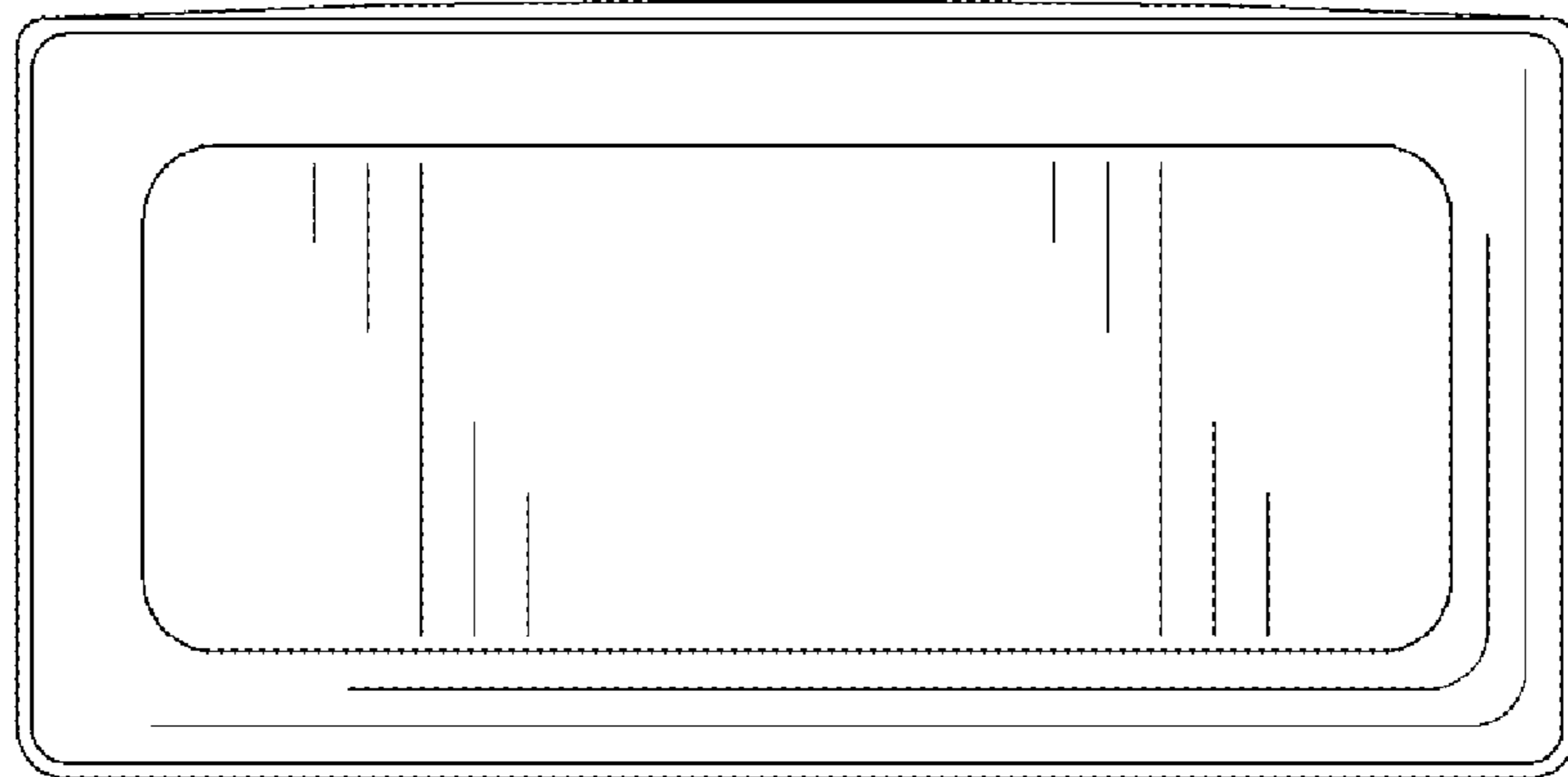


FIG. 14

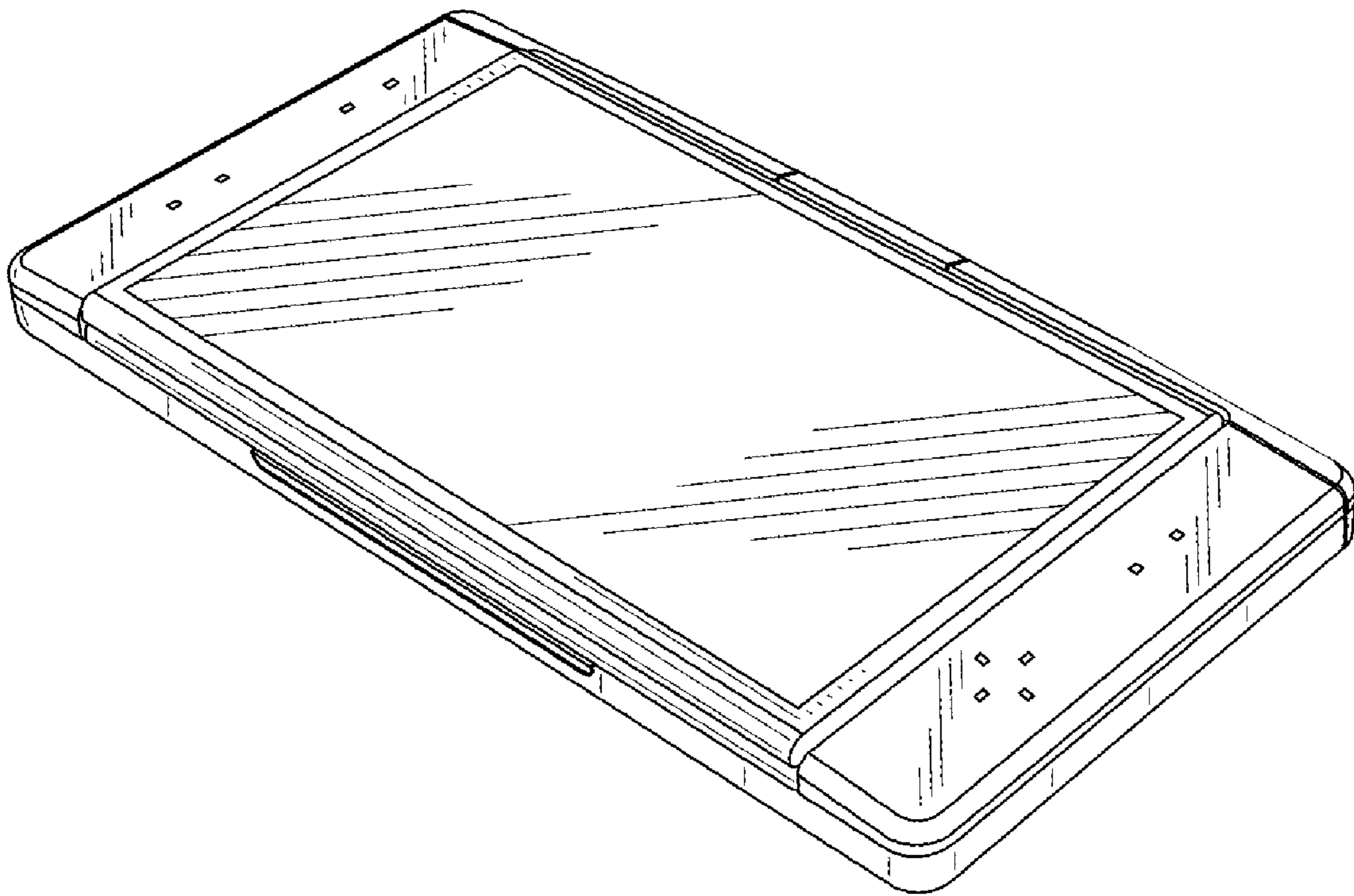


FIG. 15

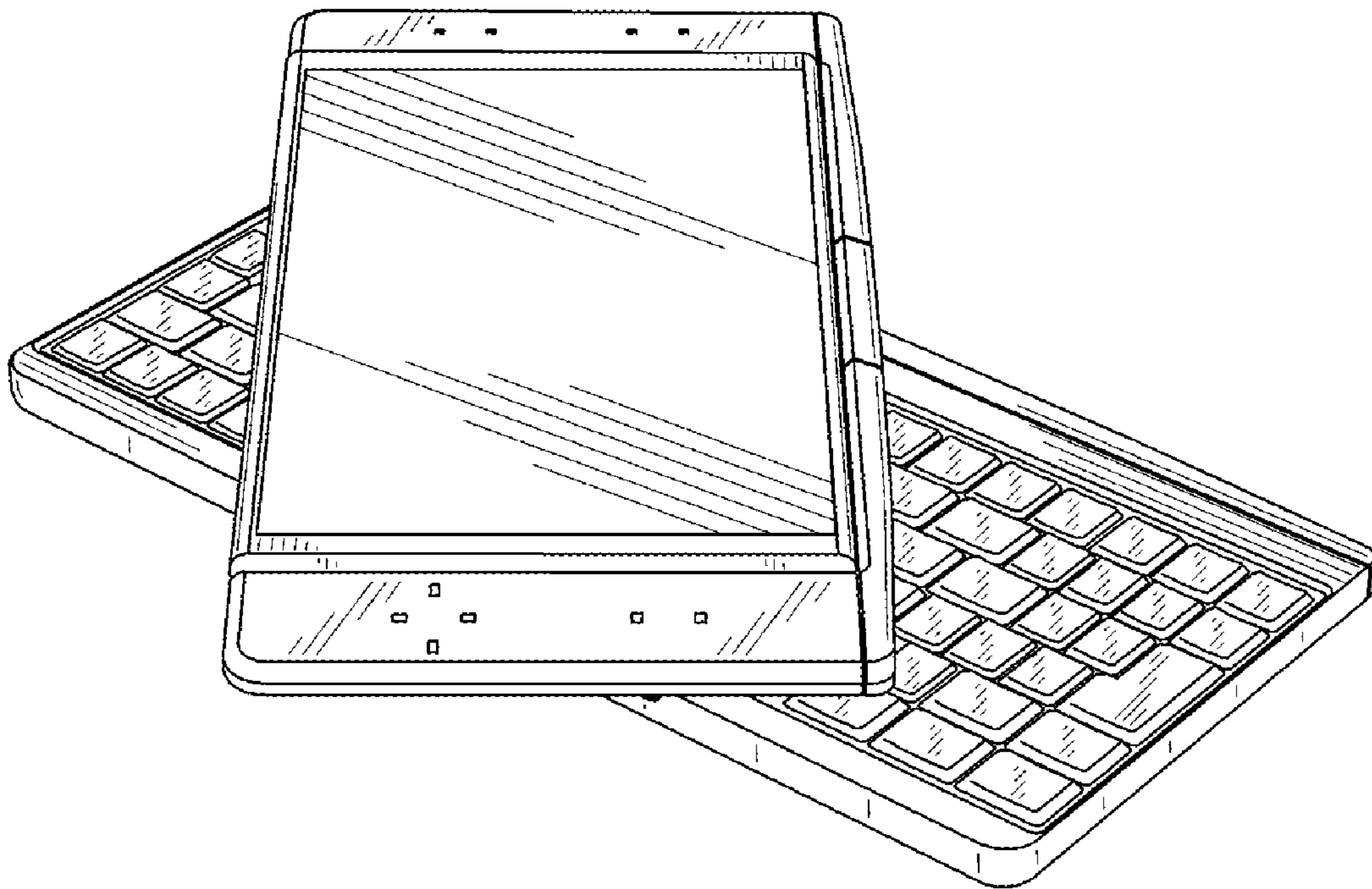


FIG. 16

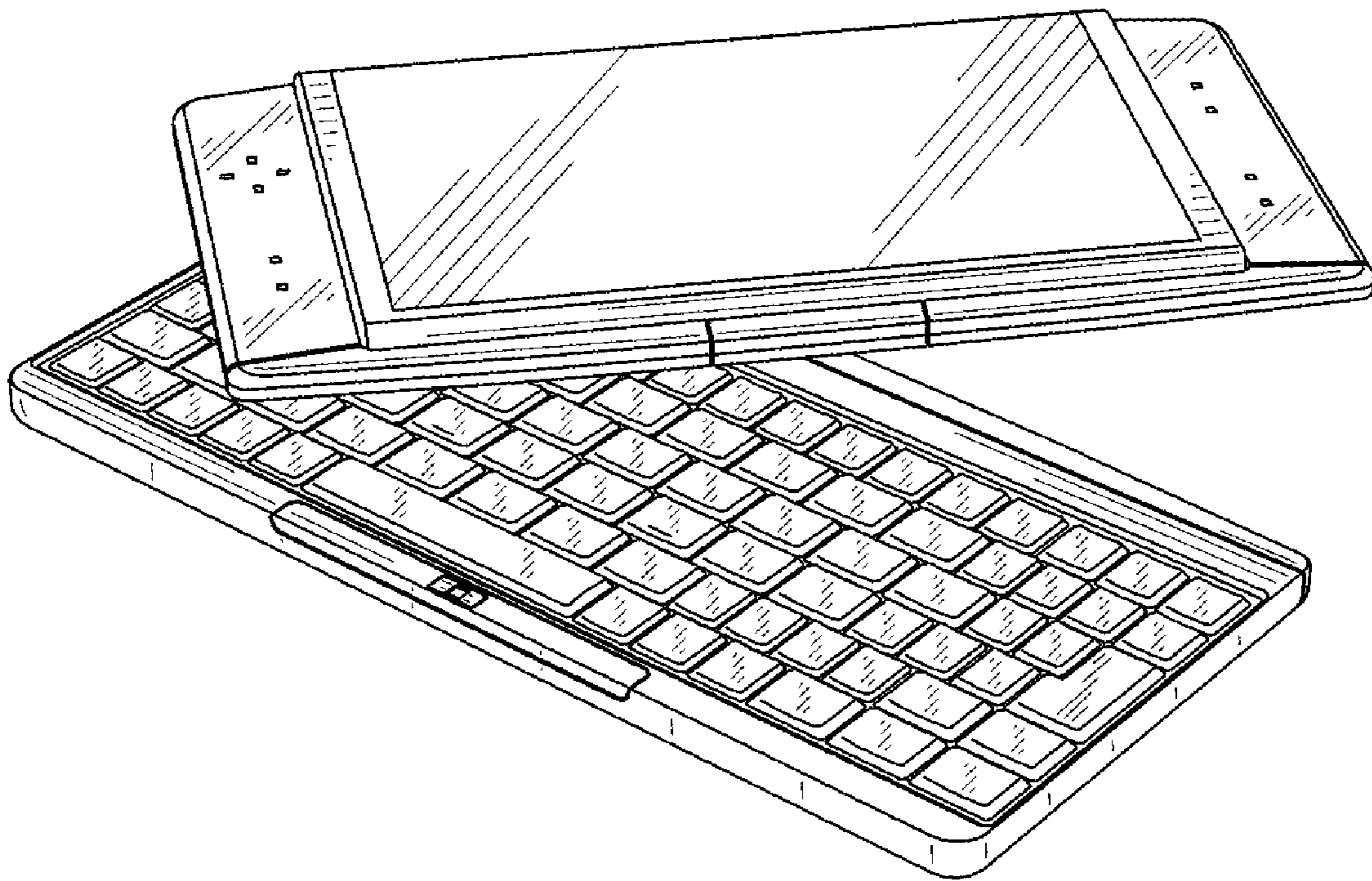


FIG. 17

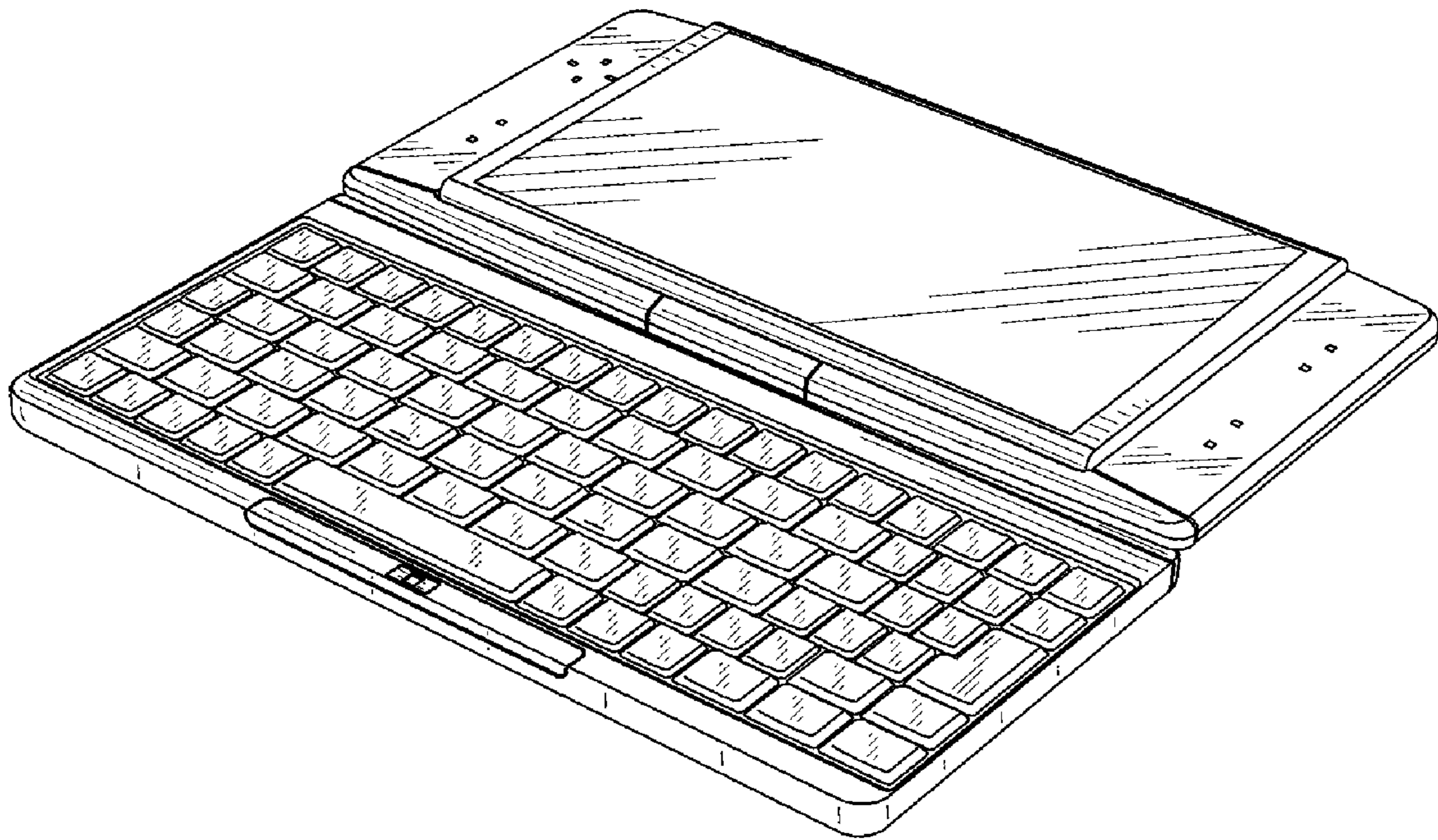


FIG. 18

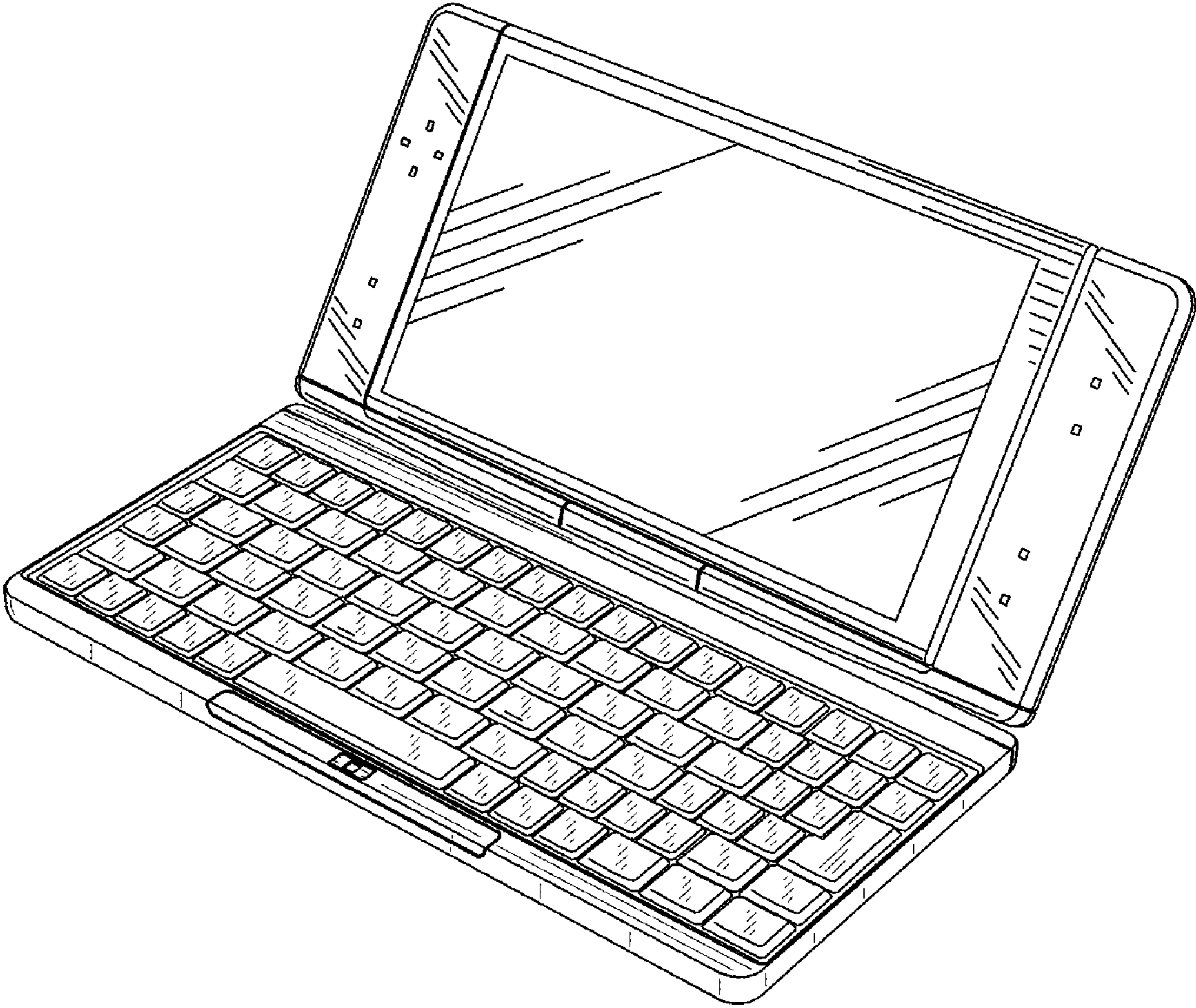


FIG. 19

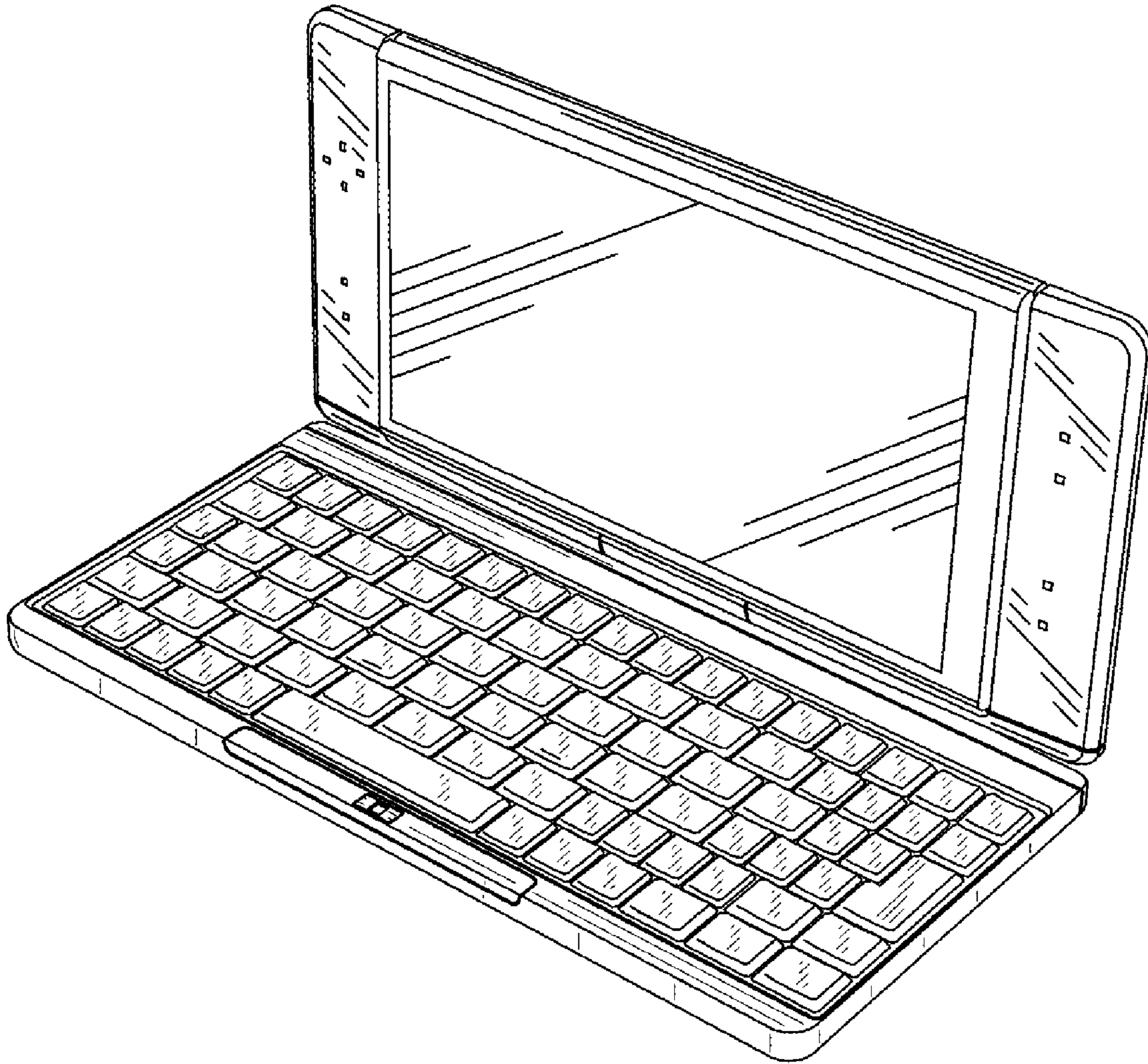


FIG. 20

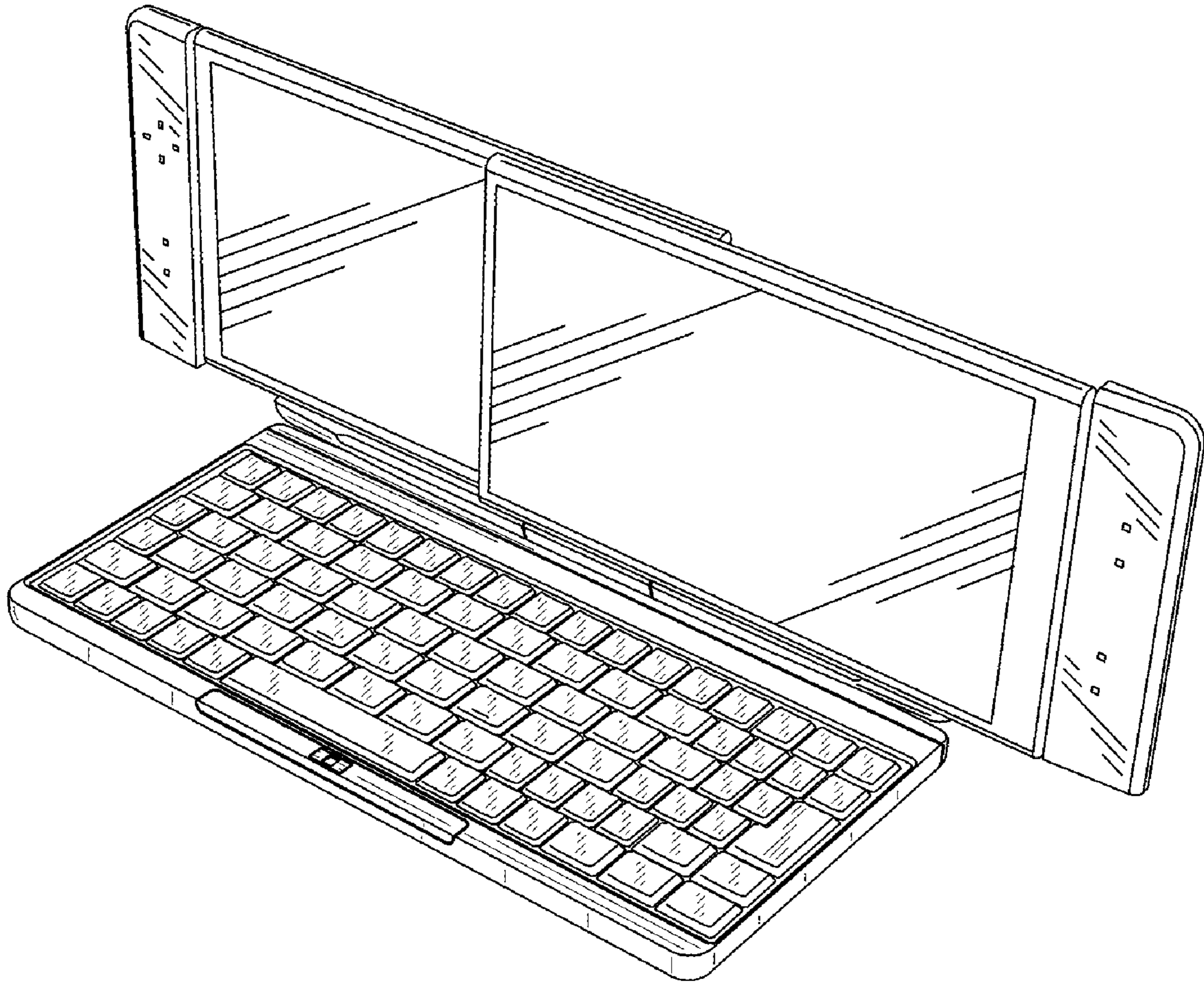


FIG. 21

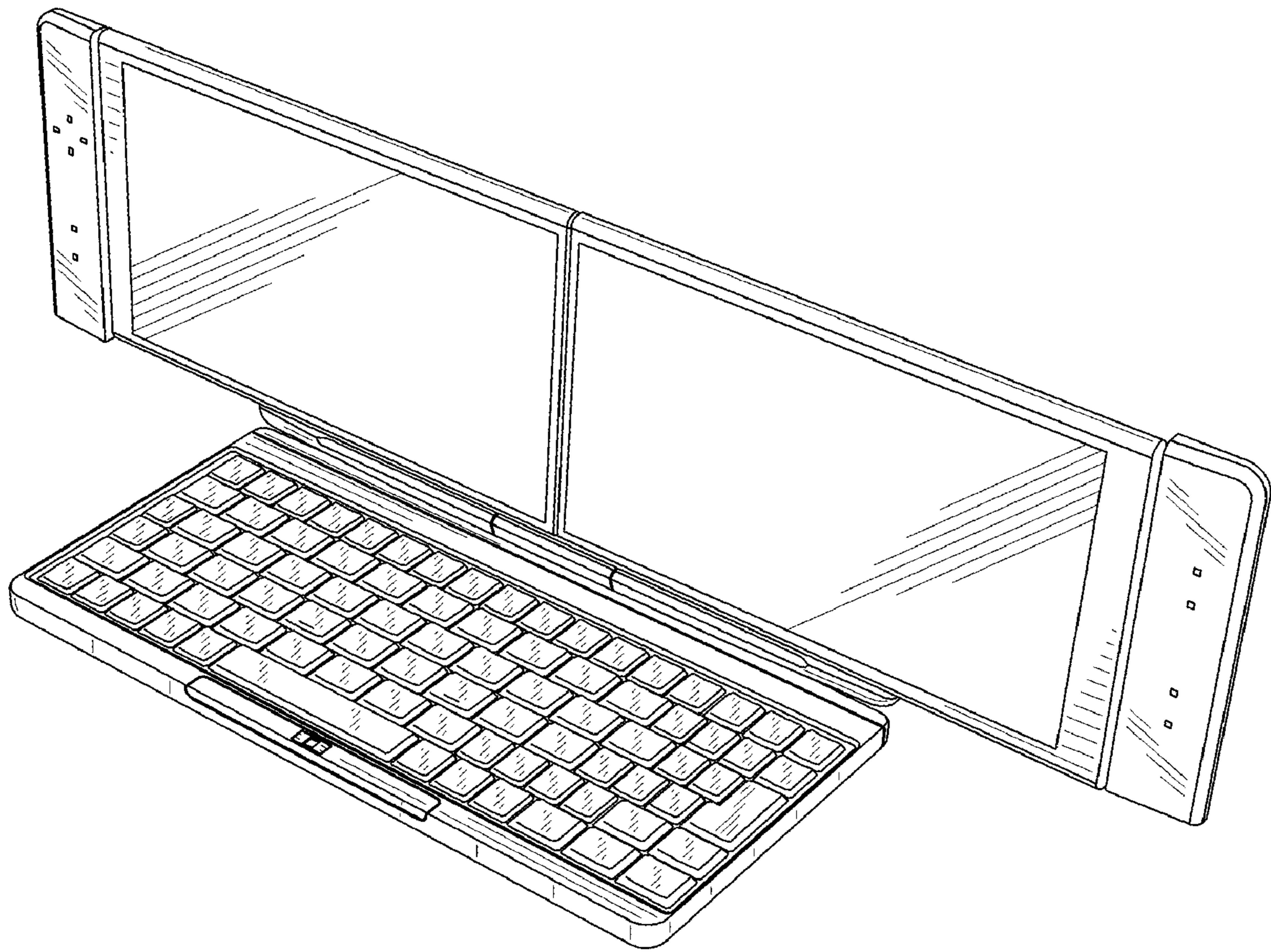


FIG. 22

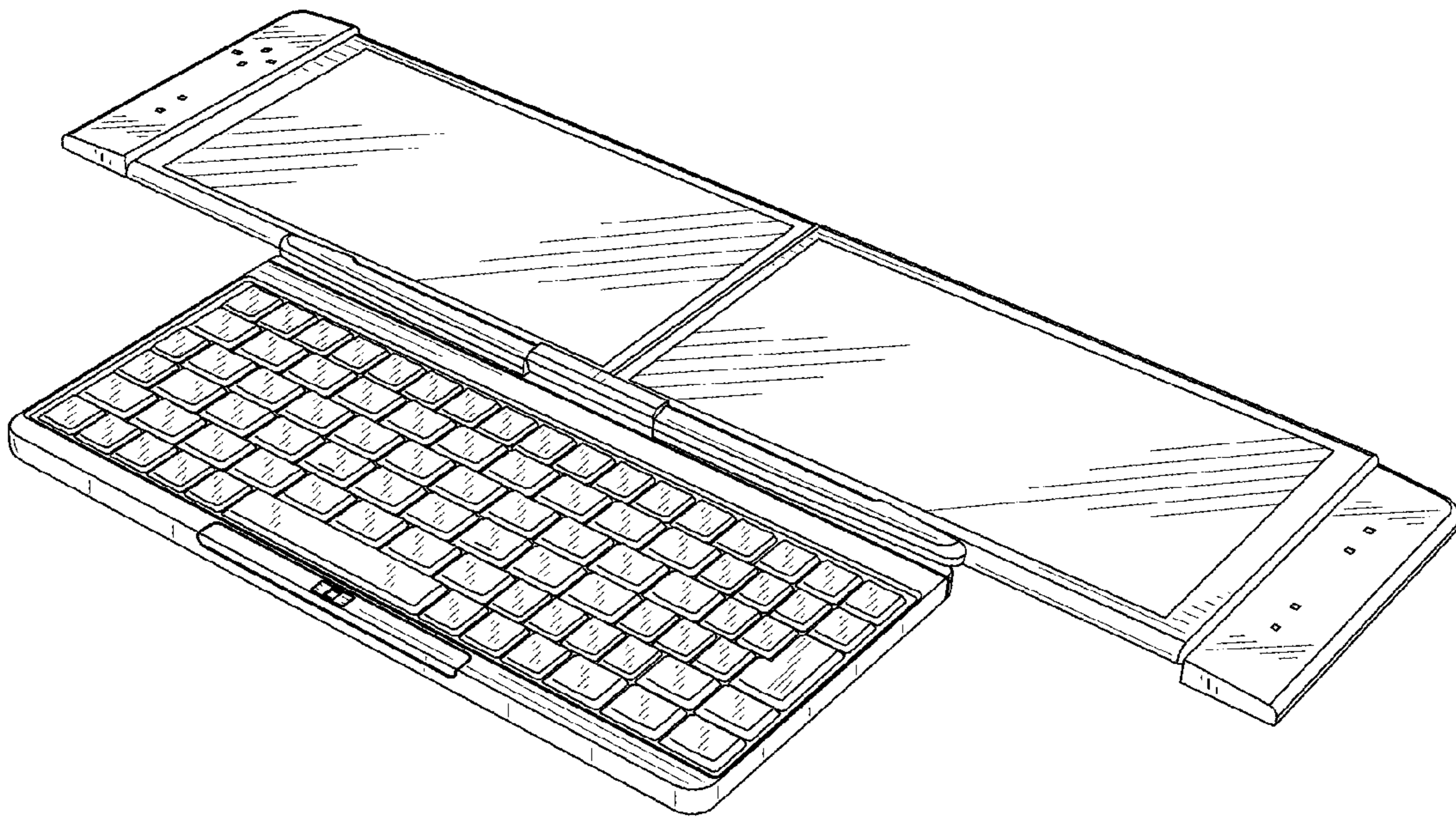


FIG. 23