



US00D615079S

(12) **United States Design Patent**
Masuyama et al.

(10) **Patent No.:** **US D615,079 S**
(45) **Date of Patent:** **** May 4, 2010**

(54) **PERSONAL COMPUTER**

(75) Inventors: **Nobuharu Masuyama**, Yokohama (JP);
Hiroyuki Fujita, Tokyo (JP)

(73) Assignee: **Fujitsu Limited**, Kawasaki (JP)

(**) Term: **14 Years**

(21) Appl. No.: **29/309,729**

(22) Filed: **Sep. 29, 2008**

(30) **Foreign Application Priority Data**

Mar. 28, 2008 (JP) 2008-007951

(51) **LOC (9) Cl.** **14-02**

(52) **U.S. Cl.** **D14/315**

(58) **Field of Classification Search** D14/315-323,
D14/341-346; D18/1, 2, 7, 11; 235/145 A,
235/145 R; 248/460; 345/156, 168, 169,
345/172, 173; 361/680-686; 349/12; 178/18.03;
434/307 R, 317, 308, 309

See application file for complete search history.

(56) **References Cited**

U.S. PATENT DOCUMENTS

6,262,885 B1 * 7/2001 Emma et al. 361/683
6,464,195 B1 * 10/2002 Hildebrandt 248/460
D482,687 S * 11/2003 Chu D14/316
6,665,175 B1 * 12/2003 deBoer et al. 361/681

D499,725 S * 12/2004 Lee D14/316
D528,541 S * 9/2006 Maskatia D14/315
2004/0228076 A1 * 11/2004 Clapper 361/681
2005/0063145 A1 * 3/2005 Homer et al. 361/683
2005/0128695 A1 * 6/2005 Han 361/683

* cited by examiner

Primary Examiner—Freda S Nunn

(74) *Attorney, Agent, or Firm*—Staas & Halsey LLP

(57) **CLAIM**

The ornamental design for a personal computer, as shown and described.

DESCRIPTION

FIG. 1 is a perspective view of top, front and right side of a personal computer showing our new design;

FIG. 2 is a front view;

FIG. 3 is a rear view thereof;

FIG. 4 is a left side view thereof;

FIG. 5 is a right side view thereof;

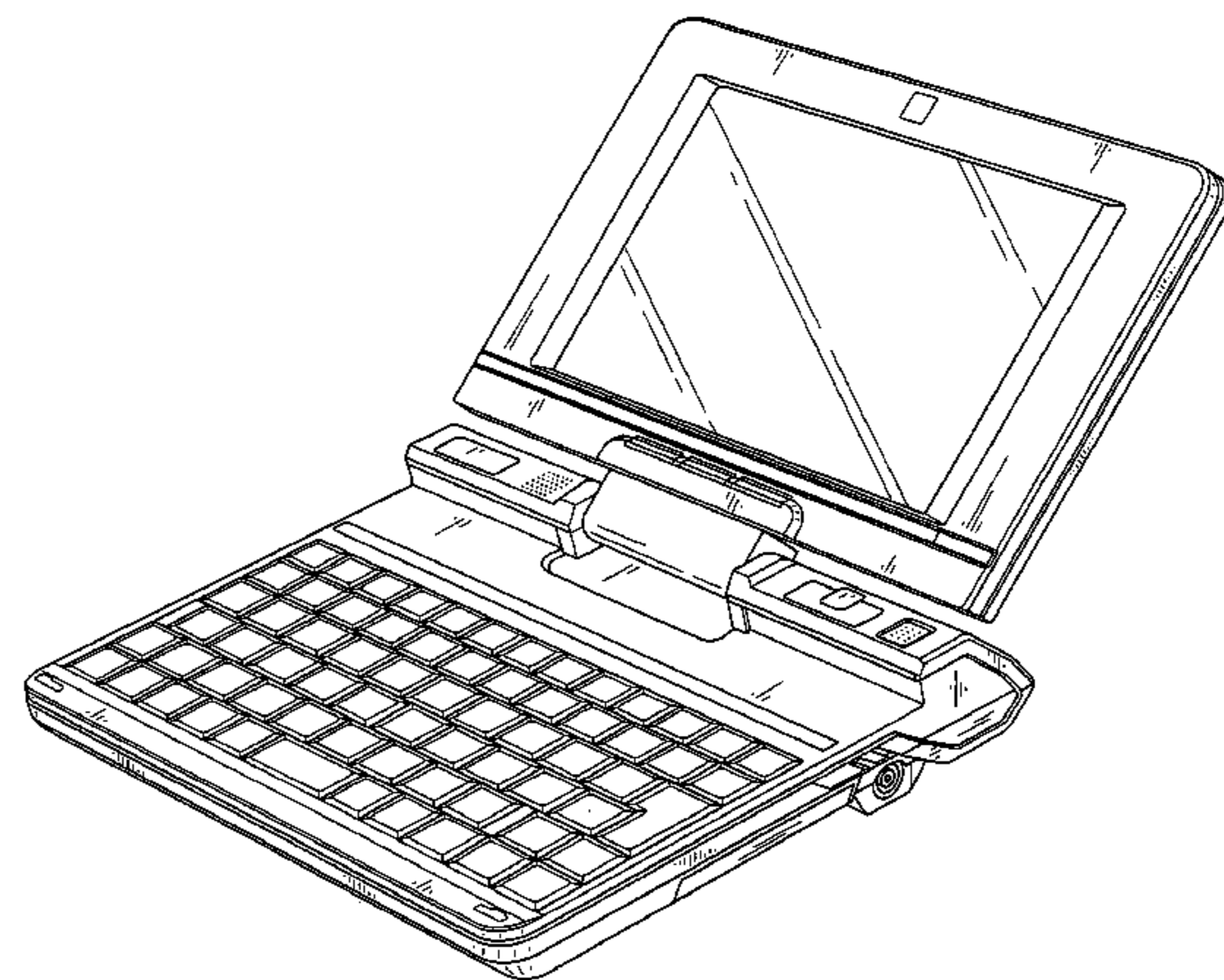
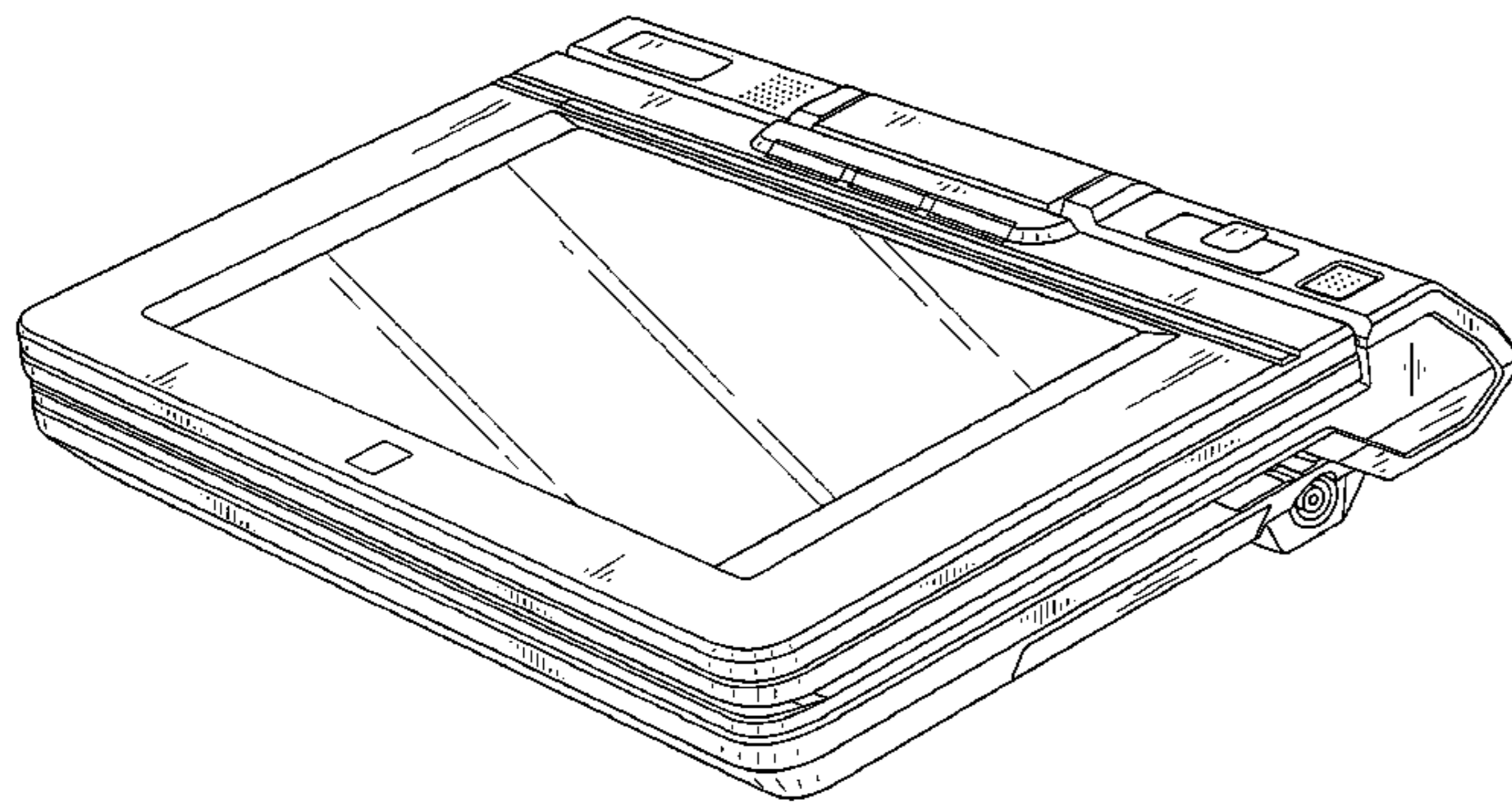
FIG. 6 is a top plan view thereof;

FIG. 7 is a bottom view thereof;

FIG. 8 is a perspective view thereof in the condition of rotating display part 180 degrees; and,

FIG. 9 is a perspective view thereof with the display part in open condition.

1 Claim, 7 Drawing Sheets



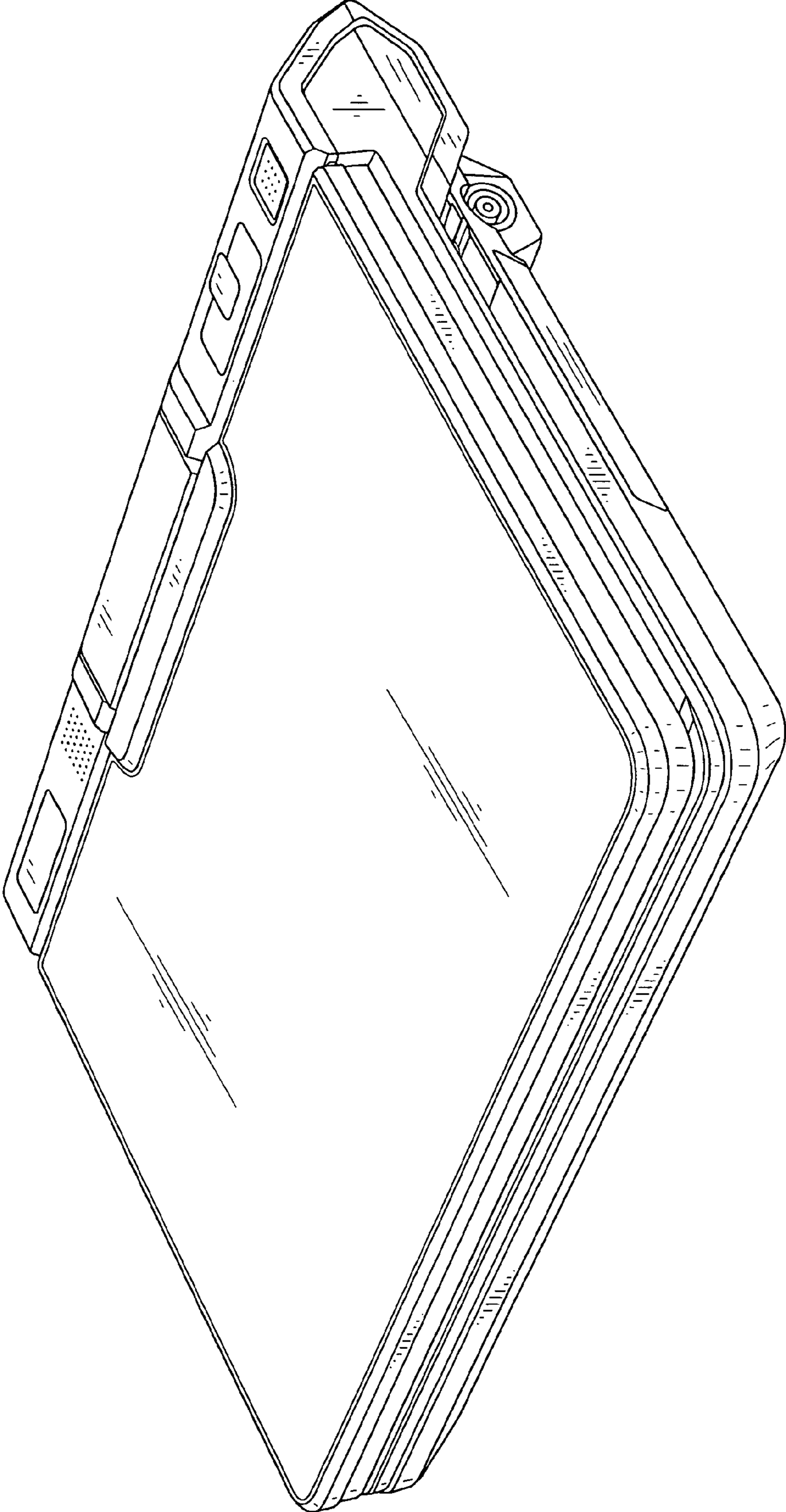


FIG. 1

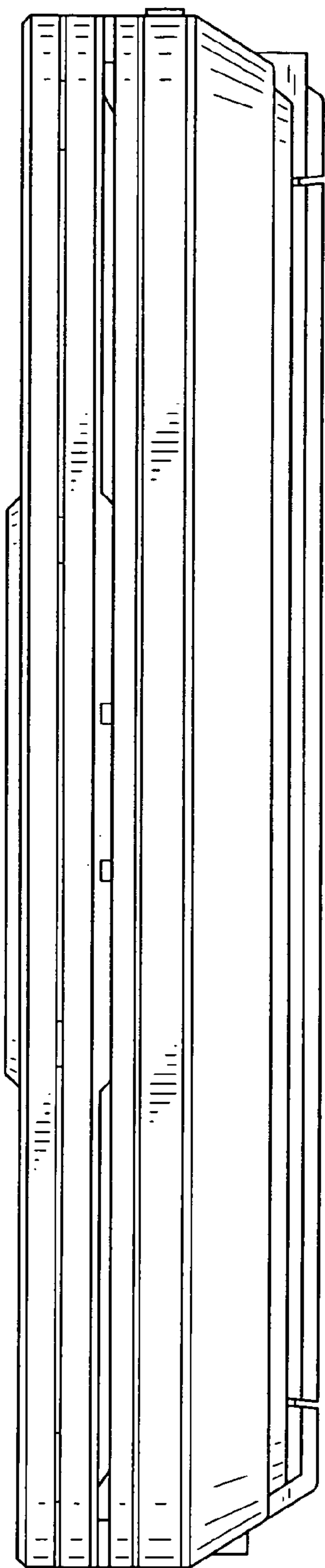


FIG. 2

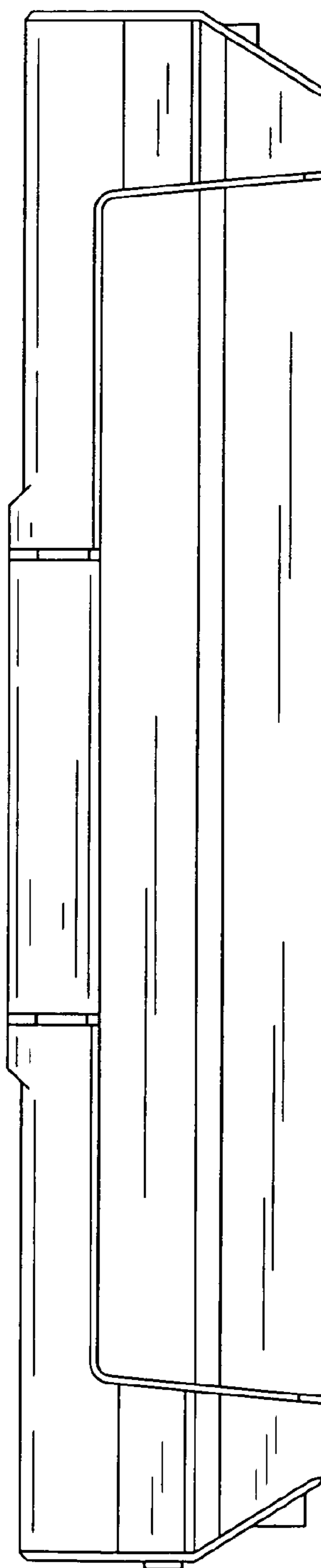


FIG. 3

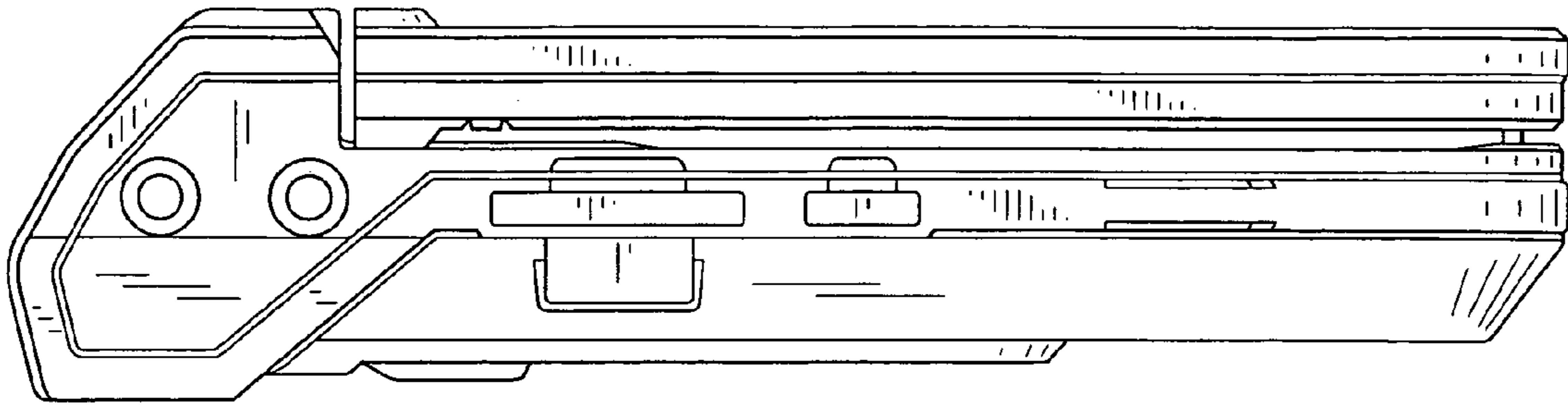


FIG. 4

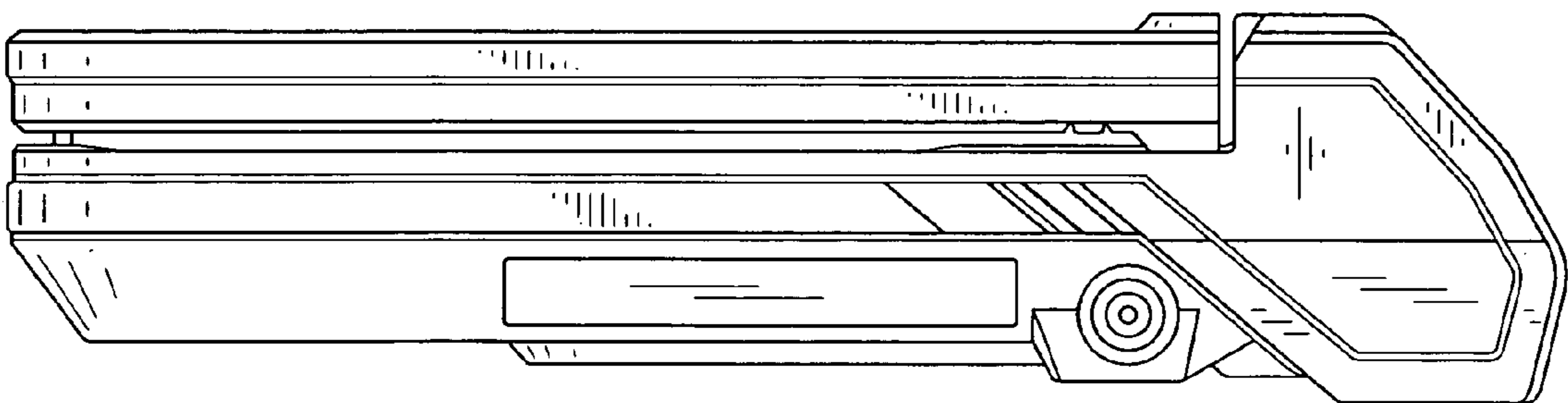


FIG. 5

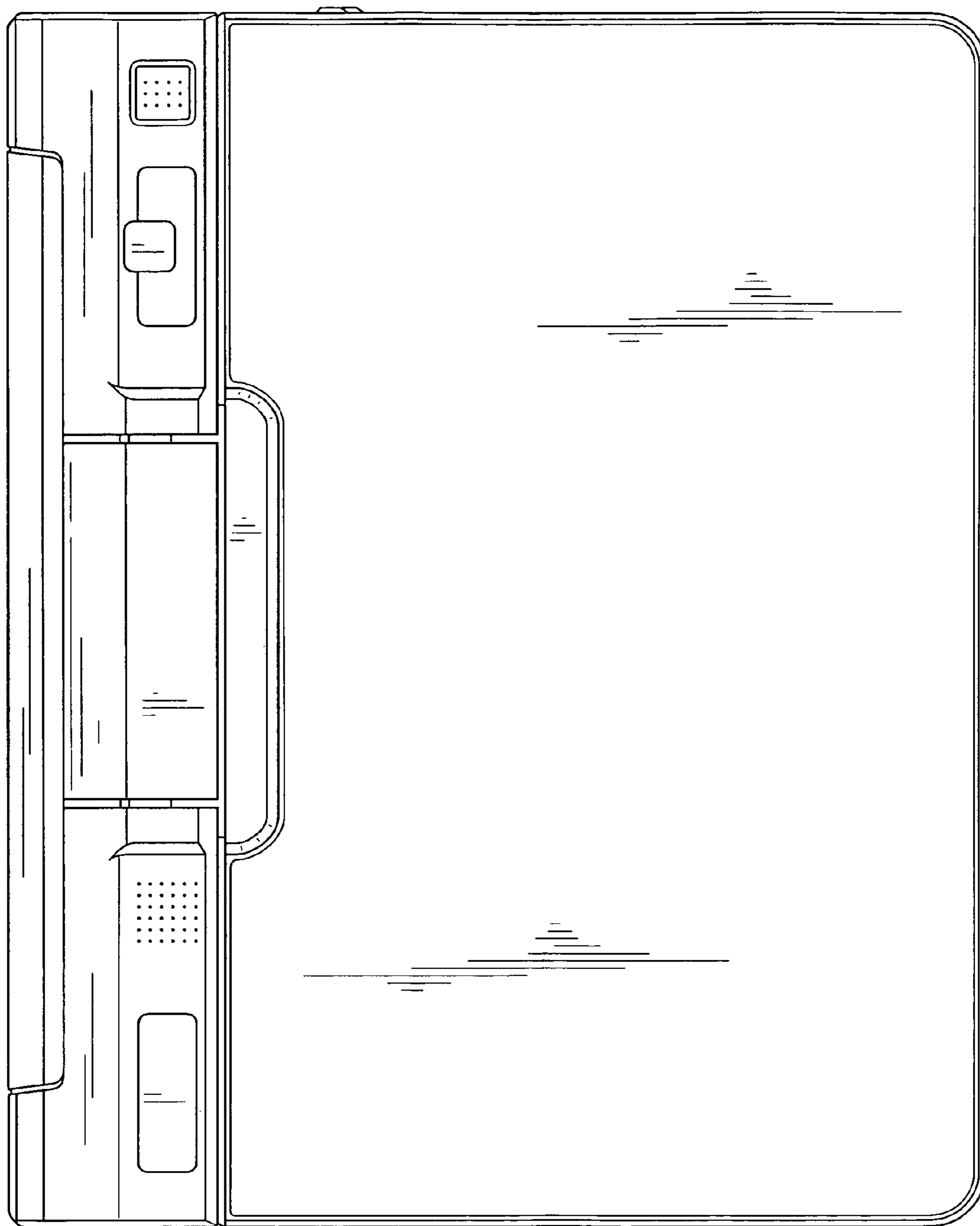


FIG. 6

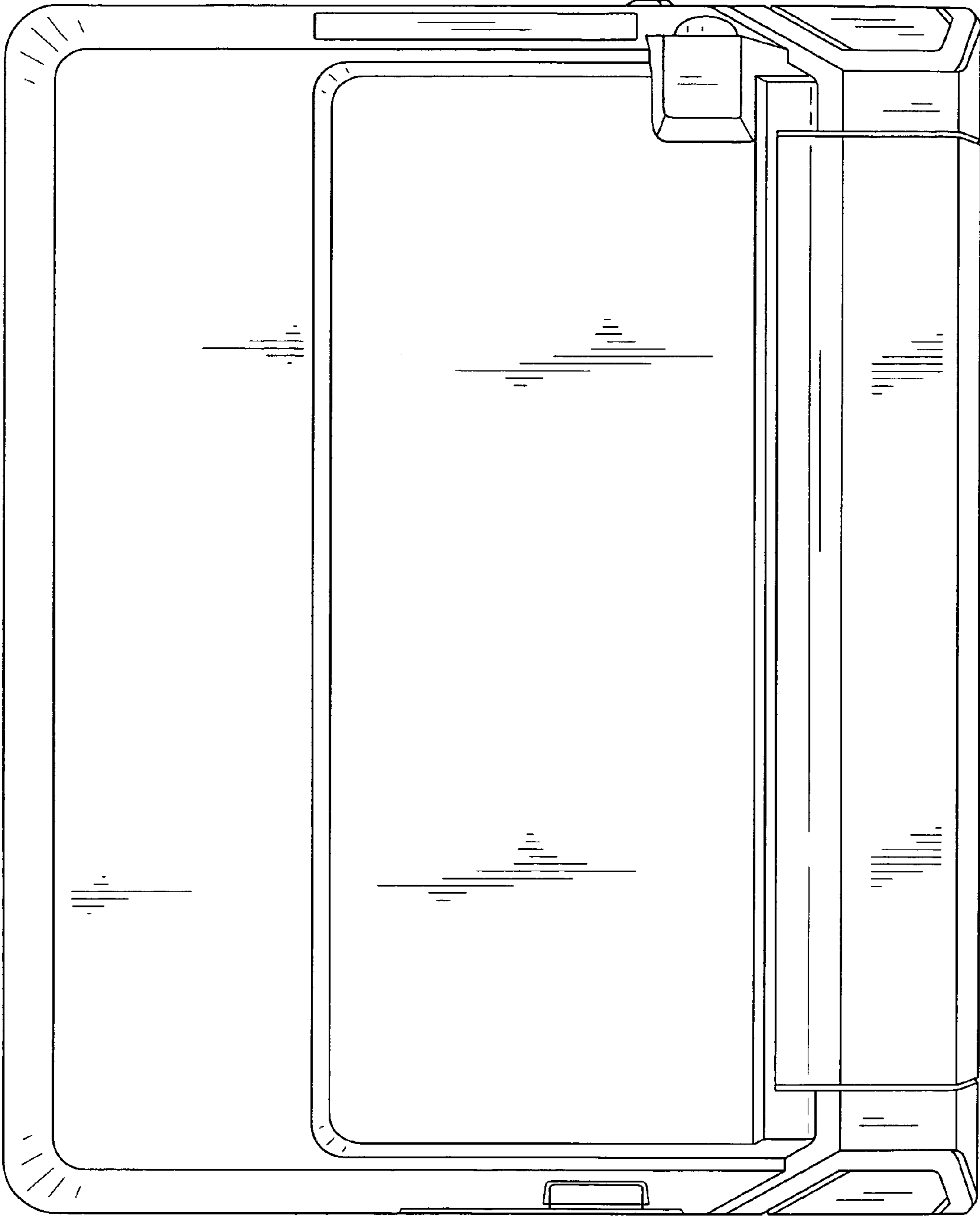


FIG. 7

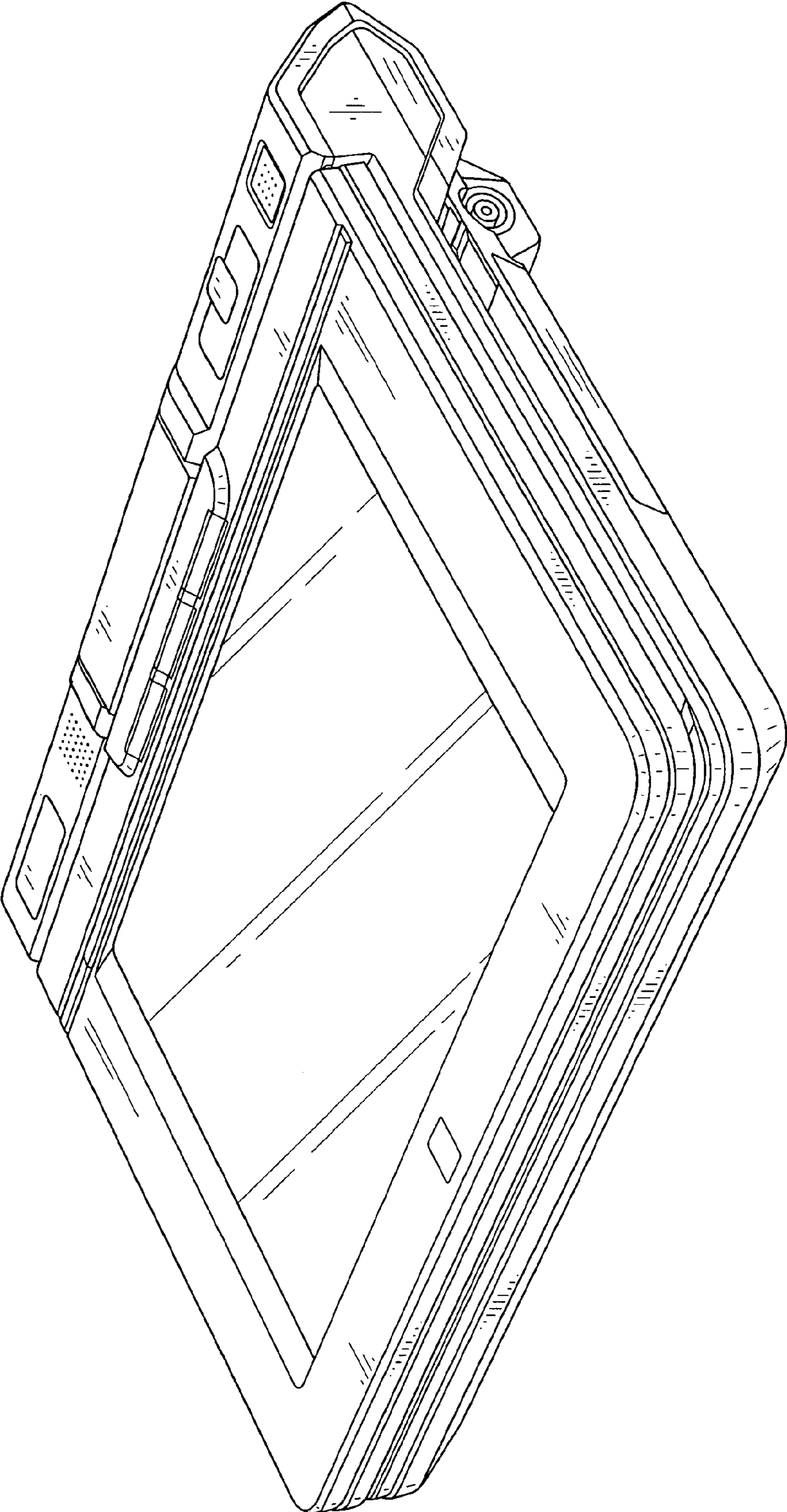


FIG. 8

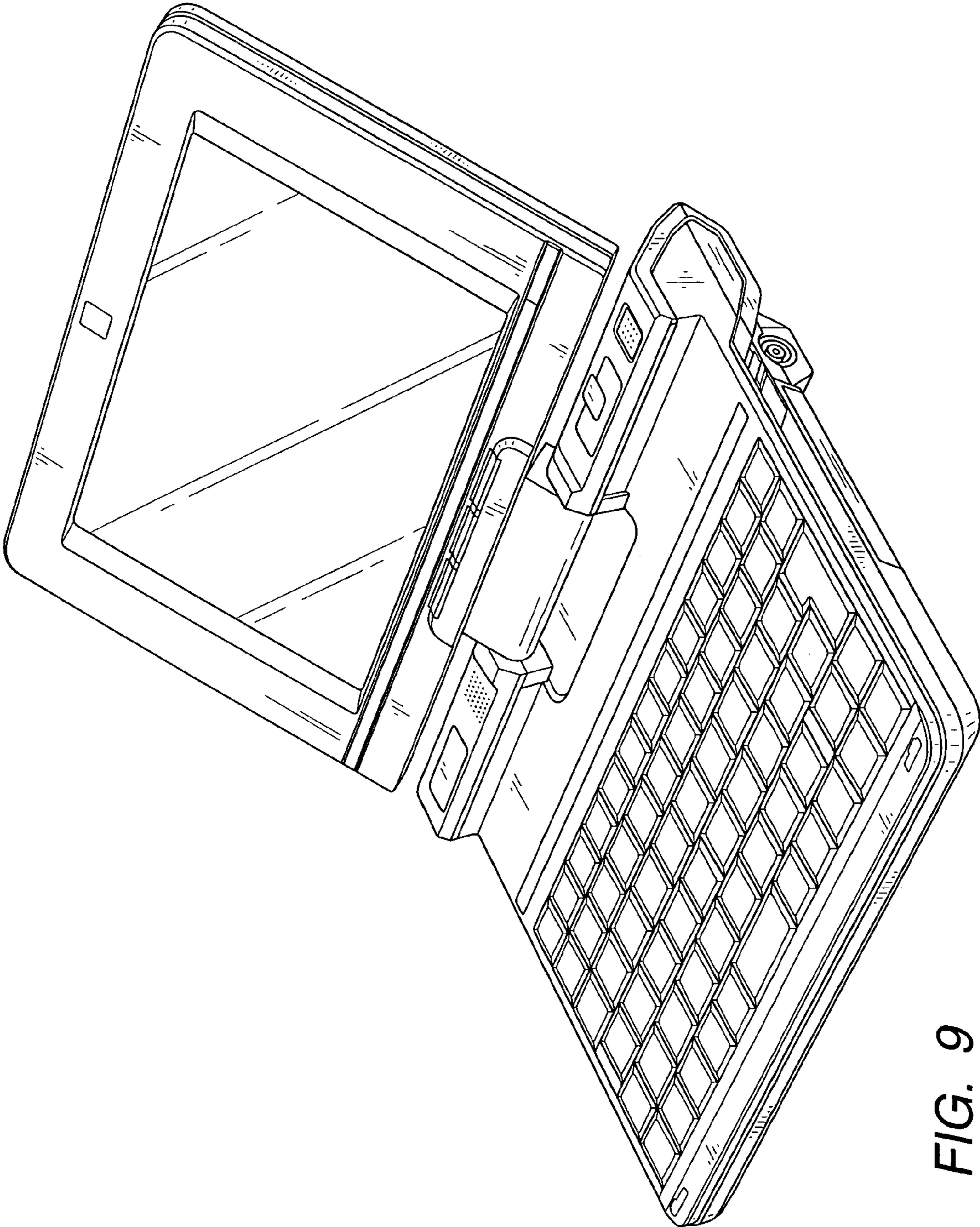


FIG. 9