



US00D615072S

(12) **United States Design Patent**  
**Saitou**

(10) **Patent No.:** **US D615,072 S**  
(45) **Date of Patent:** **\*\* May 4, 2010**

(54) **MONITOR STAND**

2004/0251388 A1\* 12/2004 Williams ..... 248/274.1

(75) Inventor: **Hideyuki Saitou**, Kanagawa (JP)

\* cited by examiner

(73) Assignee: **Okamura Corporation**, Kanagawa (JP)

*Primary Examiner*—Raphael Barkai  
*Assistant Examiner*—Randall H Gholson

(\*\*) Term: **14 Years**

(74) *Attorney, Agent, or Firm*—Sughrue Mion, PLLC

(21) Appl. No.: **29/334,936**

(57) **CLAIM**

(22) Filed: **Apr. 6, 2009**

The ornamental design for a monitor stand, as shown and described.

(30) **Foreign Application Priority Data**

**DESCRIPTION**

Oct. 9, 2008 (JP) ..... 2008-026132

(51) **LOC (9) Cl.** ..... **14-03**

(52) **U.S. Cl.** ..... **D14/239**

(58) **Field of Classification Search** ..... D14/125–134,  
D14/239, 371, 136, 374–377; D8/363, 373,  
D8/349, 394; 248/465, 917–924, 123.11;  
348/825, 827, 836, 837, 838, 180, 184, 325,  
348/739; 600/443; D6/477–479, 407, 474,  
D6/460, 461, 468; 312/7.2; 341/12; 345/87,  
345/104, 133, 156, 168, 169, 173; 720/605,  
720/669, 600, 655; 369/99, 197; 455/344–347;  
349/1, 2, 11, 62; 108/59, 91, 92, 96; 211/40,  
211/41.12, 42, 49.1, 50, 85.2, 90.04, 187,  
211/190, 119.003, 134.153, 87.01, 71.01

See application file for complete search history.

FIG. 1 is a perspective view of a monitor stand.  
FIG. 2 is a front elevation view thereof.  
FIG. 3 is a top plan view thereof.  
FIG. 4 is a rear elevation view thereof.  
FIG. 5 is a bottom plan view thereof.  
FIG. 6 is a right side elevation view thereof.  
FIG. 7 is a cross sectional view thereof taken along the line 7–7 in FIG. 2.  
FIG. 8 is a cross sectional view thereof taken along the line 8–8 in FIG. 2.  
FIG. 9 is a cross sectional view thereof taken along the line 9–9 in FIG. 8.  
FIG. 10 is an enlarged view of the portion of the monitor stand shown in FIG. 8.  
FIG. 11 is an enlarged view of the portion of the monitor stand shown in FIG. 9.  
FIG. 12 is a referential perspective view thereof where the monitor suspension is taken down; and,  
FIG. 13 is a referential perspective view thereof with the monitor.  
The portion of the article shown in broken lines is for the purpose of showing environmental structure only and forms no part of the claimed design.

(56) **References Cited**

**U.S. PATENT DOCUMENTS**

D474,047 S *	5/2003	Lara	.....	D6/479
D537,658 S *	3/2007	Tung	.....	D6/479
D539,126 S *	3/2007	Stenhouse et al.	.....	D8/373
D539,565 S *	4/2007	Sexton, III	.....	D6/474
D539,637 S *	4/2007	Ly Hau et al.	.....	D8/373
D549,232 S *	8/2007	Li et al.	.....	D14/447
7,261,261 B2 *	8/2007	Ligertwood	.....	248/129
D591,089 S *	4/2009	Sexton	.....	D6/479
D593,776 S *	6/2009	Sexton	.....	D6/478
D600,945 S *	9/2009	Kelsen	.....	D6/449
D603,386 S *	11/2009	Le	.....	D14/239

**1 Claim, 13 Drawing Sheets**

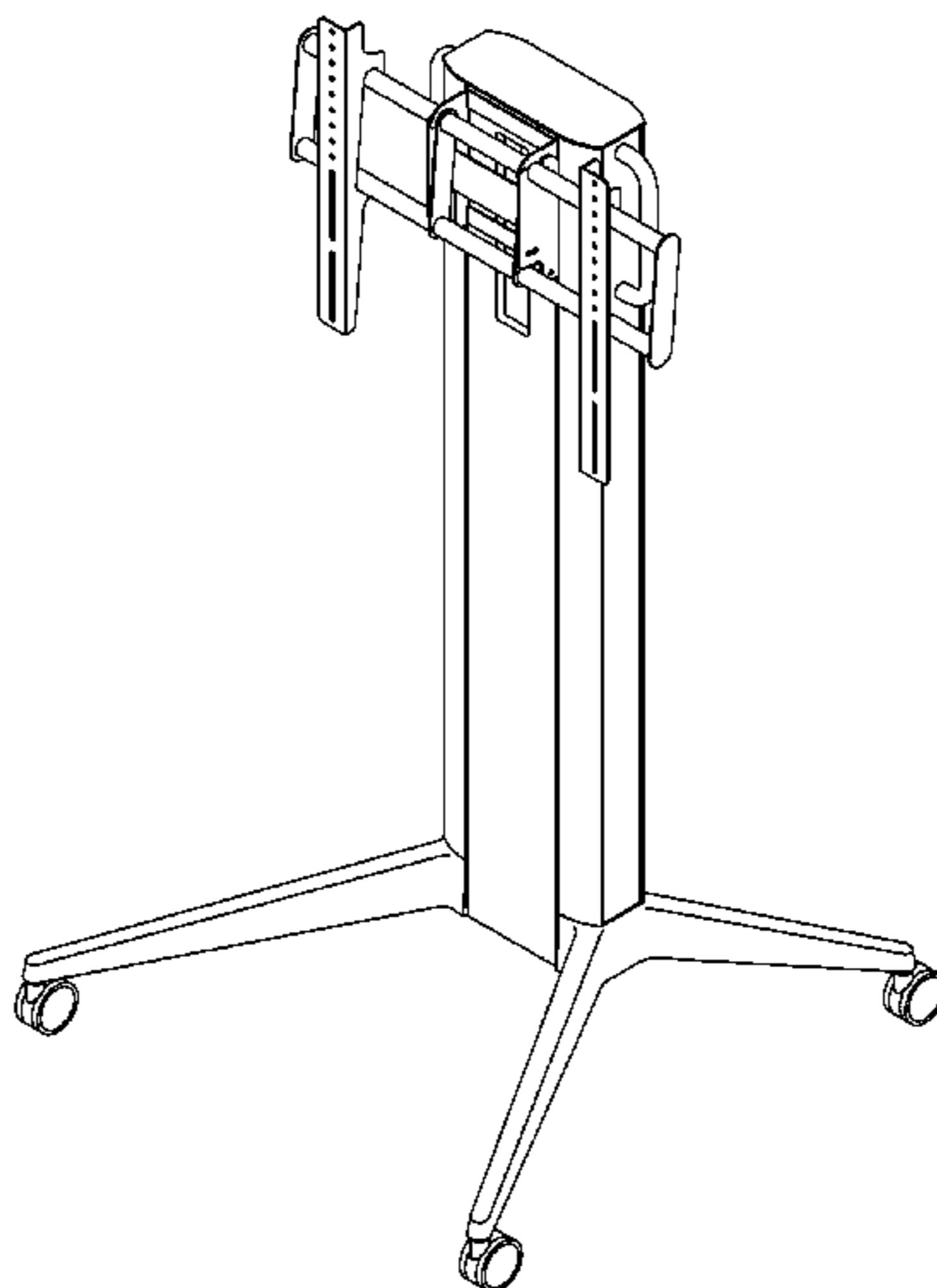


FIG. 1

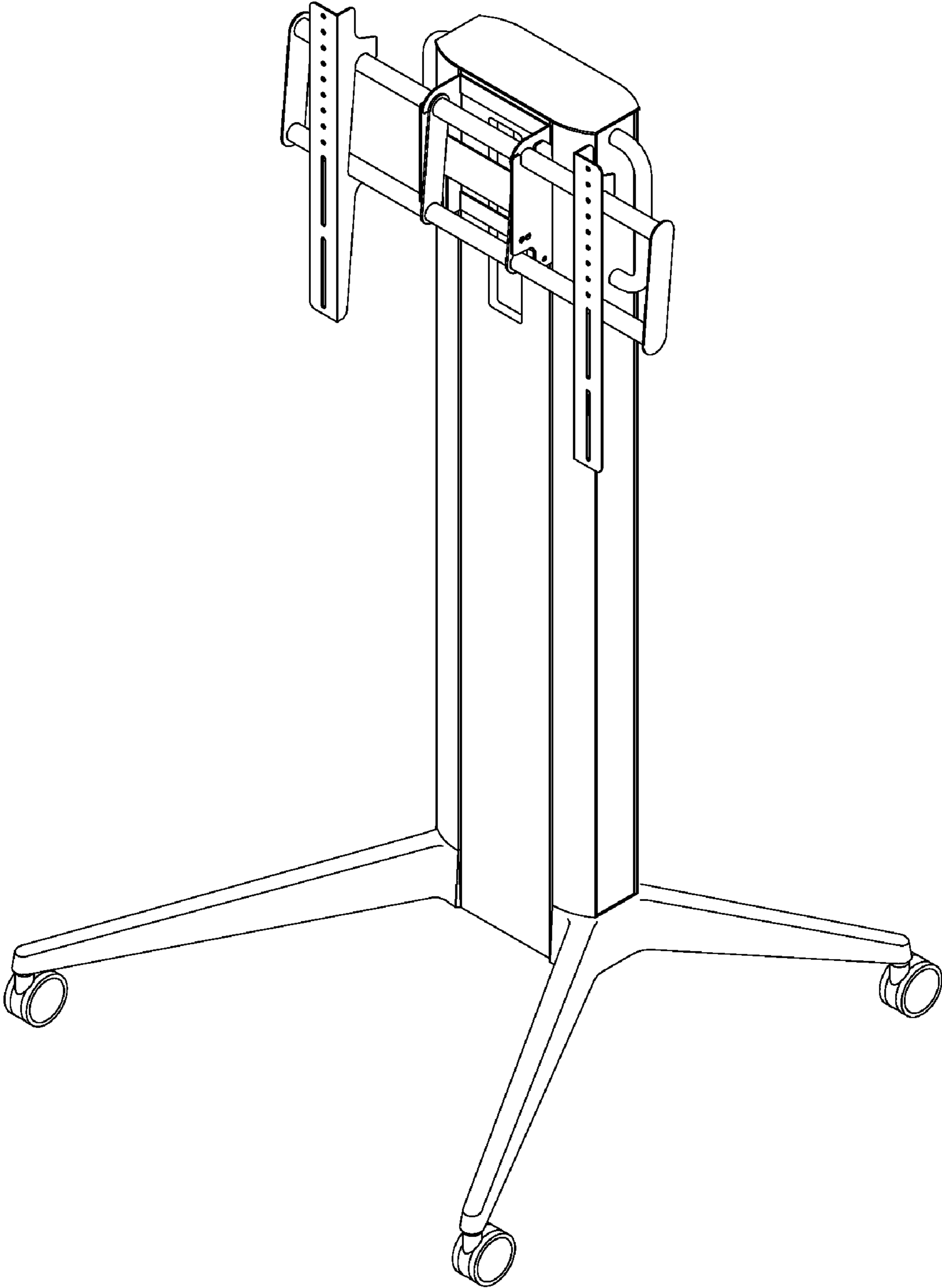


FIG. 2

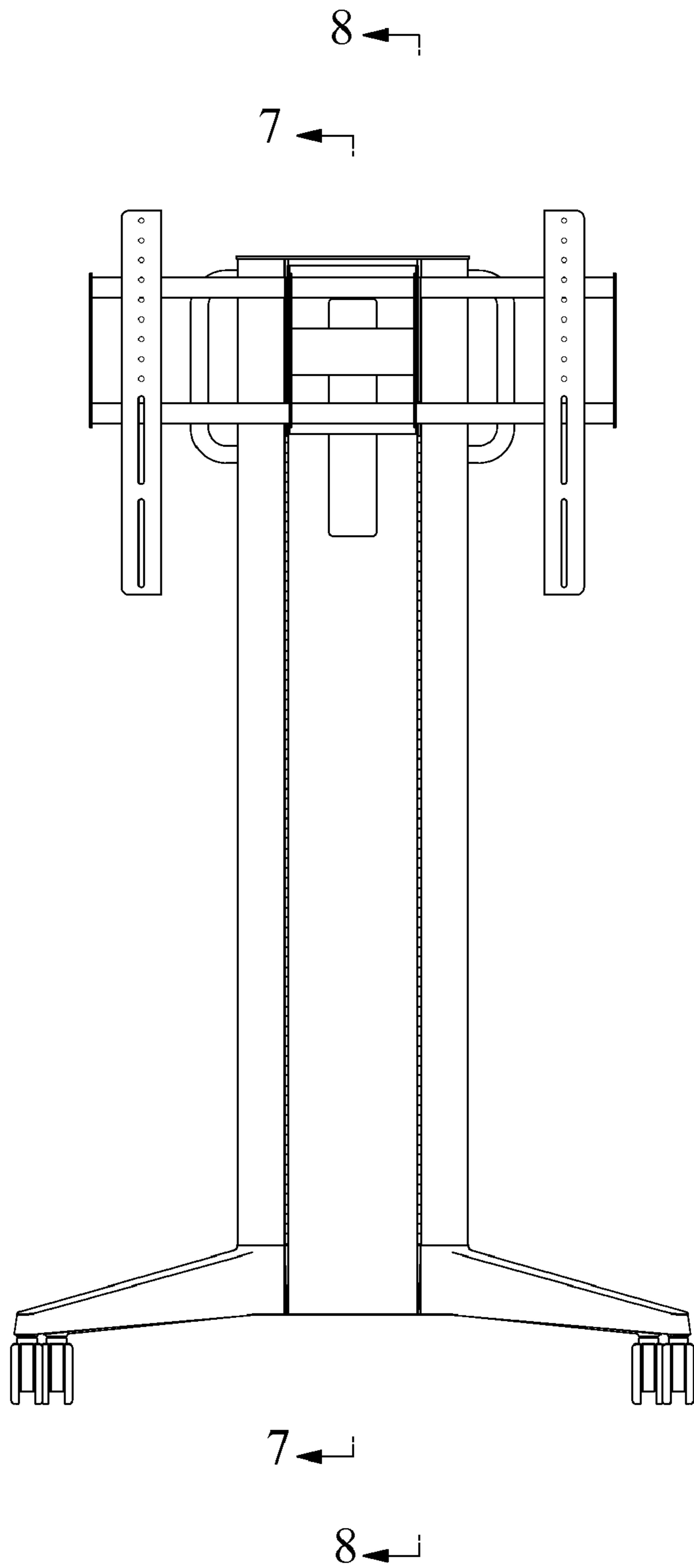


FIG. 3

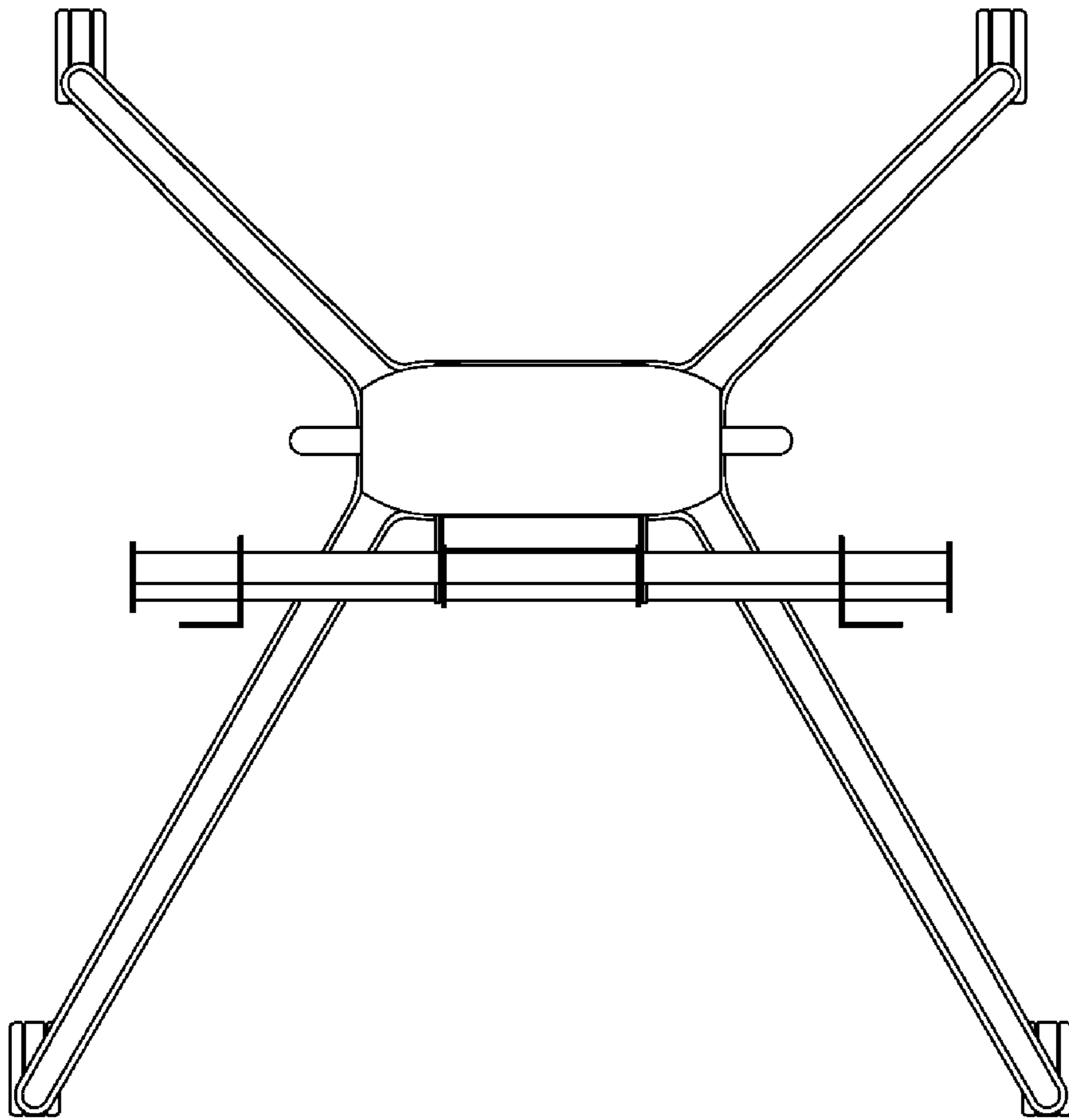


FIG. 4

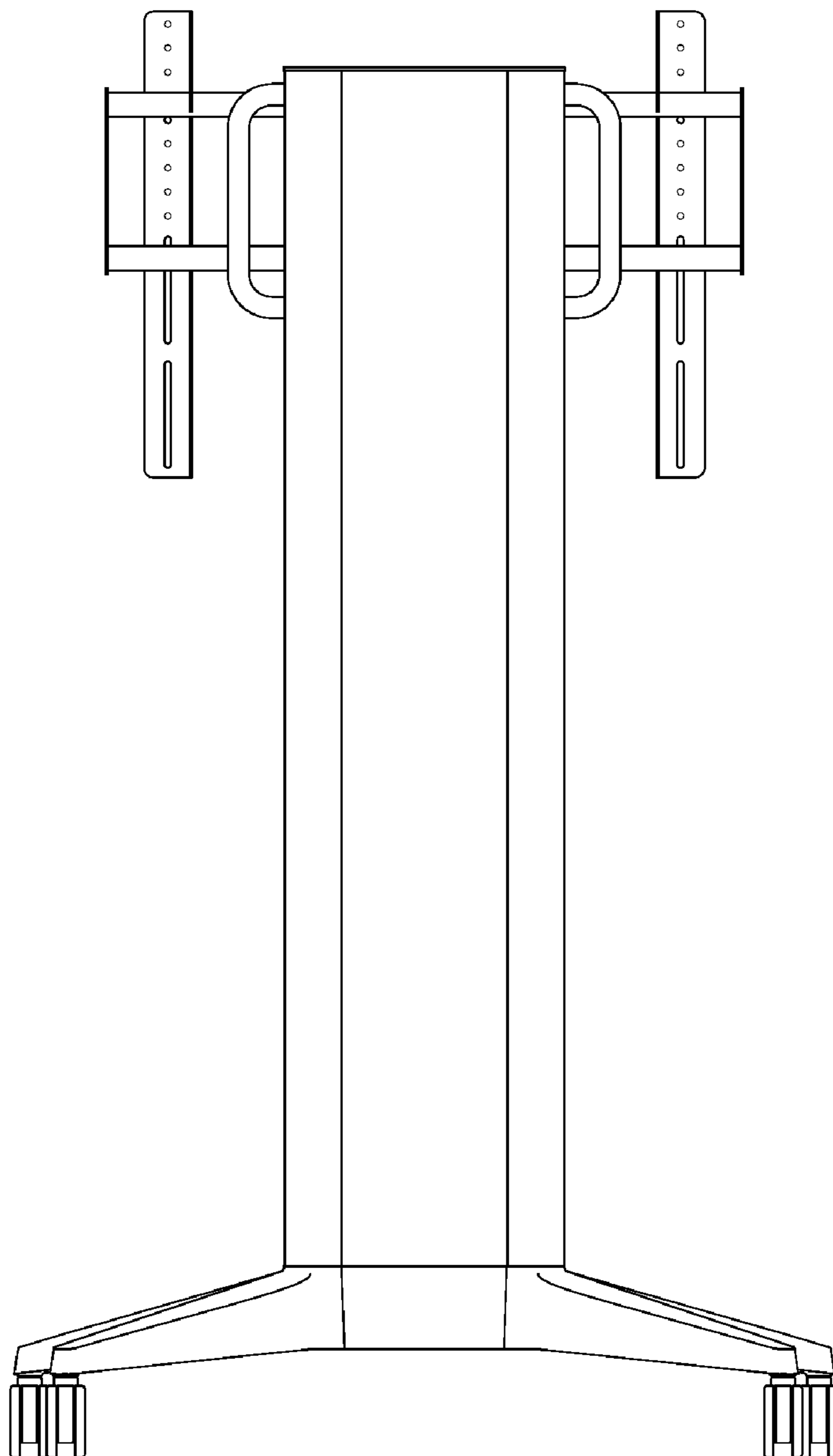


FIG. 5

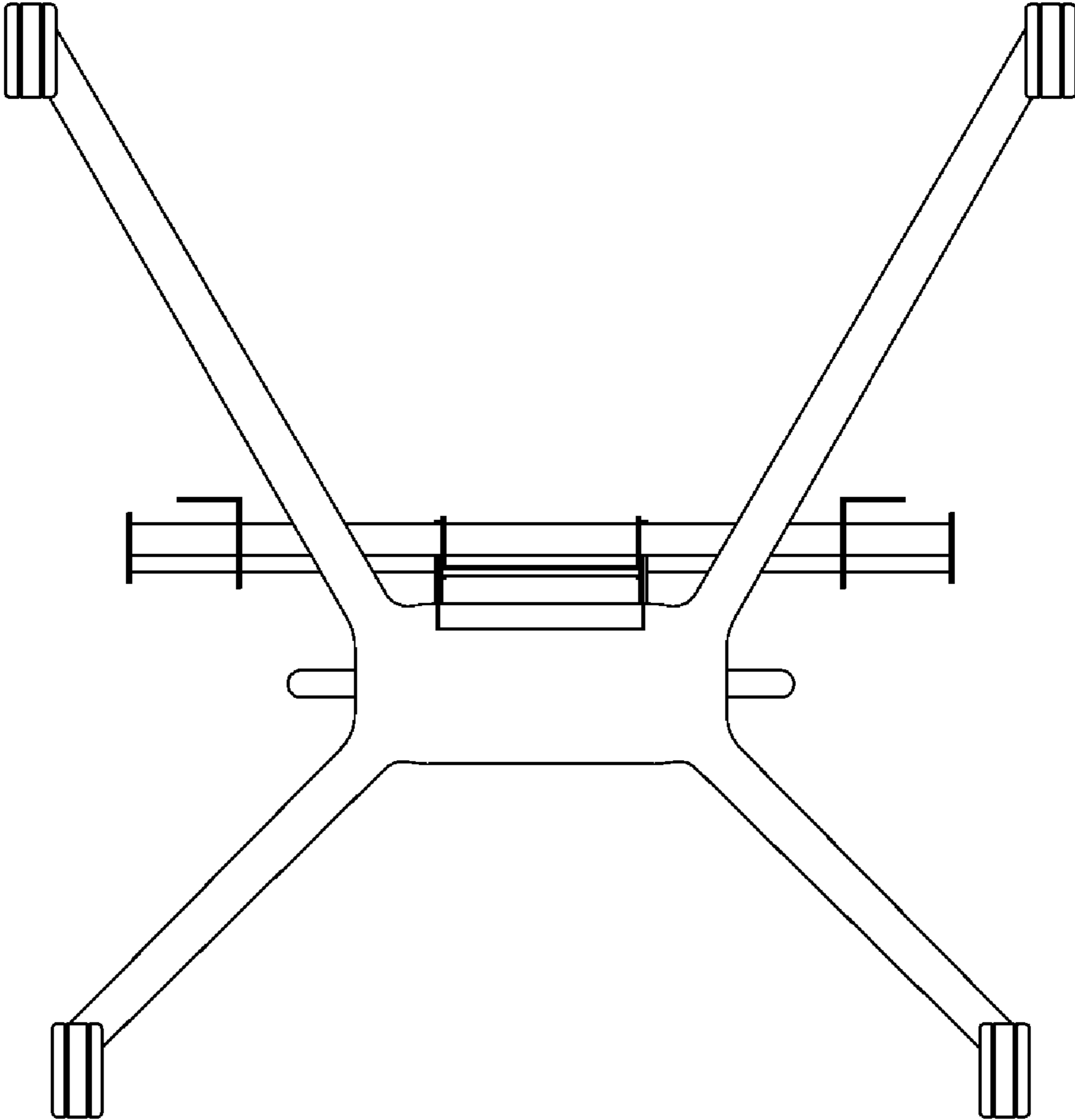


FIG. 6

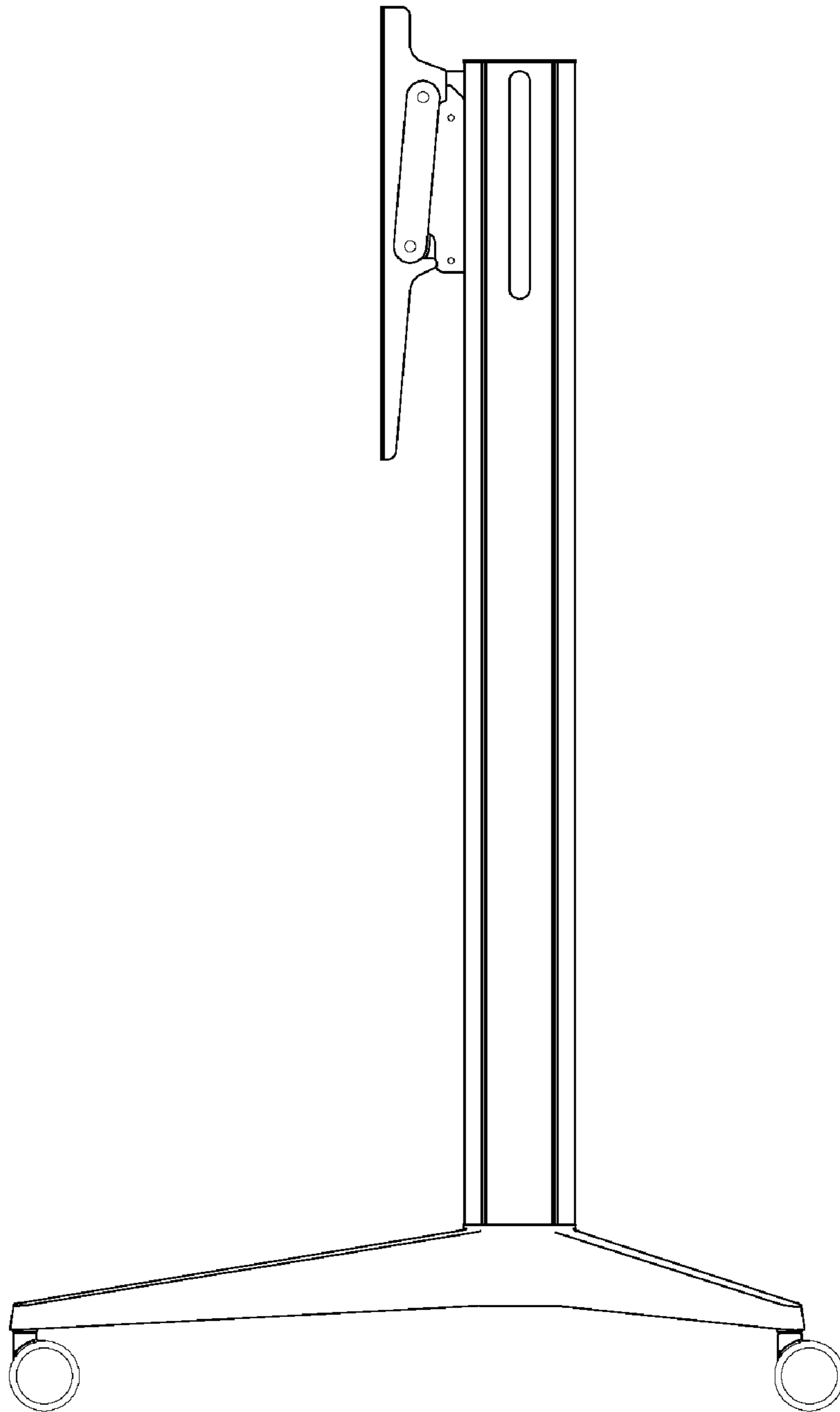


FIG. 7

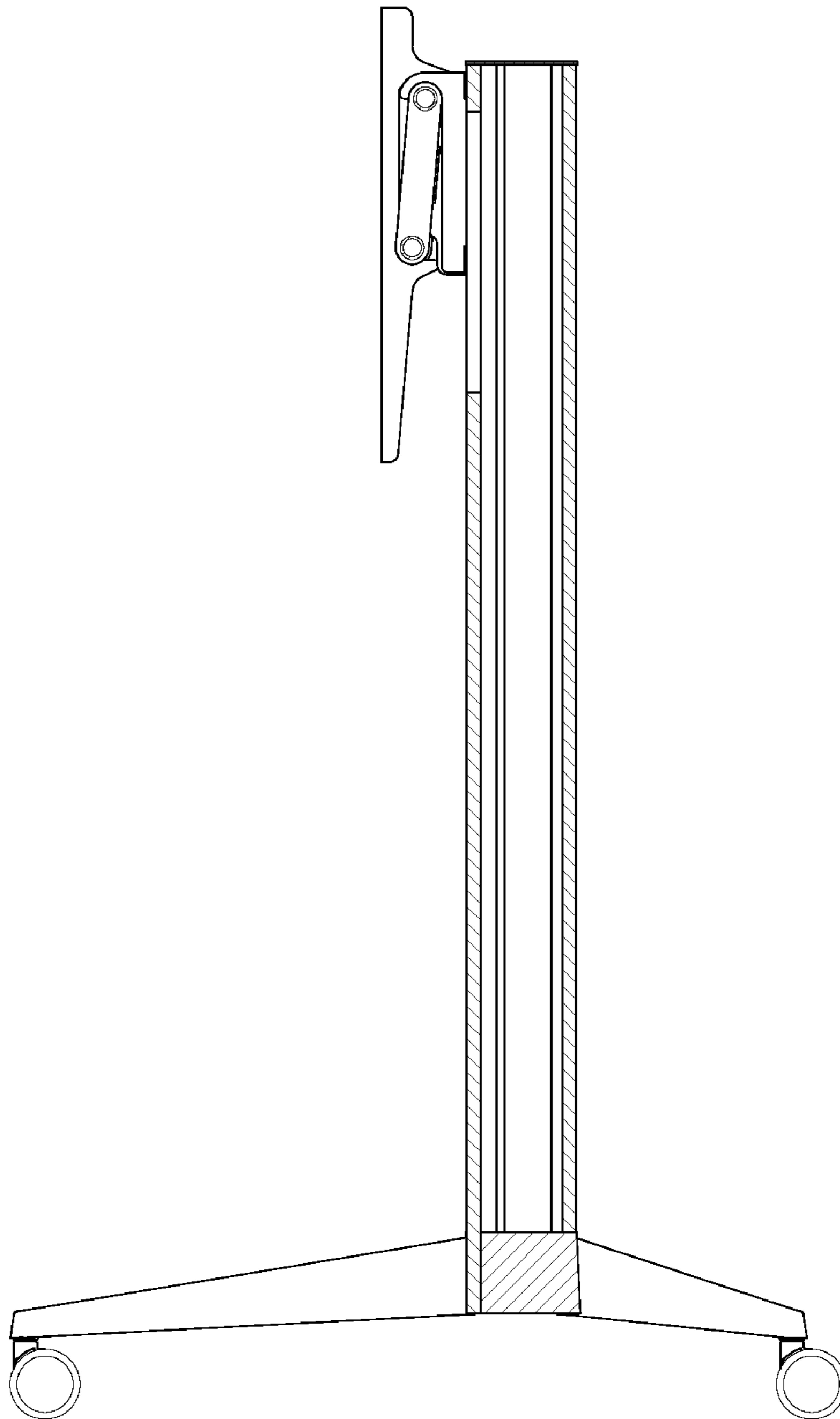




FIG. 8

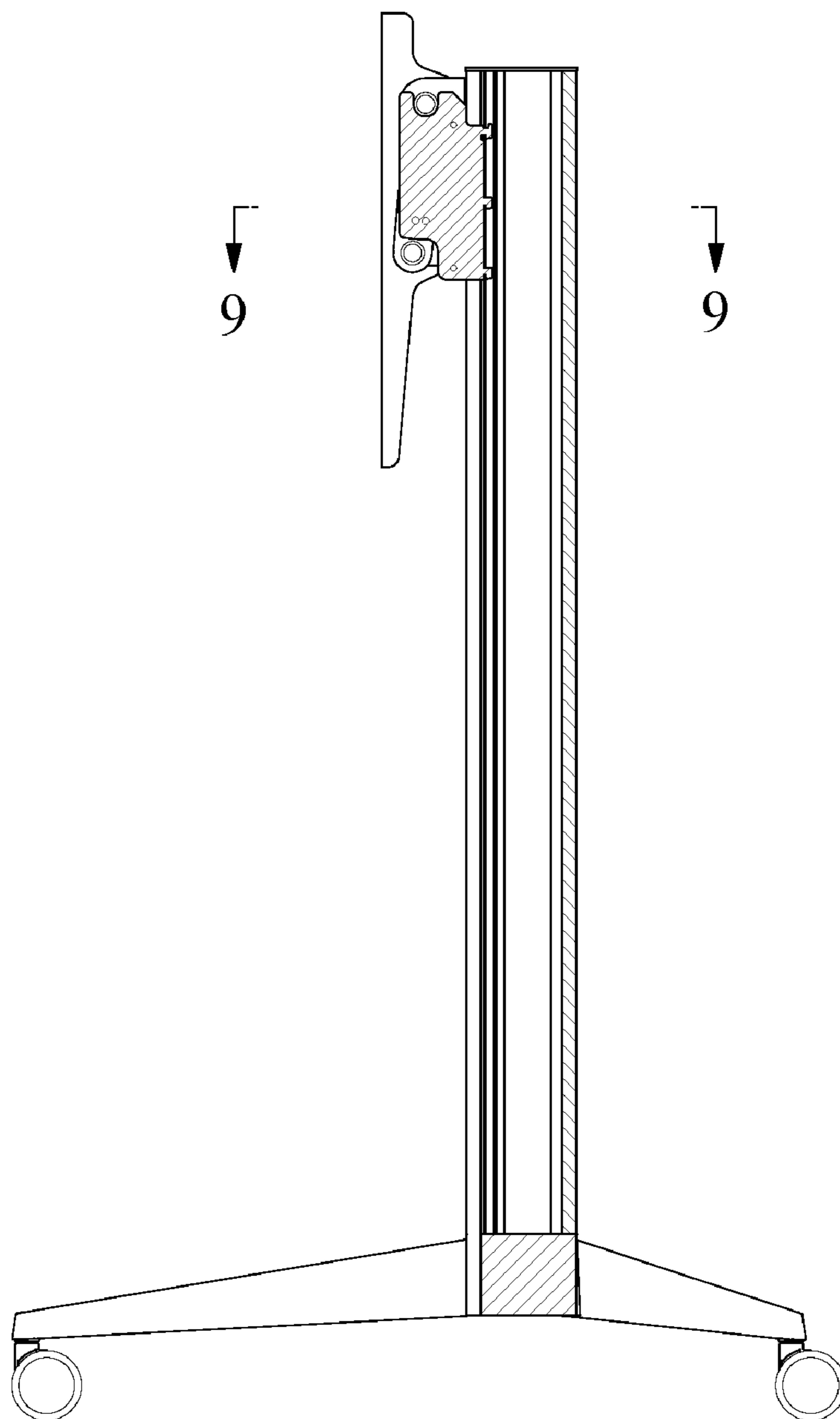


FIG. 9

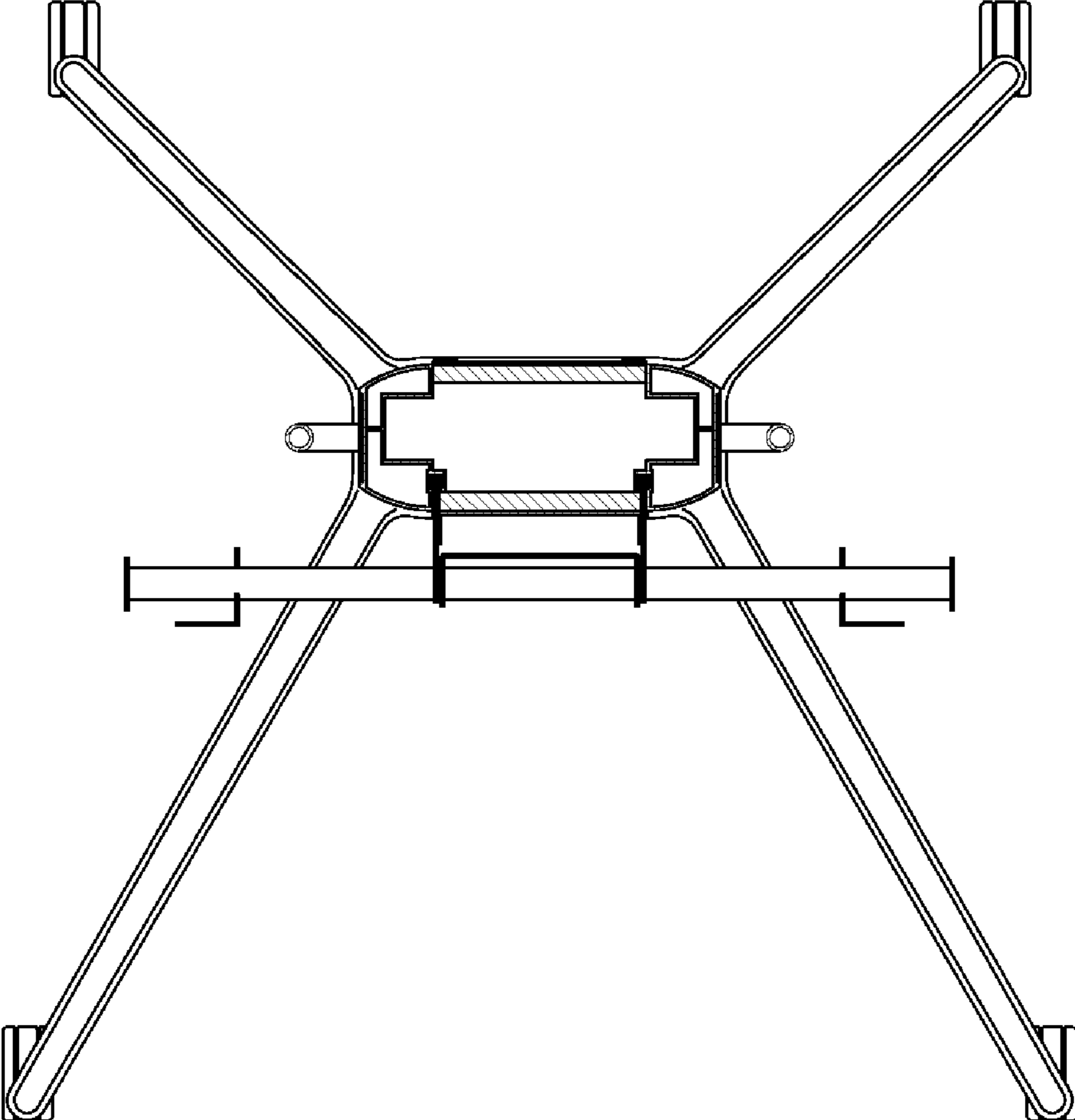


FIG. 10

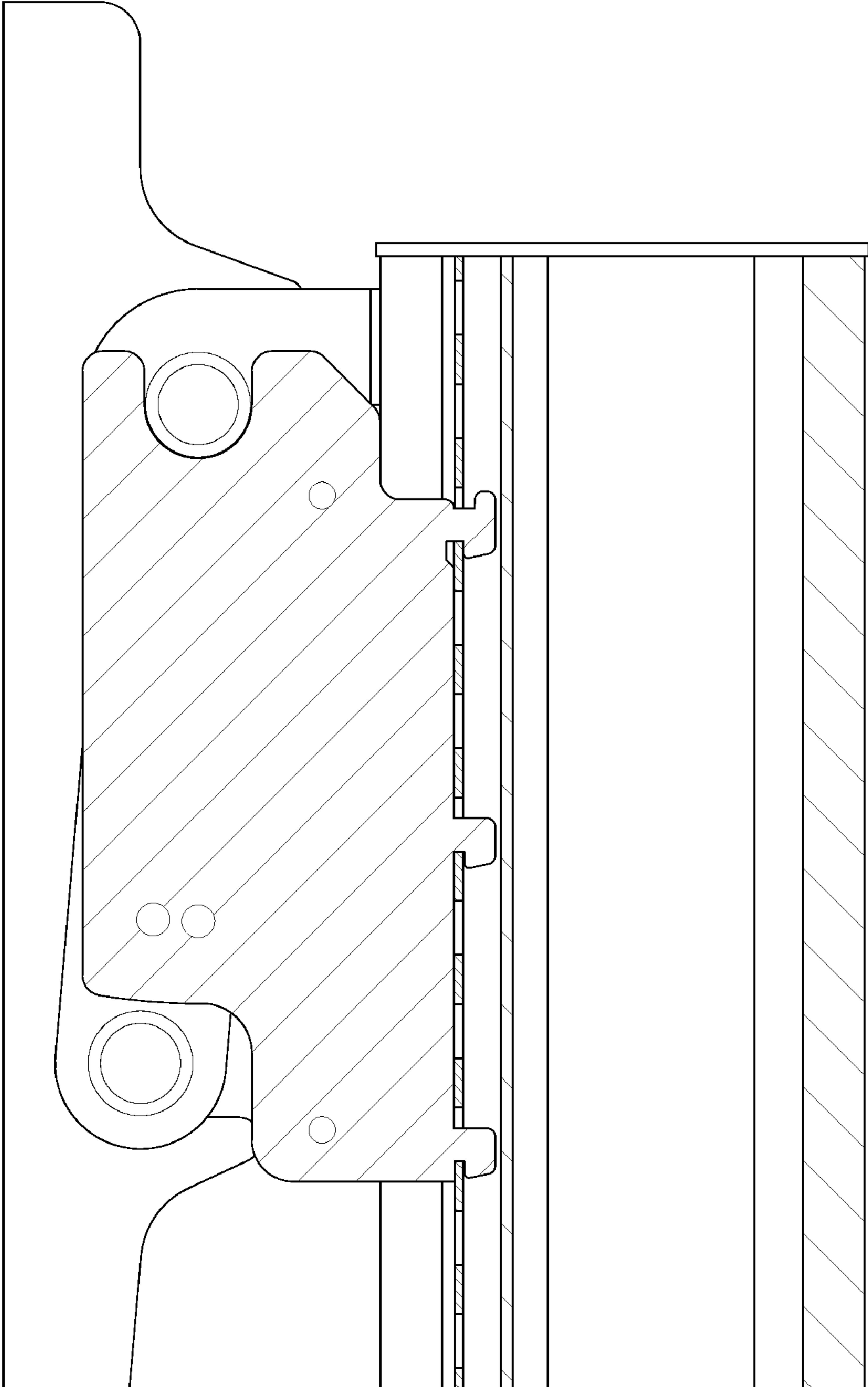


FIG. 11

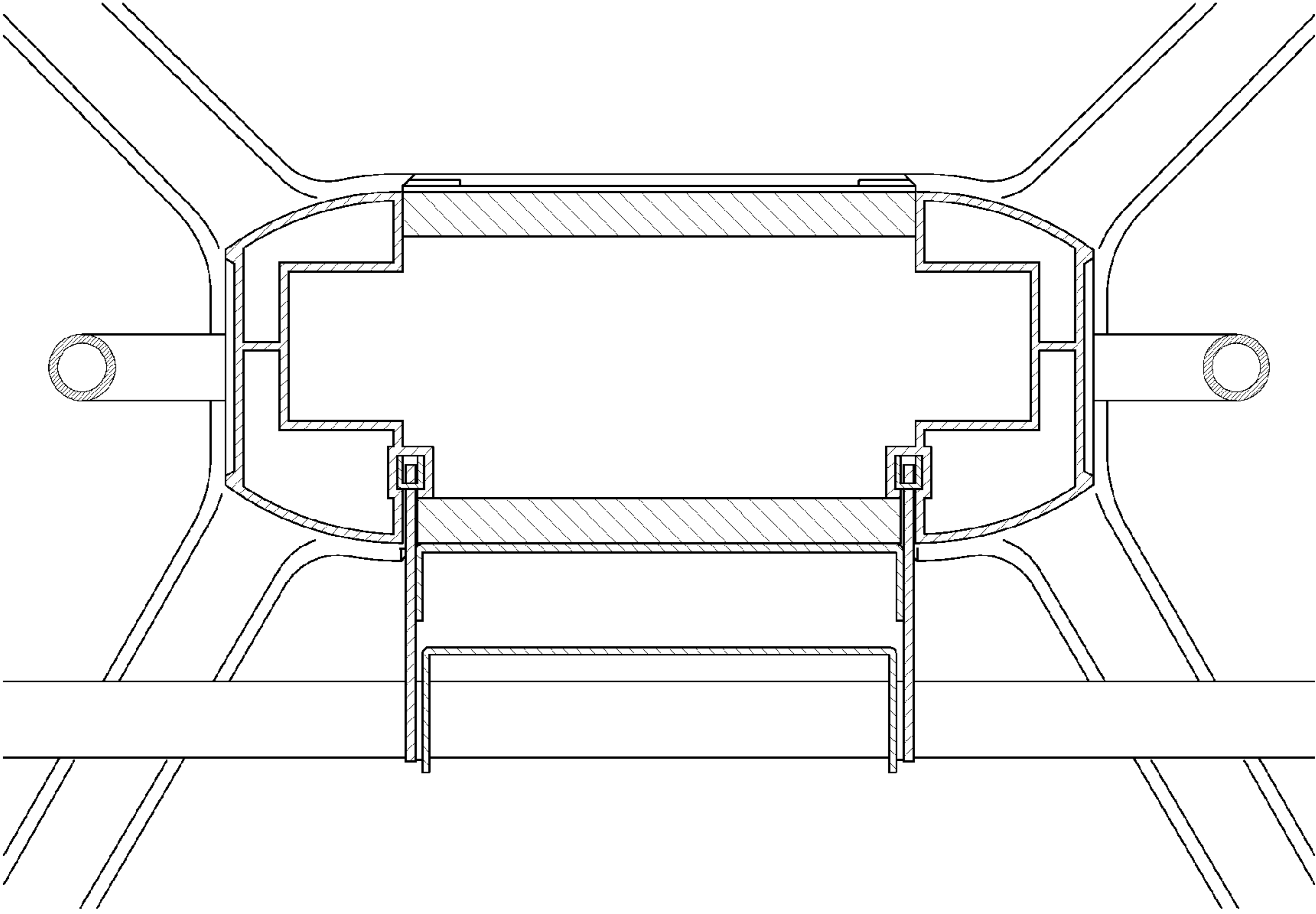


FIG. 12

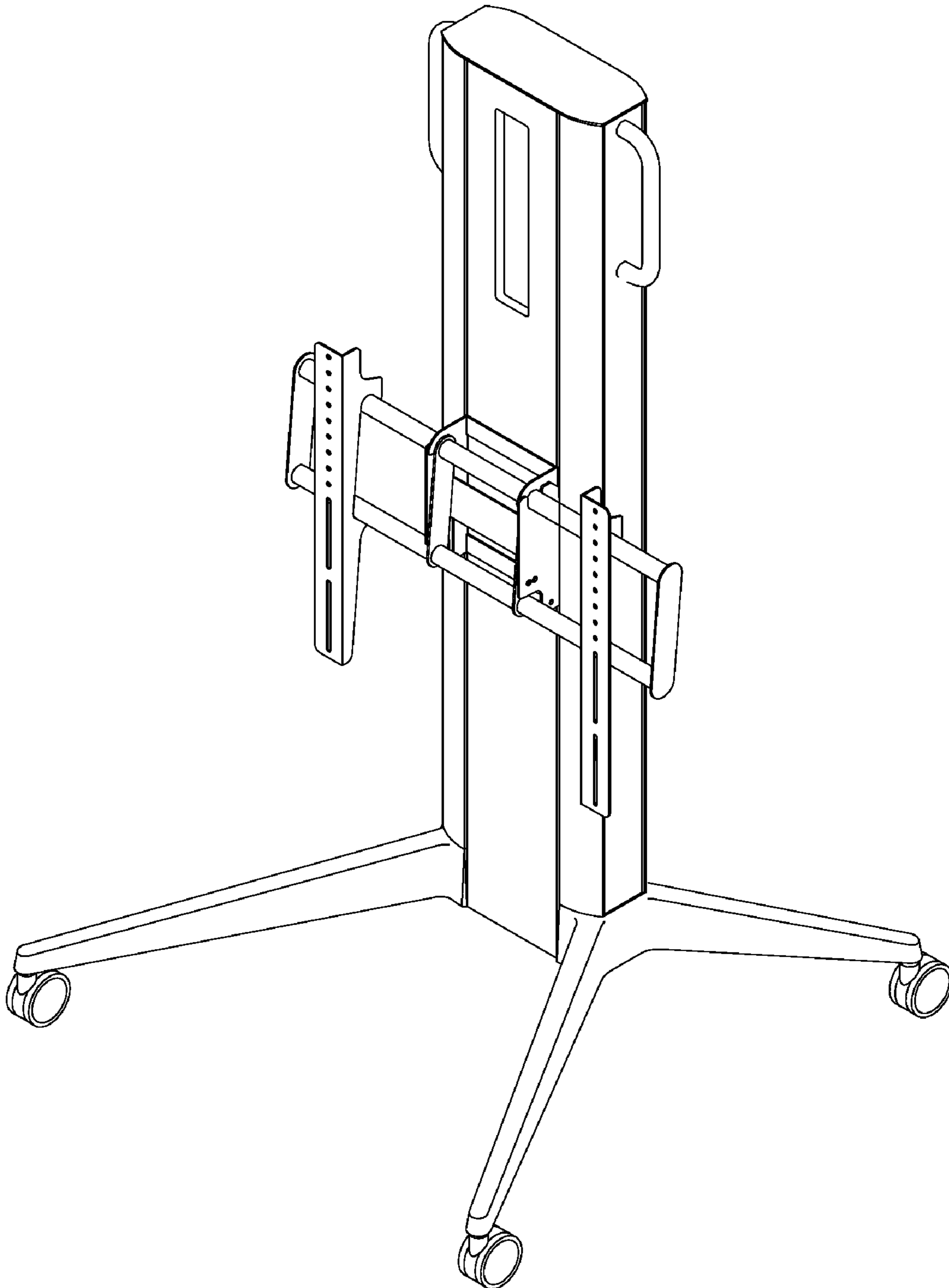


FIG. 13

