



US00D615070S

(12) **United States Design Patent**
Andre et al.

(10) **Patent No.:** **US D615,070 S**
(45) **Date of Patent:** **** May 4, 2010**

(54) **EAR PIECE**

(75) Inventors: **Bartley K. Andre**, Menlo Park, CA (US); **Daniel J. Coster**, San Francisco, CA (US); **Daniele De Iullis**, San Francisco, CA (US); **Richard P. Howarth**, San Francisco, CA (US); **Jonathan P. Ive**, San Francisco, CA (US); **Duncan Robert Kerr**, San Francisco, CA (US); **Shin Nishibori**, Portola Valley, CA (US); **Matthew Dean Rohrbach**, San Francisco, CA (US); **Peter Russell-Clarke**, San Francisco, CA (US); **Douglas B. Satzger**, Menlo Park, CA (US); **Calvin Q. Seid**, Palo Alto, CA (US); **Christopher J. Stringer**, Woodside, CA (US); **Eugene Antony Whang**, San Francisco, CA (US); **Rico Zorkendorfer**, San Francisco, CA (US)

(73) Assignee: **Apple Inc.**, Cupertino, CA (US)

(**) Term: **14 Years**

(21) Appl. No.: **29/339,483**

(22) Filed: **Jun. 30, 2009**

Related U.S. Application Data

(63) Continuation of application No. 29/321,427, filed on Jul. 16, 2008, now Pat. No. Des. 595,270.

(51) **LOC (9) Cl.** **14-01**

(52) **U.S. Cl.** **D14/223**

(58) **Field of Classification Search** D14/205, D14/206, 223, 188, 192; 181/129, 130, 135; 381/328, 330, 380, 381; 379/430, 420.04, 379/433.02, 433.03; 455/90.2, 575.2; 128/865; D24/106, 174; D8/307, 310; D19/58; D12/179
See application file for complete search history.

(56) **References Cited**

U.S. PATENT DOCUMENTS

1,556,966 A * 10/1925 Selig 16/441

(Continued)

FOREIGN PATENT DOCUMENTS

CN 20053005843.0 4/2005

(Continued)

OTHER PUBLICATIONS

English Translation of a search report for Taiwan Patent Application No. 096303170, dated Mar. 25, 2008.
U.S. Appl. No. 29/270,881, titled "Ear Piece", filed Jan. 5, 2007.

Primary Examiner—Paula Greene

(74) *Attorney, Agent, or Firm*—Sterne, Kessler, Goldstein & Fox P.L.L.C.

(57) **CLAIM**

The ornamental design for an ear piece, as shown and described.

DESCRIPTION

FIG. 1 is a front perspective view of an ear piece showing our new design.

FIG. 2 is a front view thereof;

FIG. 3 is a rear view thereof;

FIG. 4 is a top plan view thereof;

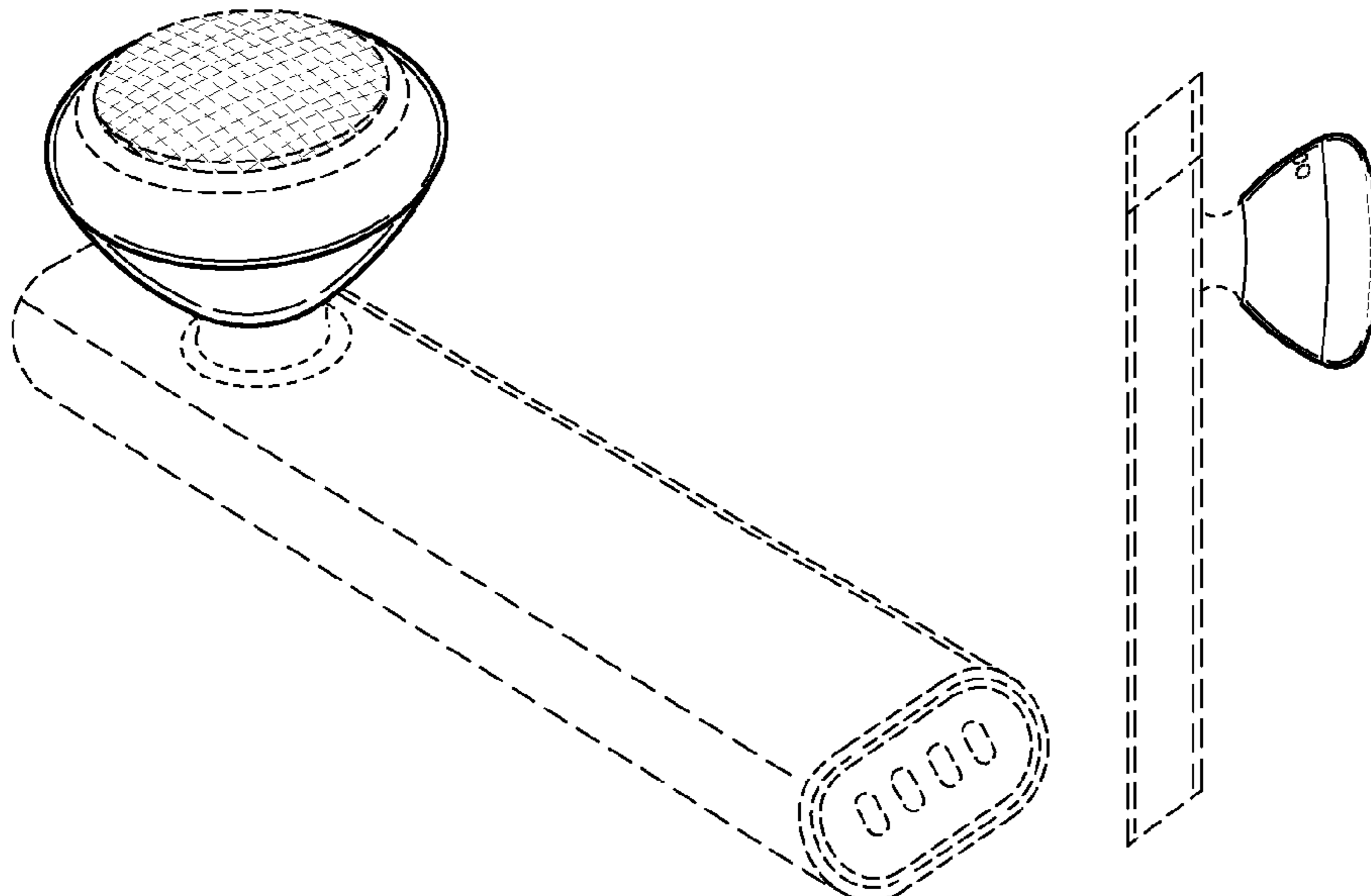
FIG. 5 is a bottom plan view thereof;

FIG. 6 is a right side view thereof; and,

FIG. 7 is a left side view thereof.

The broken lines in the Figures show portions of the ear piece that form no part of the claimed design.

1 Claim, 2 Drawing Sheets



US D615,070 S

Page 2

U.S. PATENT DOCUMENTS

1,650,039	A	11/1927	Price	
2,304,036	A *	12/1942	Tegarty	156/245
2,325,590	A	7/1943	Carlisle et al.	
D153,577	S	5/1949	Bland	
D172,313	S *	5/1954	Rucker	D19/46
2,688,297	A *	9/1954	Livermont et al.	72/58
D179,458	S *	12/1956	Ohno	D8/310
D210,990	S *	5/1968	Schreckengost	D12/179
D270,634	S	9/1983	Ungar	
D278,234	S	4/1985	Saito	
4,588,867	A	5/1986	Konomi	
4,646,872	A	3/1987	Kamon et al.	
4,677,675	A	6/1987	Killion et al.	
D299,344	S	1/1989	Stevens	
4,893,344	A	1/1990	Tragardh et al.	
4,942,617	A	7/1990	Boylan	
D311,007	S	10/1990	Daido	
D316,550	S	4/1991	Sogabe	
D318,670	S	7/1991	Taniguchi et al.	
D318,864	S	8/1991	Daido et al.	
D318,865	S	8/1991	Ichikawa	
D326,655	S	6/1992	Iribe	
D331,057	S	11/1992	Isonaga	
5,185,802	A	2/1993	Stanton	
D334,043	S	3/1993	Taniguchi et al.	
D337,118	S	7/1993	Seikita	
D337,305	S	7/1993	Ross et al.	
D356,293	S	3/1995	Riley et al.	
D391,572	S	3/1998	Lee	
5,812,659	A *	9/1998	Mauney et al.	379/430
D410,079	S	5/1999	Falco et al.	
D430,139	S	8/2000	Peters et al.	
6,122,369	A	9/2000	Hwang et al.	
6,122,526	A	9/2000	Parulski et al.	
D432,523	S	10/2000	Grinkus et al.	
D438,525	S	3/2001	Katayama	
D441,735	S	5/2001	Katayama	
D446,499	S	8/2001	Andre et al.	
D454,110	S	3/2002	Andre et al.	
6,392,882	B1	5/2002	Chen et al.	

D469,753	S	2/2003	Andre et al.	
D473,207	S	4/2003	Tanio	
6,858,254	B2	2/2005	Conte	
D503,409	S	3/2005	Wong et al.	
D506,476	S	6/2005	Andre et al.	
D506,744	S	6/2005	Andre et al.	
6,922,476	B2	7/2005	Nassimi	
D515,070	S	2/2006	Andre et al.	
D515,545	S	2/2006	Griffin	
D516,579	S	3/2006	Nakamura	
7,013,164	B2	3/2006	Lin	
D521,936	S	5/2006	Novotney et al.	
D527,723	S	9/2006	Andre et al.	
D533,540	S	12/2006	Murray	
D534,184	S	12/2006	Leija et al.	
D534,545	S	1/2007	Leija et al.	
D537,074	S	2/2007	Andre et al.	
D538,271	S	3/2007	Kim et al.	
D539,787	S	4/2007	Kim et al.	
D539,814	S	4/2007	Andre et al.	
D542,267	S	5/2007	Cha et al.	
D550,215	S	9/2007	Udagawa et al.	
D551,250	S	9/2007	Andre et al.	
D552,596	S	10/2007	Christopher	
D559,836	S	1/2008	Lee	
D562,309	S	2/2008	Choi et al.	
D566,696	S	4/2008	Schmelling	
7,362,876	B2	4/2008	Tsai	
D568,876	S	5/2008	Tsai et al.	
D573,983	S	7/2008	Bang et al.	
D579,923	S	11/2008	Andre et al.	
D592,036	S *	5/2009	Domin	D8/307
D595,270	S	6/2009	Andre et al.	

FOREIGN PATENT DOCUMENTS

CN	3513646D	3/2006
CN	3543434D	7/2006
CN	3549064D	8/2006
JP	D1121650	9/2001
TW	D121118	12/1995

* cited by examiner

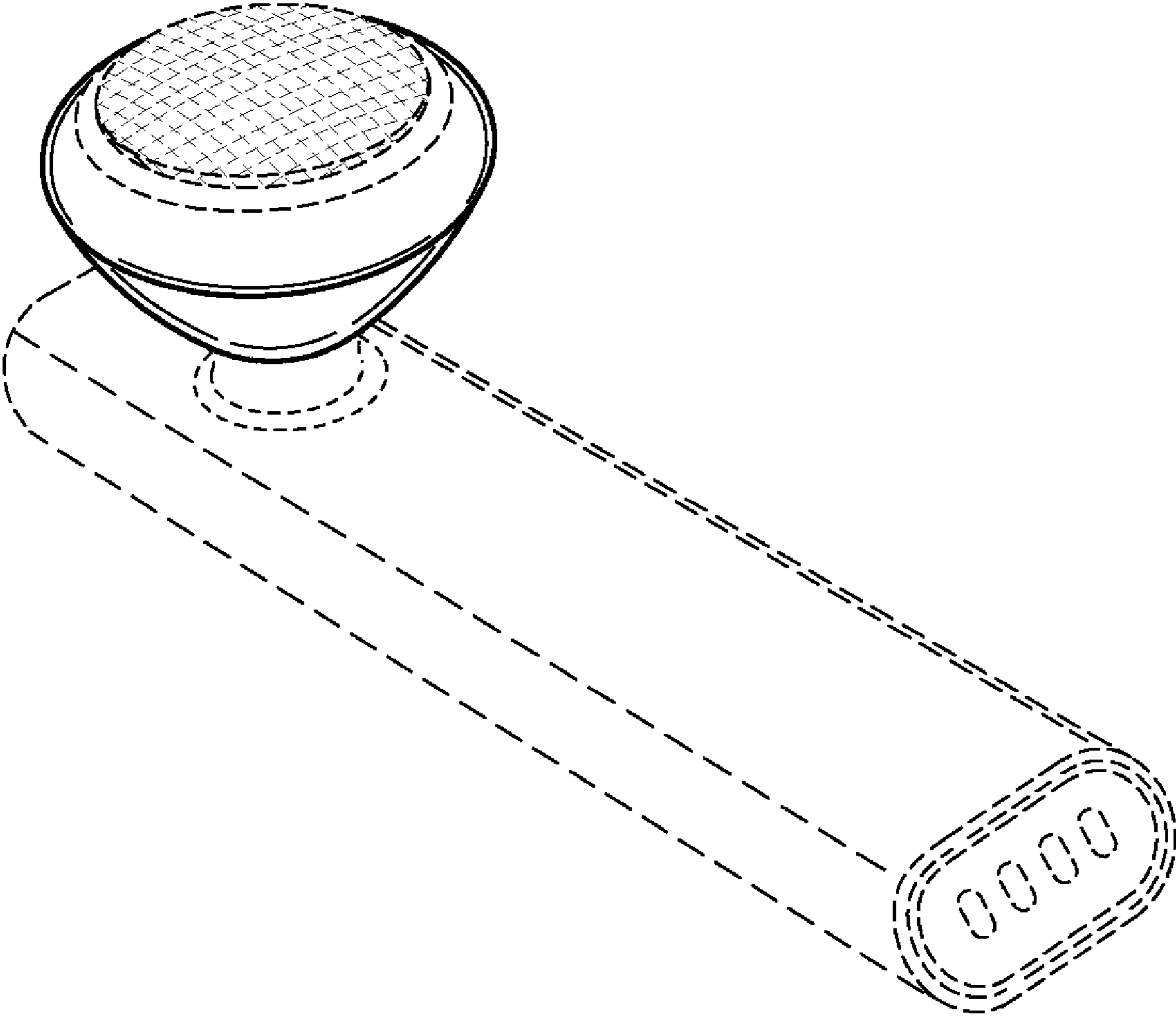


FIG. 1

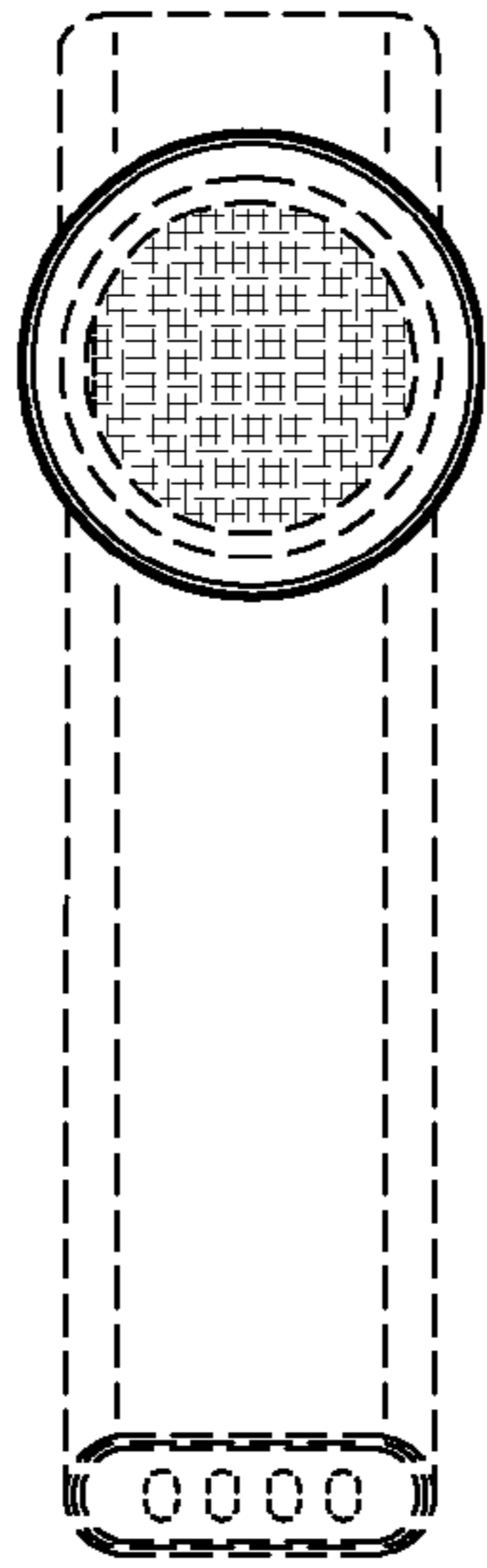


FIG. 2

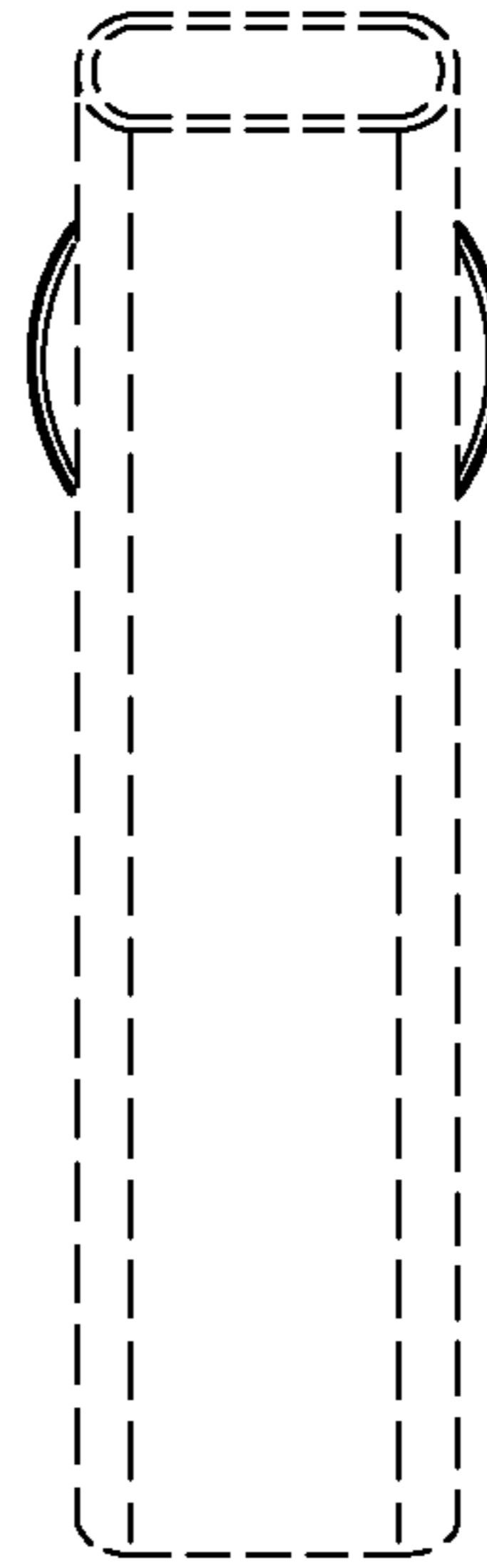


FIG. 3

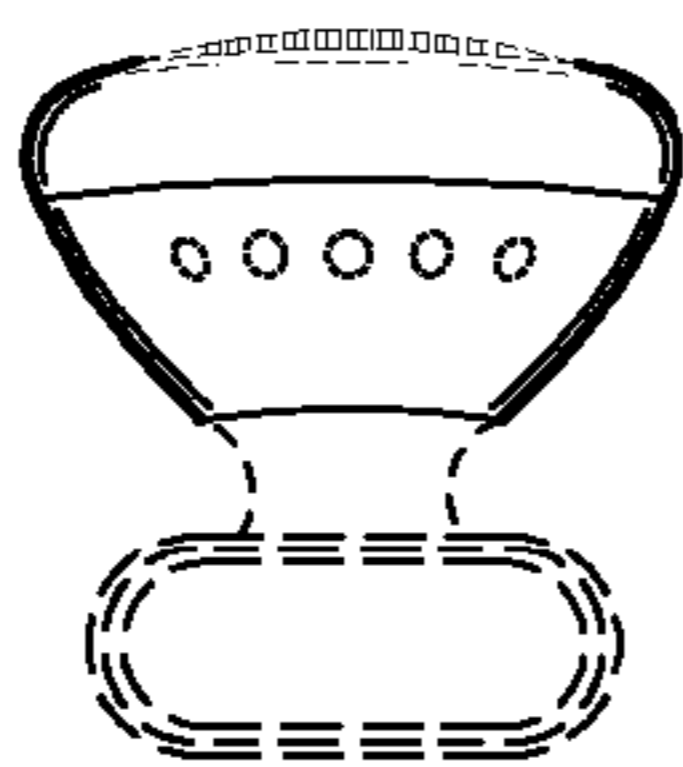


FIG. 4

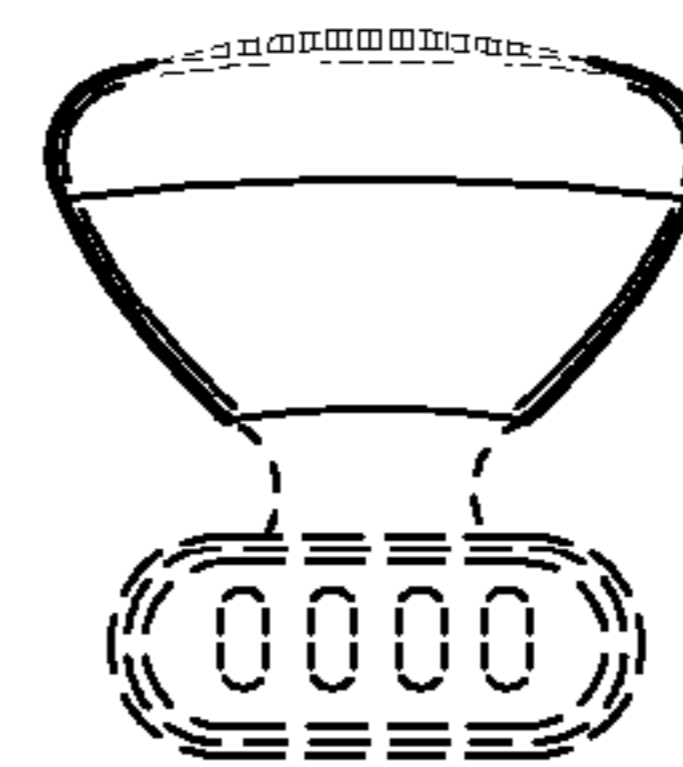


FIG. 5

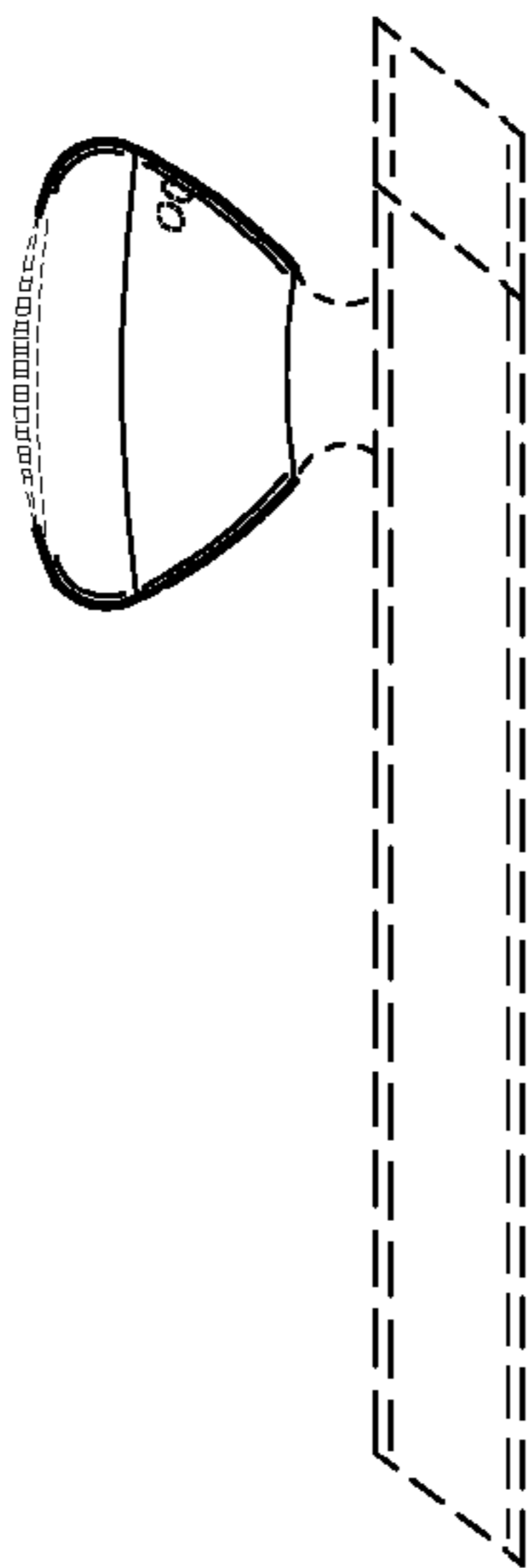


FIG. 6

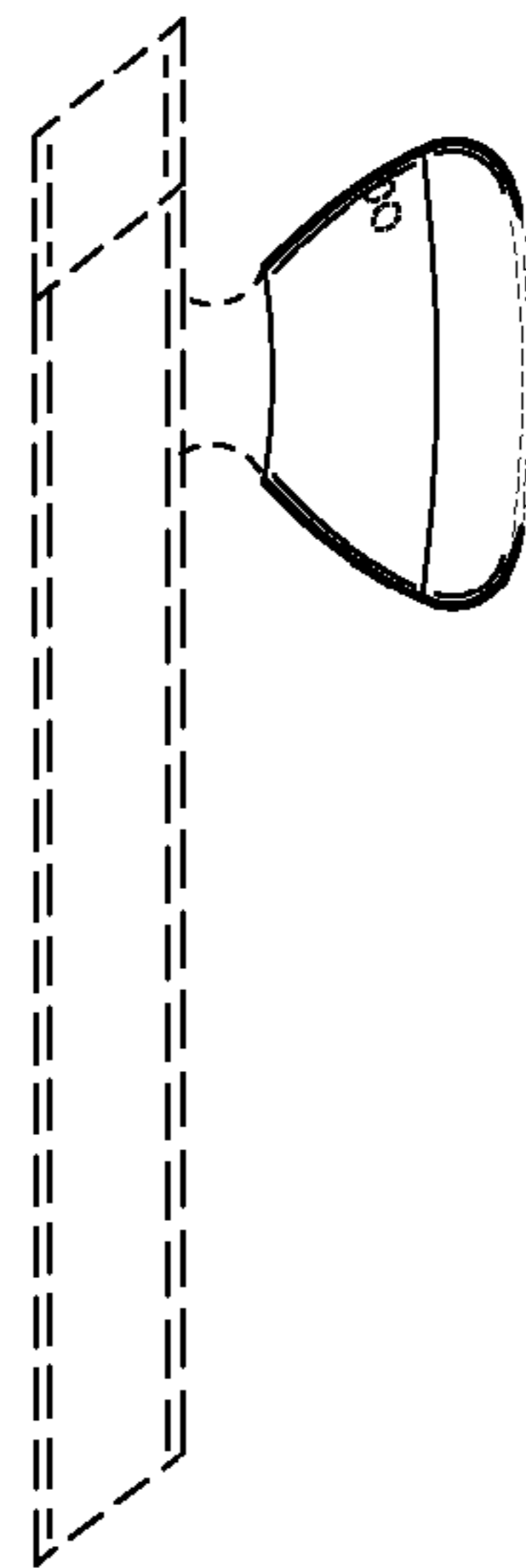


FIG. 7