

US00D615069S

(12) **United States Design Patent**
Andre et al.

(10) **Patent No.:** **US D615,069 S**
(45) **Date of Patent:** **** May 4, 2010**

(54) **REMOTE CONTROLLER**

D357,919 S 5/1995 Tsui

(75) Inventors: **Bartley K. Andre**, Menlo Park, CA (US); **Daniel J. Coster**, San Francisco, CA (US); **Daniele De Iuliis**, San Francisco, CA (US); **Richard P. Howarth**, San Francisco, CA (US); **Jonathan P. Ive**, San Francisco, CA (US); **Duncan Robert Kerr**, San Francisco, CA (US); **Shin Nishibori**, Portola Valley, CA (US); **Matthew Dean Rohrbach**, San Francisco, CA (US); **Douglas B. Satzger**, Menlo Park, CA (US); **Calvin Q. Seid**, Palo Alto, CA (US); **Christopher J. Stringer**, Woodside, CA (US); **Eugene Antony Whang**, San Francisco, CA (US); **Rico Zorkendorfer**, San Francisco, CA (US)

(Continued)

OTHER PUBLICATIONS

U.S. Appl. No. 29/265,582, filed Sep. 1, 2006, entitled "Media Device" (now abandoned).

(Continued)

Primary Examiner—T. Chase Nelson
Assistant Examiner—John Windmuller
(74) *Attorney, Agent, or Firm*—Sterne Kessler Goldstein & Fox PLLC

(73) Assignee: **Apple Inc.**, Cupertino, CA (US)

(**) Term: **14 Years**

(21) Appl. No.: **29/327,451**

(22) Filed: **Nov. 6, 2008**

Related U.S. Application Data

(60) Division of application No. 29/296,894, filed on Oct. 30, 2007, now Pat. No. Des. 589,497, which is a continuation of application No. 29/251,424, filed on Jan. 5, 2006, now Pat. No. Des. 556,155.

(51) **LOC (9) Cl.** **14-03**

(52) **U.S. Cl.** **D14/218**

(58) **Field of Classification Search** D14/174, D14/137-139, 151, 217, 218, 191-193, 167, D14/299, 168, 247, 455, 456; D13/168, D13/162-164; D21/512-517, 566; D10/104, D10/106; 345/169; 348/114, 734; 455/352-355, 455/151.1-151.4, 128, 347, 90.3
See application file for complete search history.

(56) **References Cited**

U.S. PATENT DOCUMENTS

D318,670 S * 7/1991 Taniguchi D14/205

(57) **CLAIM**

The ornamental design for a remote controller, as shown and described.

DESCRIPTION

FIG. 1 is a front perspective view of a remote controller showing our new design.

FIG. 2 is a front view thereof;

FIG. 3 is a rear view thereof;

FIG. 4 is a top view thereof;

FIG. 5 is a bottom view thereof;

FIG. 6 is a left side view thereof;

FIG. 7 is a right side view thereof;

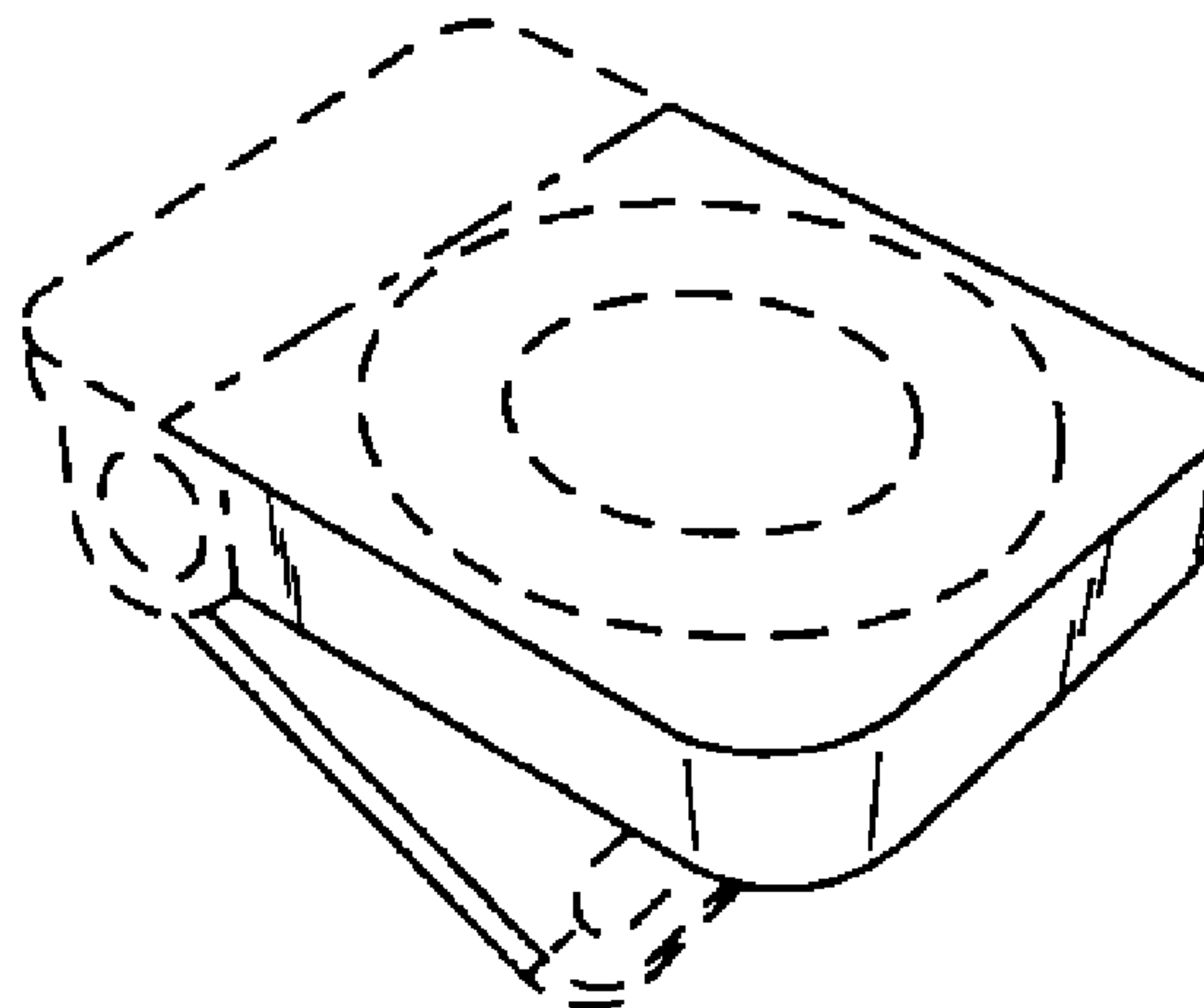
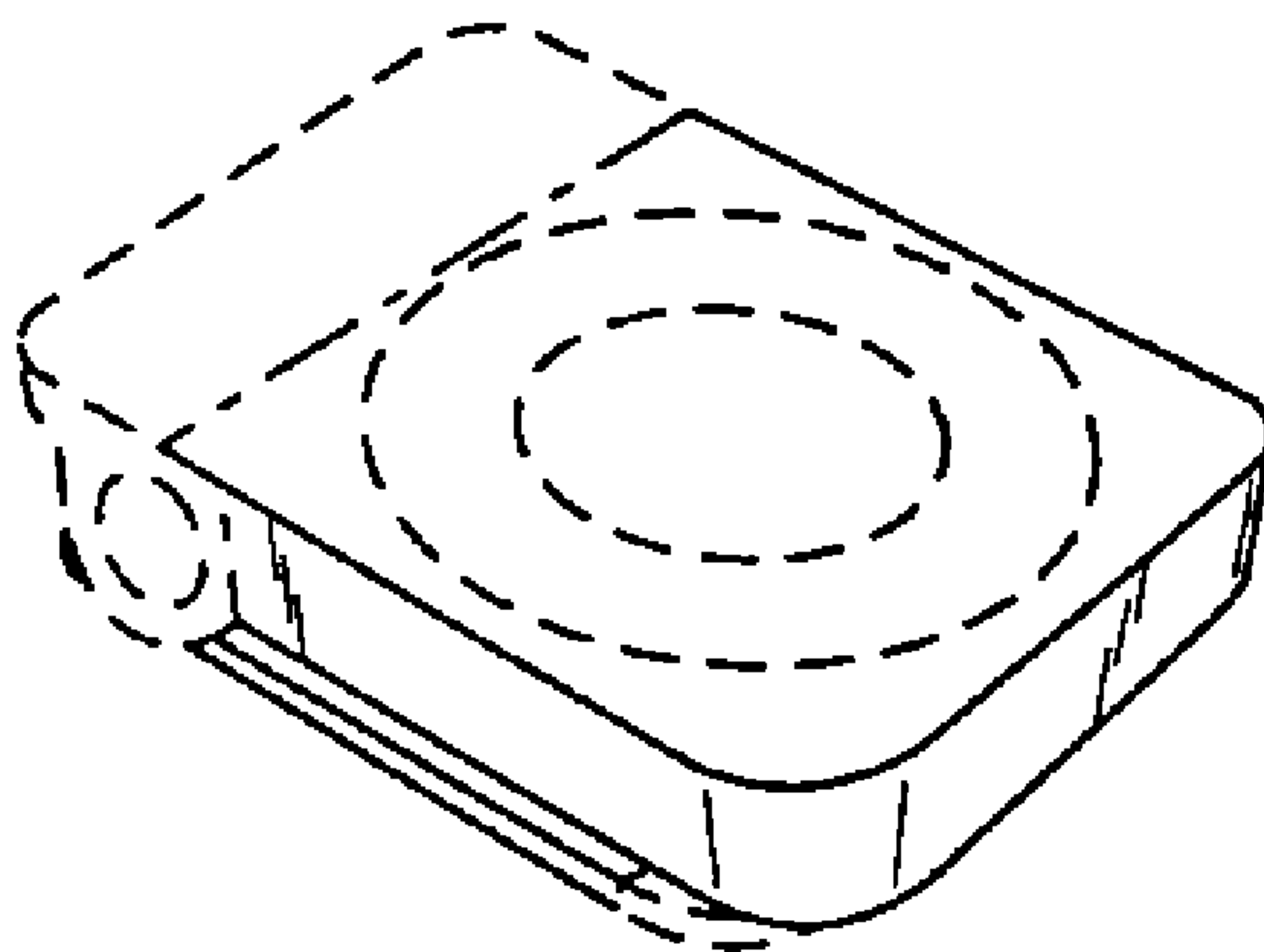
FIG. 8 is another front perspective view of the remote controller in an opened position;

FIG. 9 is a rear perspective view thereof; and,

FIG. 10 is a front view of the remote controller in an environment in which it may be used.

The broken lines in the Figures are for environmental purposes only and form no part of the claimed design. The dot dash lines in the Figures represent unclaimed boundary lines and form no part of the claimed design.

1 Claim, 2 Drawing Sheets



US D615,069 S

Page 2

U.S. PATENT DOCUMENTS

D358,152 S 5/1995 Ito et al.
D374,693 S 10/1996 Osborne
D405,424 S 2/1999 Winkler et al.
D473,207 S 4/2003 Tanio
D478,053 S 8/2003 Andre et al.
6,675,300 B1 1/2004 Jung et al.
D517,052 S * 3/2006 Skulley D14/223
D523,001 S * 6/2006 Hussaini et al. D14/218
D529,044 S 9/2006 Andre et al.
D530,340 S 10/2006 Andre et al.
D556,155 S 11/2007 Andre et al.
D559,860 S 1/2008 Andre et al.
D559,861 S 1/2008 Andre et al.

D560,212 S 1/2008 Andre et al.
D560,228 S 1/2008 Andre et al.
D569,389 S 5/2008 Andre et al.

OTHER PUBLICATIONS

U.S. Appl. No. 29/283,601, filed Aug. 17, 2007, entitled "Media Device".
U.S. Appl. No. 29/283,605, filed Aug. 17, 2007, entitled "Media Device".
U.S. Appl. No. 29/296,899, filed Aug. 17, 2007, entitled "Media Device".
U.S. Appl. No. 29/296,894, filed Oct. 30, 2007, entitled "Remote Controller".

* cited by examiner

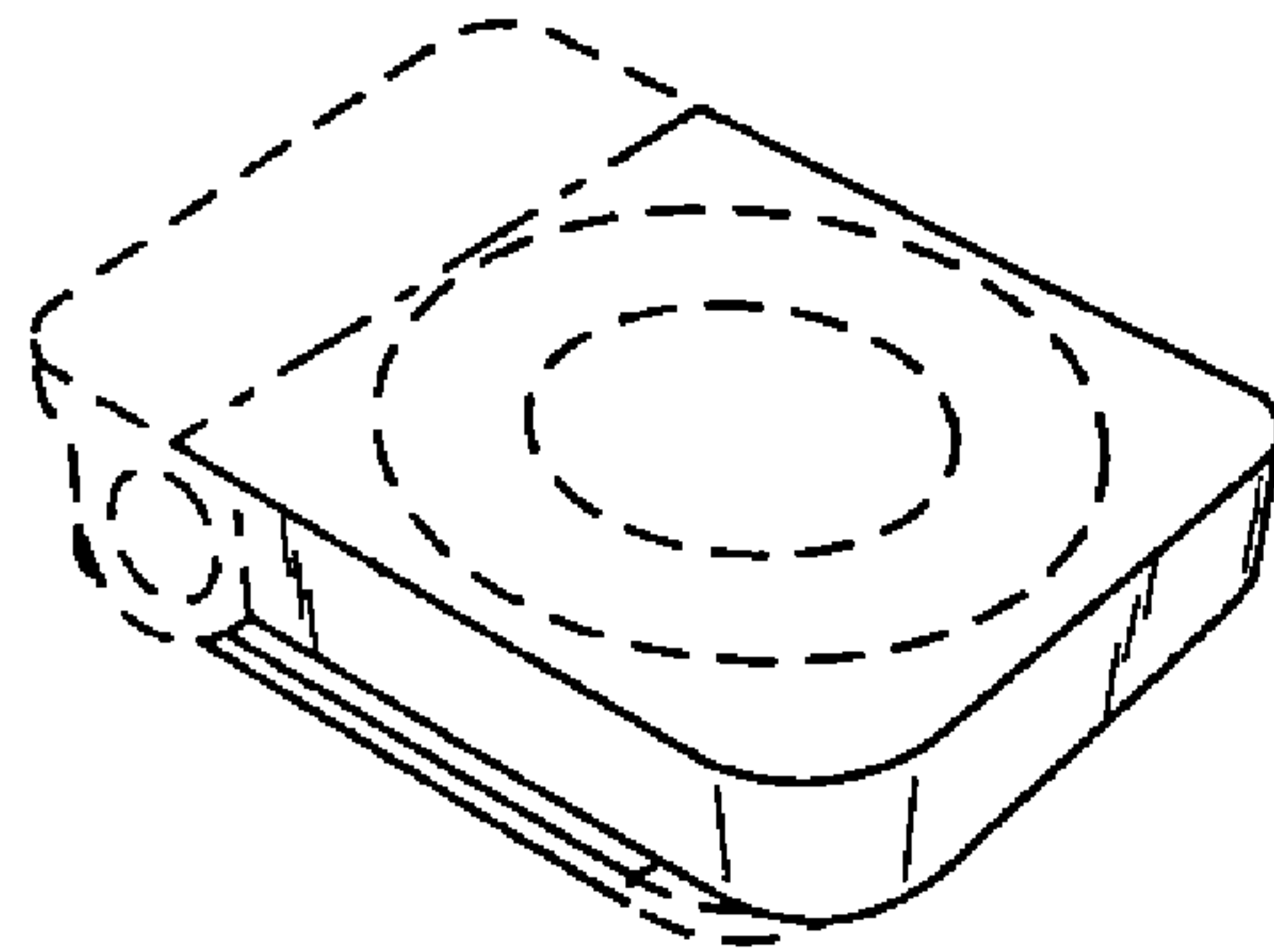


FIG. 1

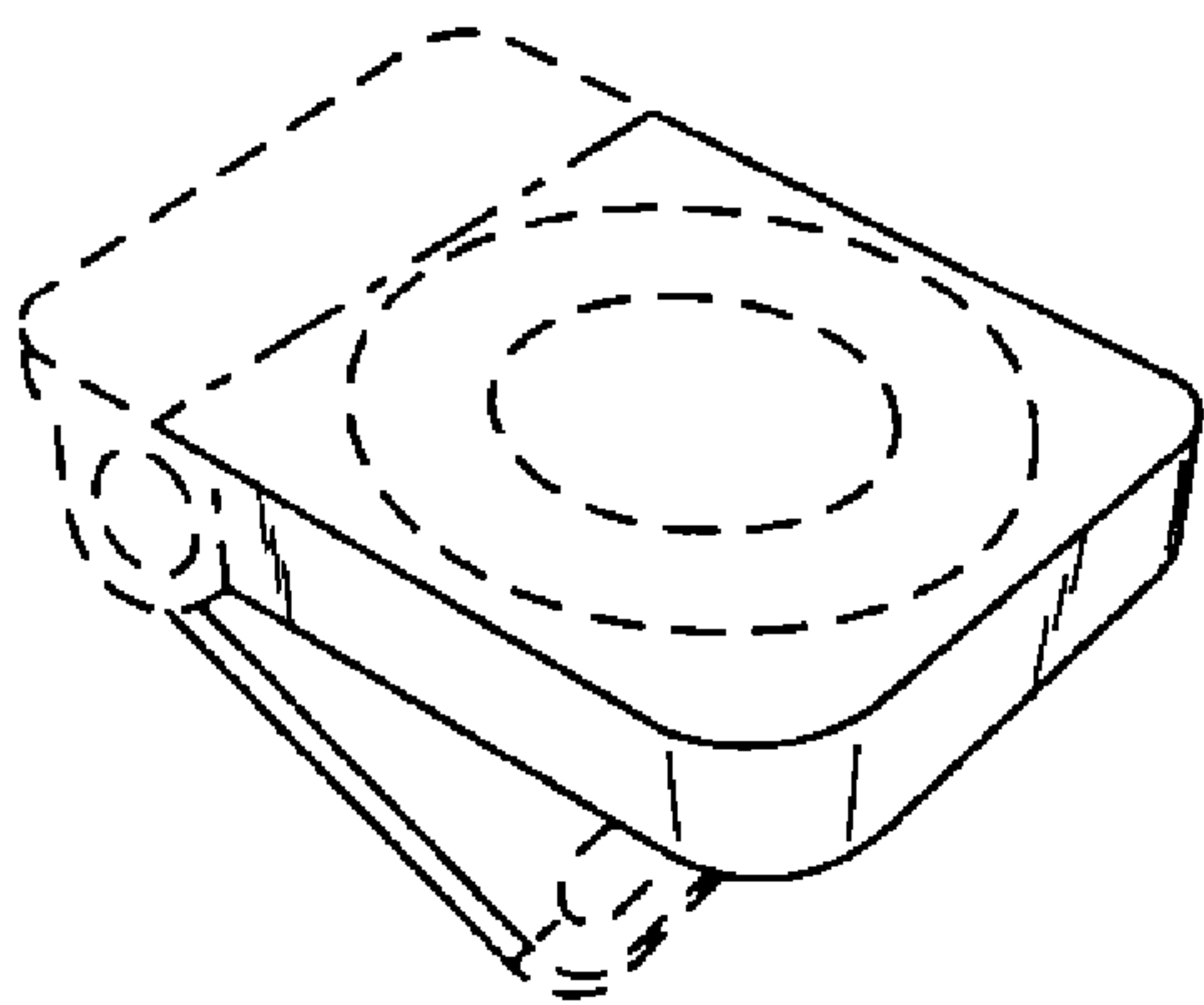


FIG. 8

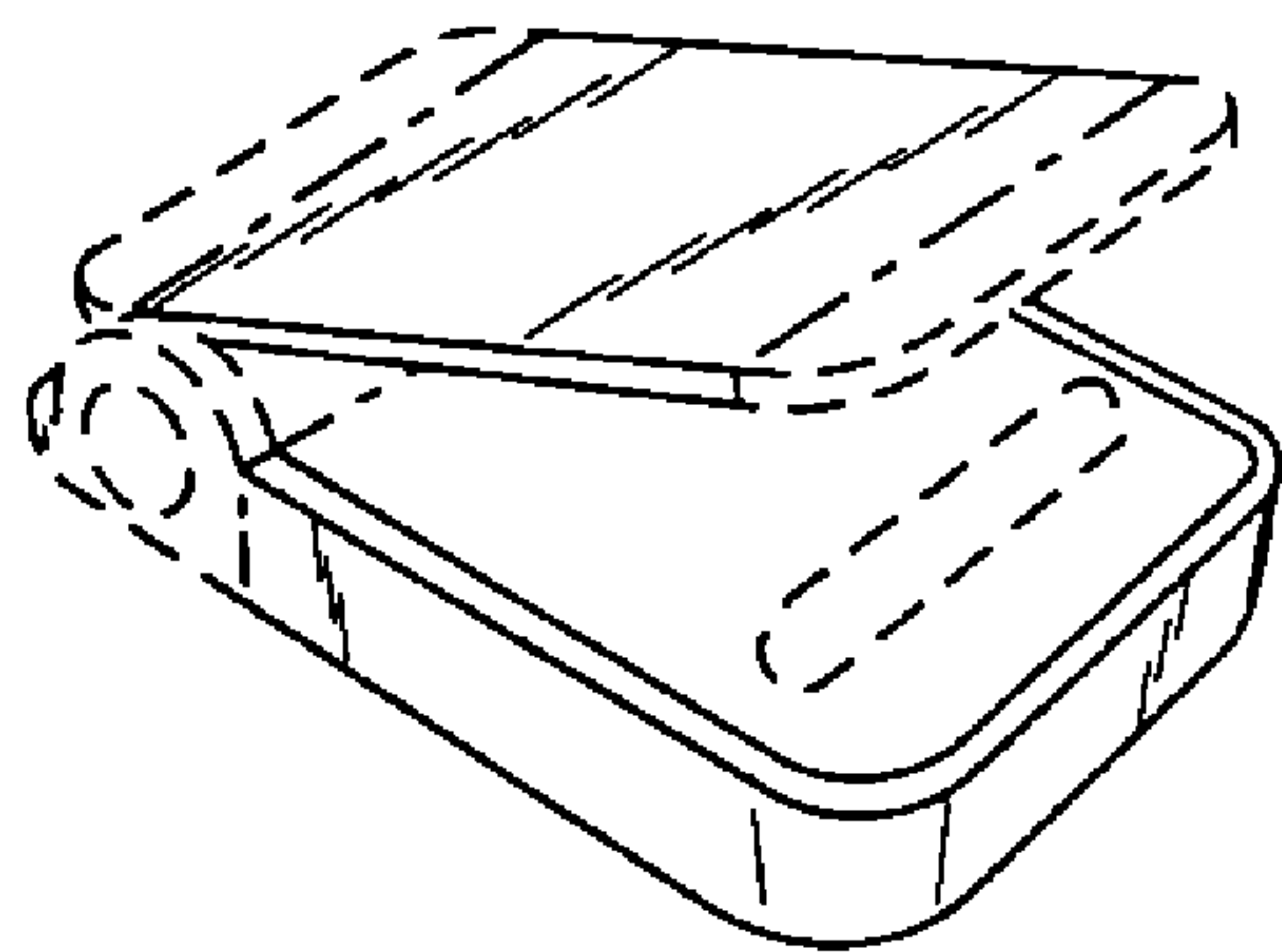


FIG. 9

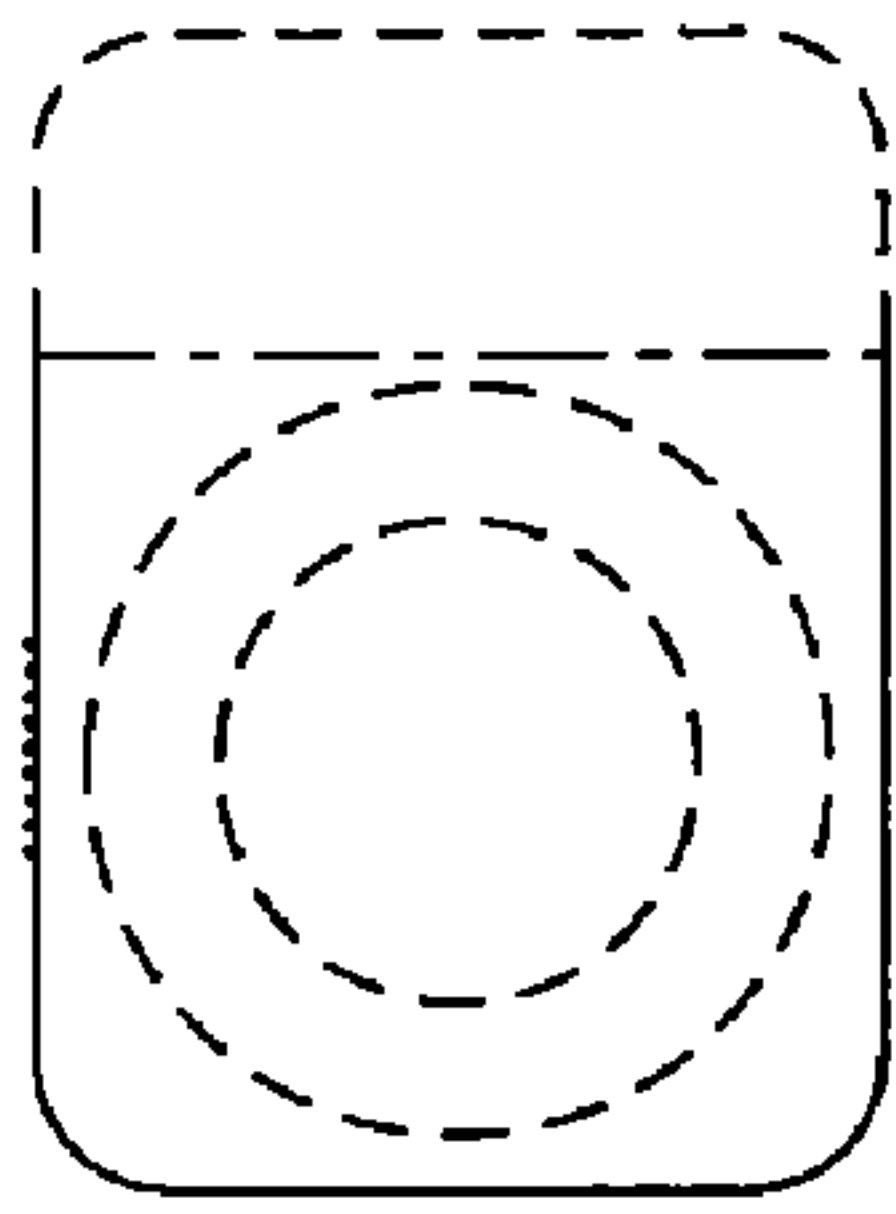


FIG. 2

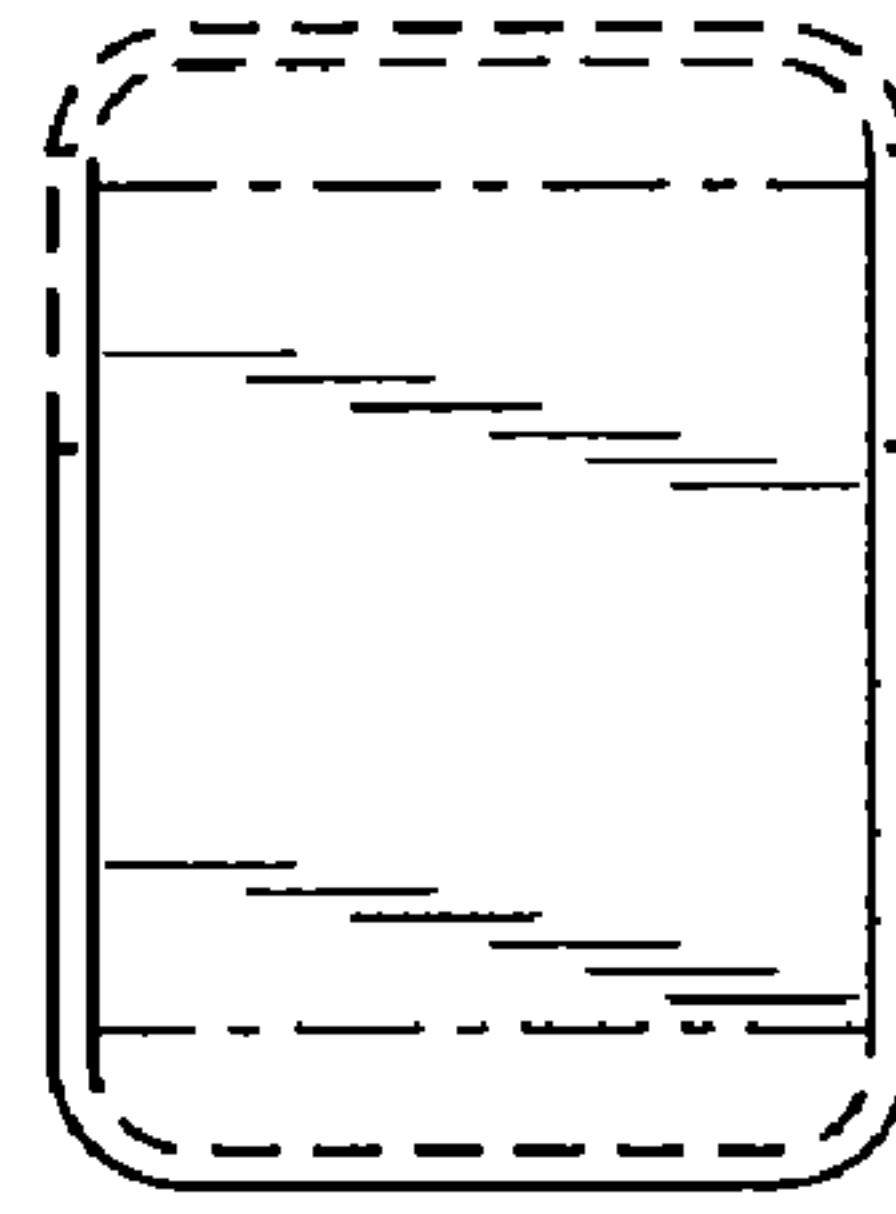


FIG. 3

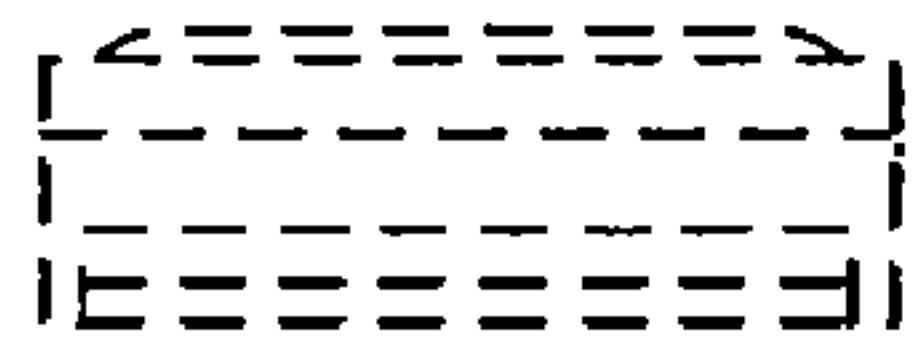


FIG. 4

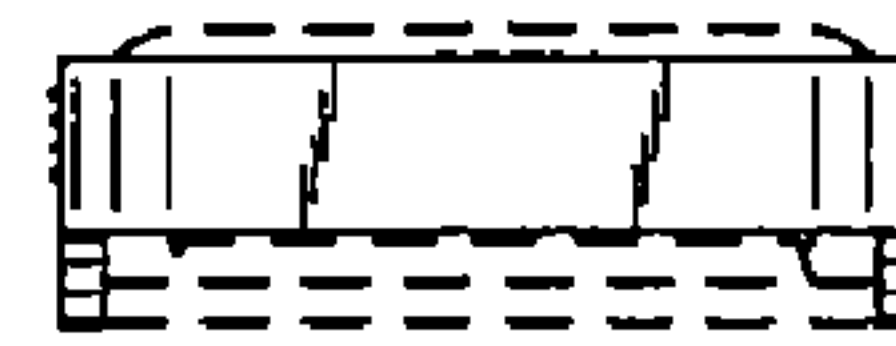


FIG. 5

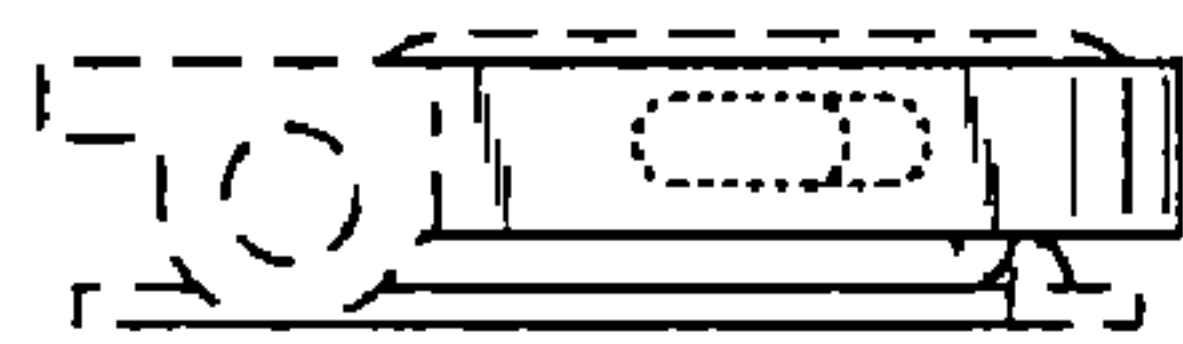


FIG. 6

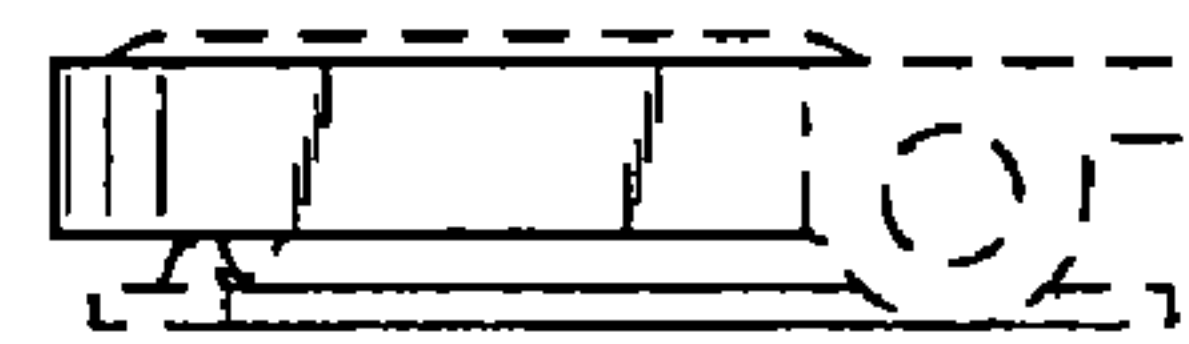


FIG. 7

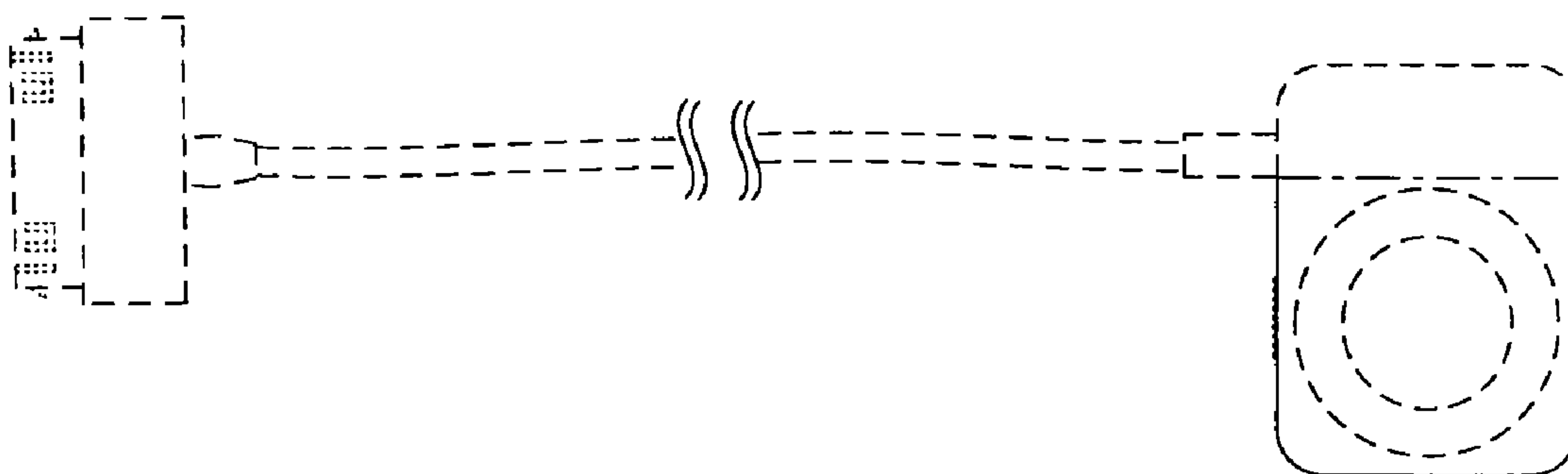


FIG. 10