



US00D615068S

(12) **United States Design Patent**
Yuasa et al.

(10) **Patent No.:** **US D615,068 S**

(45) **Date of Patent:** **** May 4, 2010**

(54) **SPEAKER**

(75) Inventors: **Hideo Yuasa**, Qingdao (CN); **Masahide Suzuki**, Yao (JP)

(73) Assignee: **Hosiden Corporation**, Yao-shi (JP)

(**) Term: **14 Years**

(21) Appl. No.: **29/339,807**

(22) Filed: **Jul. 8, 2009**

(30) **Foreign Application Priority Data**

Jan. 9, 2009 (JP) 2009-000343

(51) **LOC (9) Cl.** **14-01**

(52) **U.S. Cl.** **D14/216**

(58) **Field of Classification Search** D14/204,
D14/210–216, 172; 181/143–144, 147–148,
181/150–153, 157, 198–199; 381/300–303,
381/306, 332–333, 336, 345, 361–364, 386–388
See application file for complete search history.

(56) **References Cited**

U.S. PATENT DOCUMENTS

4,965,837 A * 10/1990 Murayama et al. 381/186
D349,499 S * 8/1994 Collins D14/216
D472,545 S * 4/2003 Iijima et al. D14/219

D493,445 S * 7/2004 Iijima et al. D14/216
D529,898 S * 10/2006 Kuribayashi et al. D14/215
D556,738 S * 12/2007 Yao D14/216

* cited by examiner

Primary Examiner—Nanda Bondade

(74) *Attorney, Agent, or Firm*—Rankin, Hill & Clark LLP

(57) **CLAIM**

The ornamental design for a speaker, as shown and described.

DESCRIPTION

FIG. 1 is a front and bottom perspective view of a speaker in accordance with an embodiment of our new design;

FIG. 2 is a rear and bottom perspective view of the speaker in accordance with the embodiment of our new design;

FIG. 3 is a front elevation view of the speaker in accordance with the embodiment of our new design;

FIG. 4 is a rear elevation view of the speaker in accordance with the embodiment of our new design;

FIG. 5 is a left side view of the speaker in accordance with the embodiment of our new design, a right side view being a mirror image thereof;

FIG. 6 is a top plan view thereof; and,

FIG. 7 is a bottom plan view thereof.

1 Claim, 3 Drawing Sheets

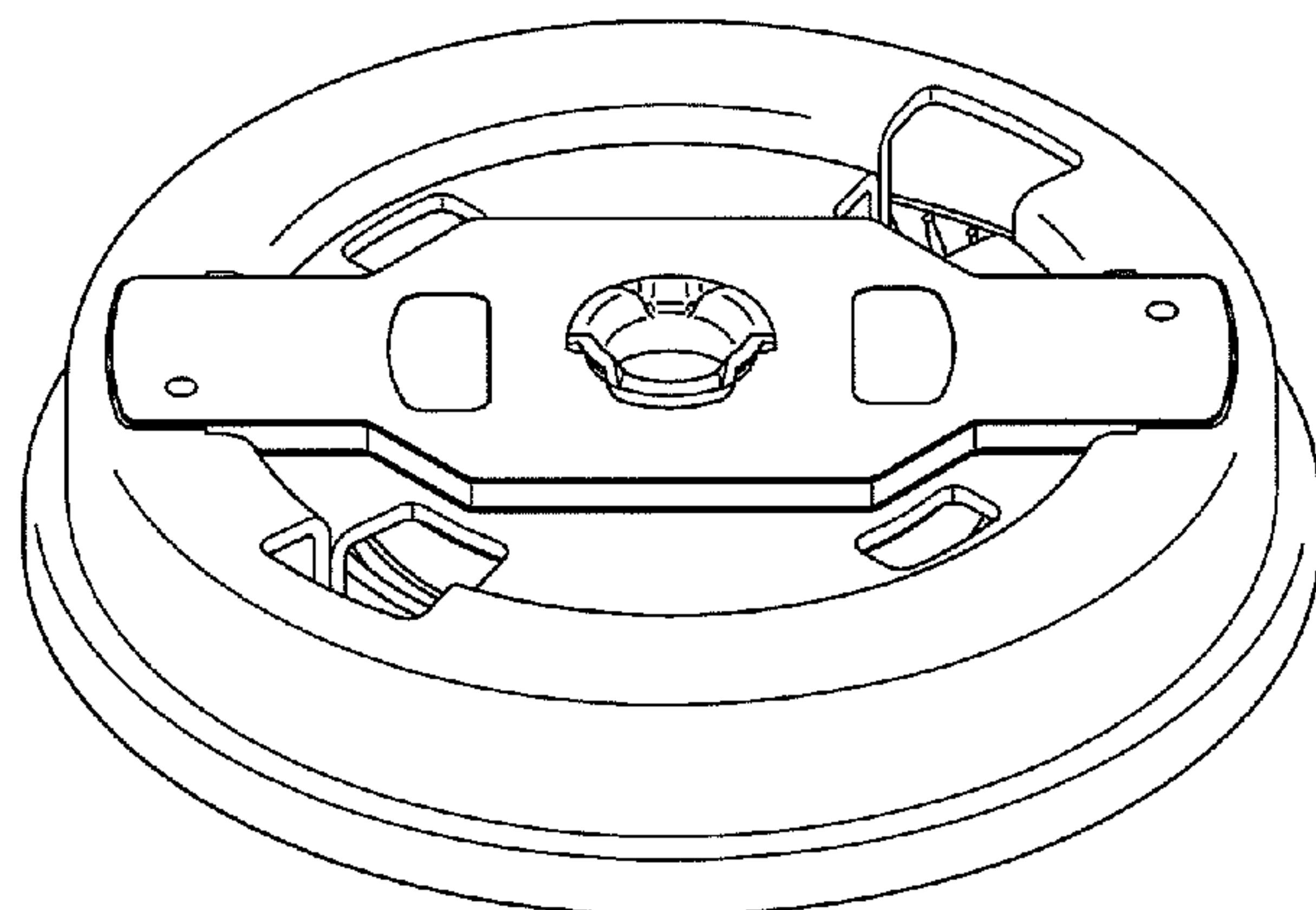
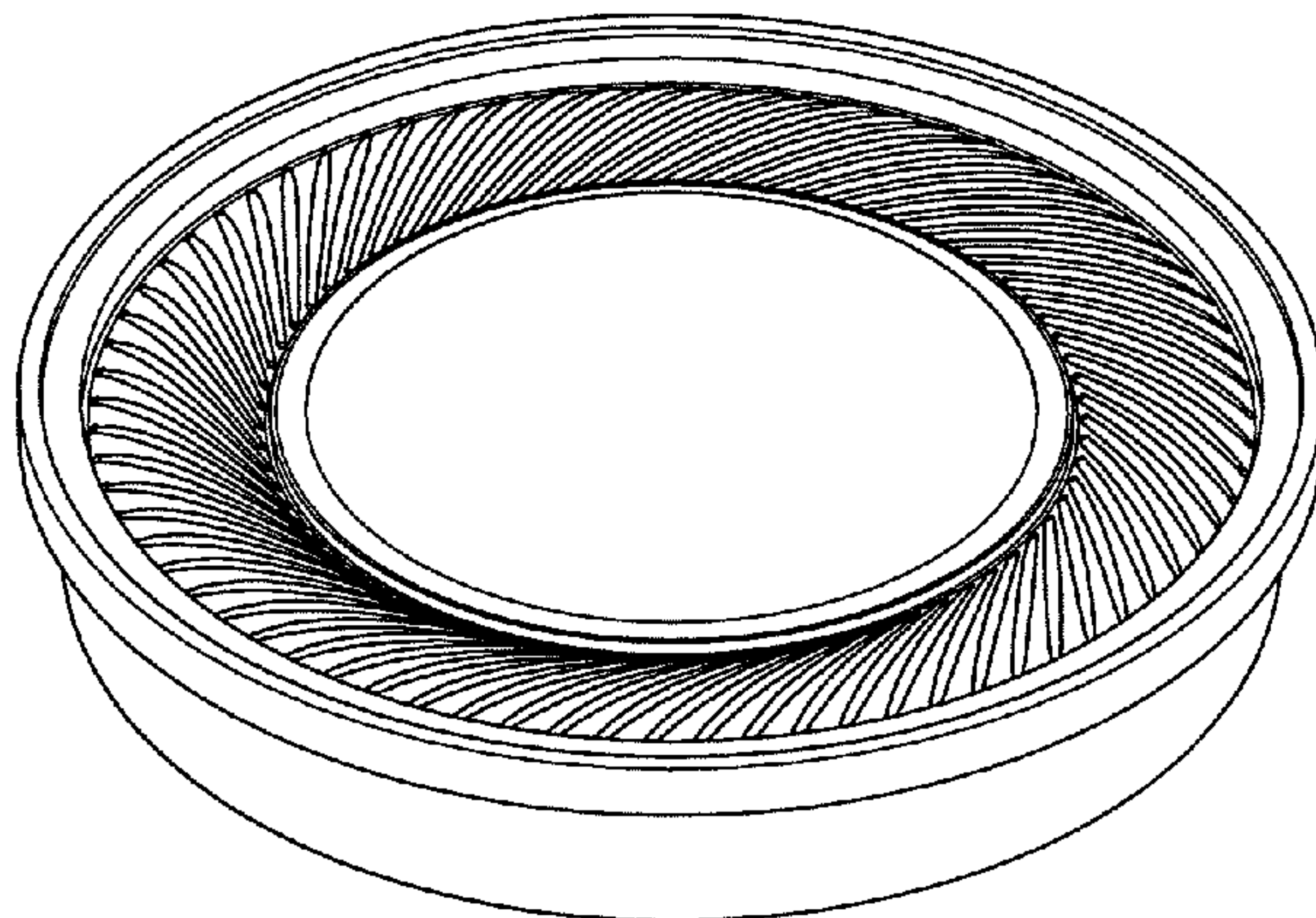


Fig. 1

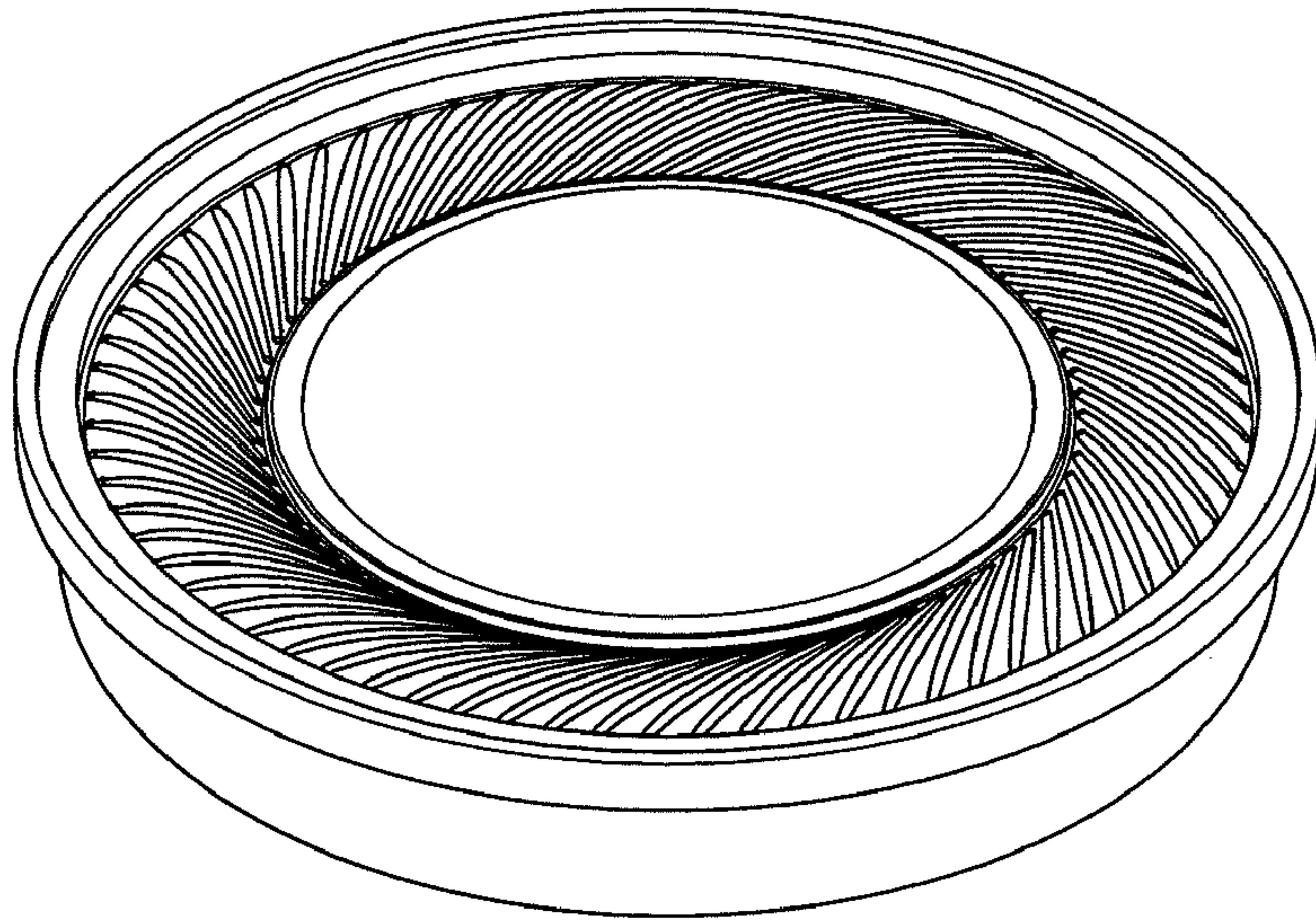


Fig. 2

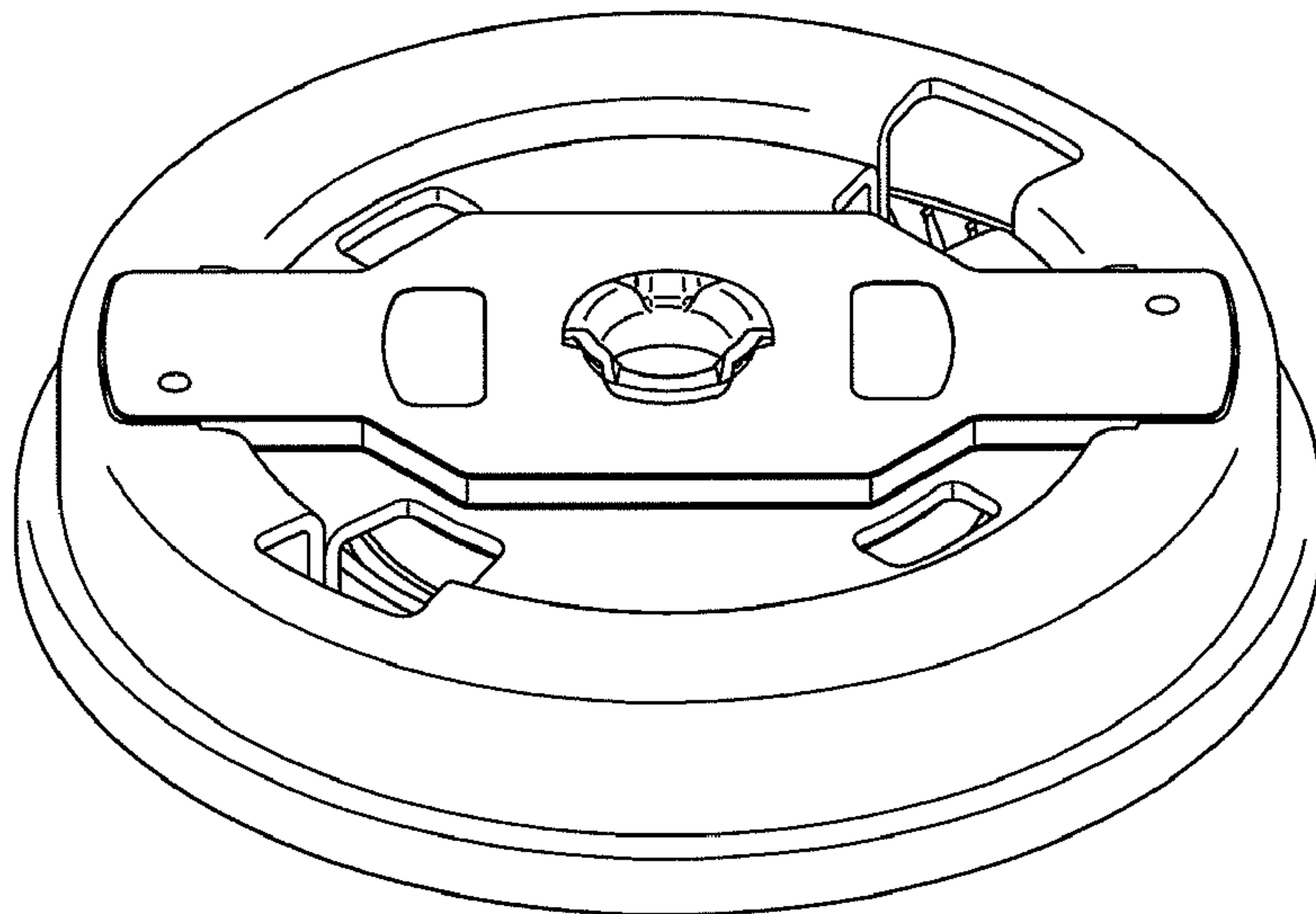


Fig. 3

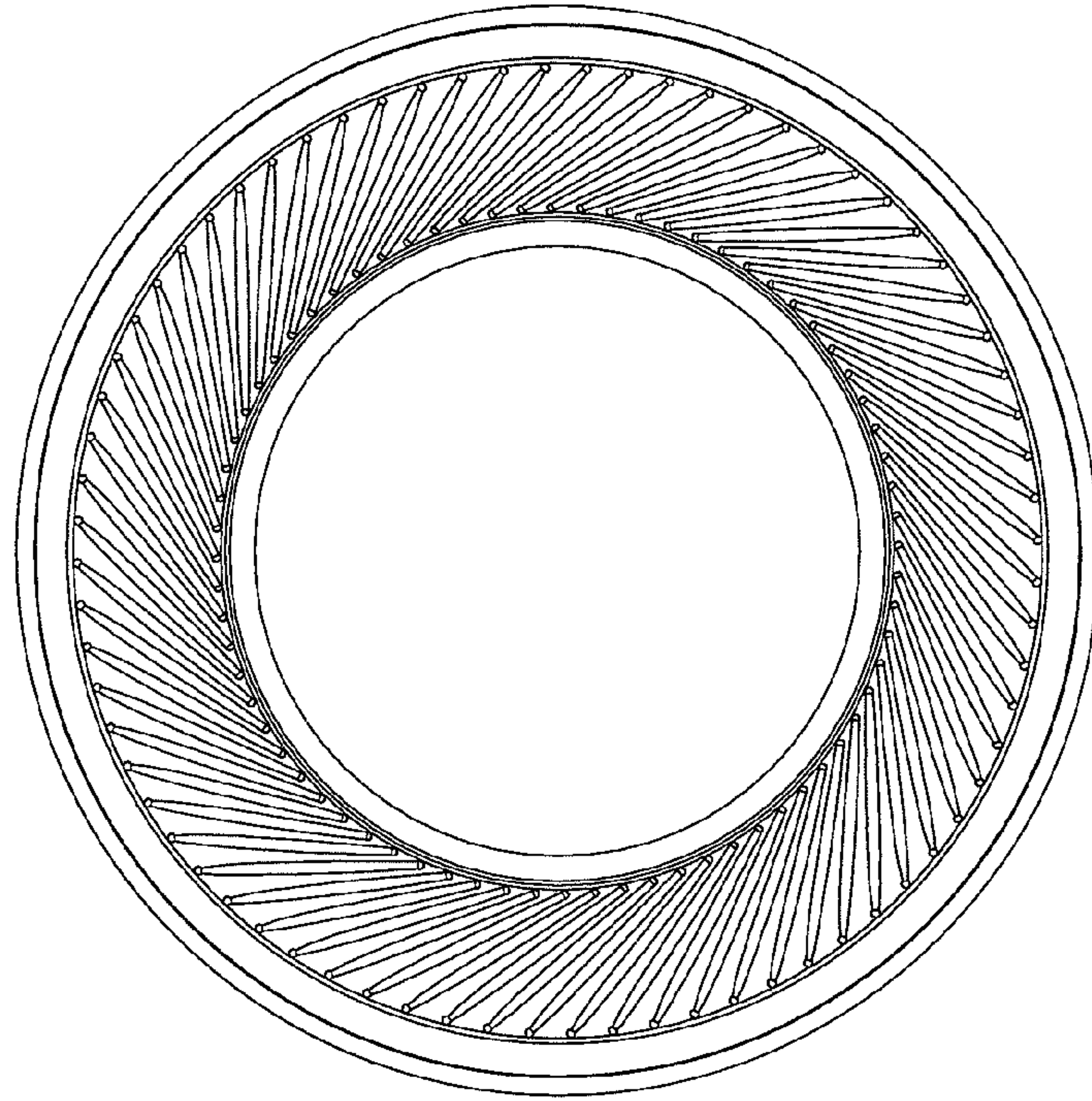


Fig. 4

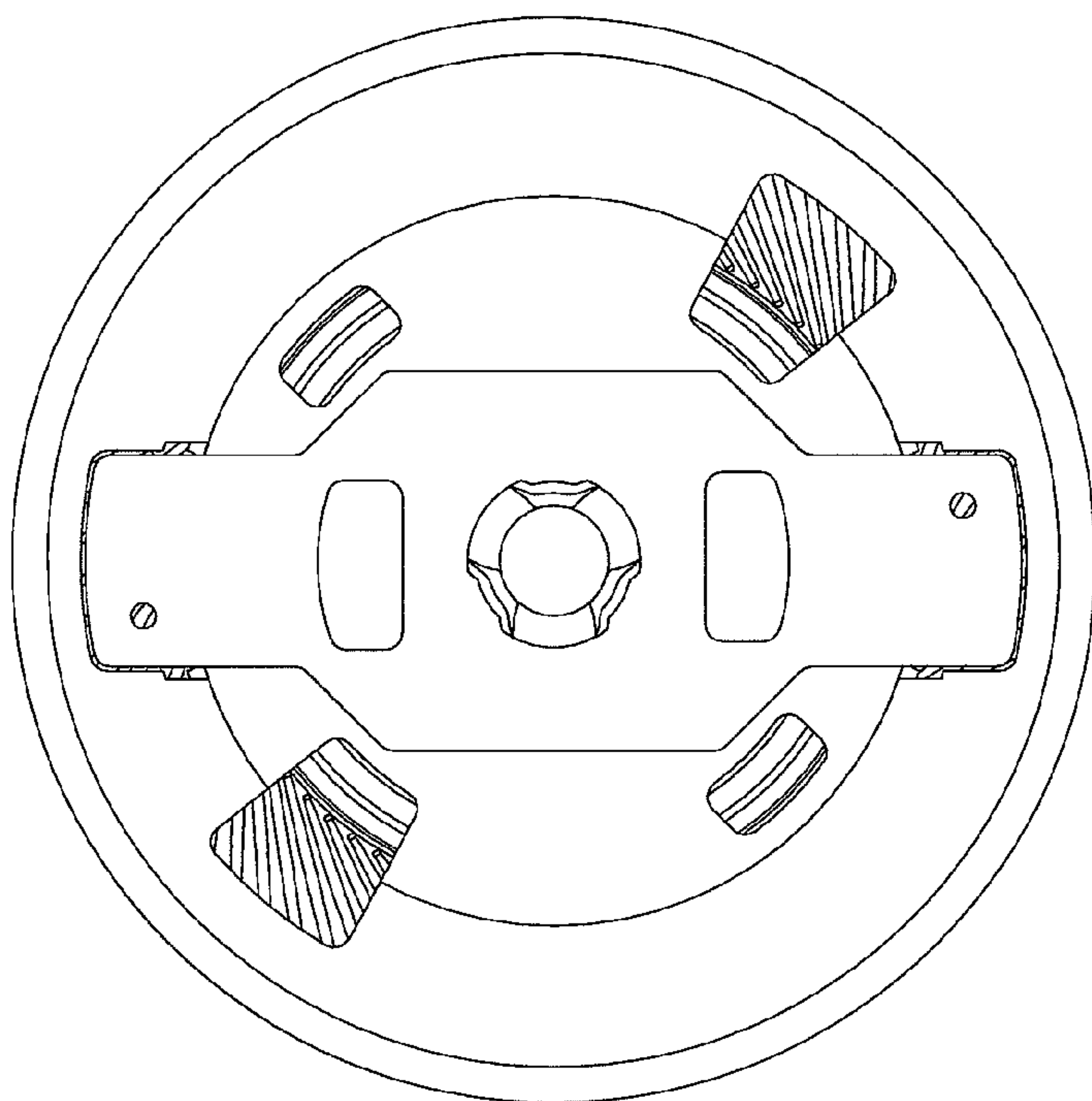


Fig. 5

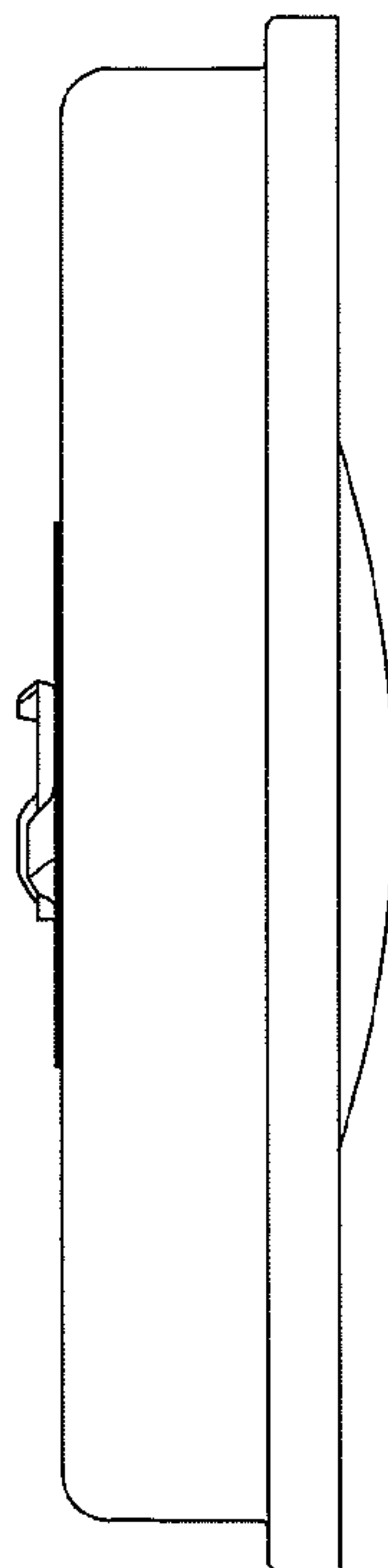


Fig. 6

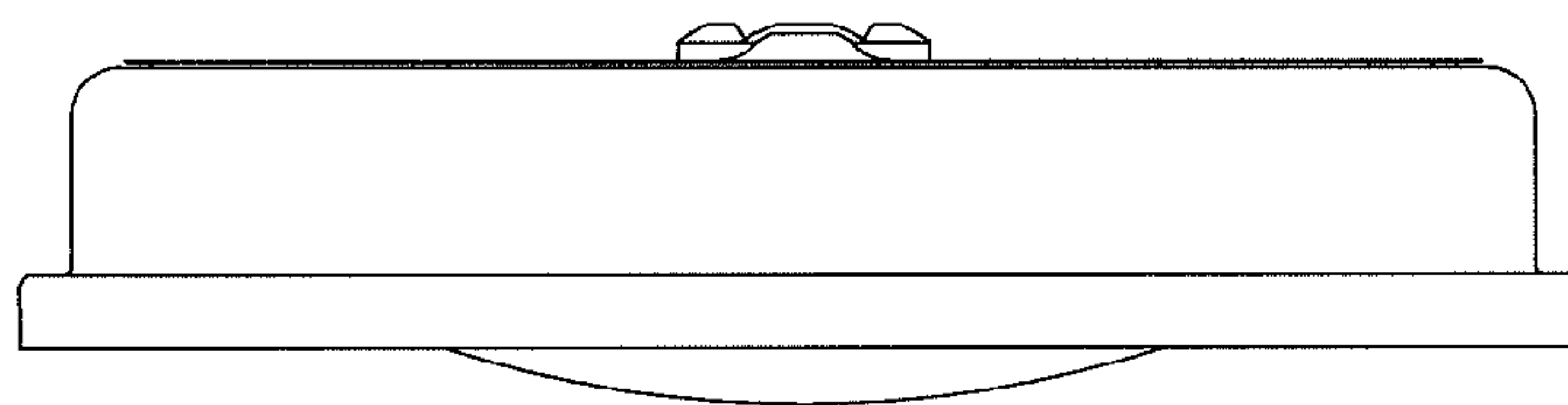


Fig. 7

