



US00D615066S

(12) **United States Design Patent**  
**Huang et al.**

(10) **Patent No.:** **US D615,066 S**  
(45) **Date of Patent:** **\*\* May 4, 2010**

(54) **PANEL PHONE**

(75) Inventors: **Chien-Ju Huang**, Taipei Hsien (TW);  
**Chi-Hsiang Kao**, Taipei Hsien (TW);  
**Yi-Heng Hsu**, Taipei Hsien (TW)

(73) Assignee: **Hon Hai Precision Industry Co., Ltd.**,  
Tu-Cheng, Taipei Hsien (TW)

(\*\*) Term: **14 Years**

(21) Appl. No.: **29/340,989**

(22) Filed: **Jul. 29, 2009**

(30) **Foreign Application Priority Data**

Apr. 3, 2009 (CN) ..... 2009 3 0302170

(51) **LOC (9) Cl.** ..... **14-03**

(52) **U.S. Cl.** ..... **D14/142; D14/130**

(58) **Field of Classification Search** ..... D14/125-130,  
D14/140-142, 147-151, 158-159, 171, 188,  
D14/225-226, 240, 243, 247, 251, 253, 346,  
D14/349, 356, 358, 434, 436, 138 G, 341,  
D14/343; 379/88.17, 90.01, 93.17, 387.01,  
379/388.02, 419-420.04, 428.01-428.04,  
379/434-436, 440, 446-447, 454-455; 381/16,  
381/71.1; D13/107-108; 191/12.2 R; 320/108,  
320/110, 113-115; 455/411, 550.1-90.3;  
348/14.01-14.06; D19/10

See application file for complete search history.

(56) **References Cited**

**U.S. PATENT DOCUMENTS**

- D283,614 S \* 4/1986 Somaschini ..... D14/130
- D294,250 S \* 2/1988 Watanabe et al. .... D14/130
- 4,930,157 A \* 5/1990 Citron et al. .... 379/433.07
- D317,757 S \* 6/1991 Yokoi et al. .... D14/329
- D323,657 S \* 2/1992 Danielson et al. .... D14/151
- 5,127,050 A \* 6/1992 Takahashi et al. .... 379/428.04
- D354,954 S \* 1/1995 Naito et al. .... D14/130
- D375,092 S \* 10/1996 Hilsenrath et al. .... D14/142
- D375,735 S \* 11/1996 Tochishita ..... D14/144
- D411,987 S \* 7/1999 Mizusugi et al. .... D14/329

- D452,511 S \* 12/2001 Benedetto et al. .... D14/467
- D463,389 S \* 9/2002 Stafford-Fraser ..... D14/151
- D471,526 S \* 3/2003 De Saulles ..... D14/145
- D478,881 S \* 8/2003 O'Leary et al. .... D14/130

(Continued)

**FOREIGN PATENT DOCUMENTS**

WO DM/055768 \* 4/2001

**OTHER PUBLICATIONS**

LCD Touch-Panel Phone with Talking Caller ID, <URL:http://www.overstock.com/Electronics/LCD-Touch-Panel-Phone-with-Talking-Caller-ID/1904010/product.html>, retrieved from internet Dec. 11, 2009.\*

(Continued)

*Primary Examiner*—Robert M Spear  
*Assistant Examiner*—Carla Jobe Wright  
(74) *Attorney, Agent, or Firm*—Raymond J. Chew

(57) **CLAIM**

The ornamental design for a panel phone, as shown and described.

**DESCRIPTION**

FIG. 1 is a perspective view of a panel phone showing my new design;

FIG. 2 is a front elevational view thereof;

FIG. 3 is a rear elevational view thereof;

FIG. 4 is a left side elevational view thereof;

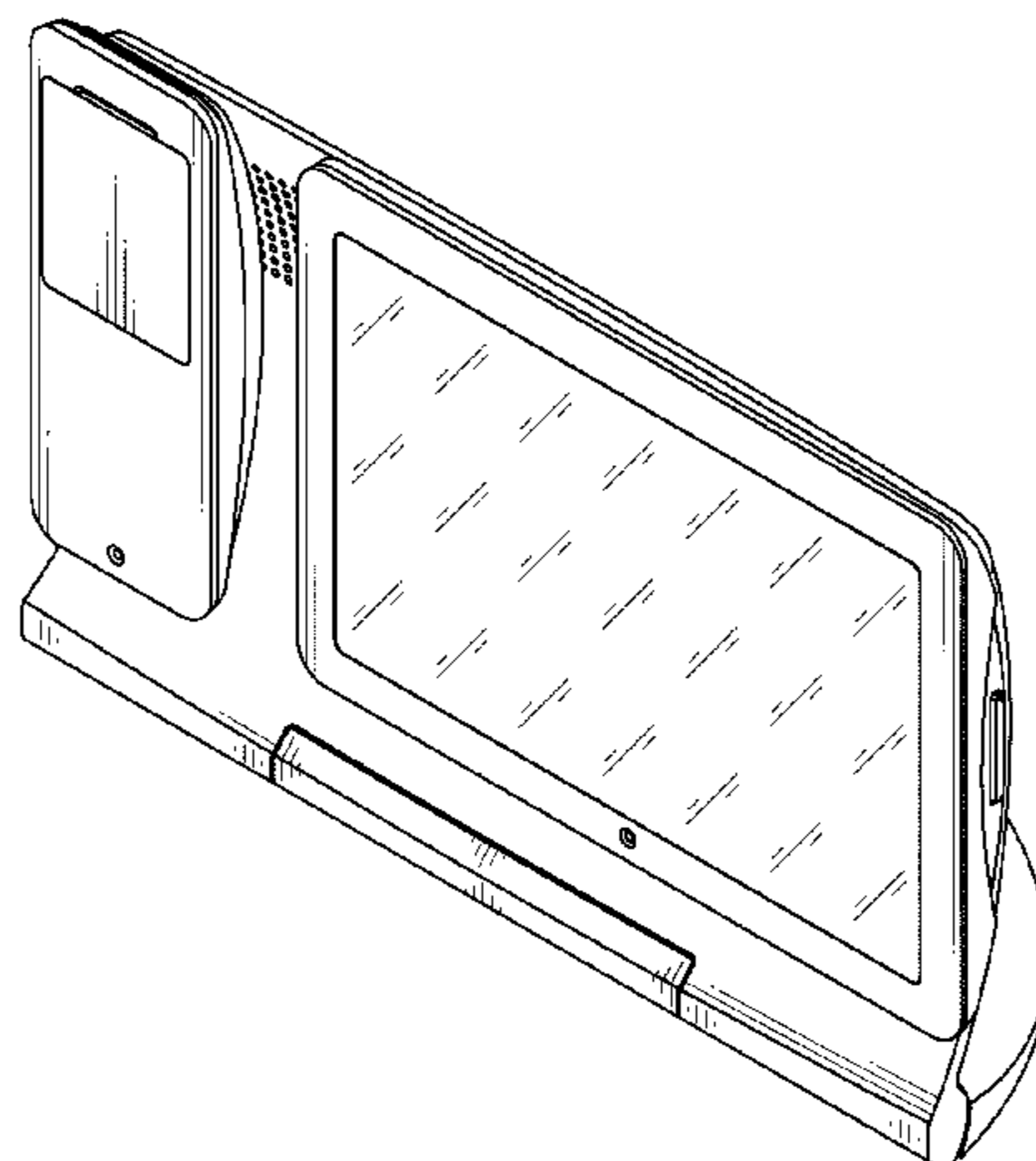
FIG. 5 is a right side elevational view thereof;

FIG. 6 is a top plan view thereof; and,

FIG. 7 is a bottom plan view thereof.

The broken line showing of features on the rear of the panel phone in FIG. 3 is directed to environment and forms no part of the claimed design.

**1 Claim, 7 Drawing Sheets**



# US D615,066 S

Page 2

---

## U.S. PATENT DOCUMENTS

D479,517 S \* 9/2003 Weidinger ..... D14/151  
D559,226 S \* 1/2008 Liu ..... D14/142  
D571,777 S \* 6/2008 Waterman et al. .... D14/151  
D581,897 S \* 12/2008 Katori ..... D14/151  
D585,397 S \* 1/2009 Hwang ..... D14/130  
D597,058 S \* 7/2009 Sheppard ..... D14/142

D604,258 S \* 11/2009 Rinaldi et al. .... D14/130

## OTHER PUBLICATIONS

Vialta Beamer BM80: Single Pack Video Phone, <URL:<http://www.101phones.com/details/880/Beamer-BM80+Single-Pack-Video-Phone.html>>, retrieved from internet Dec. 16, 2009.\*

\* cited by examiner

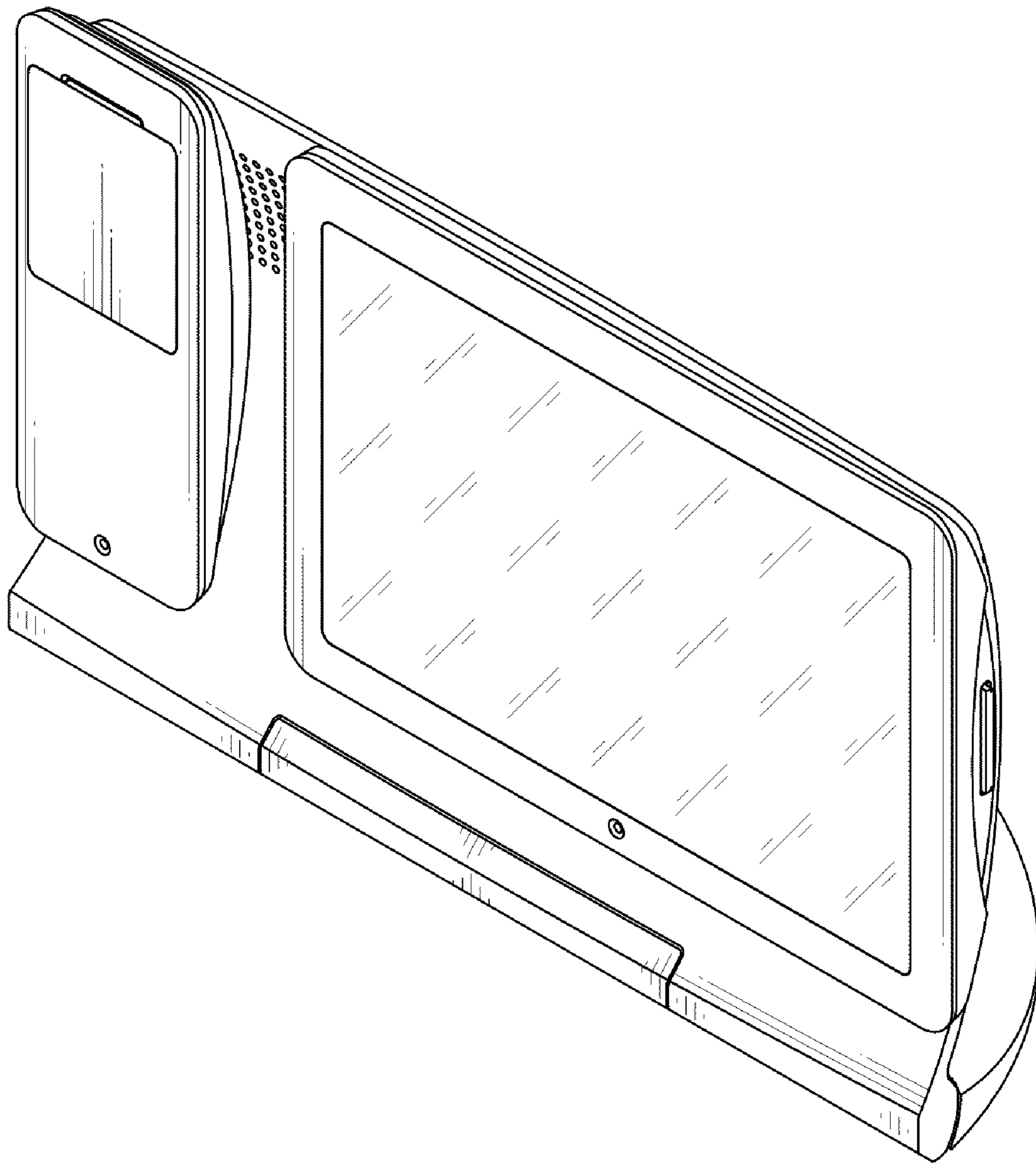


FIG. 1

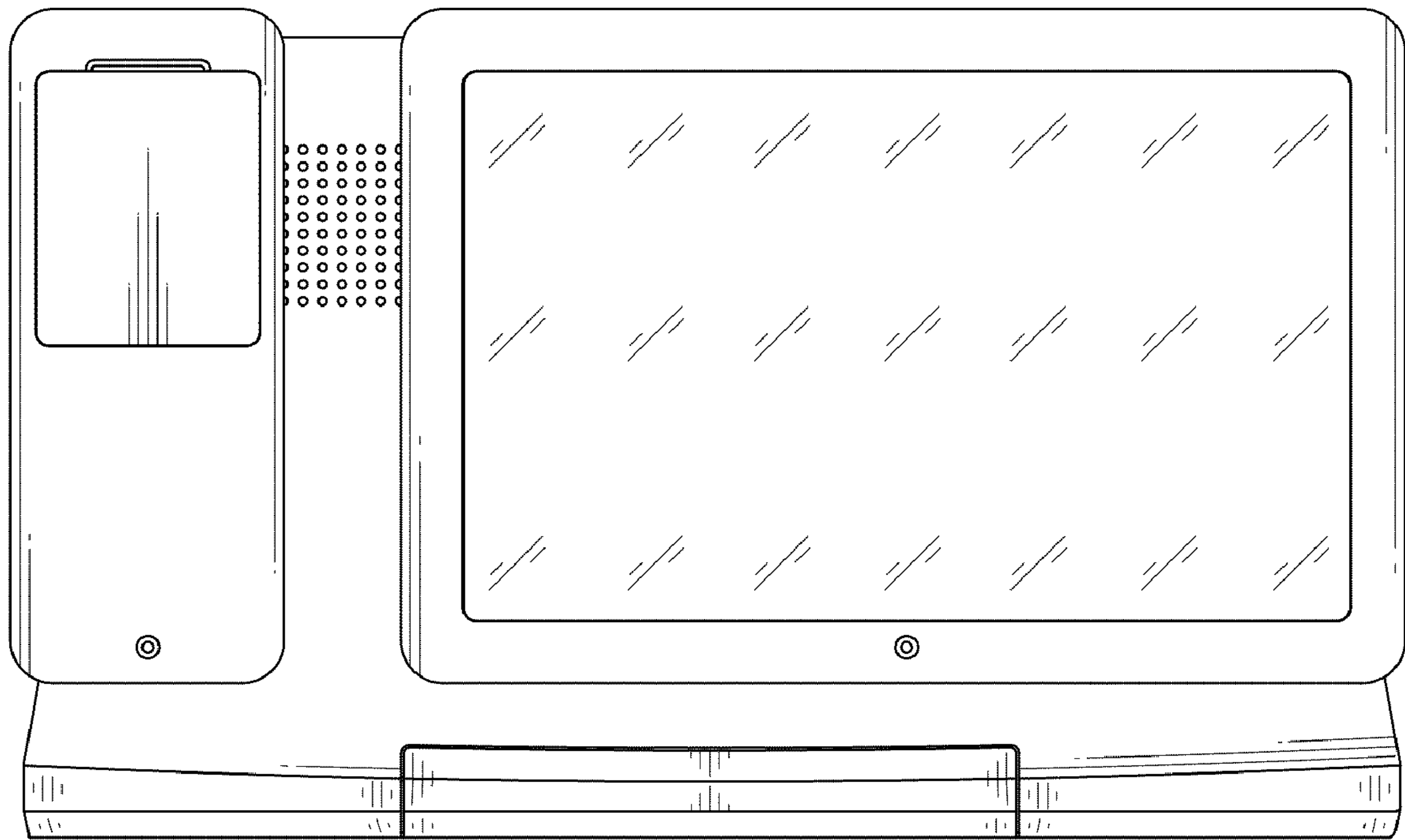


FIG. 2

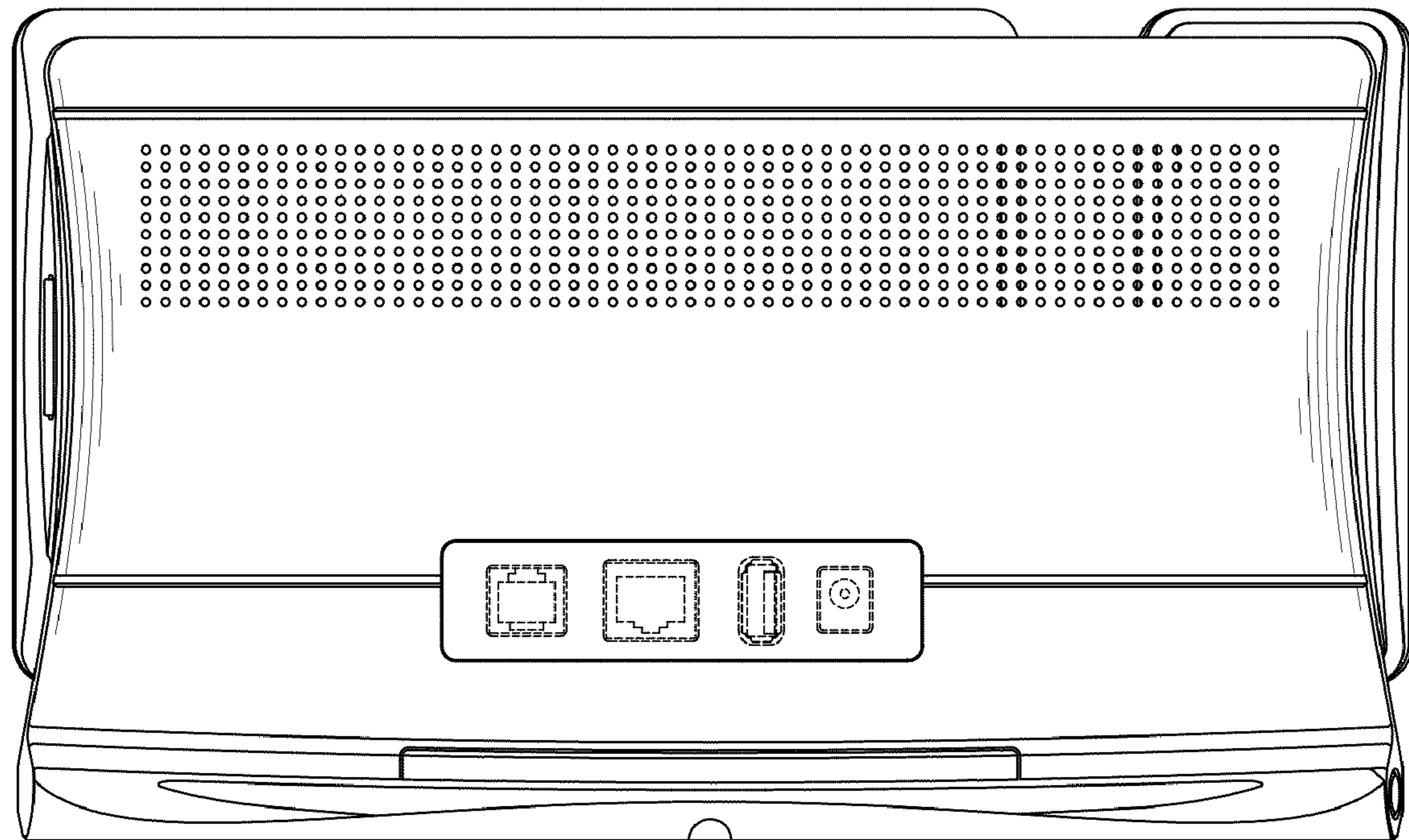


FIG. 3



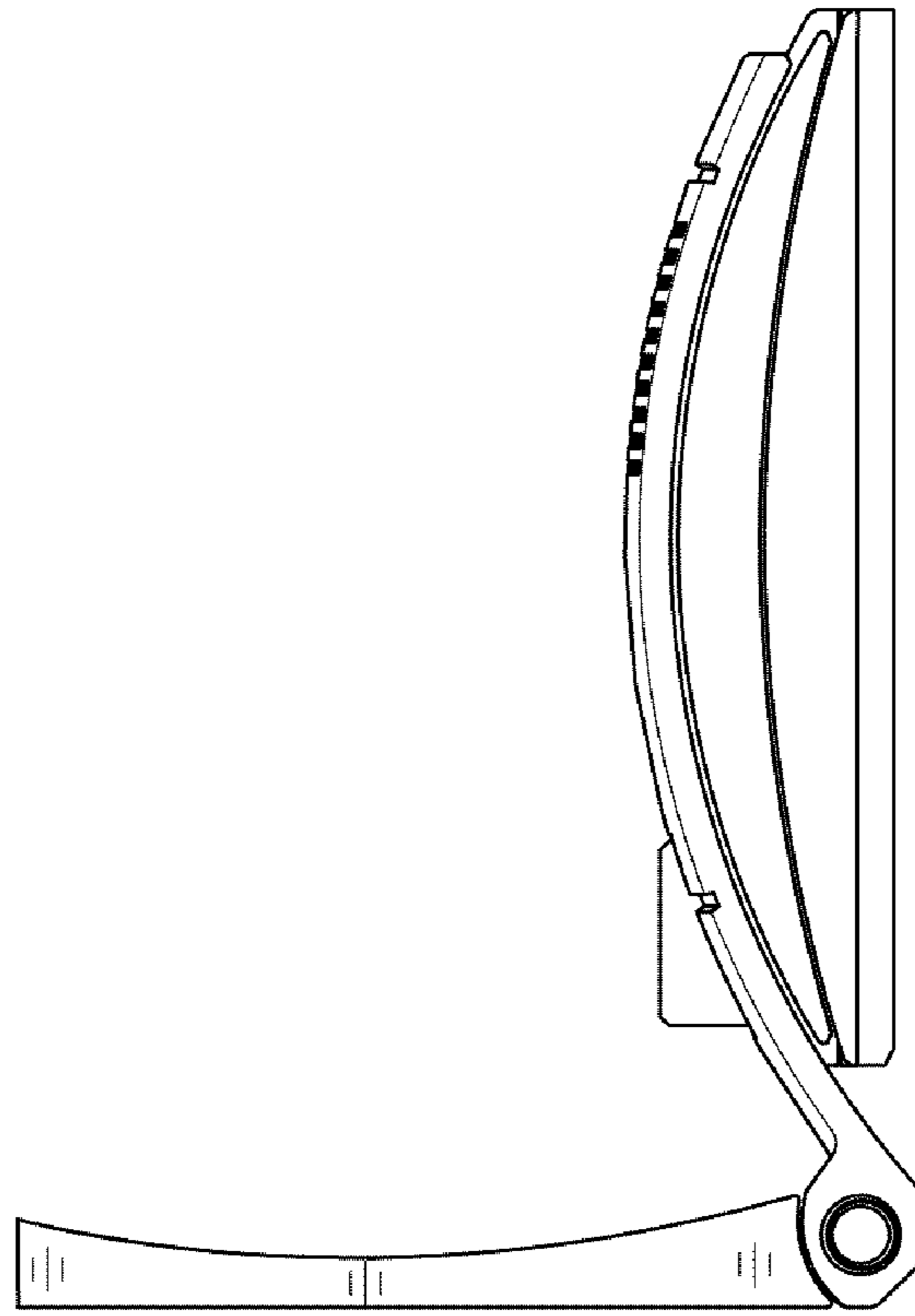


FIG. 4

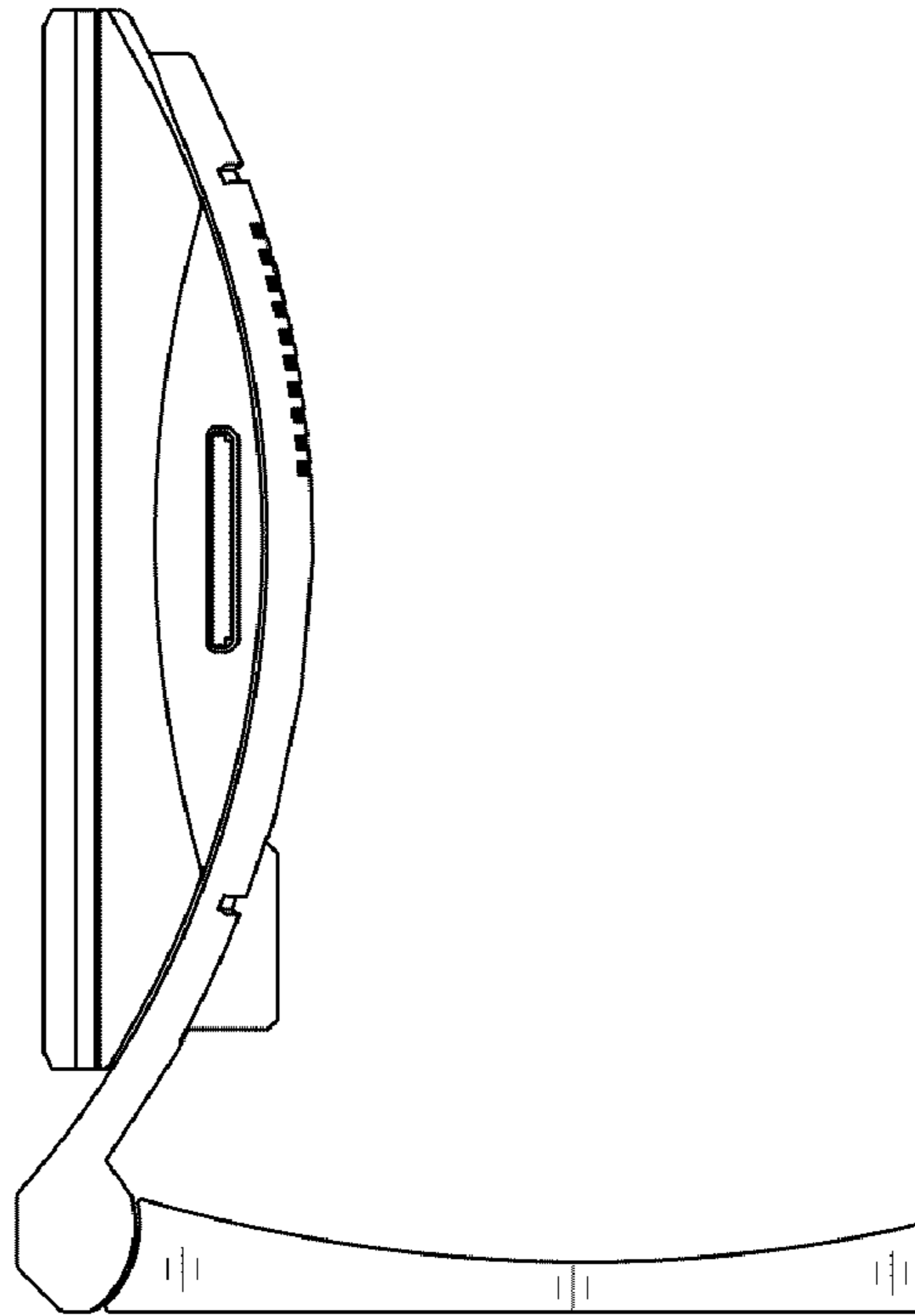


FIG. 5

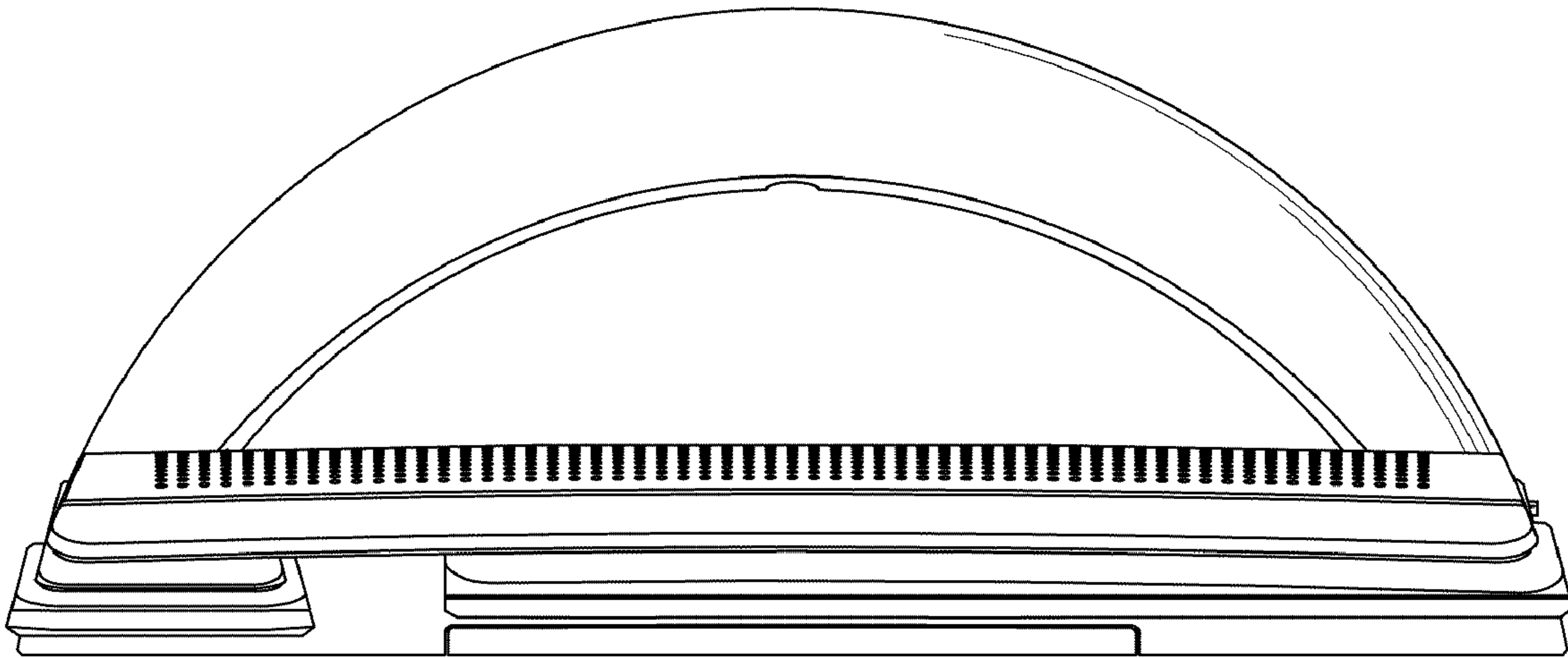


FIG. 6



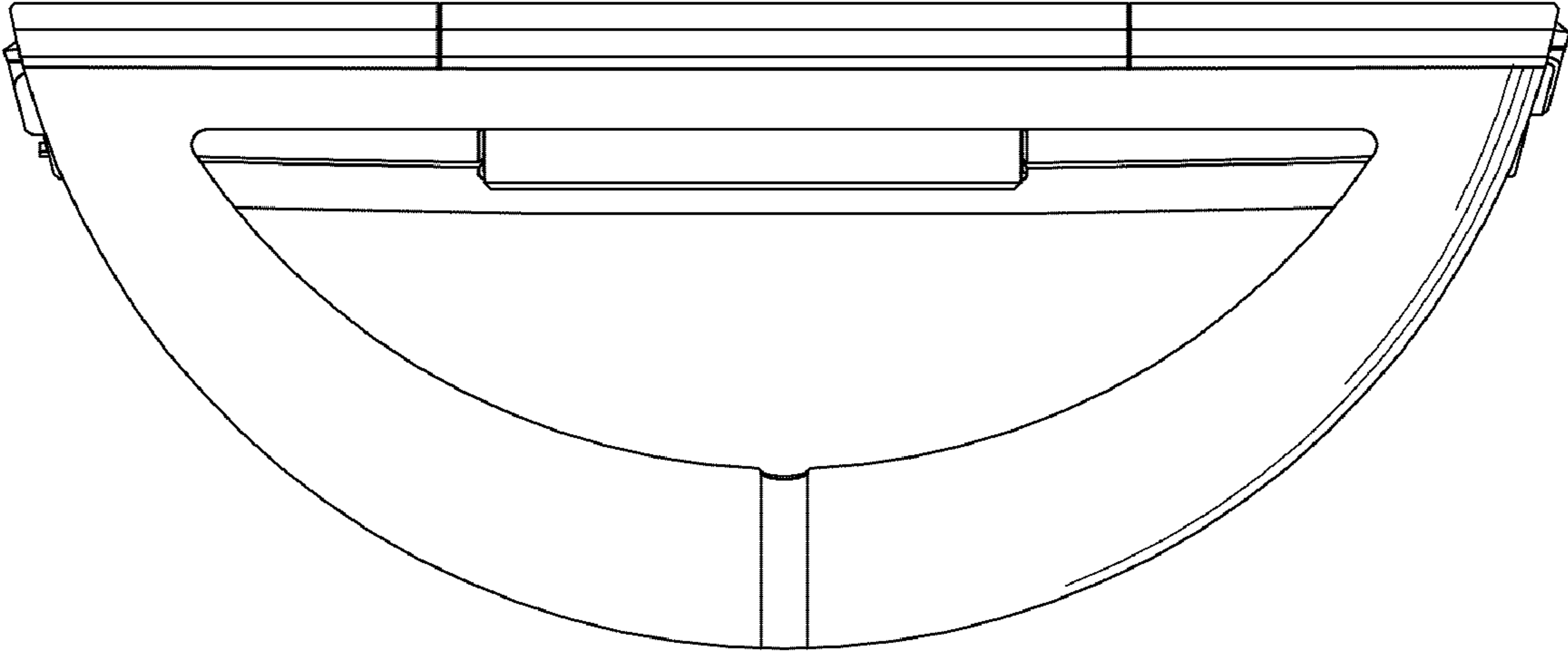


FIG. 7