



US00D615064S

(12) **United States Design Patent**
Kim et al.

(10) **Patent No.:** **US D615,064 S**

(45) **Date of Patent:** **** May 4, 2010**

(54) **MOBILE PHONE**

(75) Inventors: **Jun Kim**, Kyunggi-do (KR); **Young Keun Lee**, Seoul (KR); **Chang Hwan Hwang**, Goyang-si (KR)

(73) Assignee: **Samsung Electronics Co., Ltd.**, Suwon (KR)

(**) Term: **14 Years**

(21) Appl. No.: **29/342,435**

(22) Filed: **Aug. 25, 2009**

(51) **LOC (9) Cl.** **14-03**

(52) **U.S. Cl.** **D14/138 AB**

(58) **Field of Classification Search** D14/138 AB,
D14/138 R, 138 AD, 345, 346, 147, 203.4,
D14/203.7, 203.2, 144; 455/575.3; 379/433.1,
379/433.11, 433.13; D21/517
See application file for complete search history.

(56) **References Cited**

U.S. PATENT DOCUMENTS

- D498,220 S * 11/2004 Park D14/138 AB
- D510,079 S * 9/2005 Kim et al. D14/138 AB
- D512,038 S * 11/2005 Kim et al. D14/138 AB
- D519,971 S * 5/2006 Morita et al. D14/138 AB
- D526,982 S * 8/2006 Ahn D14/138 AB
- D536,324 S * 2/2007 Oh et al. D14/138 AB
- D552,577 S * 10/2007 Kim et al. D14/138 AB
- D563,349 S * 3/2008 Kim et al. D14/138 AB
- D566,084 S * 4/2008 Oh et al. D14/138 AB
- D571,334 S * 6/2008 Chung et al. D14/138 AB
- D571,338 S * 6/2008 Yoon D14/138 AB
- D571,340 S * 6/2008 Song et al. D14/138 AB
- D571,343 S * 6/2008 Cha et al. D14/138 AB
- D572,691 S * 7/2008 Song et al. D14/138 AB
- D576,985 S * 9/2008 Lee et al. D14/138 AB
- D578,978 S * 10/2008 Kim et al. D14/138 AB
- D579,892 S * 11/2008 Kim et al. D14/138 AB
- D582,881 S * 12/2008 Son et al. D14/138 AB
- D597,995 S * 8/2009 Jones et al. D14/138 AB
- D597,998 S * 8/2009 Song et al. D14/138 AB

- D598,882 S * 8/2009 Chambers et al. D14/138 AB
- D598,883 S * 8/2009 Chambers et al. D14/138 AB
- D603,819 S * 11/2009 Yoon D14/138 AB
- 2004/0097262 A1* 5/2004 Lee 455/556.1
- 2005/0233784 A1* 10/2005 You et al. 455/575.3

OTHER PUBLICATIONS

Samsung E790 telephone, announced Jan. 2007, [online], [site visited Nov. 16, 2009]. Available from Internet ,<URL: <http://www.gsmarena.com>>.*

LG C3380 telephone, announced 1st quarter 2005, [online], [site visited Nov. 16, 2009]. Available from Internet ,<URL: <http://www.gsmarena.com>>.*

(Continued)

Primary Examiner—Jeffrey D Asch
(74) *Attorney, Agent, or Firm*—Ladas and Parry LLP

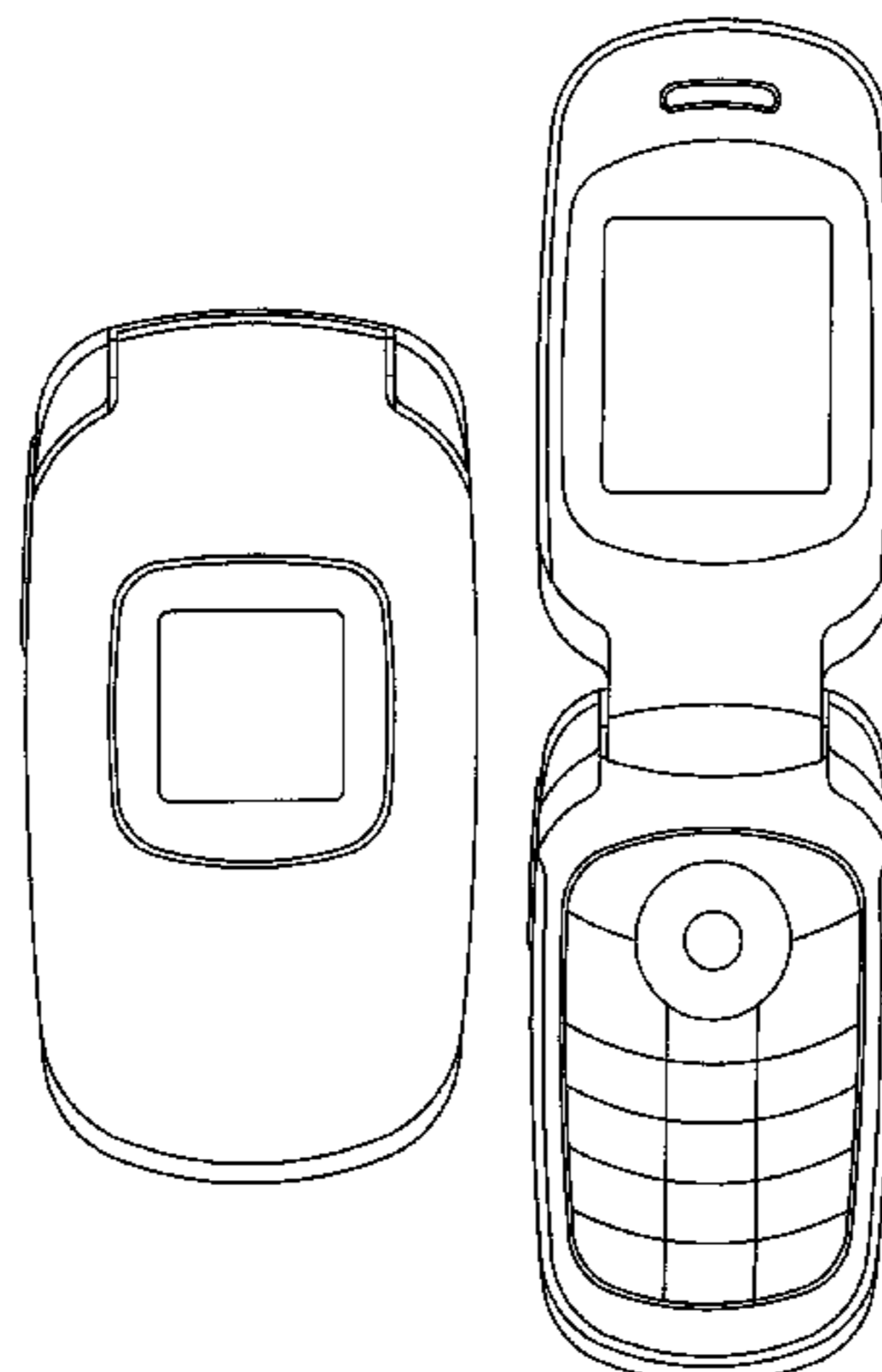
(57) **CLAIM**

We claim the ornamental design for mobile phone, as shown.

DESCRIPTION

FIG. 1 is a front/right-side/top perspective view of a mobile phone showing our new design;
FIG. 2 is a front-side elevational view thereof;
FIG. 3 is a rear-side elevational view thereof;
FIG. 4 is a left-side elevational view thereof;
FIG. 5 is a right-side elevational view thereof;
FIG. 6 is a top-side elevational view thereof; and
FIG. 7 is a bottom-side elevational view thereof; and,
FIG. 8 is a front-side elevational view of a mobile phone opened.

1 Claim, 7 Drawing Sheets



OTHER PUBLICATIONS

Sagem VS3 telephone, announced 4th quarter 2005, [online], [site visited Nov. 16, 2009]. Available from Internet ,<URL: <http://www.gsmarena.com>>.*

LG KG240 telephone, announced Jun. 2006, [online], [site visited Nov. 16, 2009]. Available from Internet ,<URL: <http://www.gsmarena.com>>.*

* cited by examiner

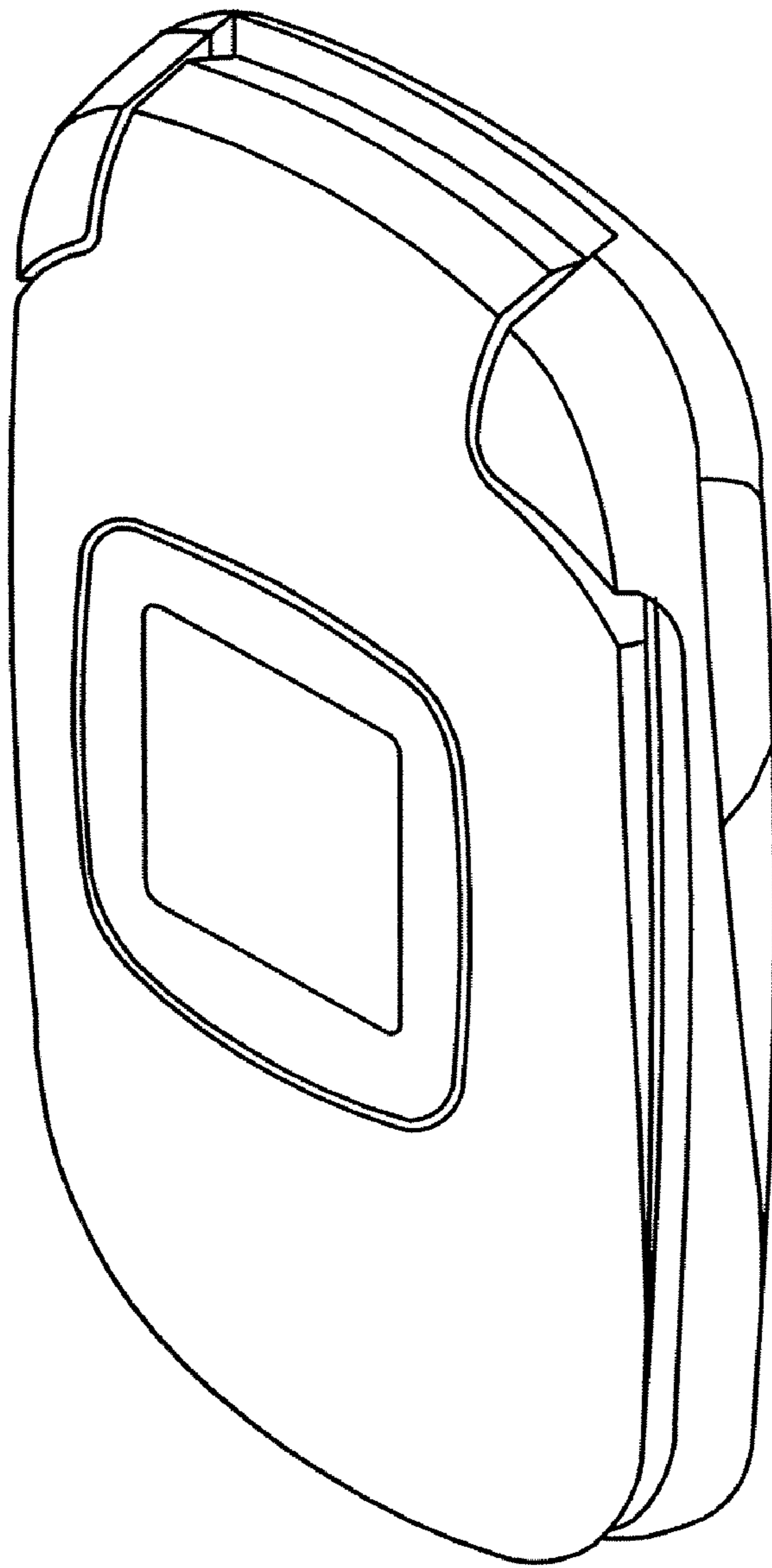


FIG. 1

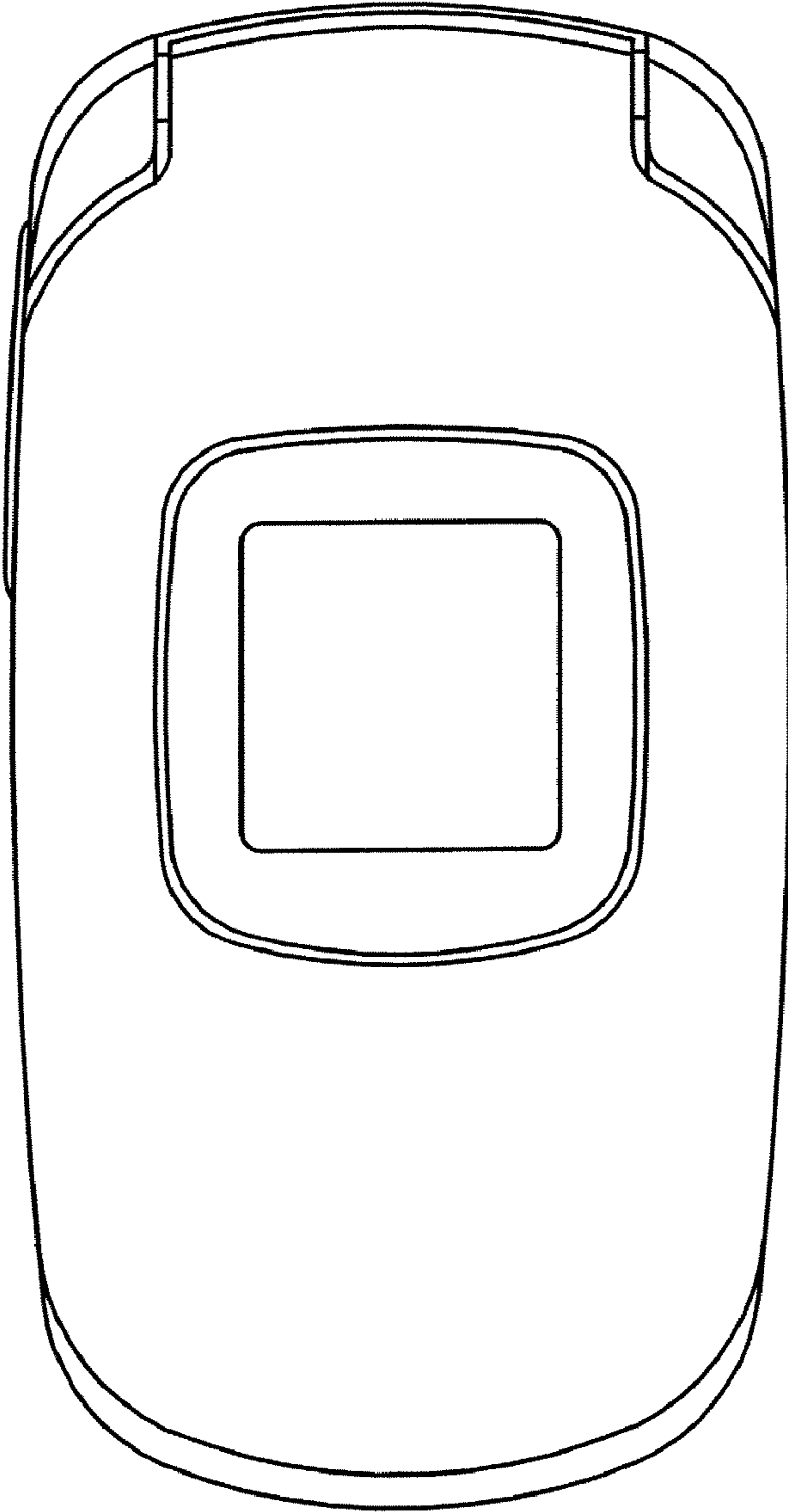


FIG. 2

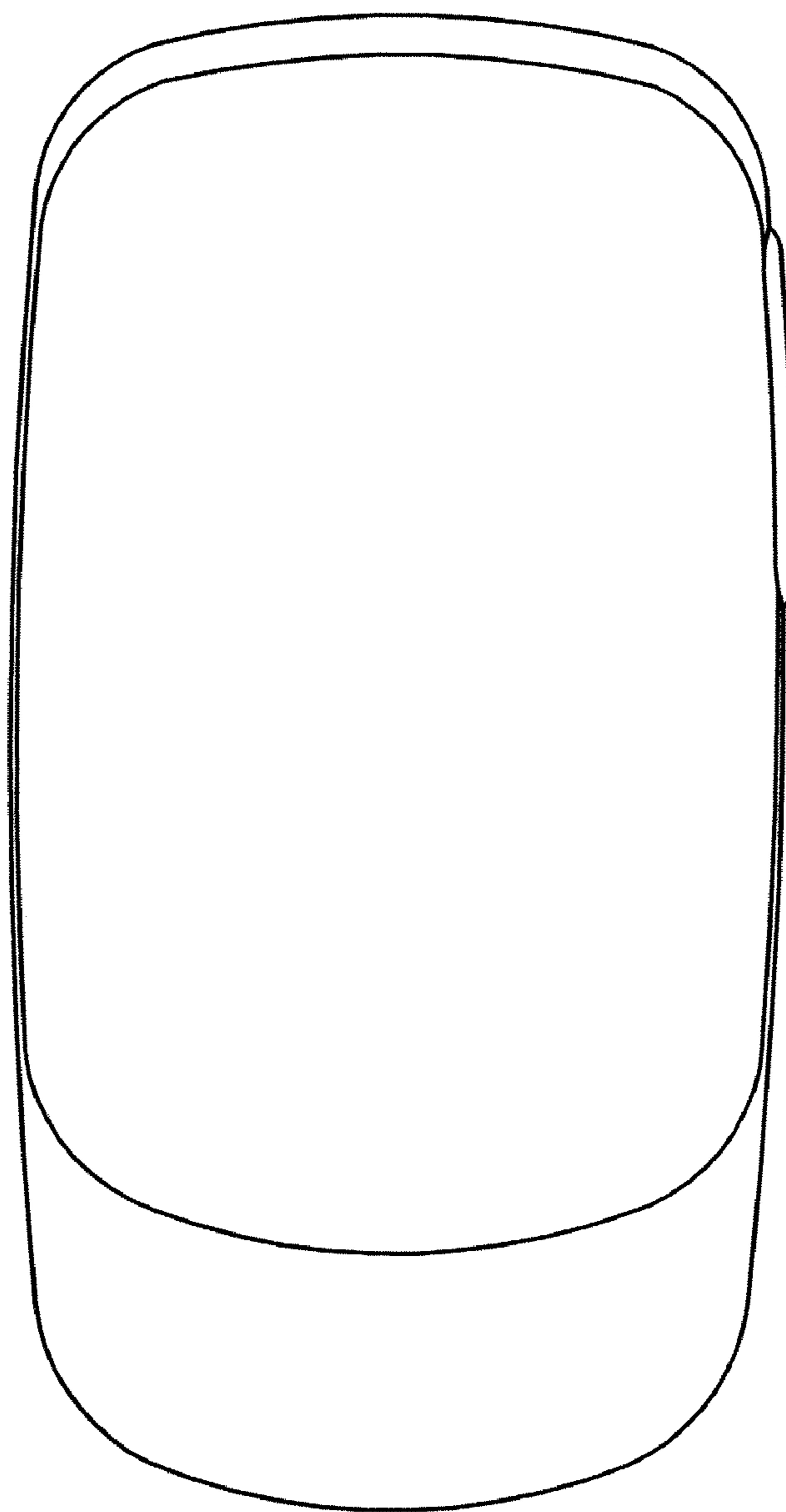


FIG. 3

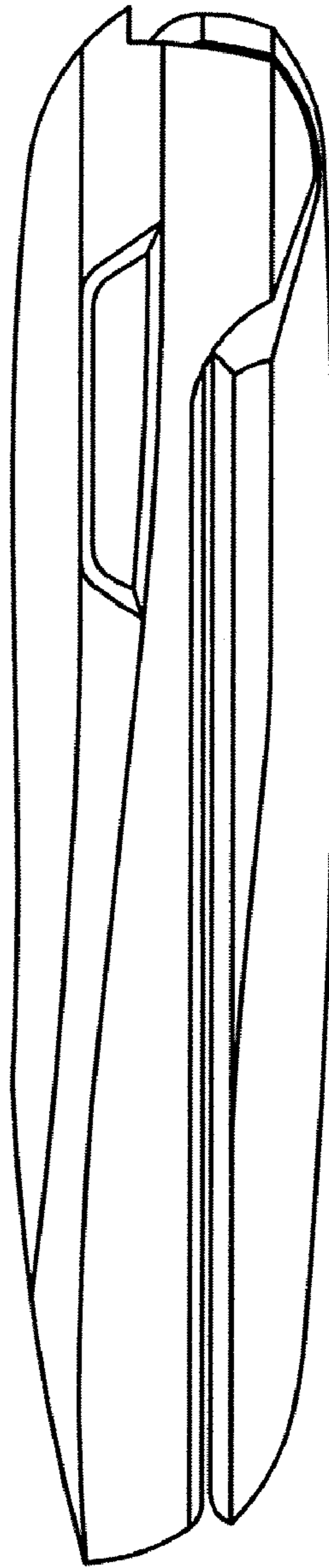


FIG. 4

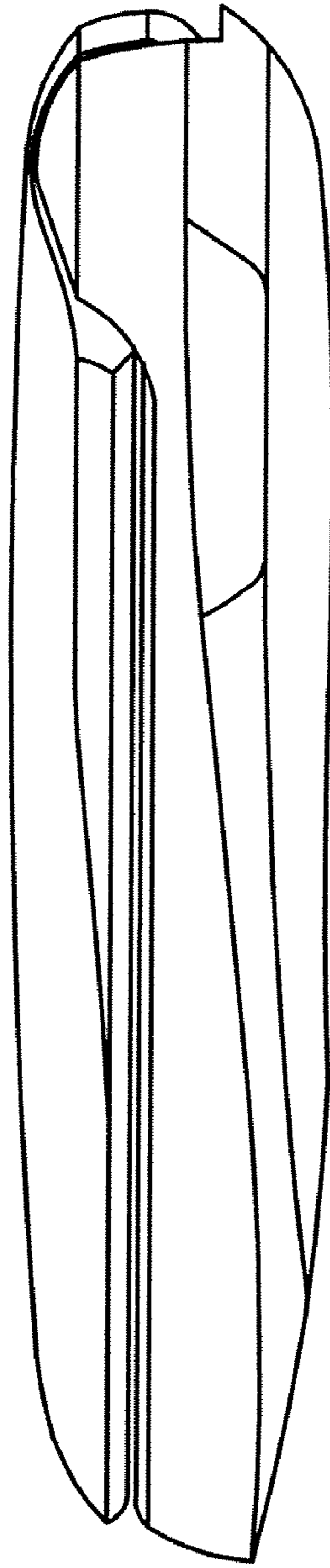


FIG. 5

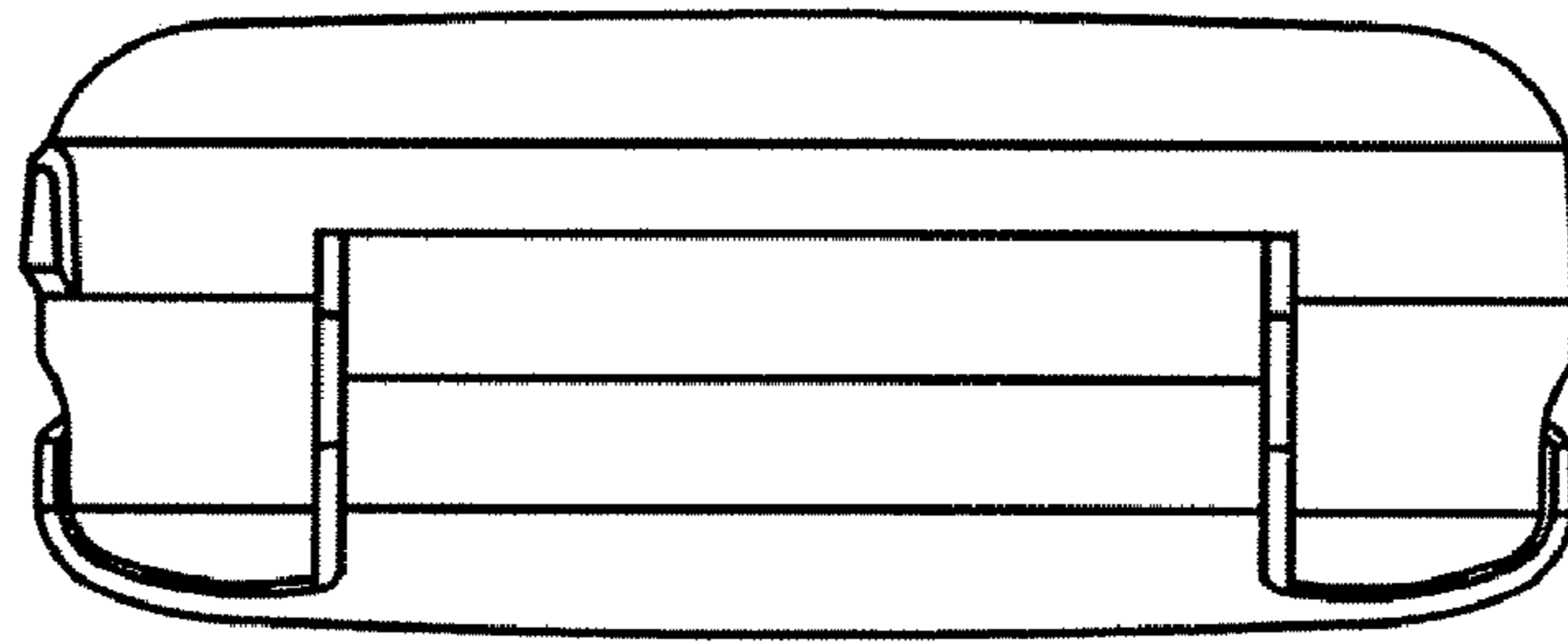


FIG. 6

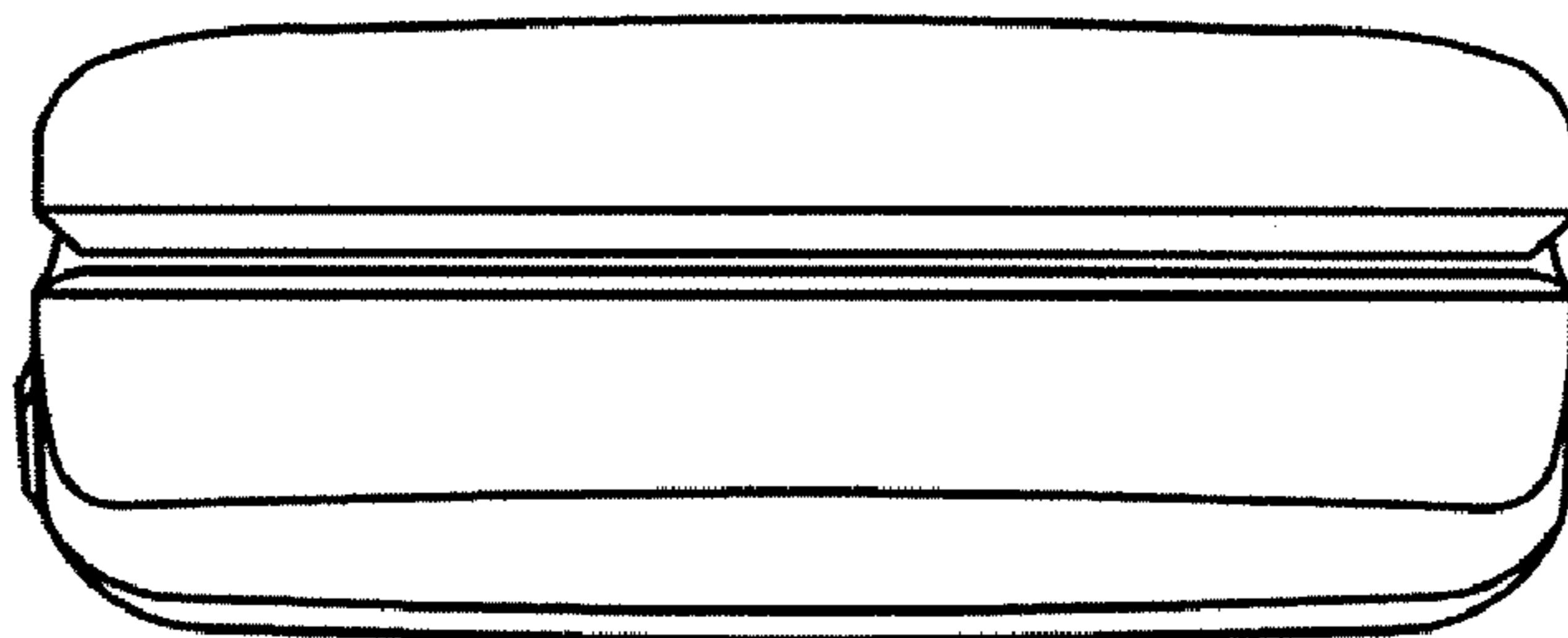


FIG. 7

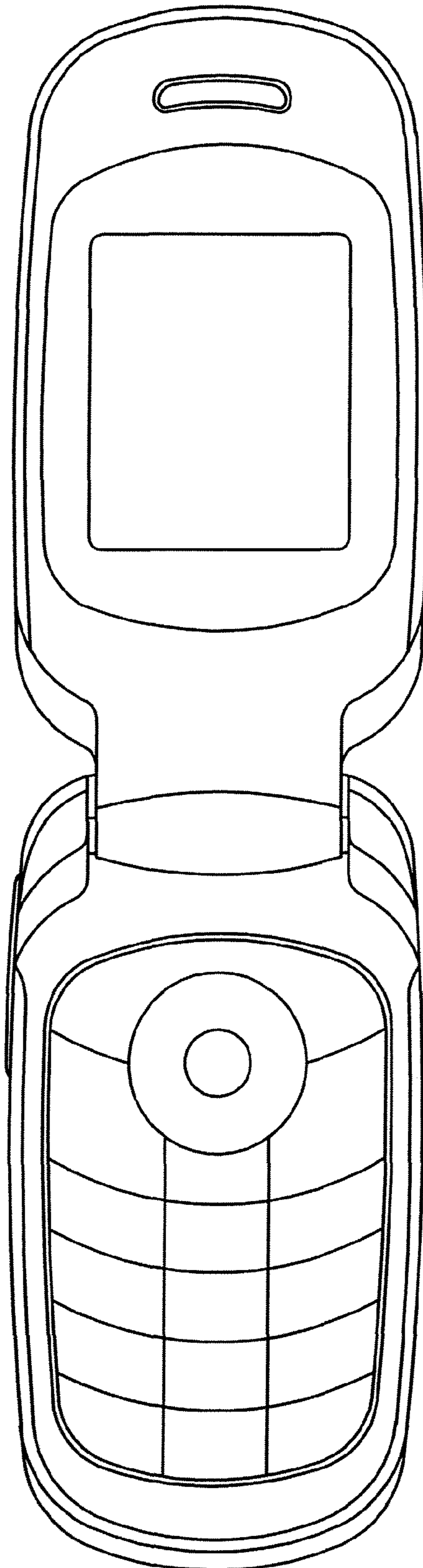


FIG. 8