

US00D615060S

(12) **United States Design Patent**
Kim et al.

(10) **Patent No.:** **US D615,060 S**

(45) **Date of Patent:** **** *May 4, 2010**

(54) **MOBILE PHONE**

(75) Inventors: **Yu-Guen Kim**, Seoul (KR); **Sang-Min Hyun**, Seoul (KR); **Seog-Guen Kim**, Seoul (KR)

(73) Assignee: **Samsung Electronics Co., Ltd.** (KR)

(*) Notice: This patent is subject to a terminal disclaimer.

(**) Term: **14 Years**

(21) Appl. No.: **29/338,170**

(22) Filed: **Jun. 5, 2009**

(30) **Foreign Application Priority Data**

Apr. 16, 2009 (KR) 30-2009-0016318

(51) **LOC (9) Cl.** **14-03**

(52) **U.S. Cl.** **D14/138 AA**

(58) **Field of Classification Search** D14/138 AA,
D14/138 R, 147, 341, 346, 137; 455/575.1,
455/90.3, 556.1; 379/433.01, 433.04

See application file for complete search history.

(56) **References Cited**

U.S. PATENT DOCUMENTS

D496,921 S *	10/2004	Hwang	D14/138 AA
D513,741 S *	1/2006	Jensfelt	D14/138 AA
D532,767 S *	11/2006	Yoshino et al.	D14/138 AA
D538,770 S *	3/2007	Lyles	D14/138 AA
D543,967 S *	6/2007	Peng	D14/138 AA
D544,851 S *	6/2007	Burns	D14/138 AA
D549,208 S *	8/2007	Huang et al.	D14/138 AA
D550,193 S *	9/2007	Kim et al.	D14/138 AA
D556,167 S *	11/2007	Yang et al.	D14/138 AA
D558,707 S *	1/2008	Travis et al.	D14/138 AA
D561,145 S *	2/2008	Di et al.	D14/138 AA

D564,483 S *	3/2008	He	D14/138 AA
D576,135 S *	9/2008	Moss	D14/138 AA
D576,584 S *	9/2008	Buckle et al.	D14/138 AA
D576,589 S *	9/2008	Montin et al.	D14/138 AA
D576,992 S *	9/2008	Kim et al.	D14/138 AA
D578,101 S *	10/2008	Park et al.	D14/138 AA
D580,902 S *	11/2008	Bolton et al.	D14/138 AA
D584,712 S *	1/2009	Okkonen	D14/138 AA
D588,563 S *	3/2009	Oh et al.	D14/138 R
D593,049 S *	5/2009	Christiansen et al.	...	D14/138 R
D597,044 S *	7/2009	Suk et al.	D14/138 AA
D597,051 S *	7/2009	Kim et al.	D14/138 AA

OTHER PUBLICATIONS

Samsung S9402 Ego telephone, announced Dec. 2008, [online], [site visited Sep. 16, 2009]. Available from Internet, <URL: <http://www.gsmarena.com>>.*

i-mobile Hitz 232CG telephone, announced Jul. 2009, [online], [site visited Sep. 16, 2009]. Available from Internet, <URL: <http://www.gsmarena.com>>.*

* cited by examiner

Primary Examiner—Jeffrey D Asch

(74) *Attorney, Agent, or Firm*—NSIP Law, PC

(57) **CLAIM**

The ornamental design for a mobile phone, as shown.

DESCRIPTION

FIG. 1 is a perspective view of a mobile phone;
FIG. 2 is a front view of the mobile phone of FIG. 1;
FIG. 3 is a rear view of the mobile phone of FIG. 1;
FIG. 4 is a left-side view of the mobile phone of FIG. 1;
FIG. 5 is a right-side view of the mobile phone of FIG. 1;
FIG. 6 is a top plan view of the mobile phone of FIG. 1; and,
FIG. 7 is a bottom plan view of the mobile phone of FIG. 1.

1 Claim, 5 Drawing Sheets

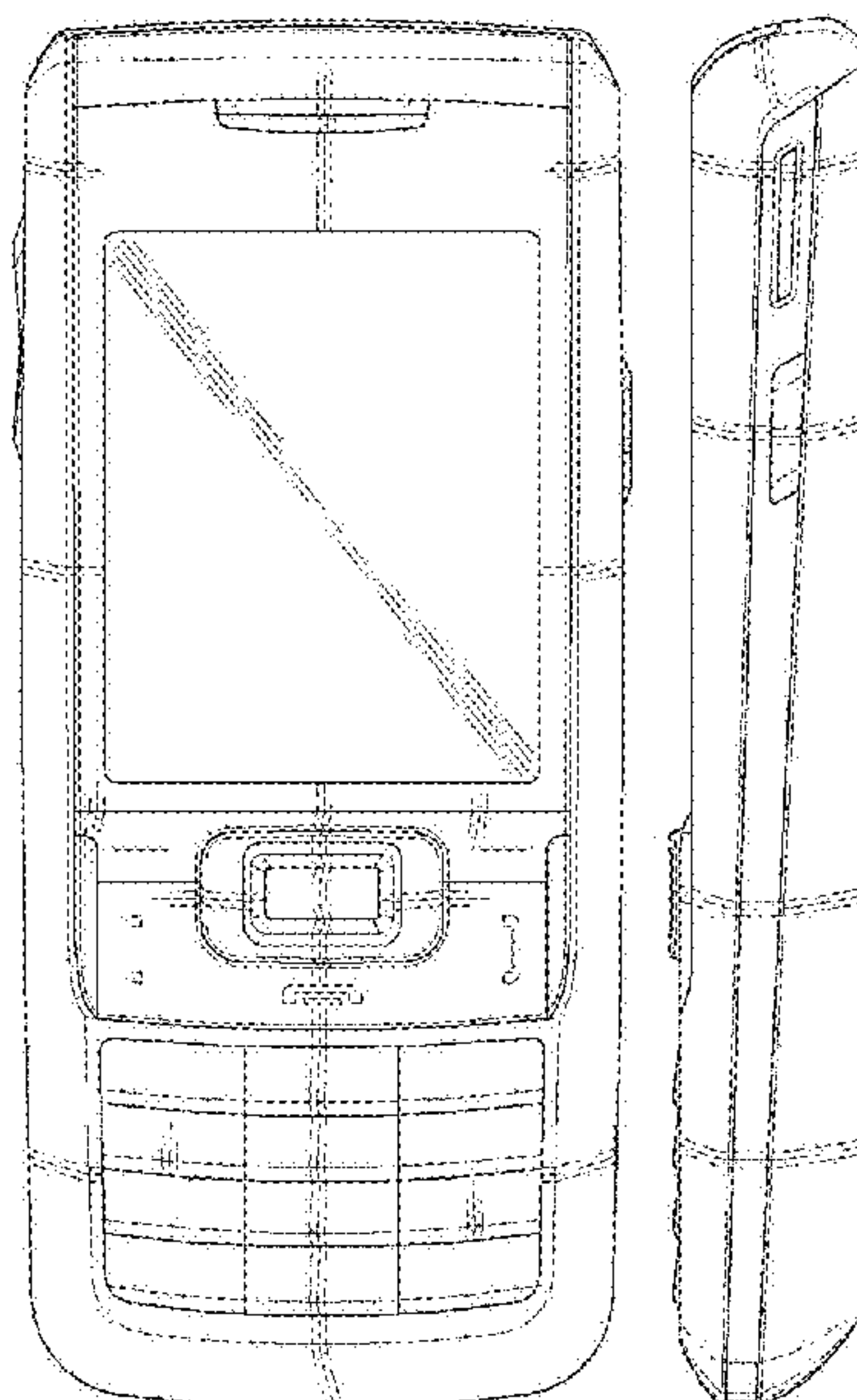


FIG. 1

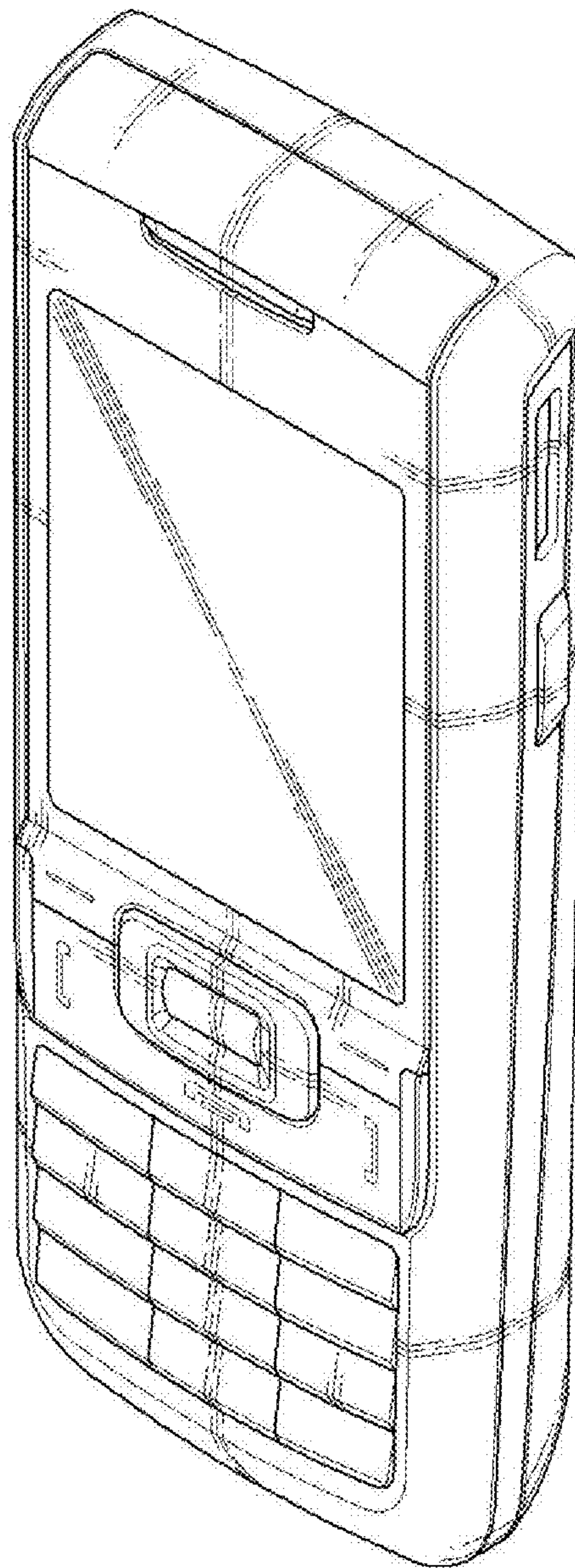


FIG. 2

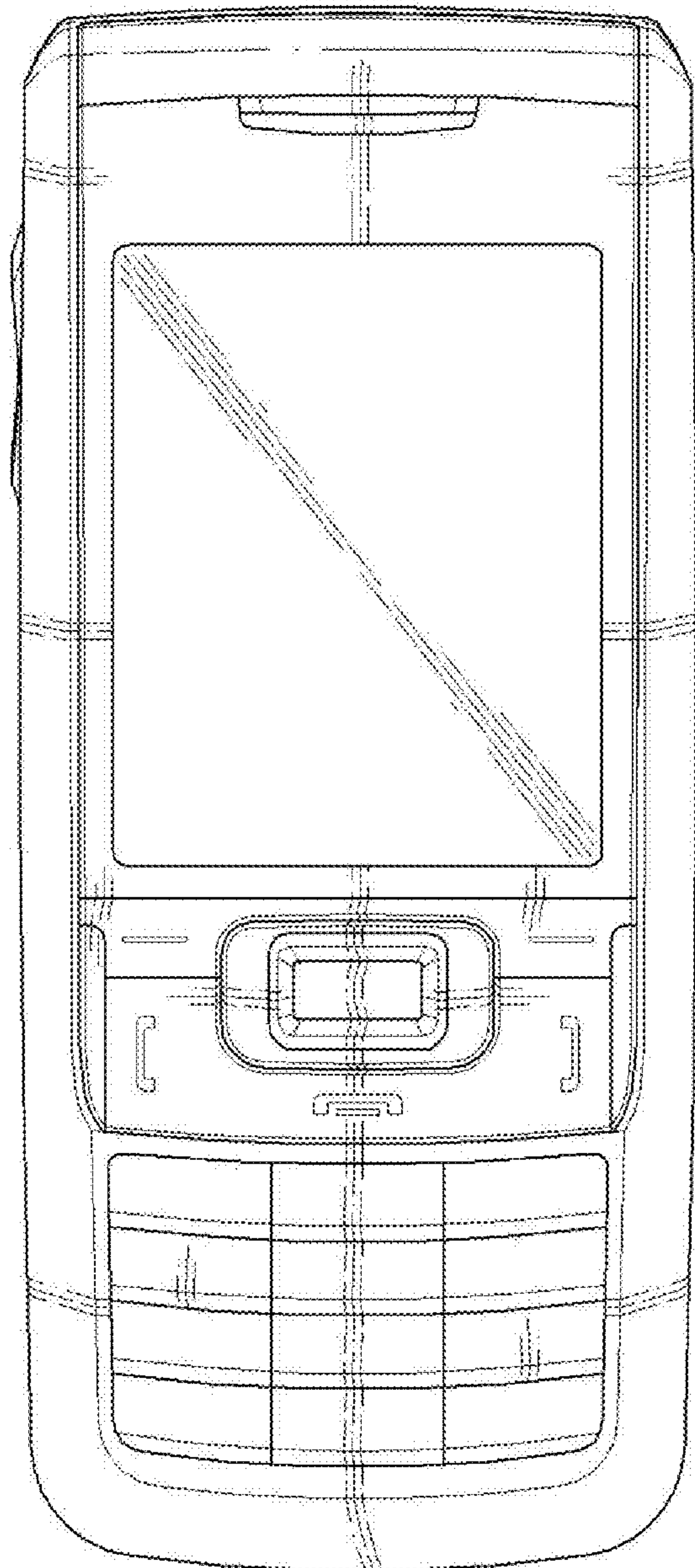


FIG. 3

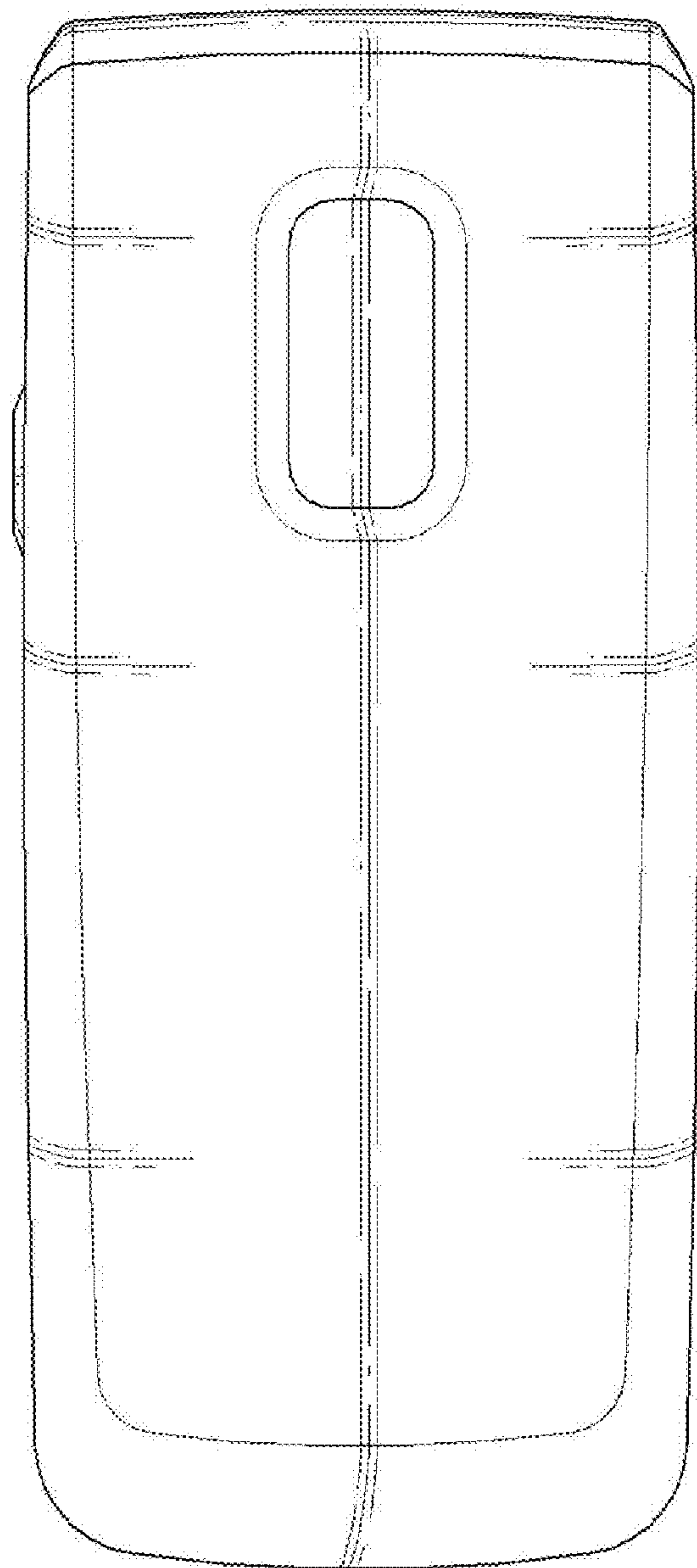


FIG. 4

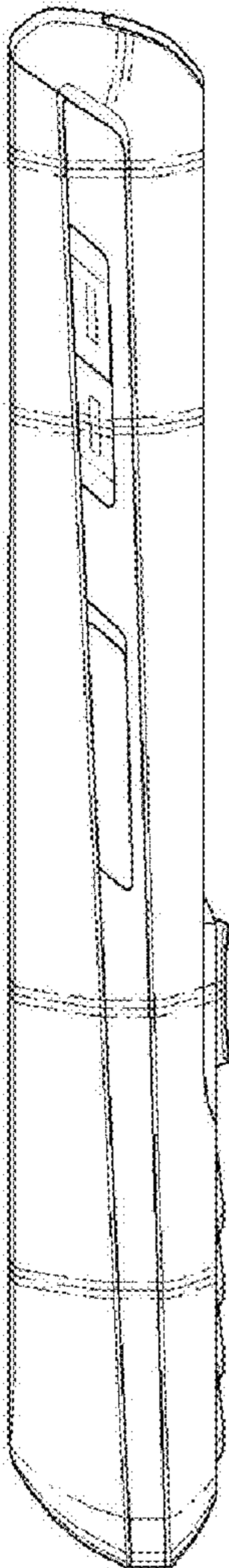


FIG. 5

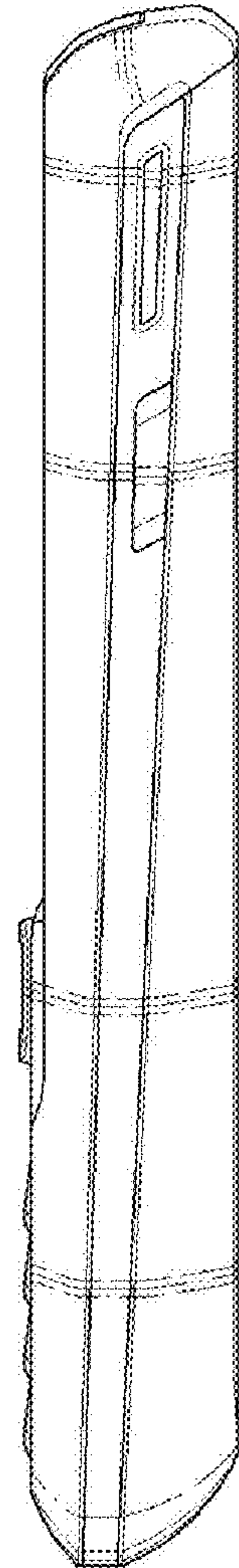


FIG. 6

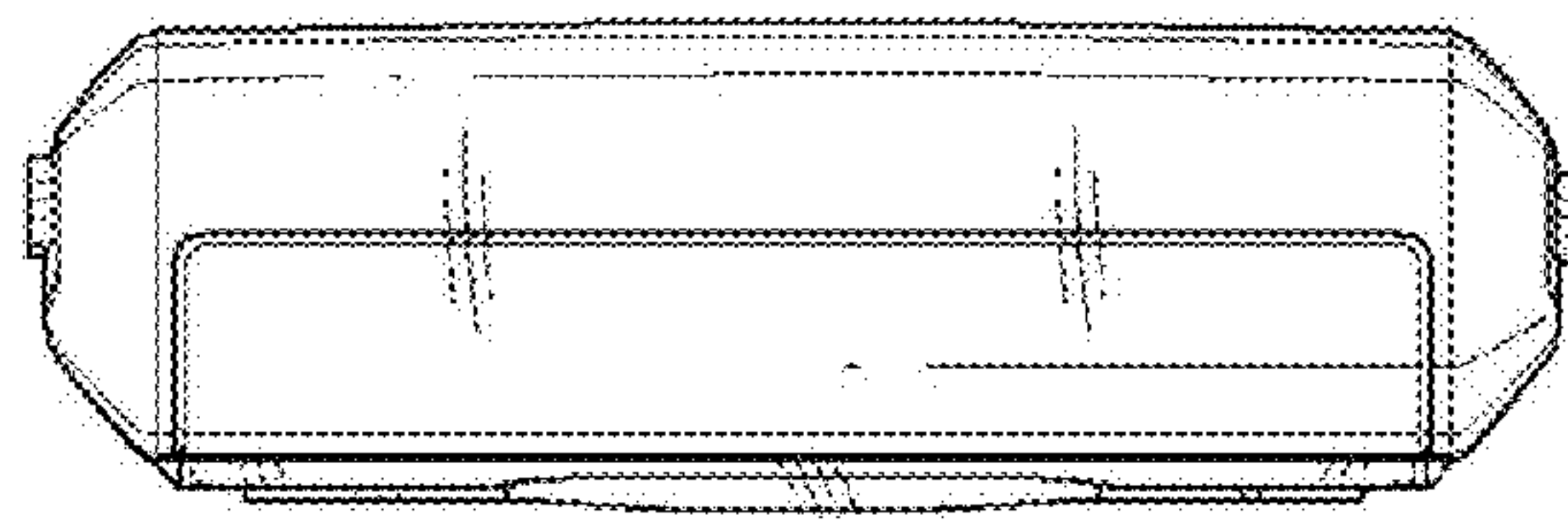


FIG. 7

