



US00D615054S

(12) **United States Design Patent**  
**Mellingen et al.**

(10) **Patent No.:** **US D615,054 S**

(45) **Date of Patent:** **\*\* May 4, 2010**

(54) **DOUBLE MONITOR AND STAND**

(75) Inventors: **Torkel Mellingen**, Oslo (NO); **Stig Myler**, Fredensborg (DK); **Friederike Faller**, Frederiksberg (DK)

(73) Assignee: **Tandberg Telecom AS**, Lysaker (NO)

(\*\*) Term: **14 Years**

(21) Appl. No.: **29/342,237**

(22) Filed: **Aug. 20, 2009**

(51) **LOC (9) Cl.** ..... **14-02**

(52) **U.S. Cl.** ..... **D14/127; D14/128; D14/371**

(58) **Field of Classification Search** ..... D14/302–307, D14/133, 146, 371, 373, 125–129; D20/10; 194/205, 206; 361/679.06, 679.21, 679.55  
See application file for complete search history.

(56) **References Cited**

**U.S. PATENT DOCUMENTS**

5,687,939	A *	11/1997	Moscovitch	.....	248/122.1
5,904,328	A *	5/1999	Leveridge et al.	.....	248/124.1
RE36,978	E *	12/2000	Moscovitch	.....	248/122.1
D449,302	S *	10/2001	Jung	.....	D14/373
6,343,006	B1 *	1/2002	Moscovitch et al.	...	361/679.04
6,554,238	B1 *	4/2003	Hibberd	.....	248/278.1
D499,704	S *	12/2004	Song	.....	D14/127
D510,920	S *	10/2005	Tandberg et al.	.....	D14/127
D541,267	S	4/2007	Sagen et al.		
7,237,202	B2 *	6/2007	Gage	.....	715/761
D559,210	S	1/2008	Brown et al.		
D563,917	S *	3/2008	Kobayashi et al.	.....	D14/127

D579,888	S *	11/2008	Lunde et al.	.....	D14/127
D587,711	S *	3/2009	Han	.....	D14/373
D588,560	S	3/2009	Mellingen et al.		
D589,511	S *	3/2009	Han	.....	D14/373

**OTHER PUBLICATIONS**

U.S. Appl. No. 29/329,025, filed Dec. 8, 2008, Roed, et al.  
U.S. Appl. No. 29/342,244, filed Aug. 20, 2009, Mellingen, et al.  
U.S. Appl. No. 29/342,237, filed Aug. 20, 2009, Mellingen et al.

\* cited by examiner

*Primary Examiner*—Freda S Nunn

(74) *Attorney, Agent, or Firm*—Oblon, Spivak, McClelland, Maier & Neustadt, L.L.P.

(57) **CLAIM**

The ornamental design for a double monitor and stand, as shown and described.

**DESCRIPTION**

FIG. 1 is a front, top, and left side perspective view of a double monitor and stand;

FIG. 2 is a front elevational view thereof;

FIG. 3 is a rear elevational view thereof;

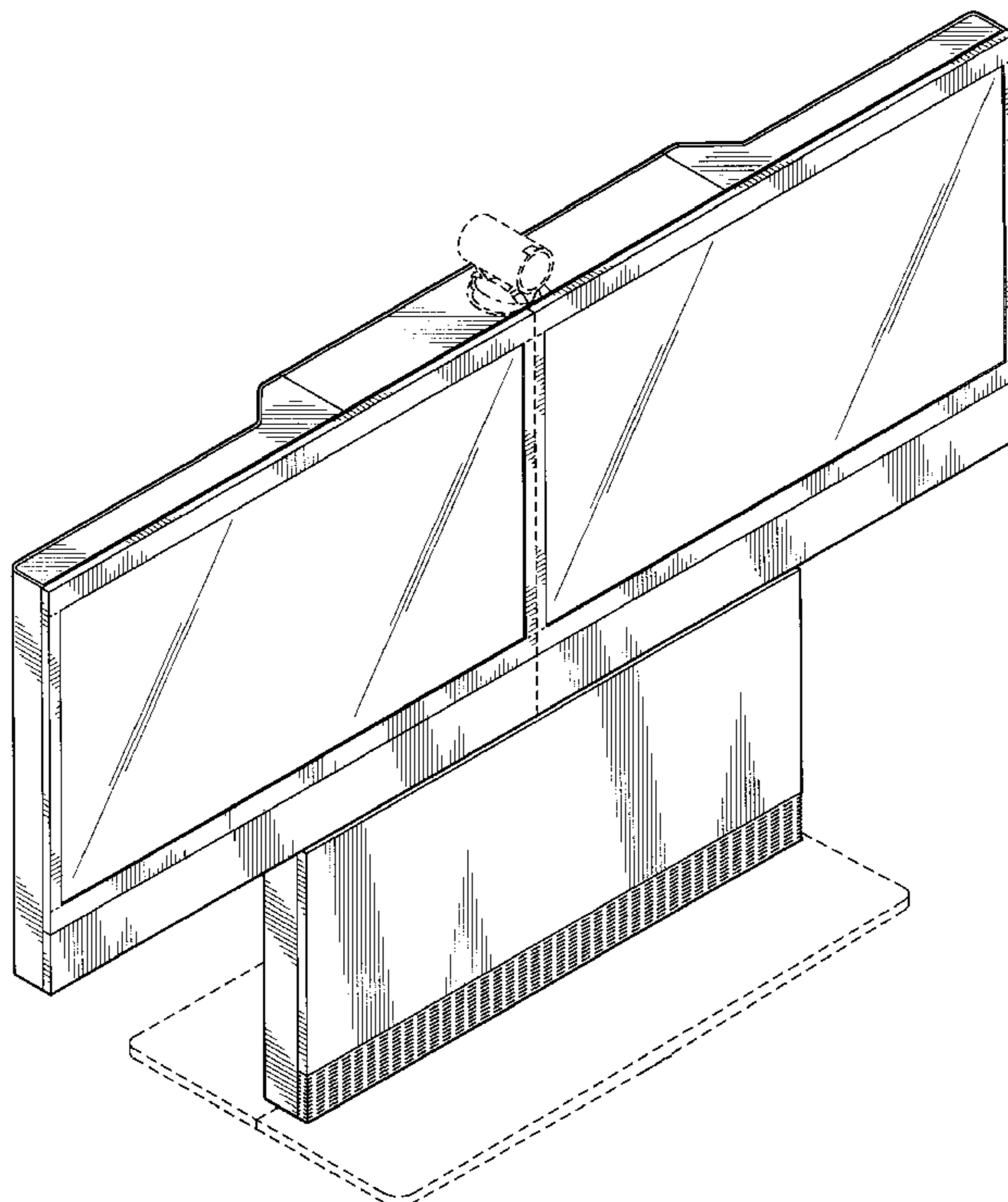
FIG. 4 is a bottom plan view thereof;

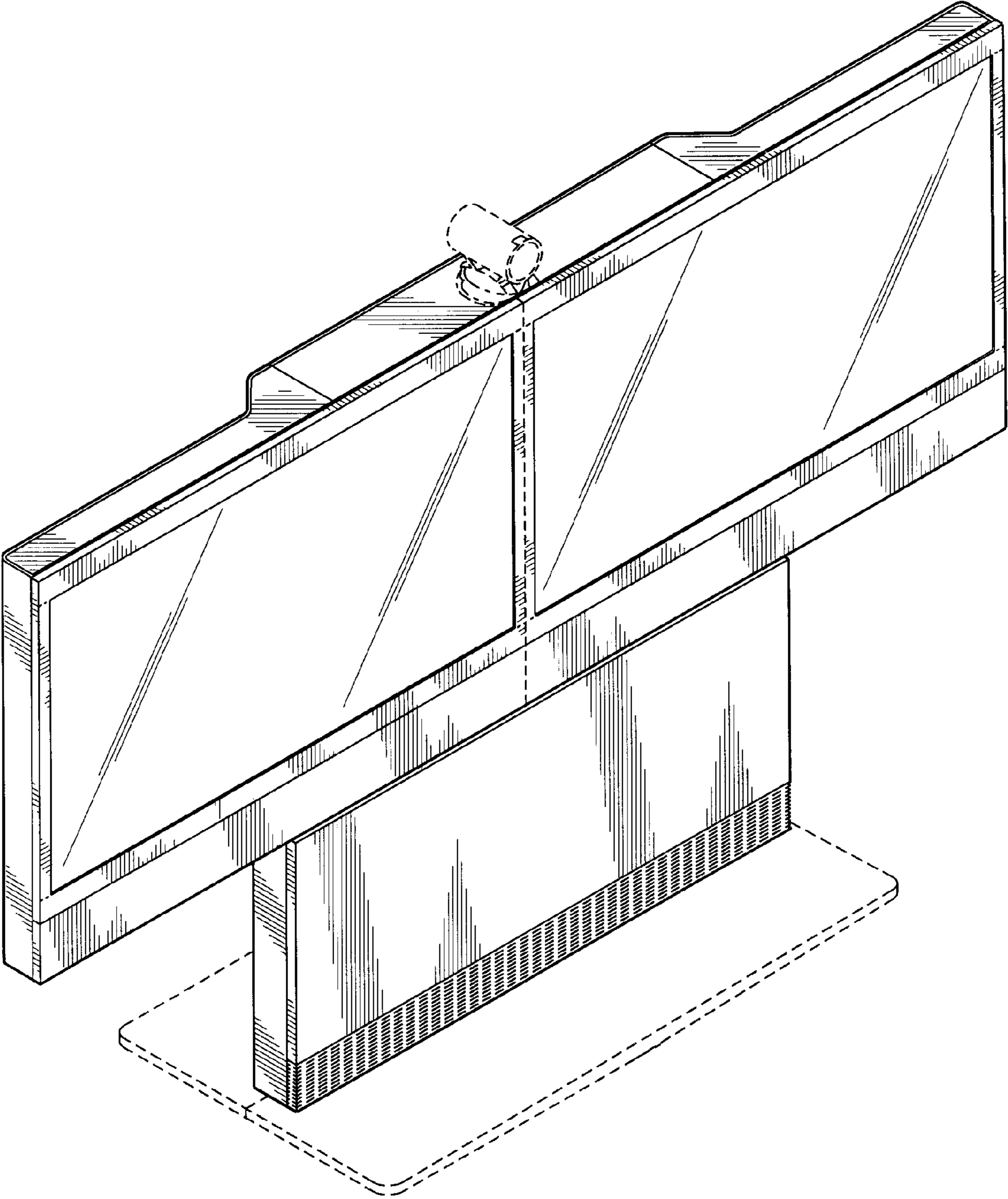
FIG. 5 is a top plan view thereof; and,

FIG. 6 is a left side elevational view thereof, the right side elevational view being a mirror image of the left side elevational view shown.

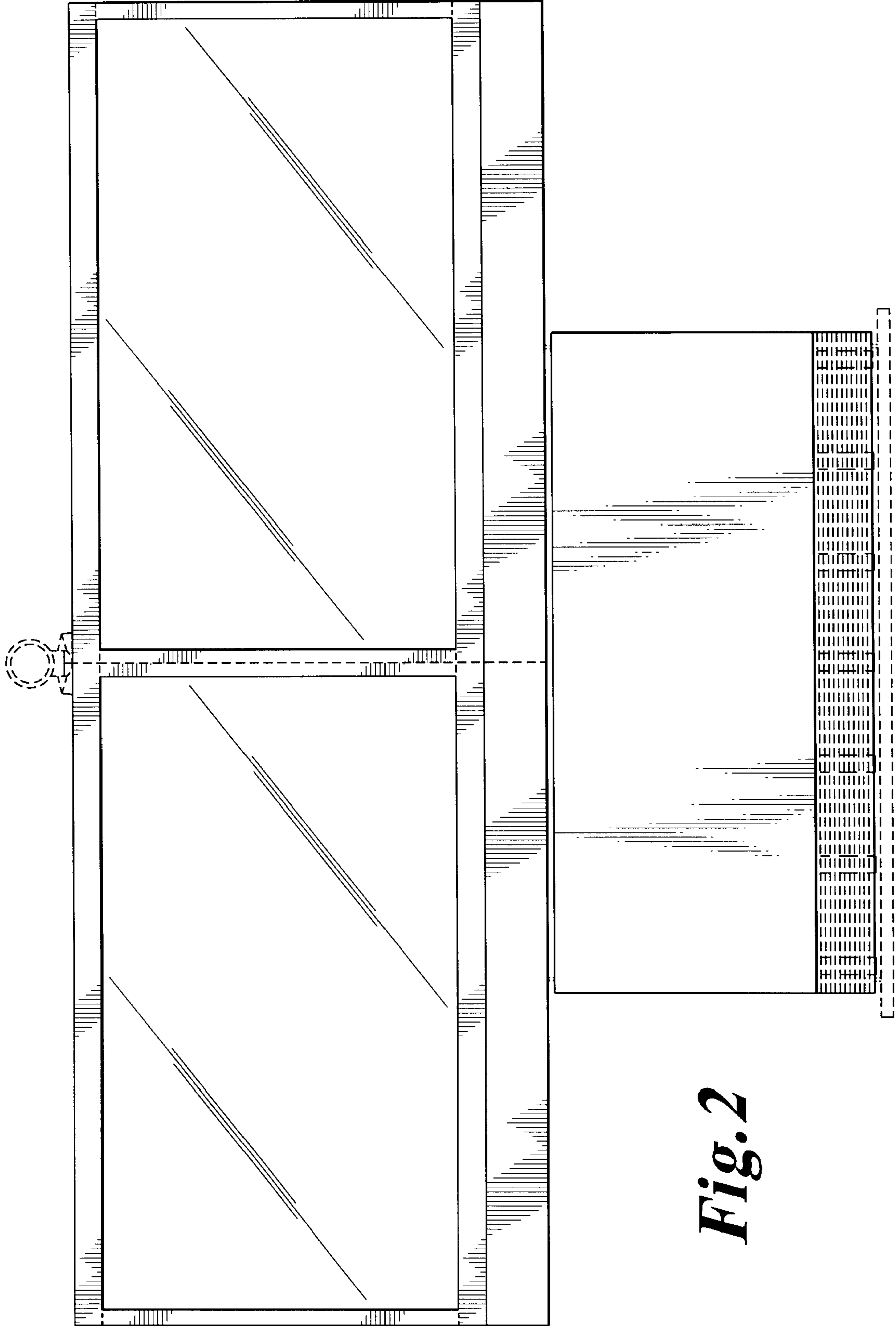
The broken lines in the drawings depict environmental subject matter only and form no part of the claimed design.

**1 Claim, 6 Drawing Sheets**

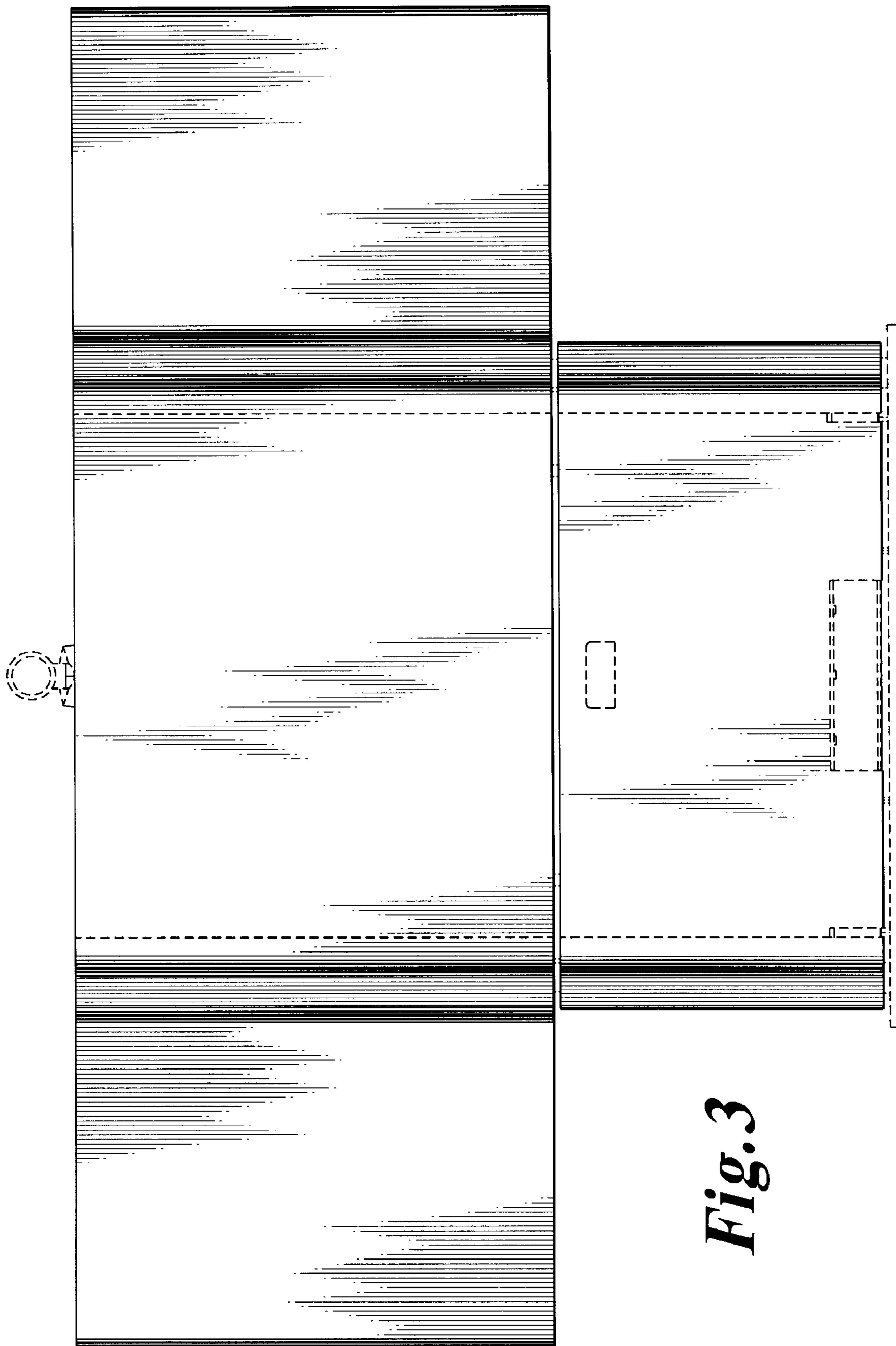




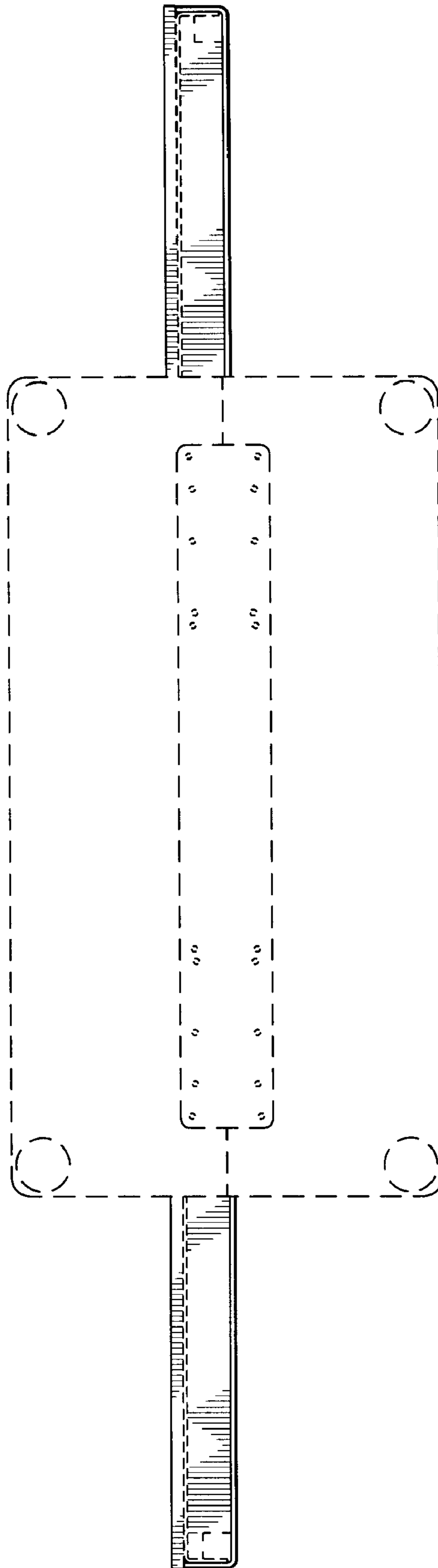
*Fig. 1*



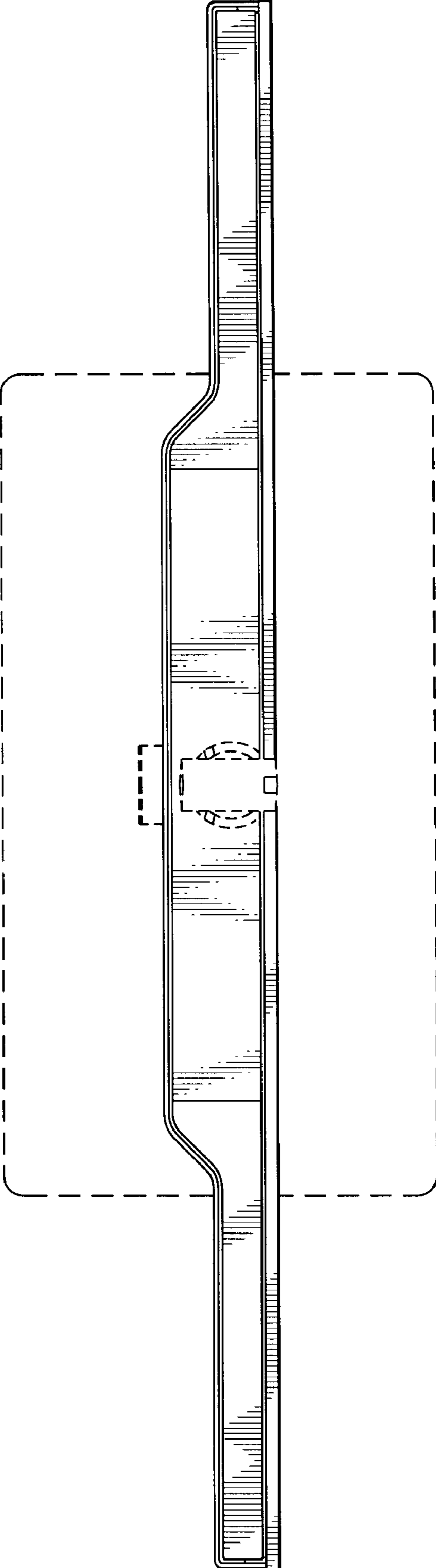
**Fig. 2**



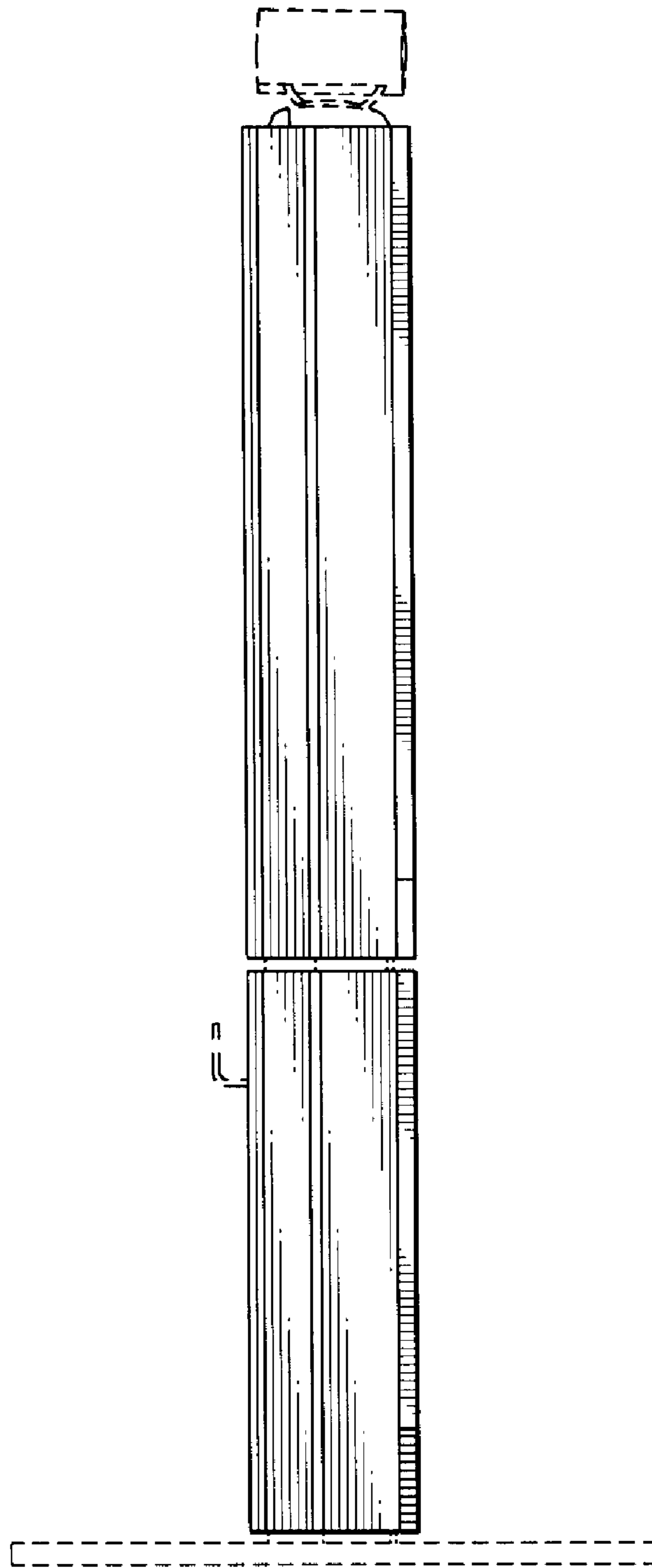
*Fig. 3*



**Fig. 4**



*Fig. 5*



*Fig. 6*