



US00D615052S

(12) **United States Design Patent**  
**Imai et al.**

(10) **Patent No.:** **US D615,052 S**  
(45) **Date of Patent:** **\*\* May 4, 2010**

(54) **LIGHT-EMITTING DIODE**  
(75) Inventors: **Sadato Imai**, Minamitsuru-gun (JP);  
**Maki Takehara**, Minamitsuru-gun (JP)  
(73) Assignee: **Citizen Electronics Co. Ltd.**, Yamanashi  
(JP)

D573,553 S 7/2008 Uemoto et al.  
D575,245 S \* 8/2008 Yen ..... D13/180  
D576,576 S 9/2008 Shida et al.  
D586,303 S \* 2/2009 Fuwa et al. .... D13/180  
D591,248 S \* 4/2009 Imai et al. .... D13/180  
D592,615 S \* 5/2009 Imai et al. .... D13/180  
7,635,875 B2 \* 12/2009 Niki et al. .... 257/98  
D607,420 S \* 1/2010 Imai et al. .... D13/180  
2004/0201987 A1 10/2004 Omata

(\*\*) Term: **14 Years**

\* cited by examiner

(21) Appl. No.: **29/346,110**

*Primary Examiner*—Selina Sikder

(22) Filed: **Oct. 27, 2009**

(74) *Attorney, Agent, or Firm*—Browdy and Neimark, PLLC

(51) **LOC (9) Cl.** ..... **13-03**  
(52) **U.S. Cl.** ..... **D13/180**  
(58) **Field of Classification Search** ..... D13/180;  
D26/2; 257/79, 80, 81, 88, 89, 95, 98, 99,  
257/100, E33.058; 313/483, 498, 500; 362/555,  
362/800

(57) **CLAIM**

The ornamental design for a light-emitting diode, as shown and described here.

See application file for complete search history.

**DESCRIPTION**

FIG. 1 is a perspective view of light-emitting diode in accordance with my new design;  
FIG. 2 is a front elevation view thereof;  
FIG. 3 is a rear elevation view thereof;  
FIG. 4 is a left side view thereof;  
FIG. 5 is a right side view thereof;  
FIG. 6 is a top plan view thereof; and,  
FIG. 7 is a bottom plain view thereof.

(56) **References Cited**

U.S. PATENT DOCUMENTS

6,885,034 B1 \* 4/2005 Schoenfeld ..... 257/98  
D505,661 S \* 5/2005 Suenaga ..... D13/180  
D515,043 S 2/2006 Ishizaka  
D517,026 S \* 3/2006 Suenaga ..... D13/180  
D524,260 S \* 7/2006 Ishizaka et al. .... D13/180  
D541,761 S 5/2007 Saito et al.  
D570,796 S 6/2008 Kim

**1 Claim, 5 Drawing Sheets**

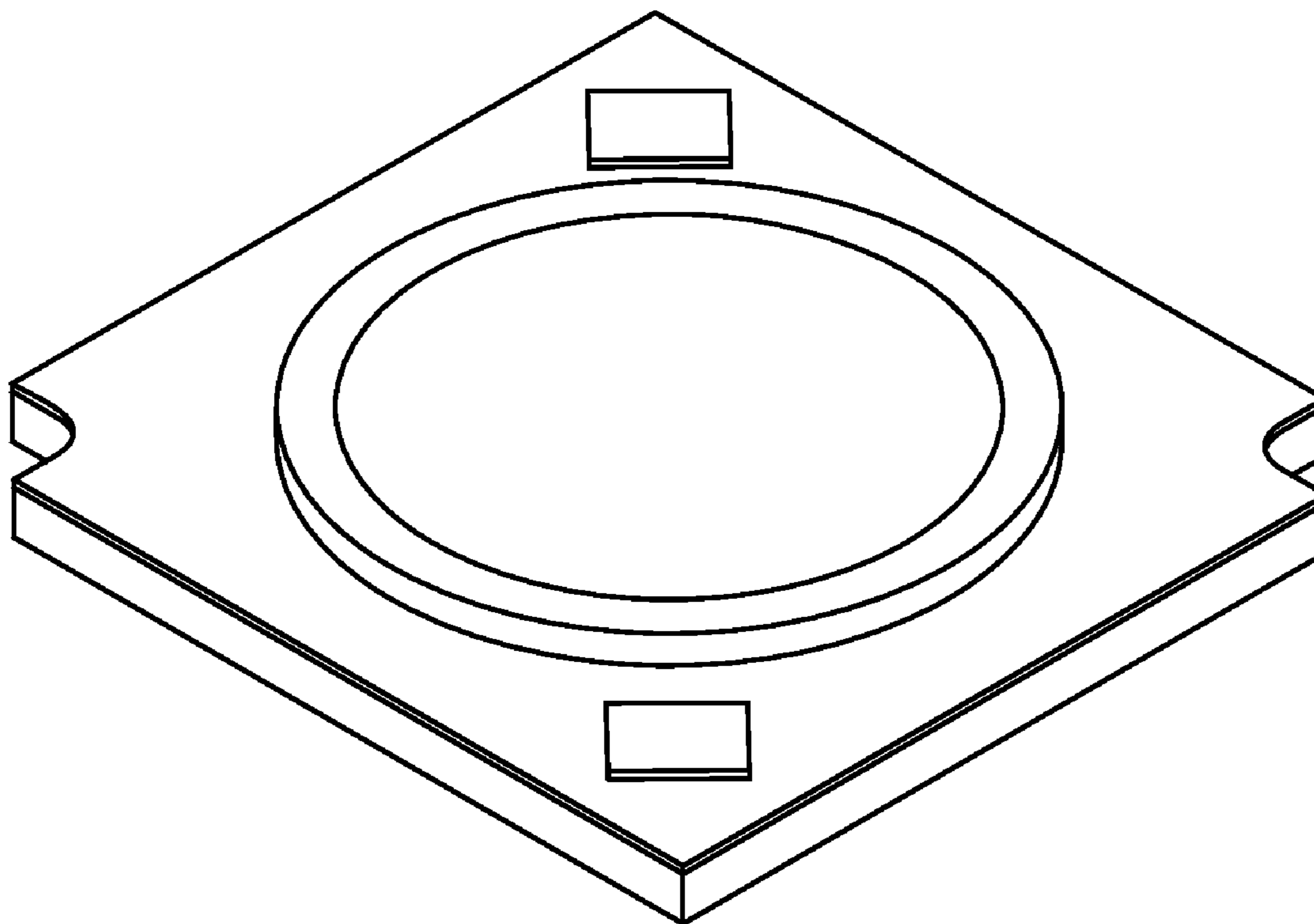


Fig. 1

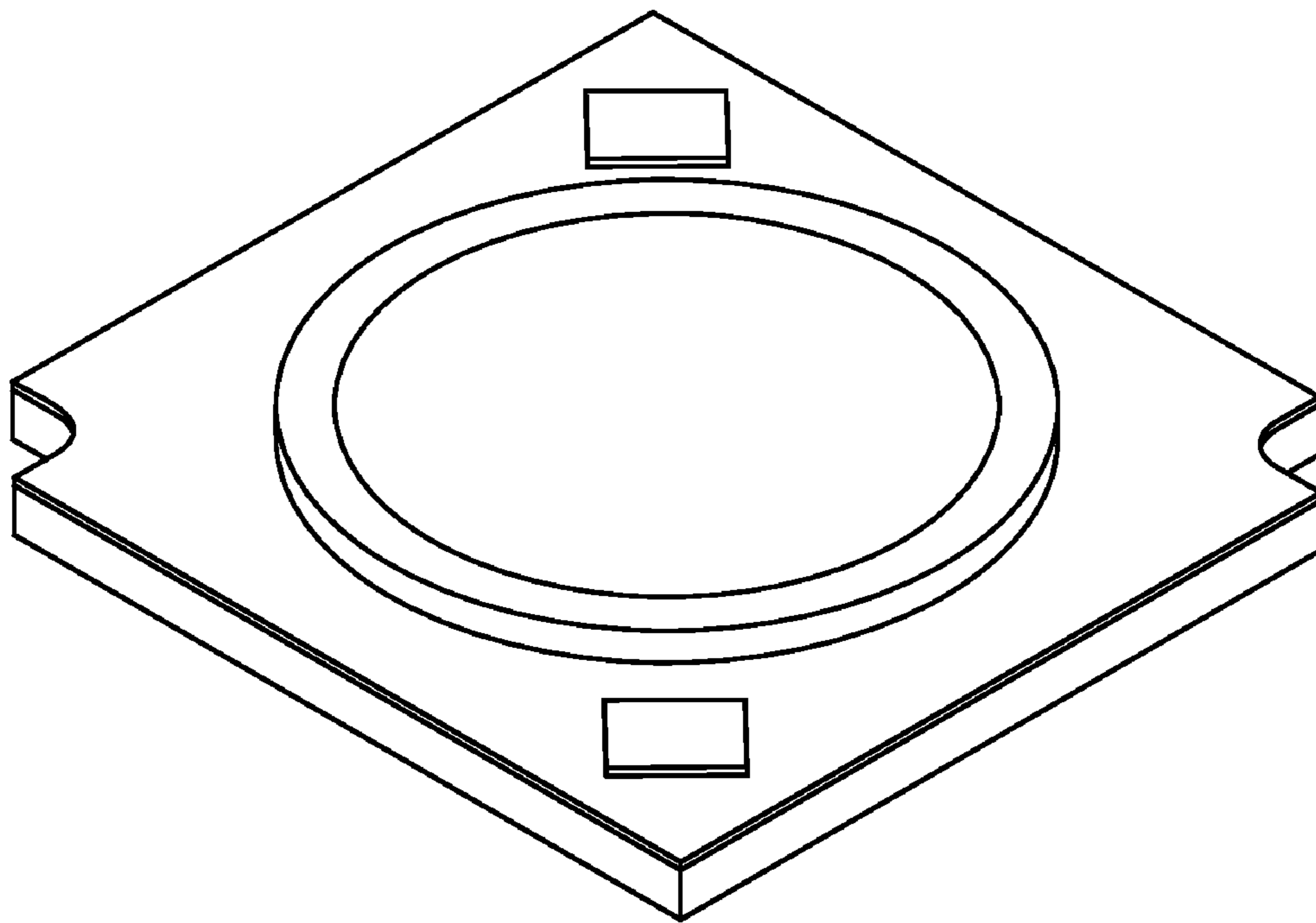


Fig. 2



Fig. 3



Fig. 4



Fig. 5

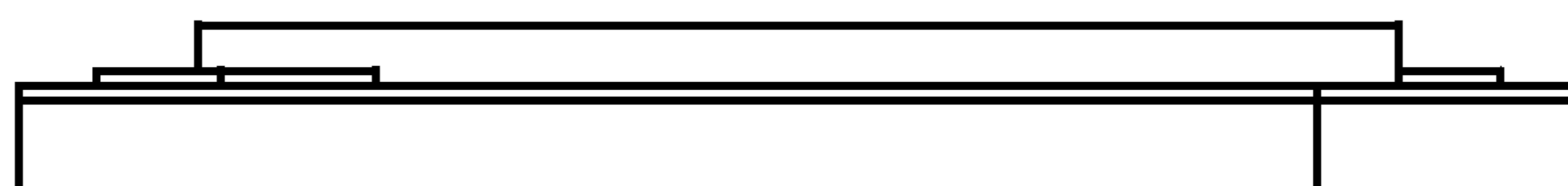


Fig. 6

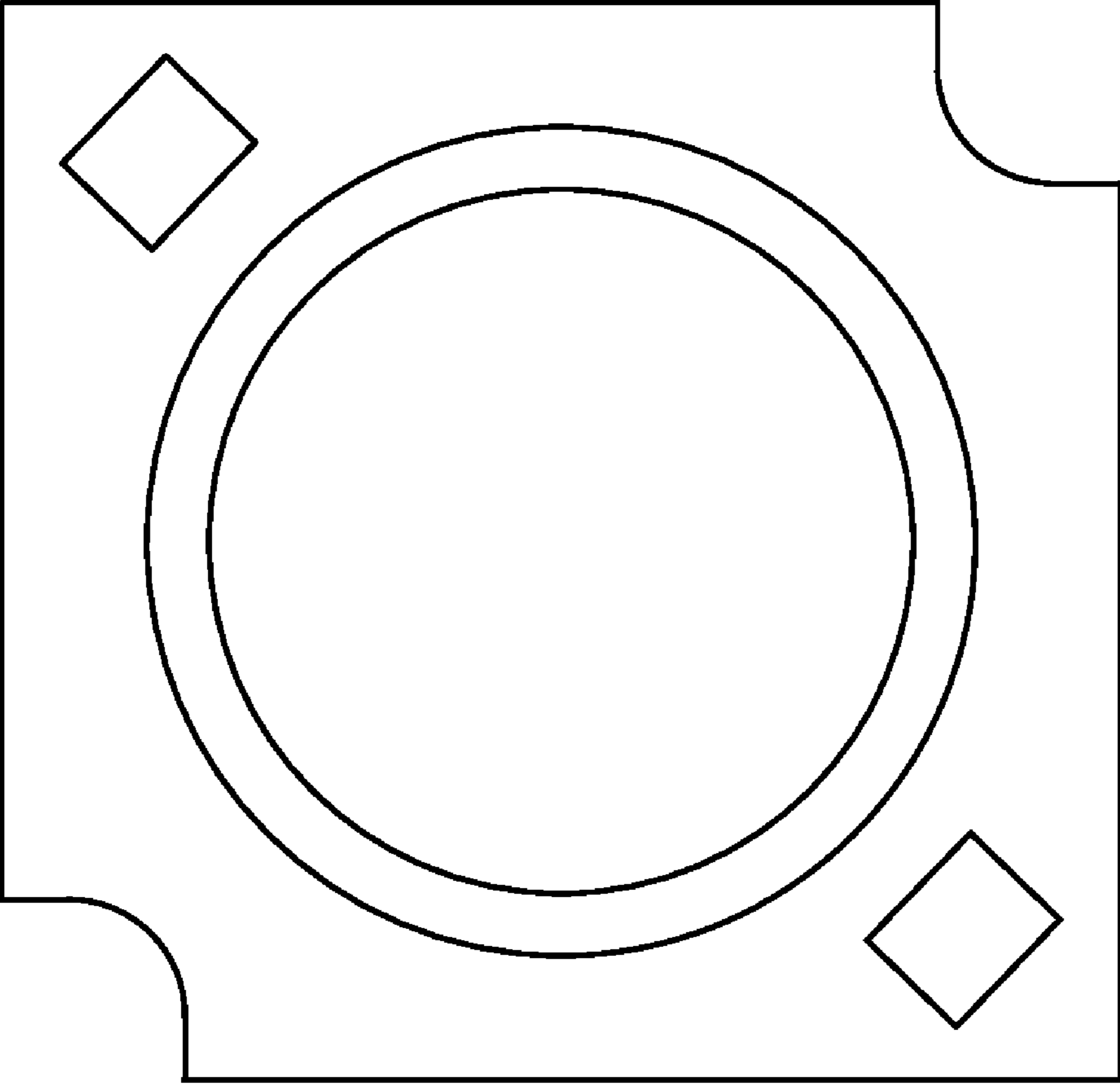
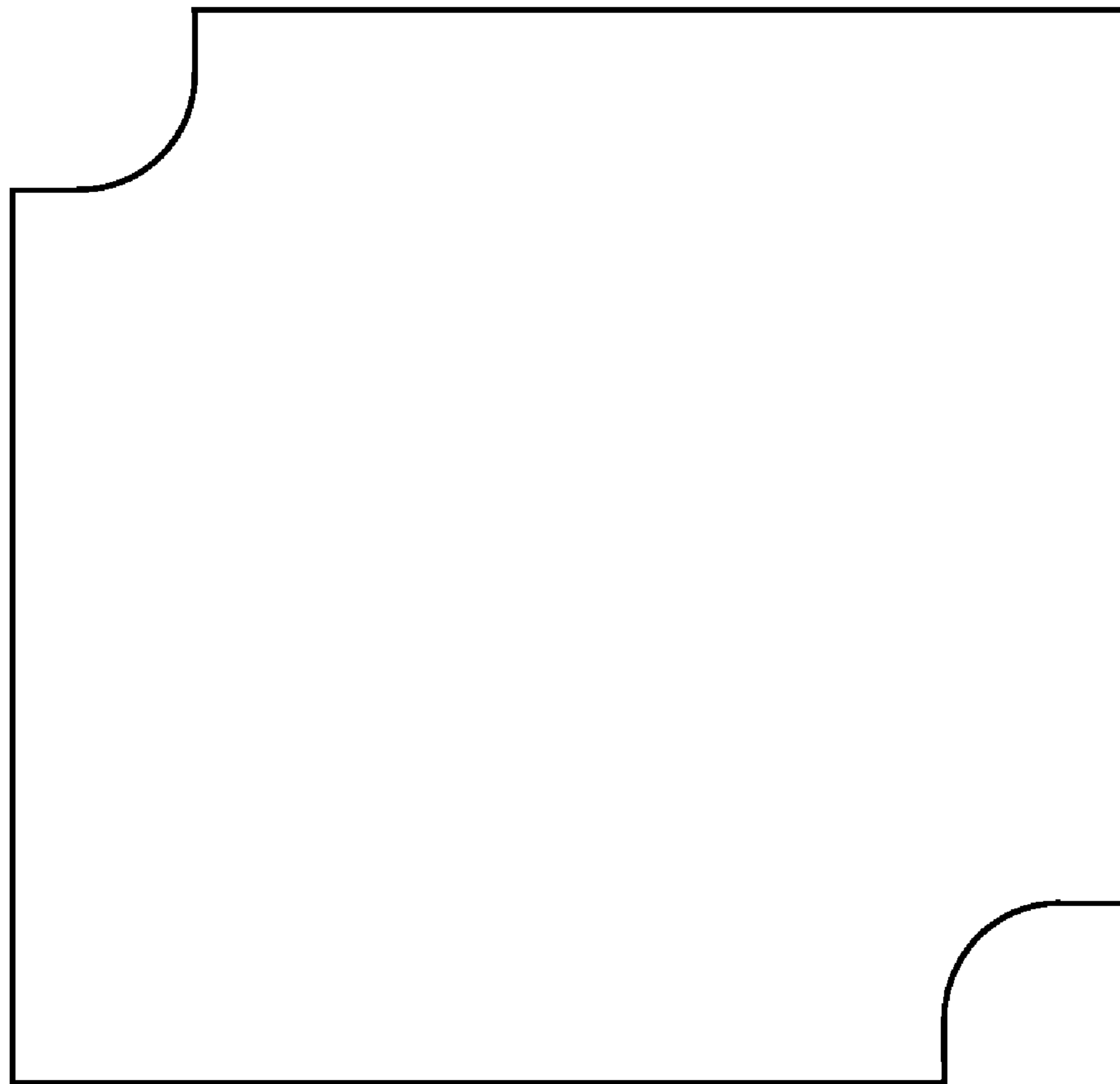


Fig. 7



UNITED STATES PATENT AND TRADEMARK OFFICE  
**CERTIFICATE OF CORRECTION**

PATENT NO. : Des. 615,052 S  
APPLICATION NO. : 29/346110  
DATED : May 4, 2010  
INVENTOR(S) : Sadato Imai et al.

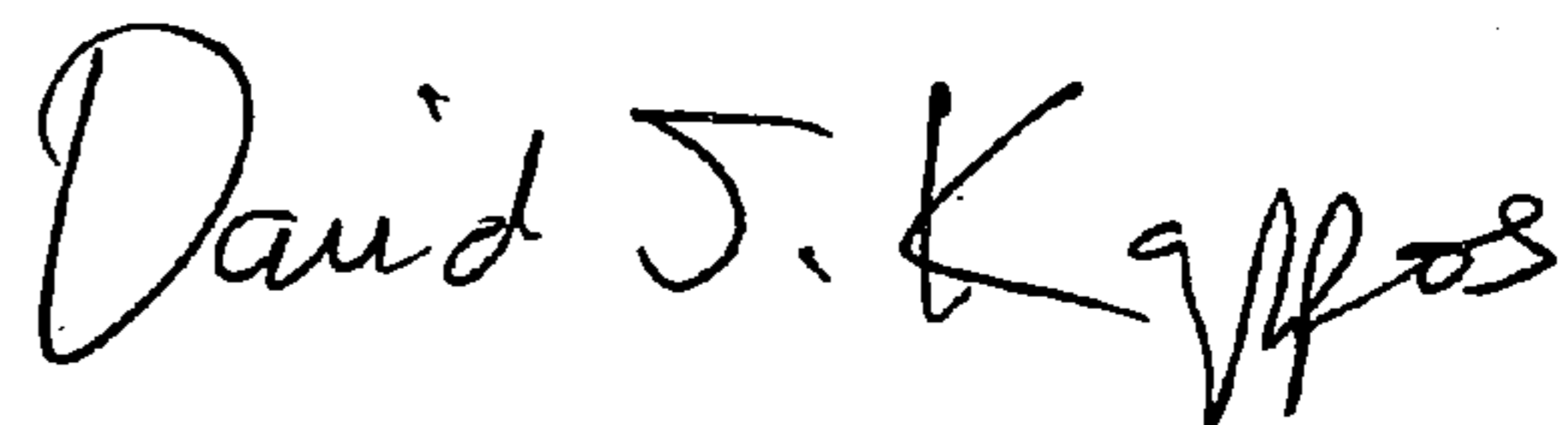
Page 1 of 1

It is certified that error appears in the above-identified patent and that said Letters Patent is hereby corrected as shown below:

Title page item (73) Assignee, correct the incorrectly spelled assignee name by deleting "CITIZEN ELECTRONICS CO. LTD" and insert --CITIZEN ELECTRONICS CO., LTD--.

Signed and Sealed this

Sixth Day of July, 2010

A handwritten signature in black ink that reads "David J. Kappos". The signature is written in a cursive style with a large initial 'D' and a stylized 'K'.

David J. Kappos  
*Director of the United States Patent and Trademark Office*