

US00D615051S

(12) **United States Design Patent**
Chen et al.

(10) **Patent No.:** **US D615,051 S**

(45) **Date of Patent:** **** May 4, 2010**

(54) **LED PACKAGE**

(75) Inventors: **Chen-Lun Hsing Chen**, Taoyuan Hsien (TW); **Jung-Hao Hung**, Taoyuan Hsien (TW); **Shih-Hsun Chung**, Taoyuan Hsien (TW); **Wen-Po Tao**, Taoyuan Hsien (TW)

(73) Assignee: **Prolight Opto Technology Corporation**, Taoyuan Hsien (TW)

(**) Term: **14 Years**

(21) Appl. No.: **29/336,523**

(22) Filed: **May 5, 2009**

(51) **LOC (9) Cl.** **13-03**

(52) **U.S. Cl.** **D13/180**

(58) **Field of Classification Search** D13/180;
D26/2; 257/79, 80, 81, 88, 89, 95, 98, 99,
257/100, E33.058; 313/483, 498, 500; 362/555,
362/800

See application file for complete search history.

(56) **References Cited**

U.S. PATENT DOCUMENTS

7,224,000 B2 * 5/2007 Aanegola et al. 257/98
7,262,438 B2 * 8/2007 Mok et al. 257/98

D572,670 S * 7/2008 Ono et al. D13/180
D573,554 S * 7/2008 Kobayakawa D13/180
D576,568 S * 9/2008 Chen et al. D13/180
2004/0126913 A1 * 7/2004 Loh 438/26
2006/0273338 A1 * 12/2006 Lee et al. 257/99

* cited by examiner

Primary Examiner—Selina Sikder

(57) **CLAIM**

An ornamental design for a LED package, as shown and described herein.

DESCRIPTION

FIG. 1 is a perspective view of an LED package bearing the design.

FIG. 2 is a top view of the LED package.

FIG. 3 is a front view of the LED package.

FIG. 4 is a rear view of the LED package.

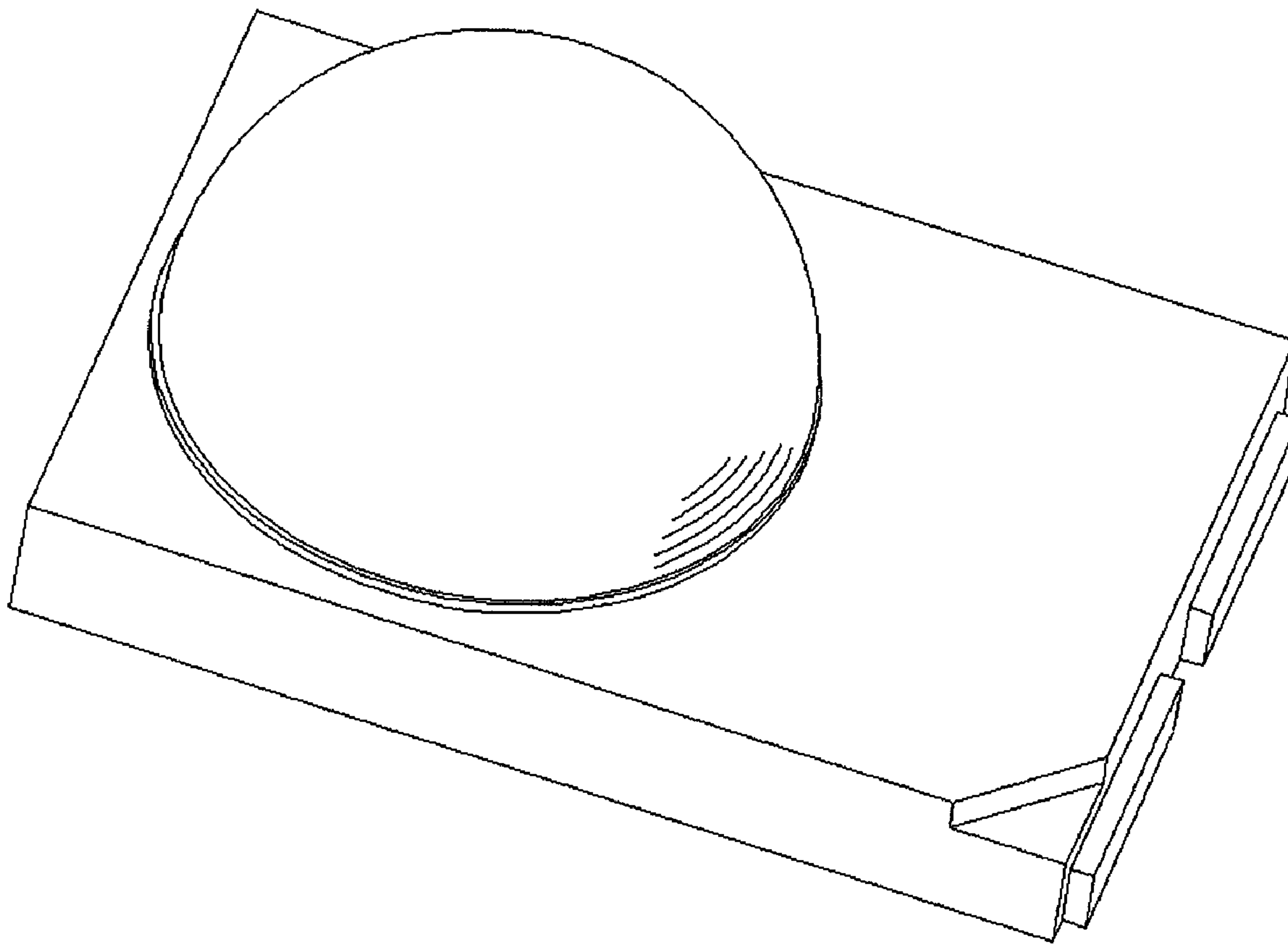
FIG. 5 is a bottom view of the LED package.

FIG. 6 is a left side view of the LED package; and,

FIG. 7 is a right side view of the LED package.

The structure shown as dome-shaped in FIGS. 1, 3, 4, 6, 7 is transparent.

1 Claim, 7 Drawing Sheets



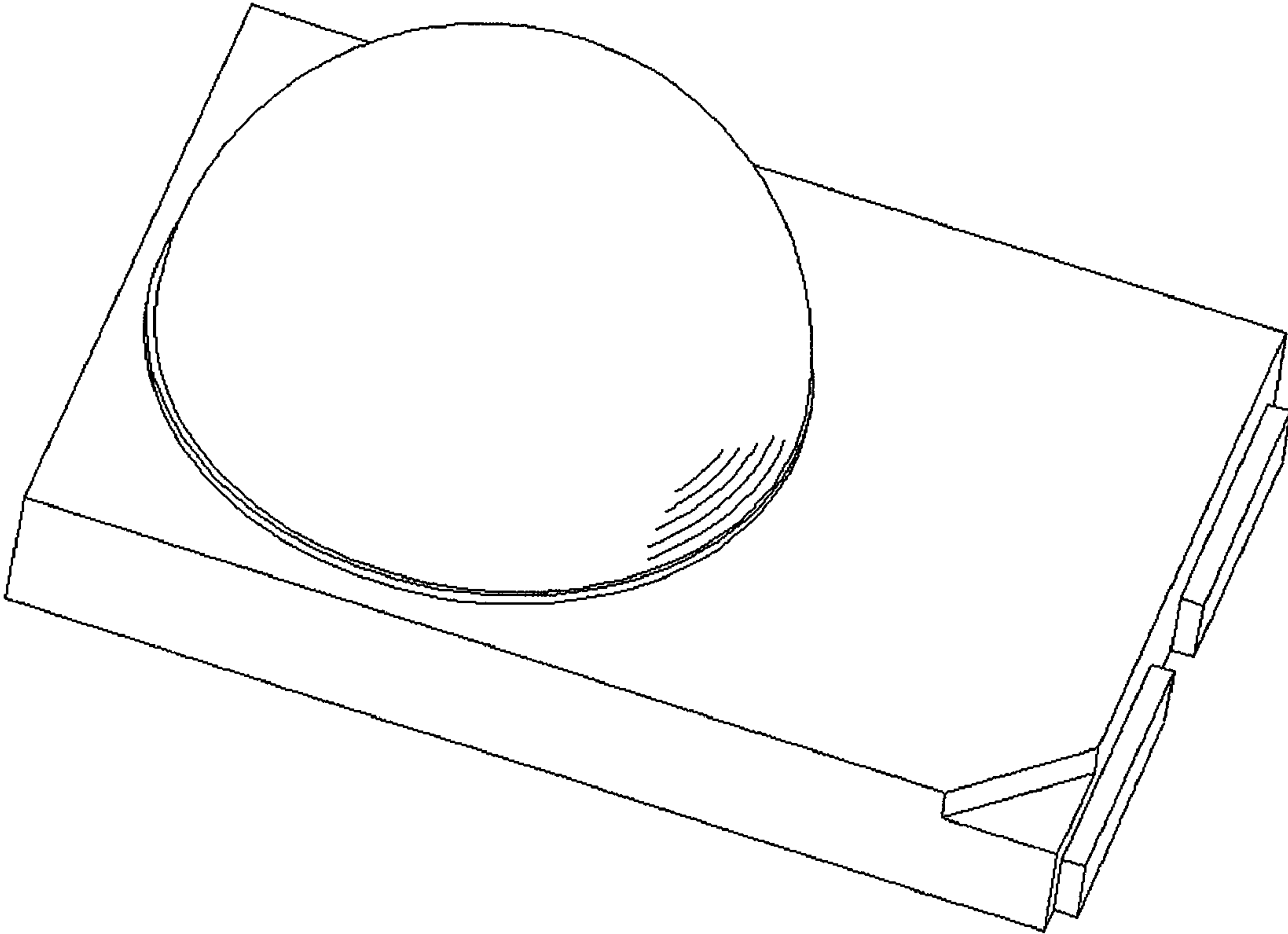


Fig. 1

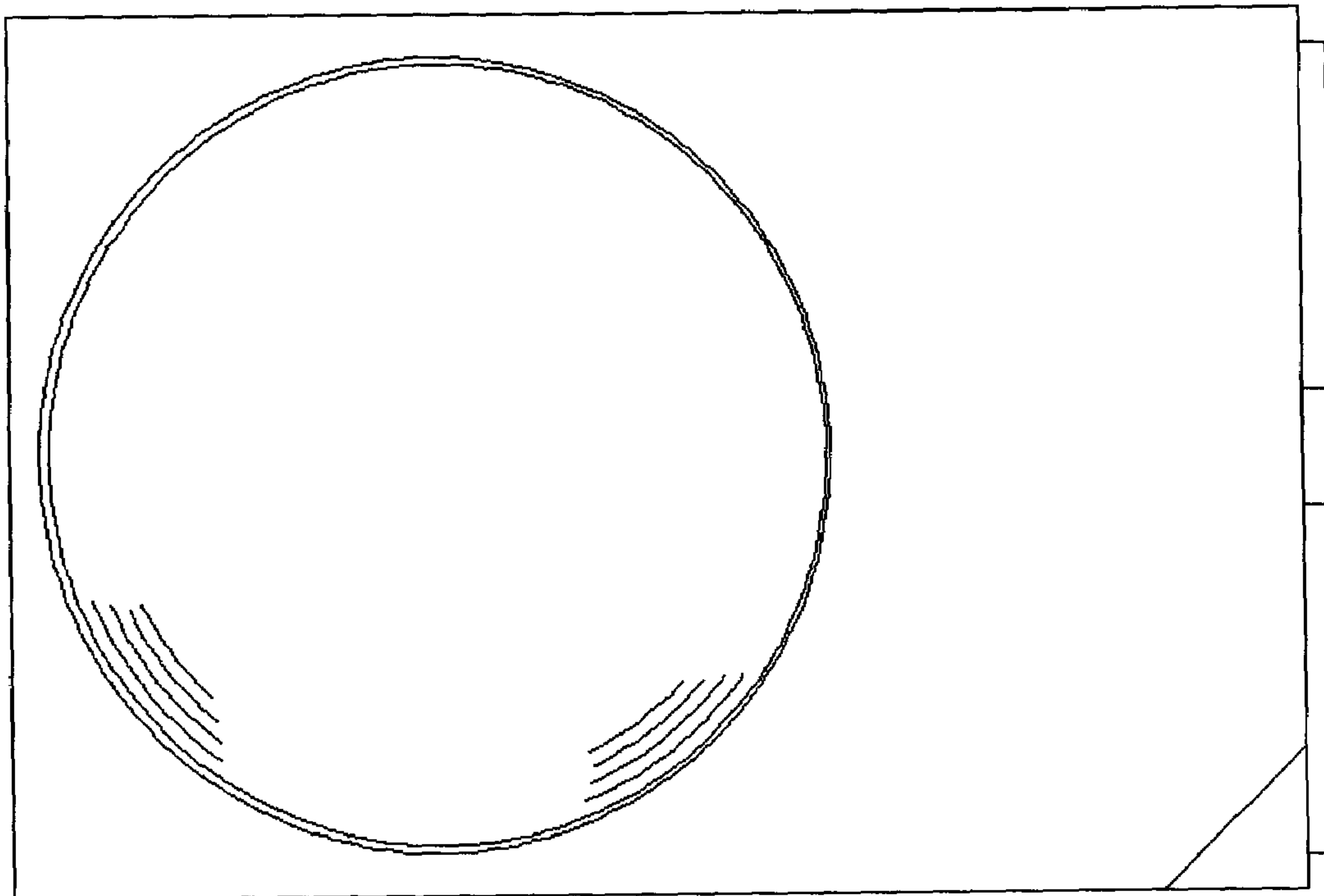


Fig. 2

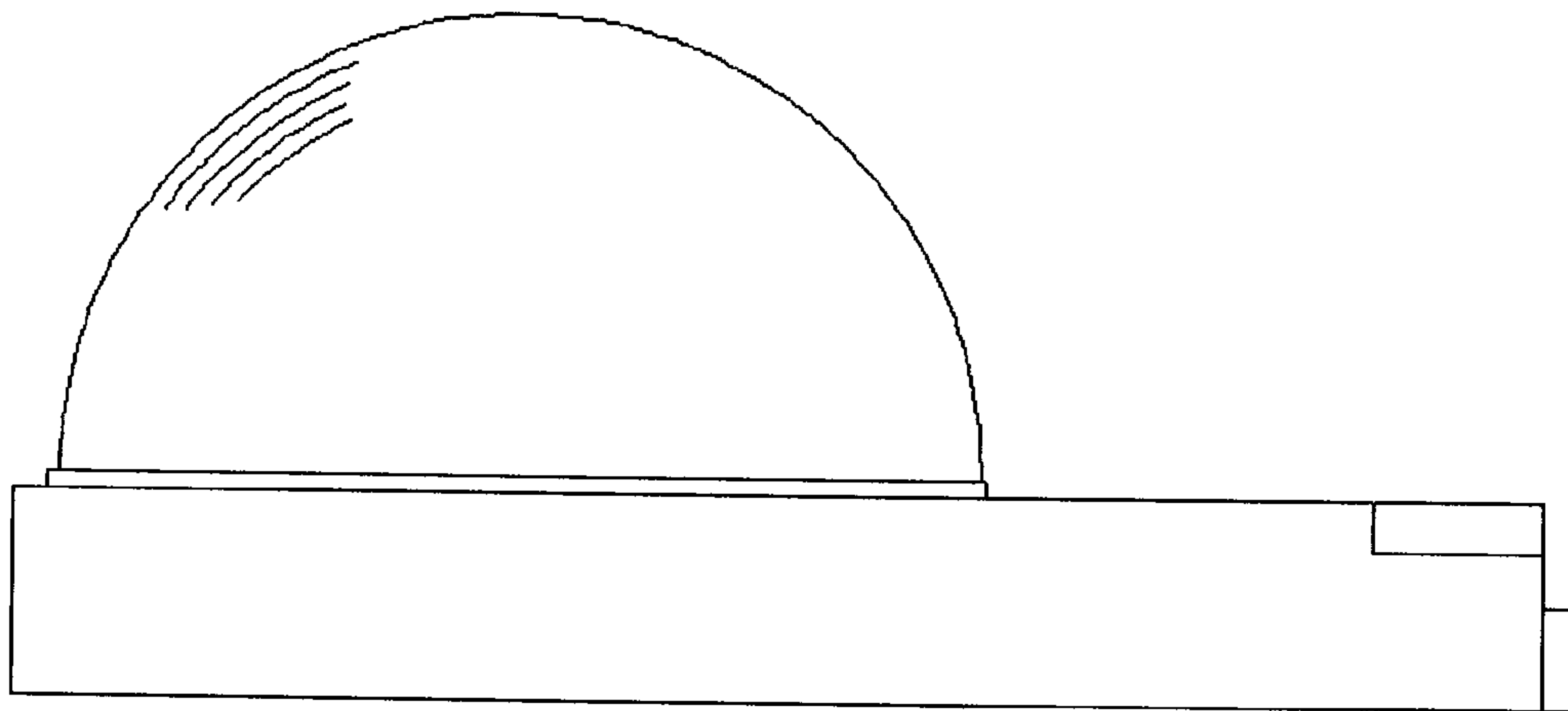


Fig. 3

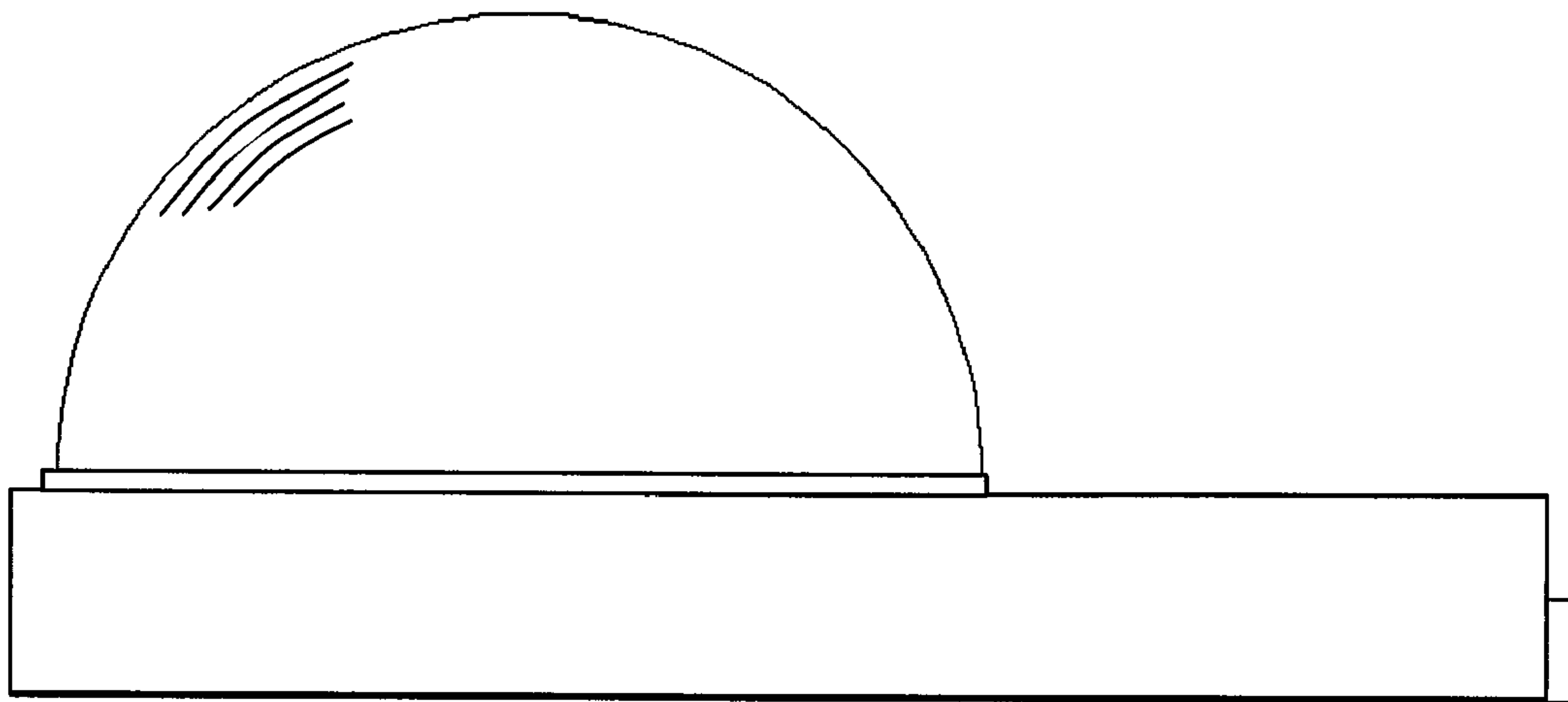


Fig. 4

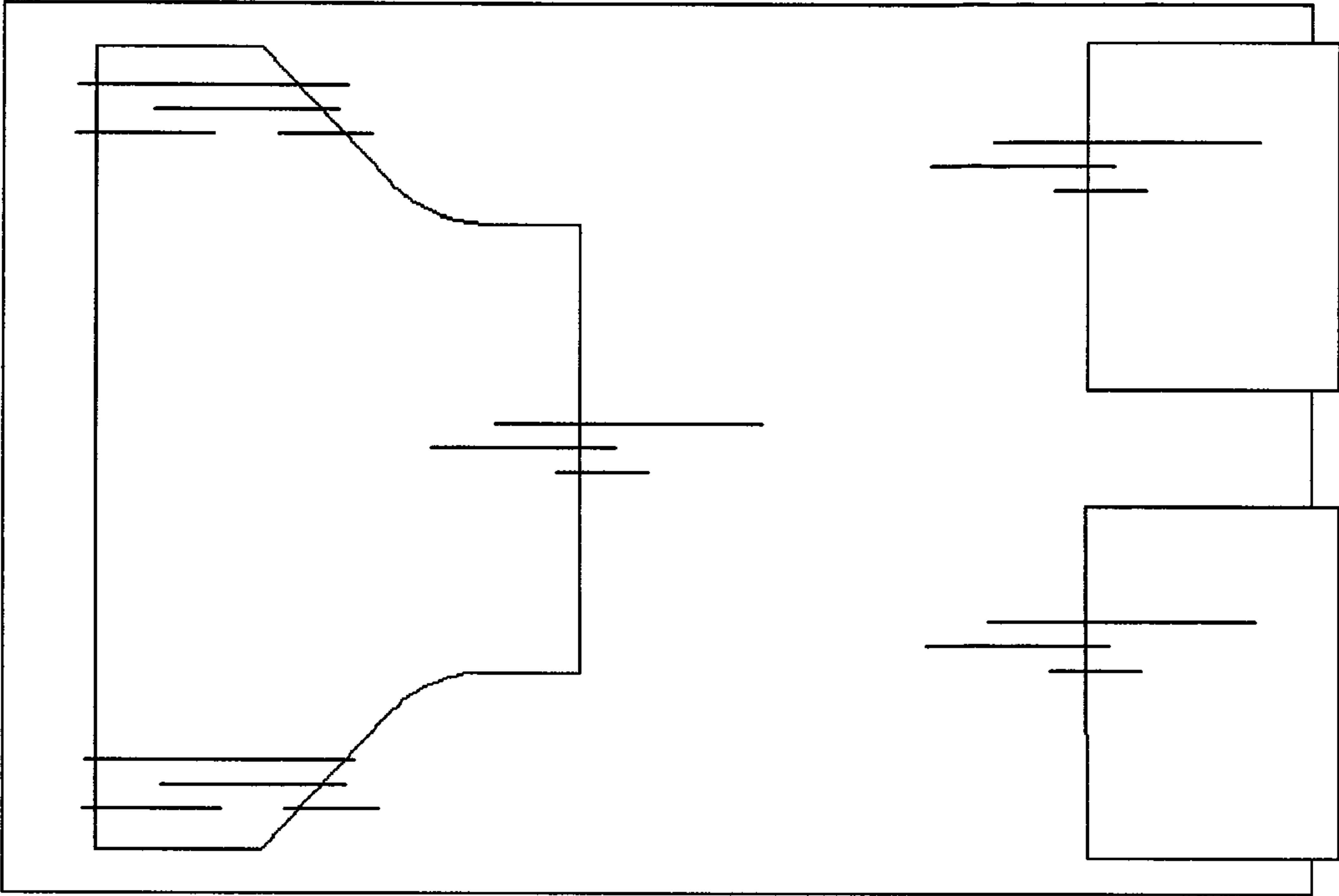


Fig. 5

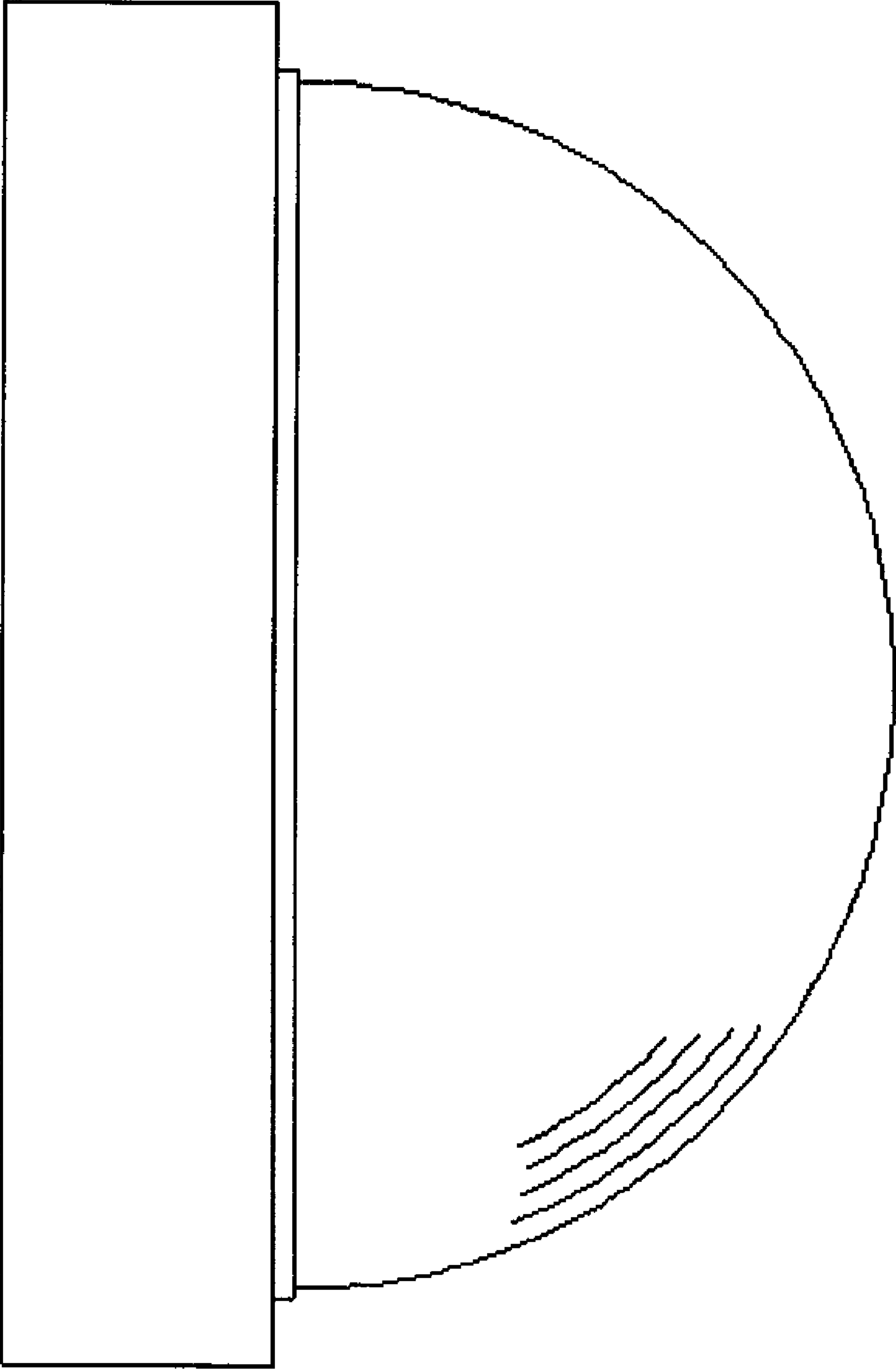


Fig. 6

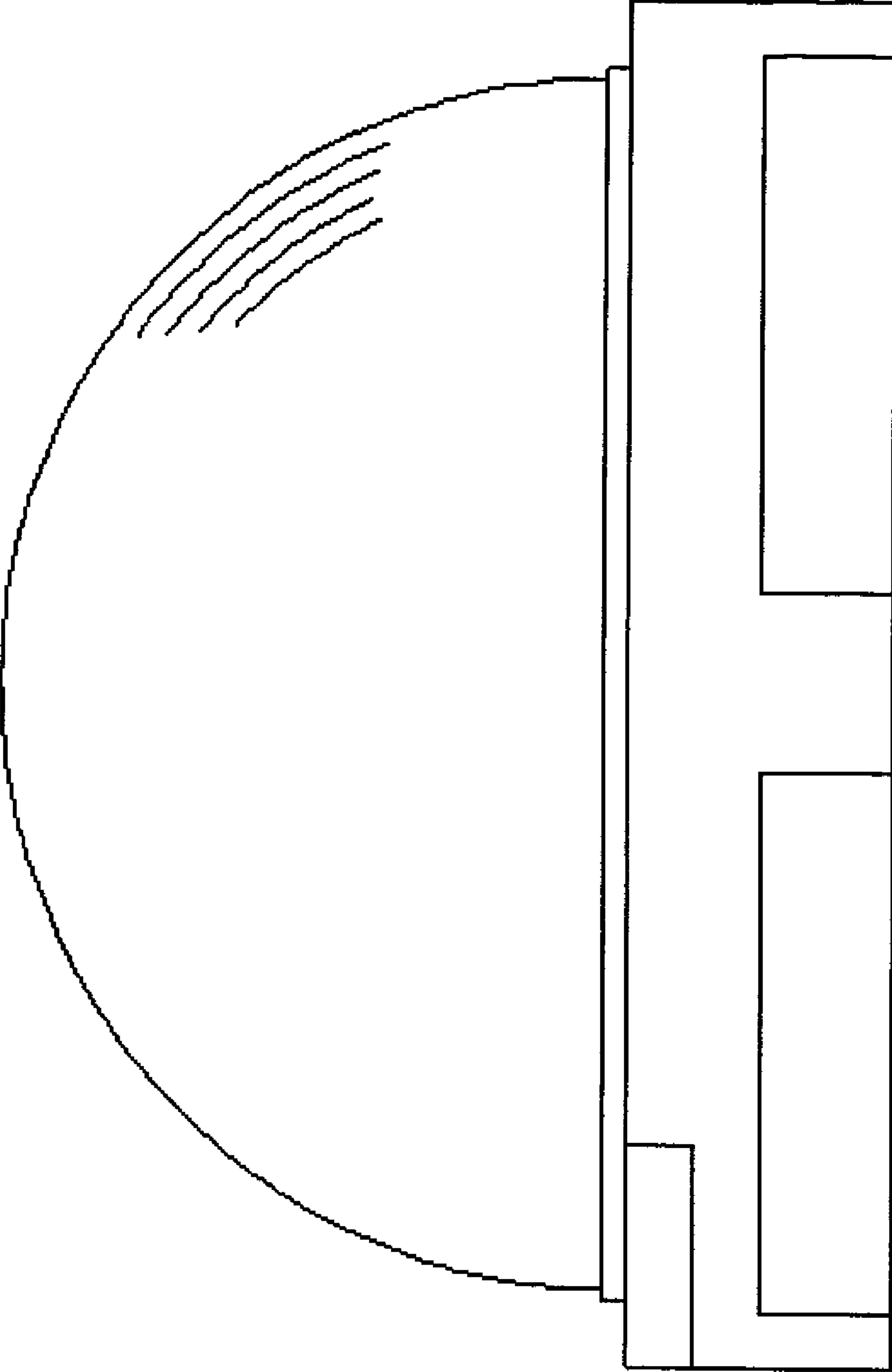


Fig. 7