



US00D615050S

(12) **United States Design Patent**
Christiansen

(10) **Patent No.:** **US D615,050 S**

(45) **Date of Patent:** **** May 4, 2010**

(54) **ENCODER/DECODER OF A REMOTE CONTROLLER FOR WATER IRRIGATION**

(75) Inventor: **Tom N. Christiansen**, Hørsholm (DK)

(73) Assignee: **S-Rain Control A/S**, Kvistgaard (DK)

(**) Term: **14 Years**

(21) Appl. No.: **29/338,106**

(22) Filed: **Jun. 4, 2009**

(30) **Foreign Application Priority Data**

Dec. 8, 2008 (EM) 001052526

(51) **LOC (9) Cl.** **13-03**

(52) **U.S. Cl.** **D13/173**

(58) **Field of Classification Search** D13/133,
D13/146, 147, 154, 168, 173, 174, 180, 184,
D13/199; 174/67; 220/242; 439/133, 142,
439/314, 318, 677, 680, 695

See application file for complete search history.

(56) **References Cited**

U.S. PATENT DOCUMENTS

D265,189	S *	6/1982	Eriksson et al.	D10/114
4,725,723	A *	2/1988	Shimajima	250/205
D470,066	S *	2/2003	Christiansen	D10/103
D543,942	S *	6/2007	Howard	D13/147
D560,610	S *	1/2008	McCoy	D13/146
D601,092	S *	9/2009	Rupp et al.	D13/147
D601,965	S *	10/2009	Rupp et al.	D13/147
2007/0061048	A1 *	3/2007	Lorenz	700/284
2007/0264857	A1 *	11/2007	Kearby et al.	439/301
2008/0150766	A1 *	6/2008	Wu	341/22

* cited by examiner

Primary Examiner—Daniel D Bui

Assistant Examiner—Thomas J Johannes

(74) *Attorney, Agent, or Firm*—Klein, O'Neill & Singh, LLP

(57) **CLAIM**

The ornamental design for an encoder/decoder of a remote controller for water irrigation, as shown and described.

DESCRIPTION

FIG. 1 is a bottom and side perspective view of an encoder/decoder of a remote controller for water irrigation, in accordance with a first embodiment my new design;

FIG. 2 is a top and side perspective view of the encoder/decoder of FIG. 1;

FIG. 3 is a side elevational view of the encoder/decoder of FIG. 1;

FIG. 4 is a side elevational view of the encoder/decoder of FIG. 1, rotated 90 degrees from the view shown in FIG. 3;

FIG. 5 is a top plan view of the encoder/decoder of FIG. 1;

FIG. 6 is a bottom plan view of the encoder/decoder of FIG. 1;

FIG. 7 is a bottom and side perspective view of an encoder/decoder of a remote controller for water irrigation, in accordance with a second embodiment my new design;

FIG. 8 is a top and side perspective view of the encoder/decoder of FIG. 7;

FIG. 9 is a side elevational view of the encoder/decoder of FIG. 7;

FIG. 10 is a side elevational view of the encoder/decoder of FIG. 7, rotated 90 degrees from the view shown in FIG. 9;

FIG. 11 is a top plan view of the encoder/decoder of FIG. 7; and,

FIG. 12 is a bottom plan view of the encoder/decoder of FIG. 7.

1 Claim, 4 Drawing Sheets

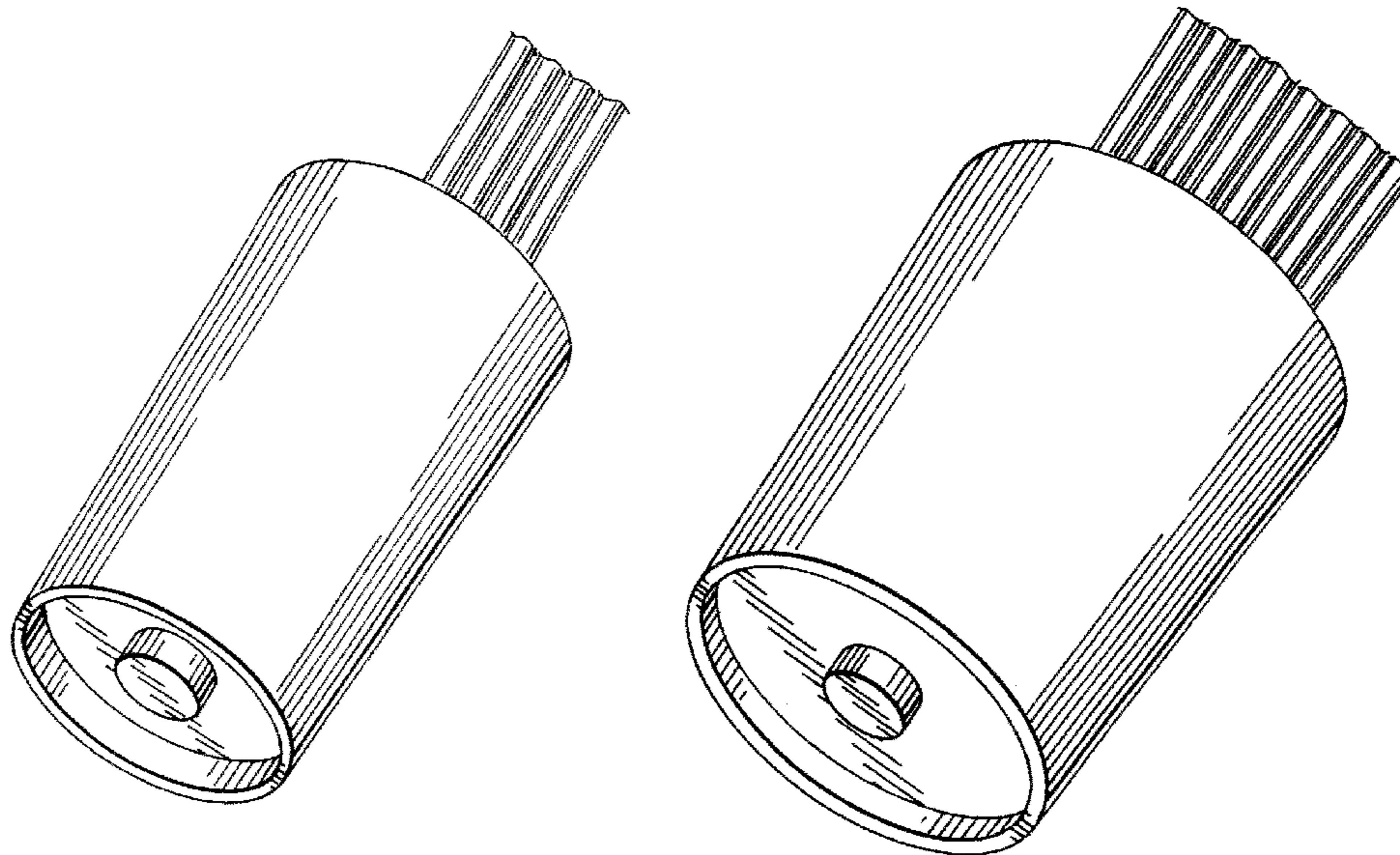


FIG. 1

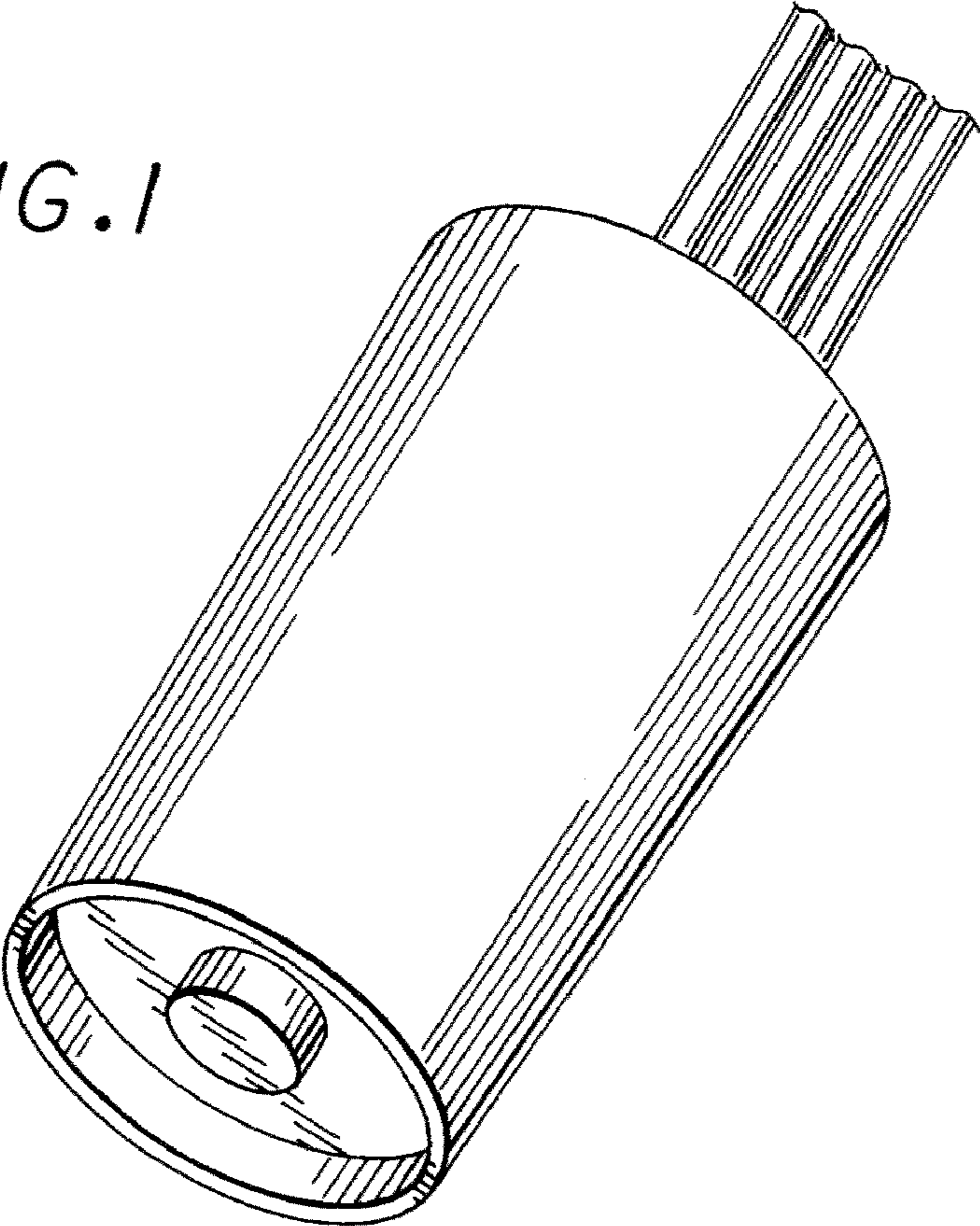


FIG. 2

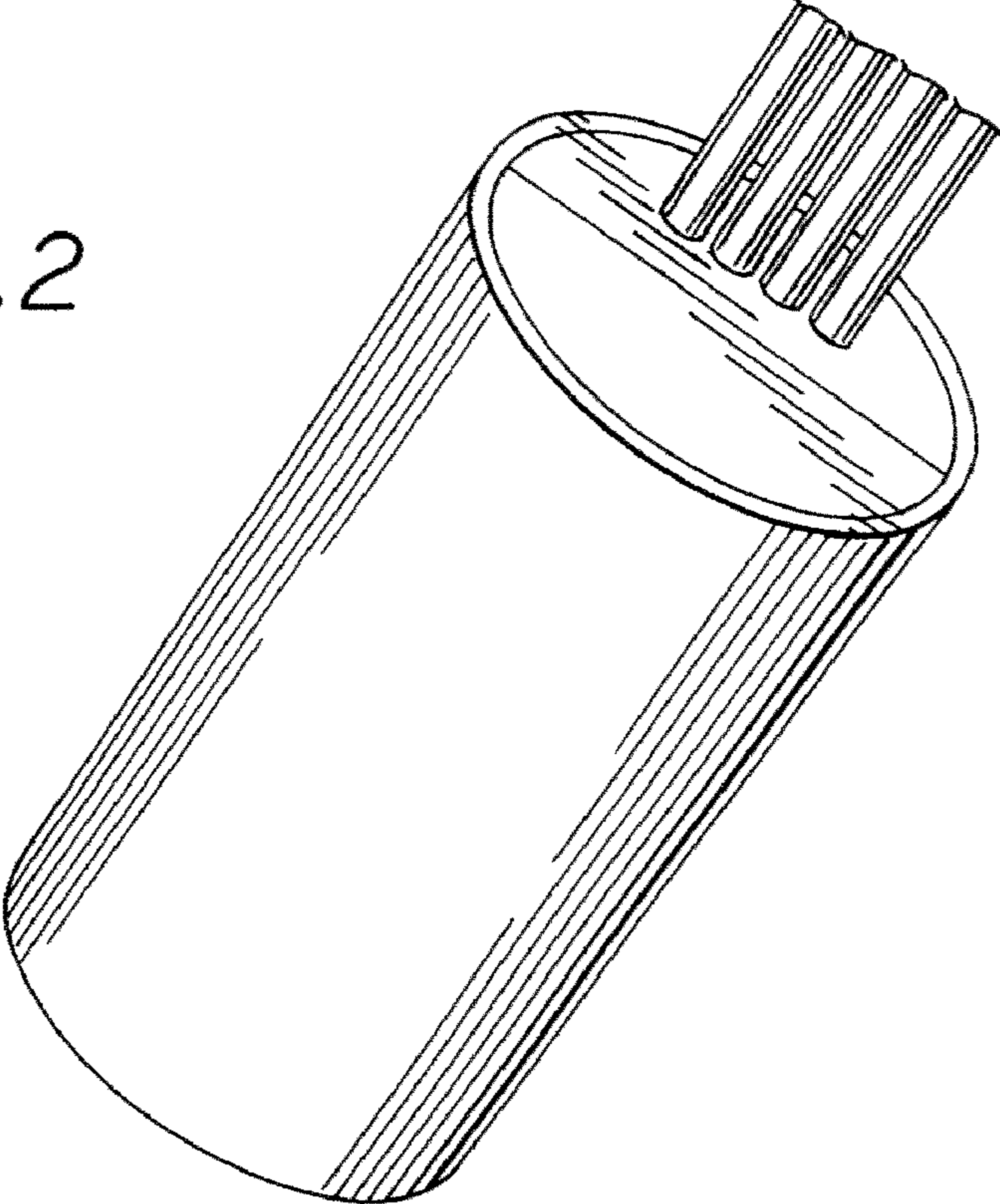


FIG. 3

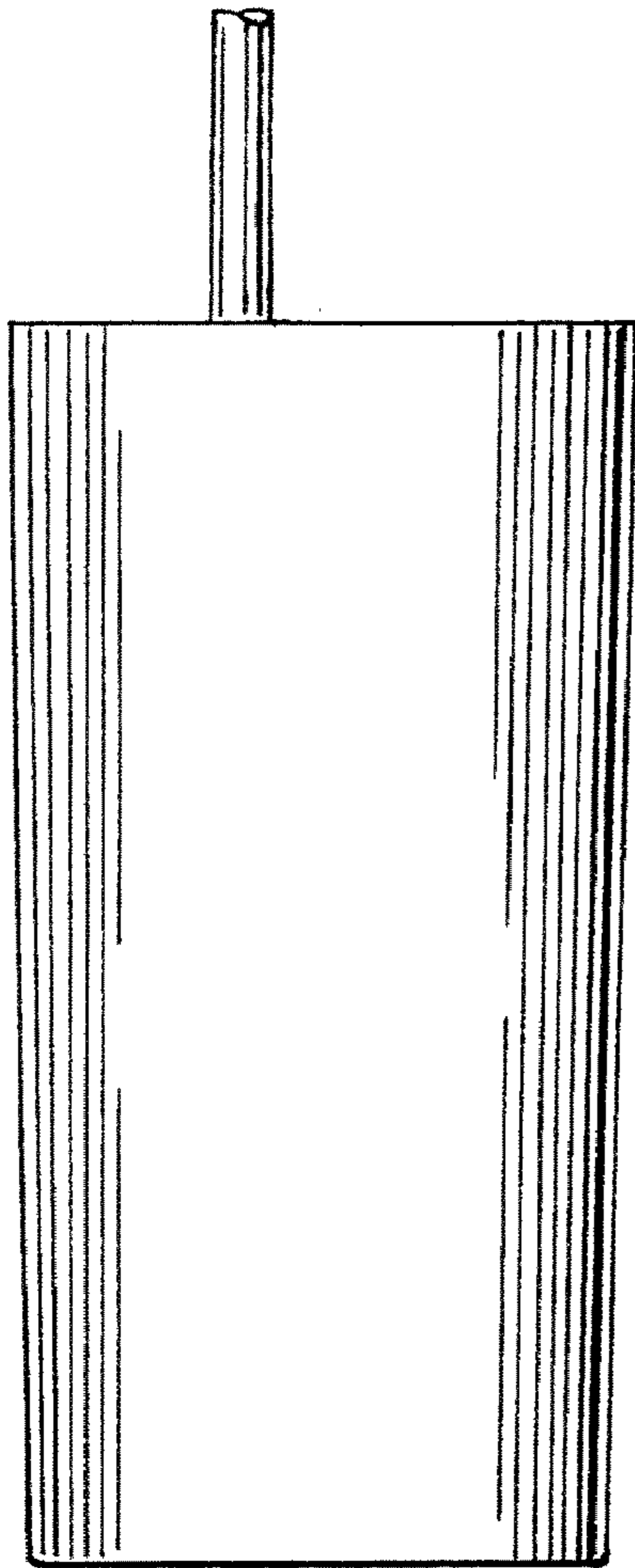


FIG. 4

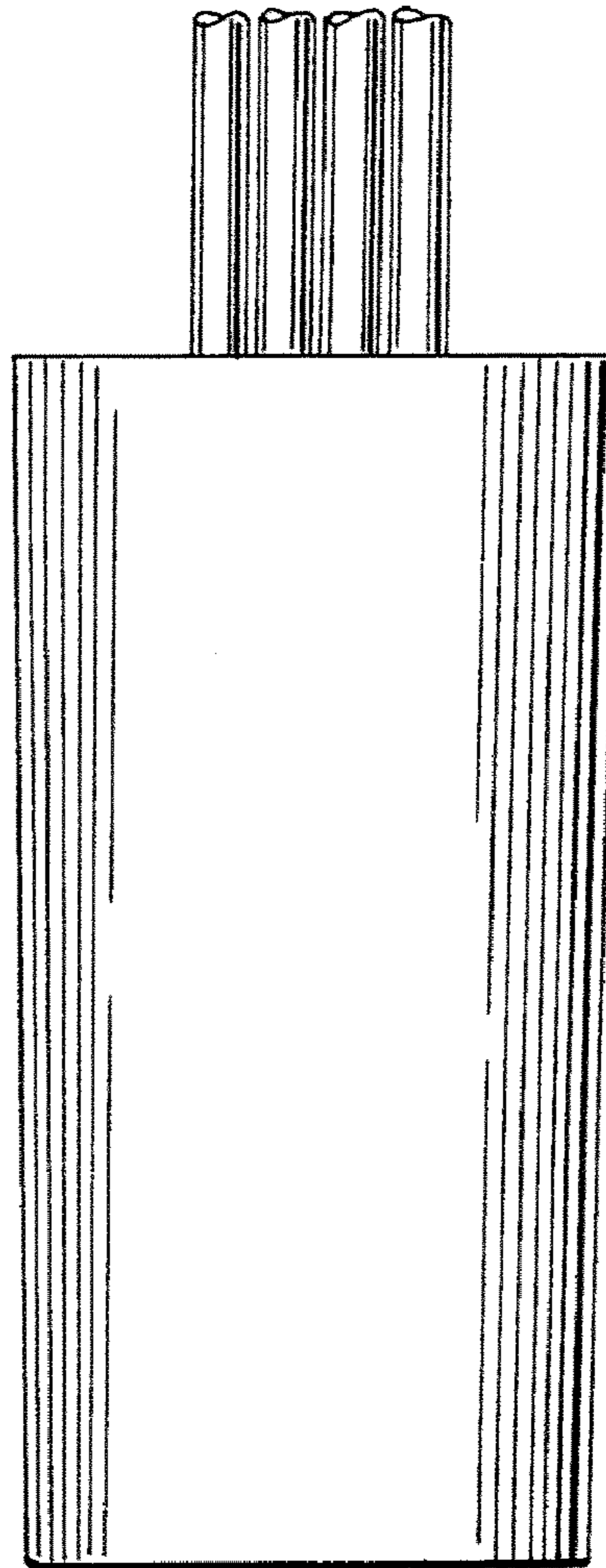


FIG. 5

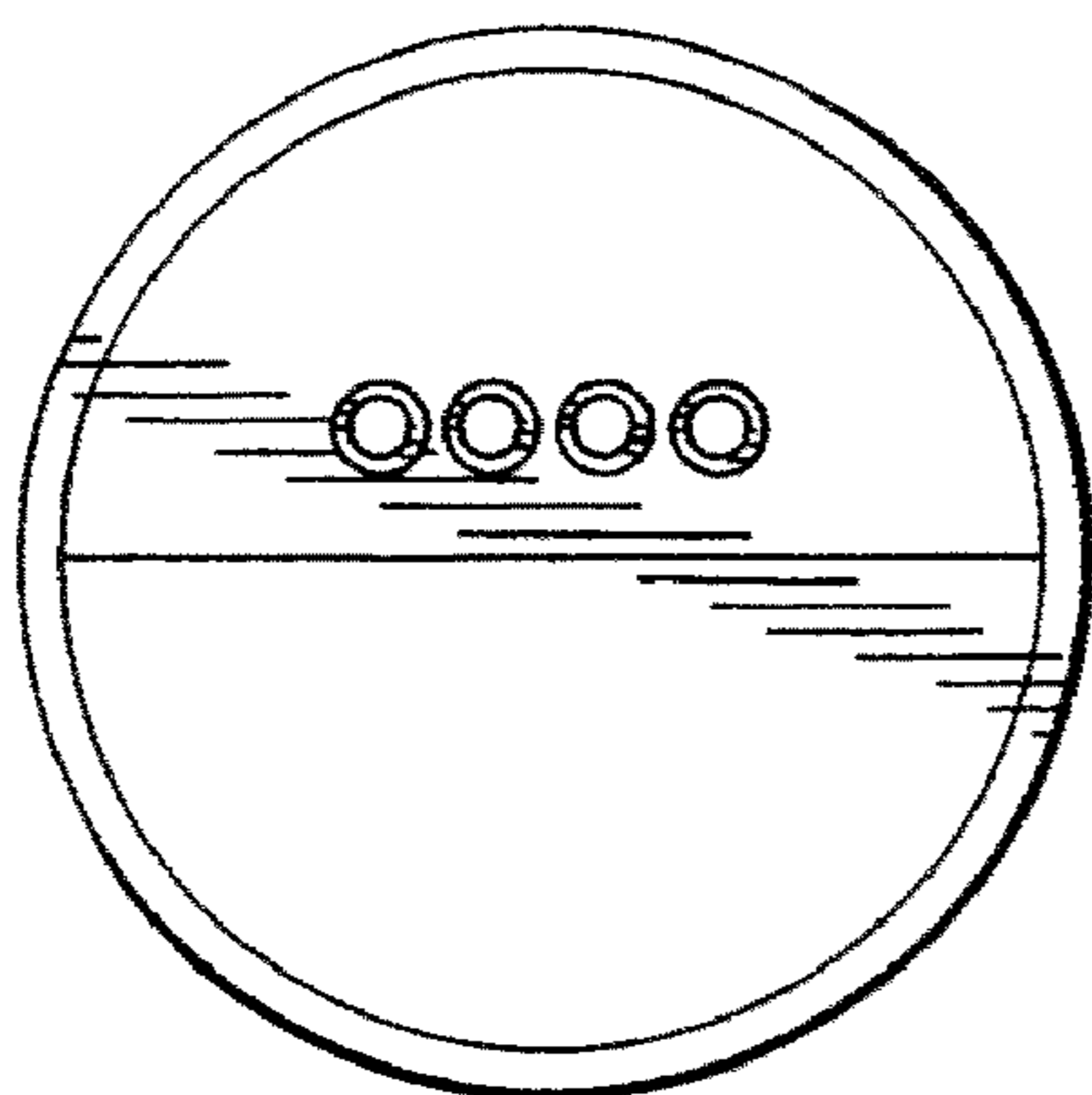


FIG. 6

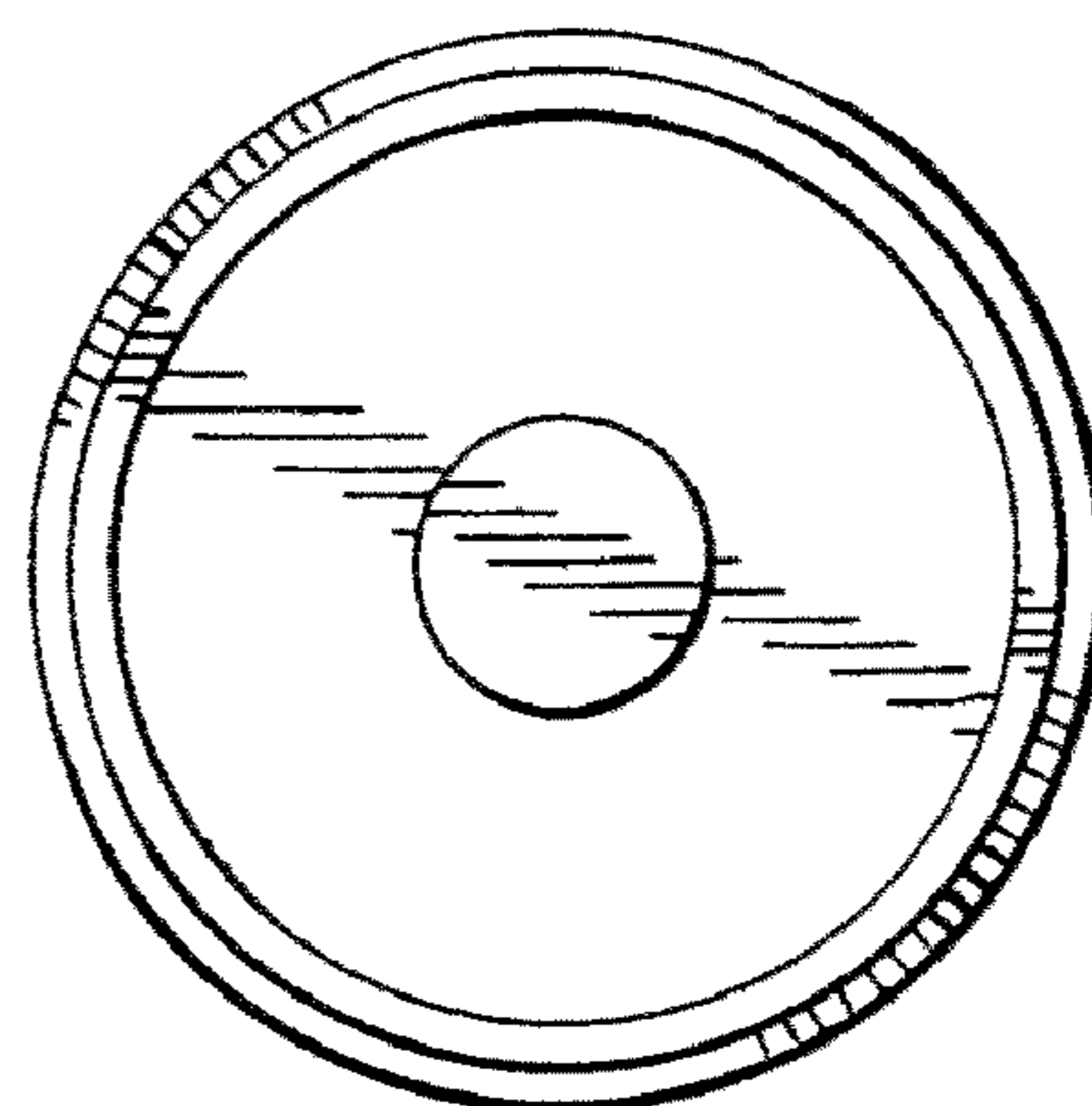


FIG. 7

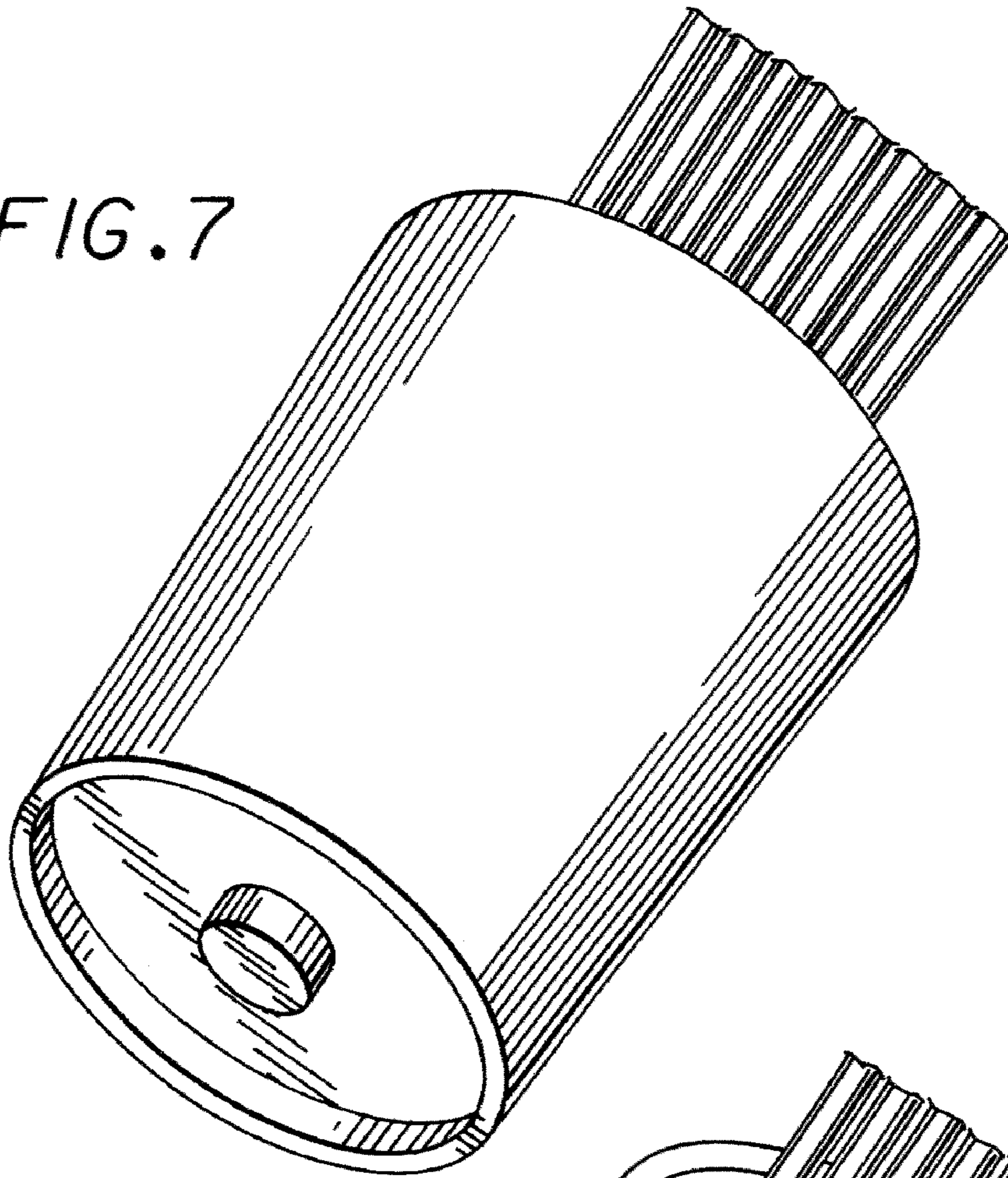


FIG. 8

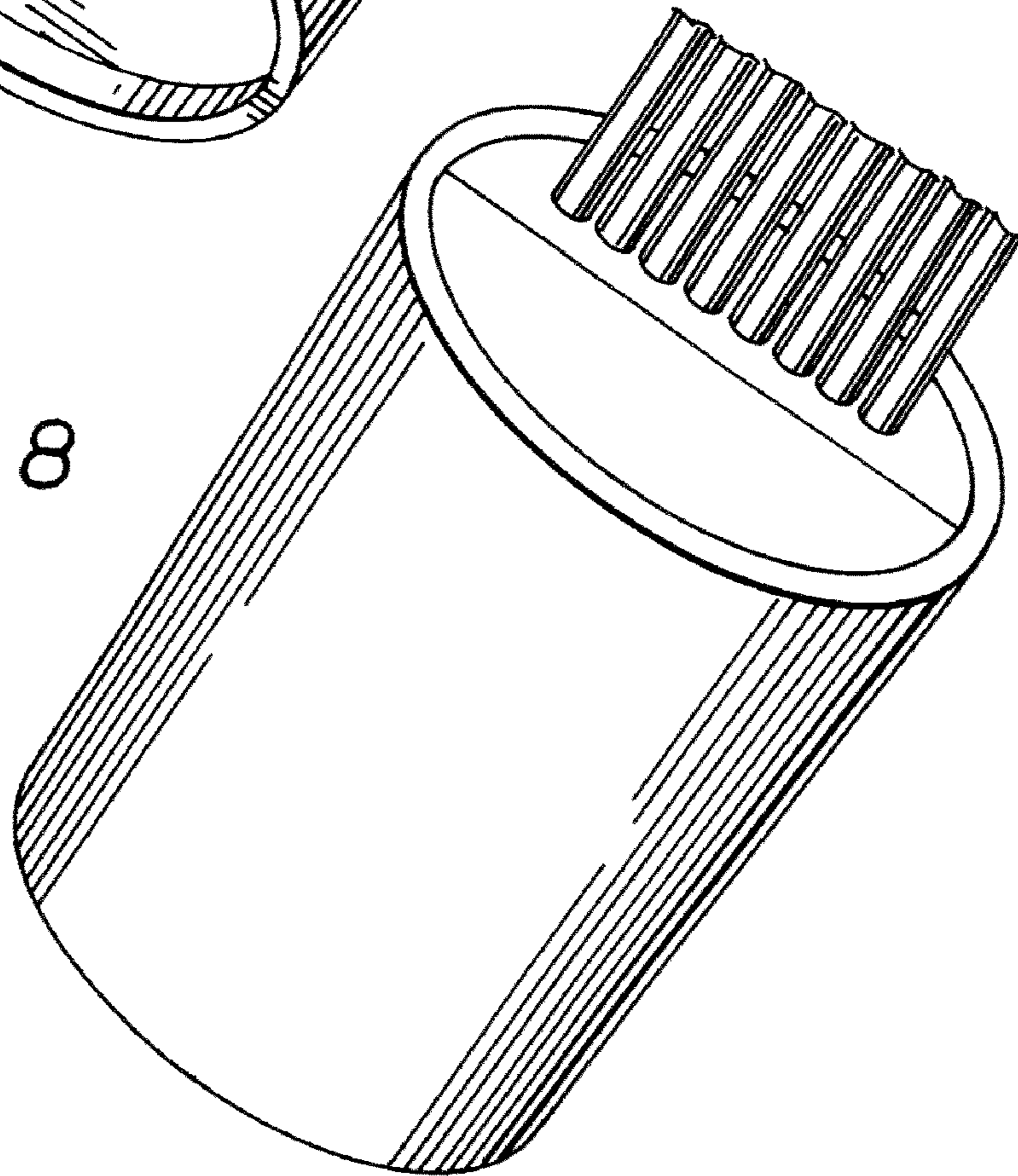


FIG. 9

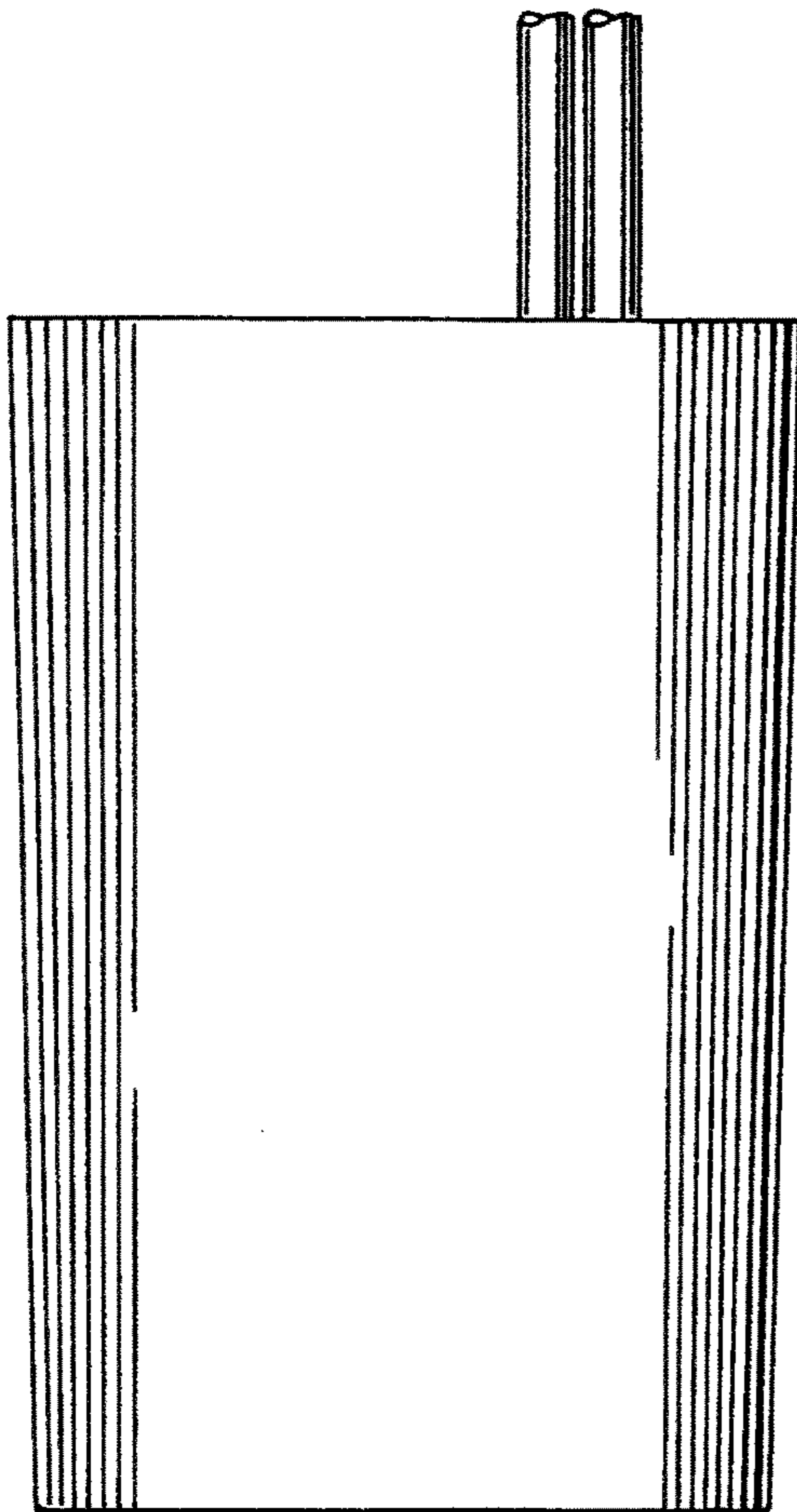


FIG. 10

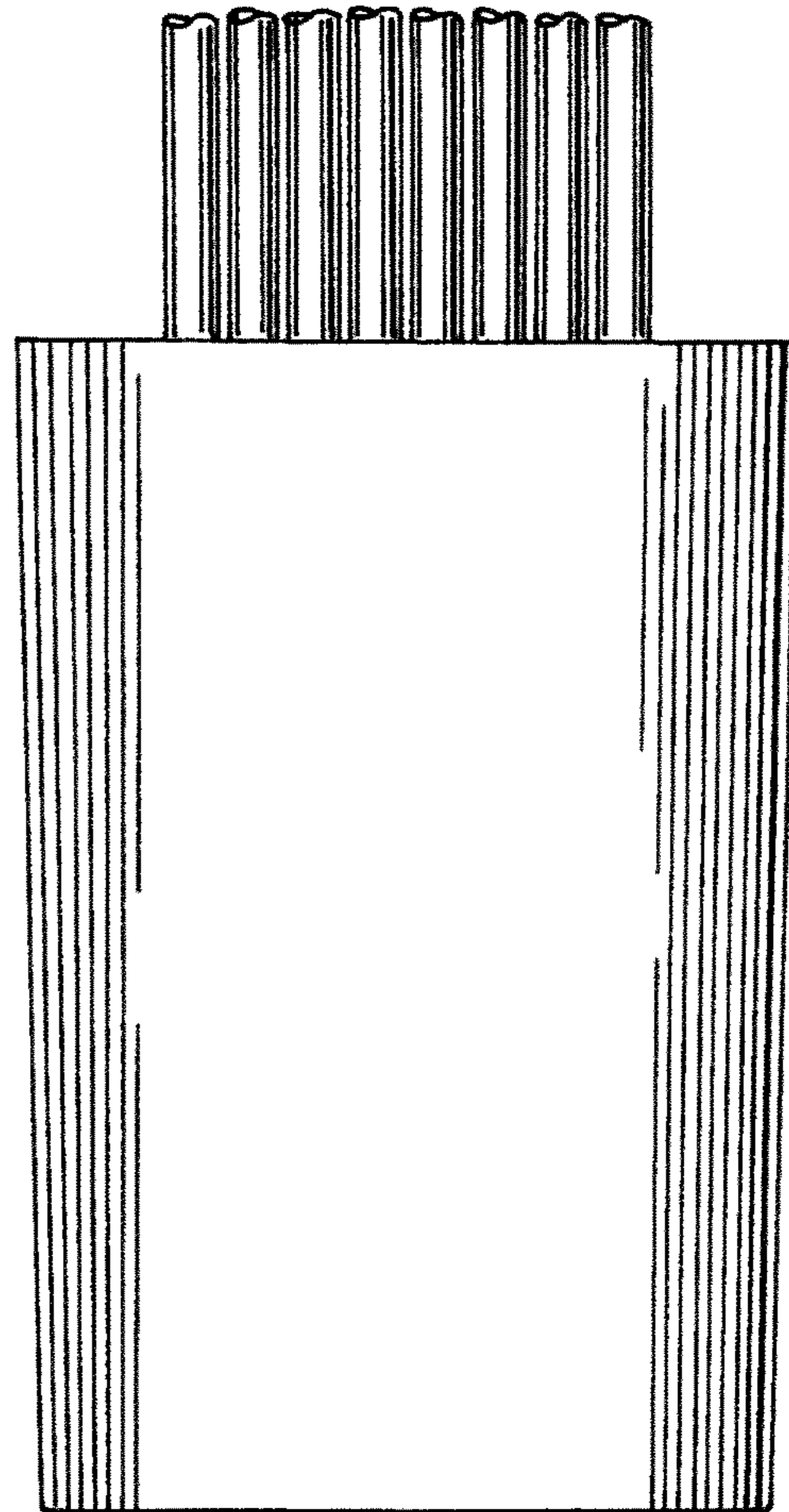


FIG. 11

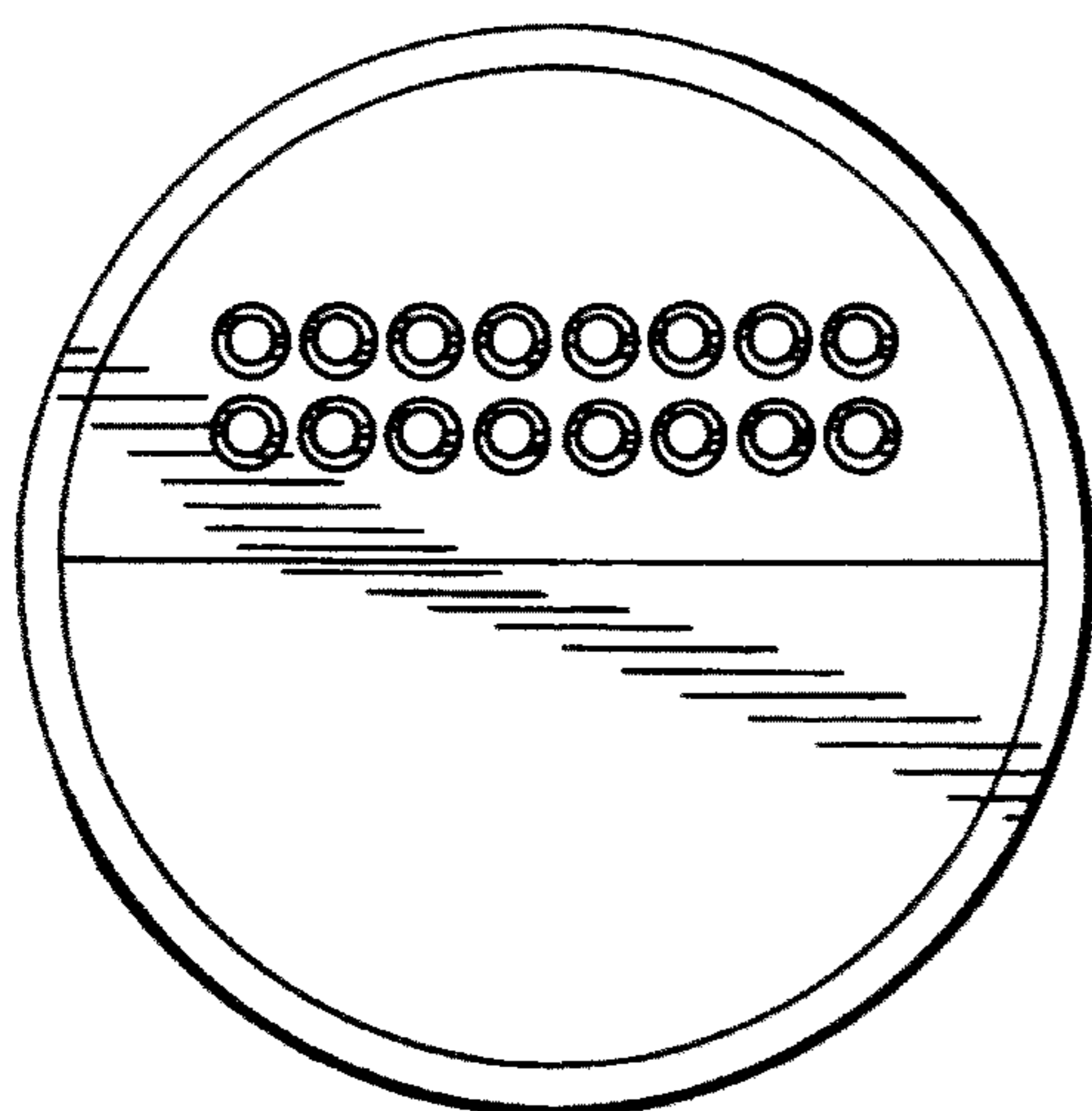


FIG. 12

