



US00D615047S

(12) **United States Design Patent**
Zheng

(10) **Patent No.:** **US D615,047 S**

(45) **Date of Patent:** **** May 4, 2010**

(54) **KEYED EMERGENCY STOP COVER**

6,987,230 B2 * 1/2006 Hansen 200/47

D537,797 S * 3/2007 Yanai et al. D13/171

D561,705 S * 2/2008 Tsuduki D13/171

(75) Inventor: **Chun Kai Zheng**, Yueqing (CN)

(73) Assignee: **Zhejiang Kedu Electric Manufacturing Co. Ltd**, Yueqing (CN)

* cited by examiner

Primary Examiner—Antoine D Davis

(74) *Attorney, Agent, or Firm*—Brian D. Smith, P.C.

(**) Term: **14 Years**

(21) Appl. No.: **29/339,735**

(57) **CLAIM**

(22) Filed: **Jul. 7, 2009**

The ornamental design for the keyed emergency stop cover, as shown and described.

Related U.S. Application Data

(62) Division of application No. 29/318,169, filed on May 15, 2008, now Pat. No. Des. 596,144.

DESCRIPTION

(51) **LOC (9) Cl.** **13-03**

FIG. 1 is a perspective view of a keyed emergency stop cover, showing my new design;

(52) **U.S. Cl.** **D13/171**

FIG. 2 is a front view of the design of FIG. 1;

(58) **Field of Classification Search** D13/158,
D13/171, 173, 174; 200/51 LM, 334, 538;
318/445, 563; 361/170

FIG. 3 is a rear view of the design of FIG. 1;

See application file for complete search history.

FIG. 4 is a left side elevational view of the design of FIG. 1;

FIG. 5 is a right side elevational view of the design of FIG. 1; and,

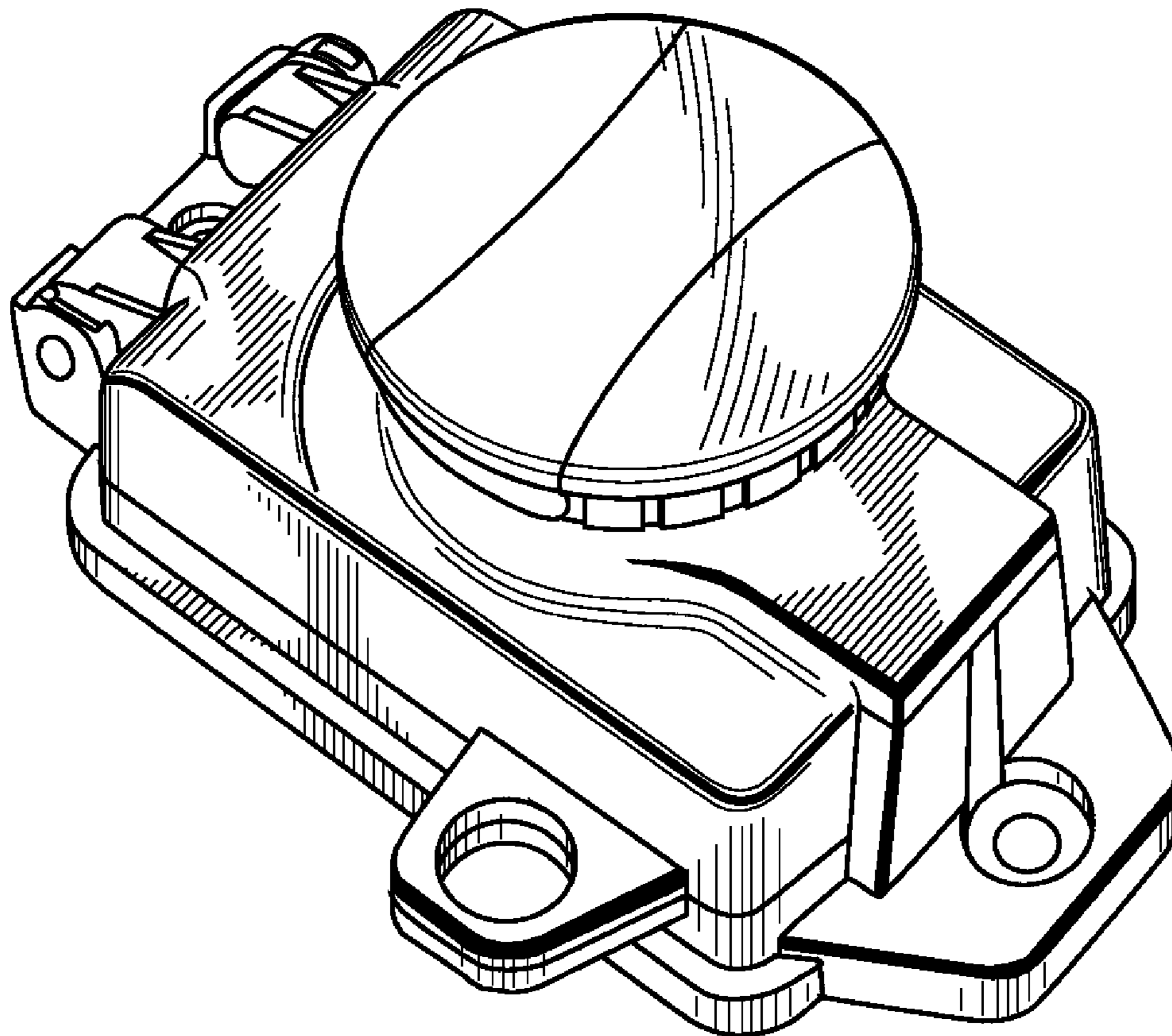
(56) **References Cited**

FIG. 6 is a top plan view of the design of FIG. 1.

U.S. PATENT DOCUMENTS

6,272,001 B1 * 8/2001 Futsuhara 361/170

1 Claim, 2 Drawing Sheets



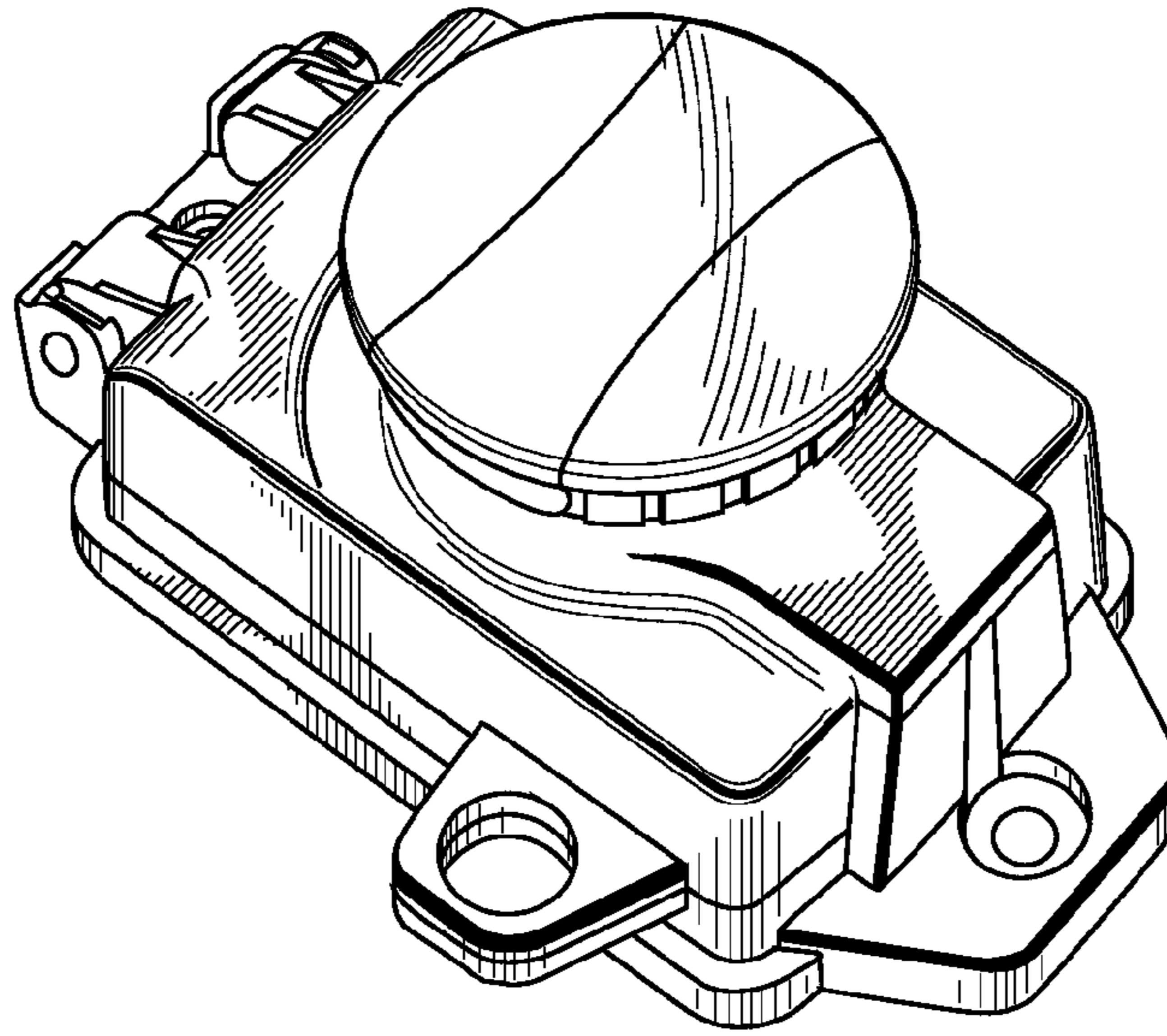


FIG. 1

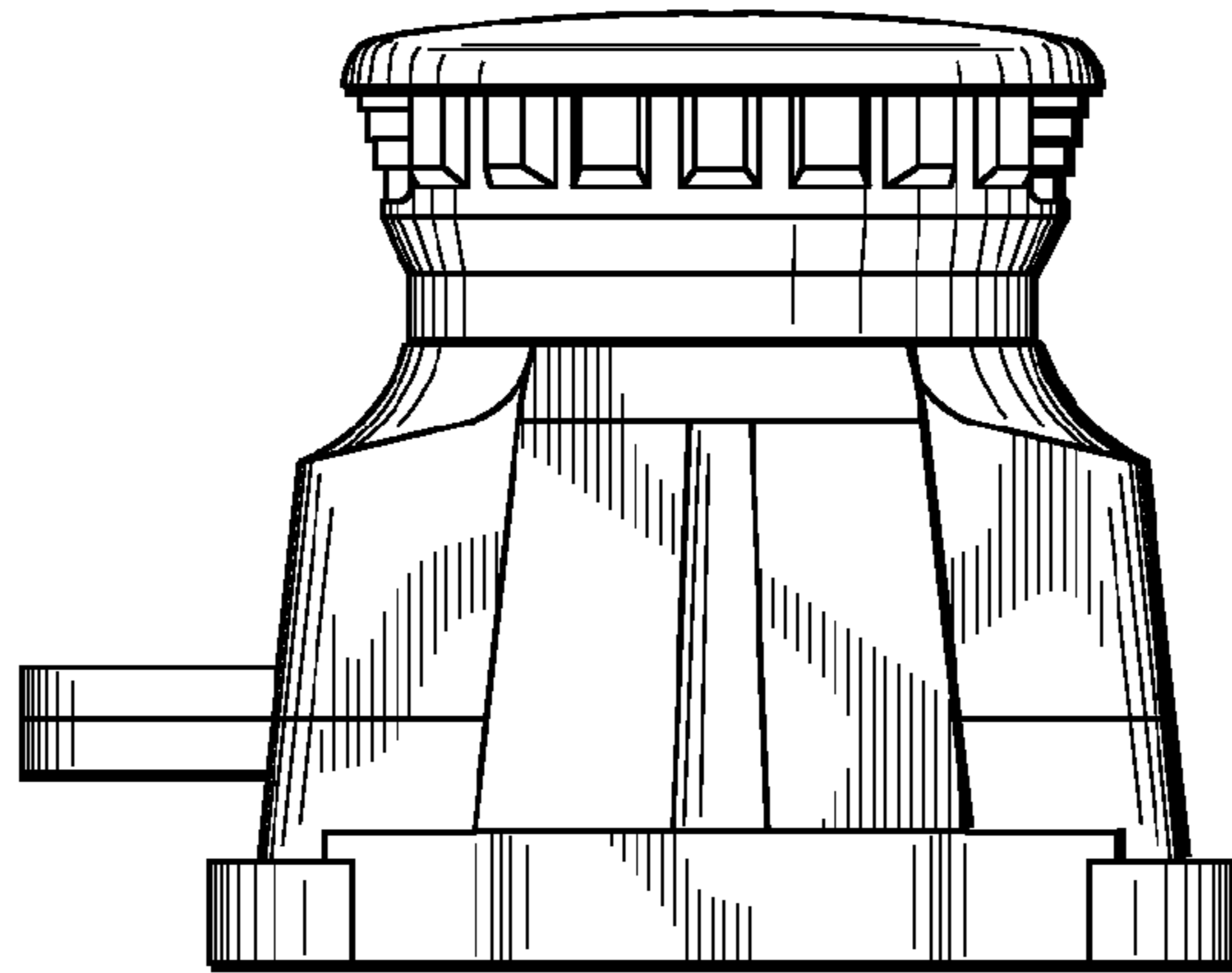


FIG. 2

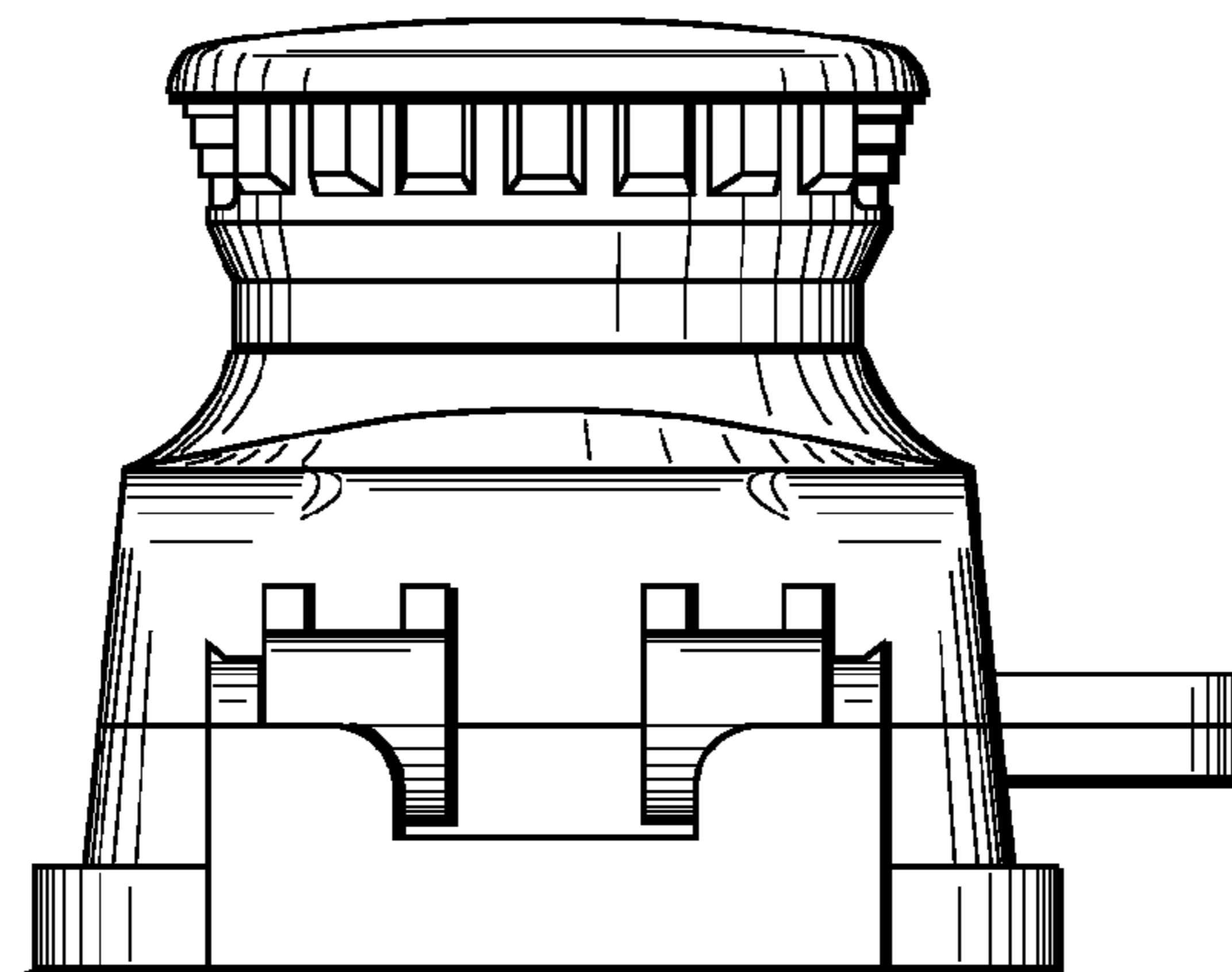


FIG. 3

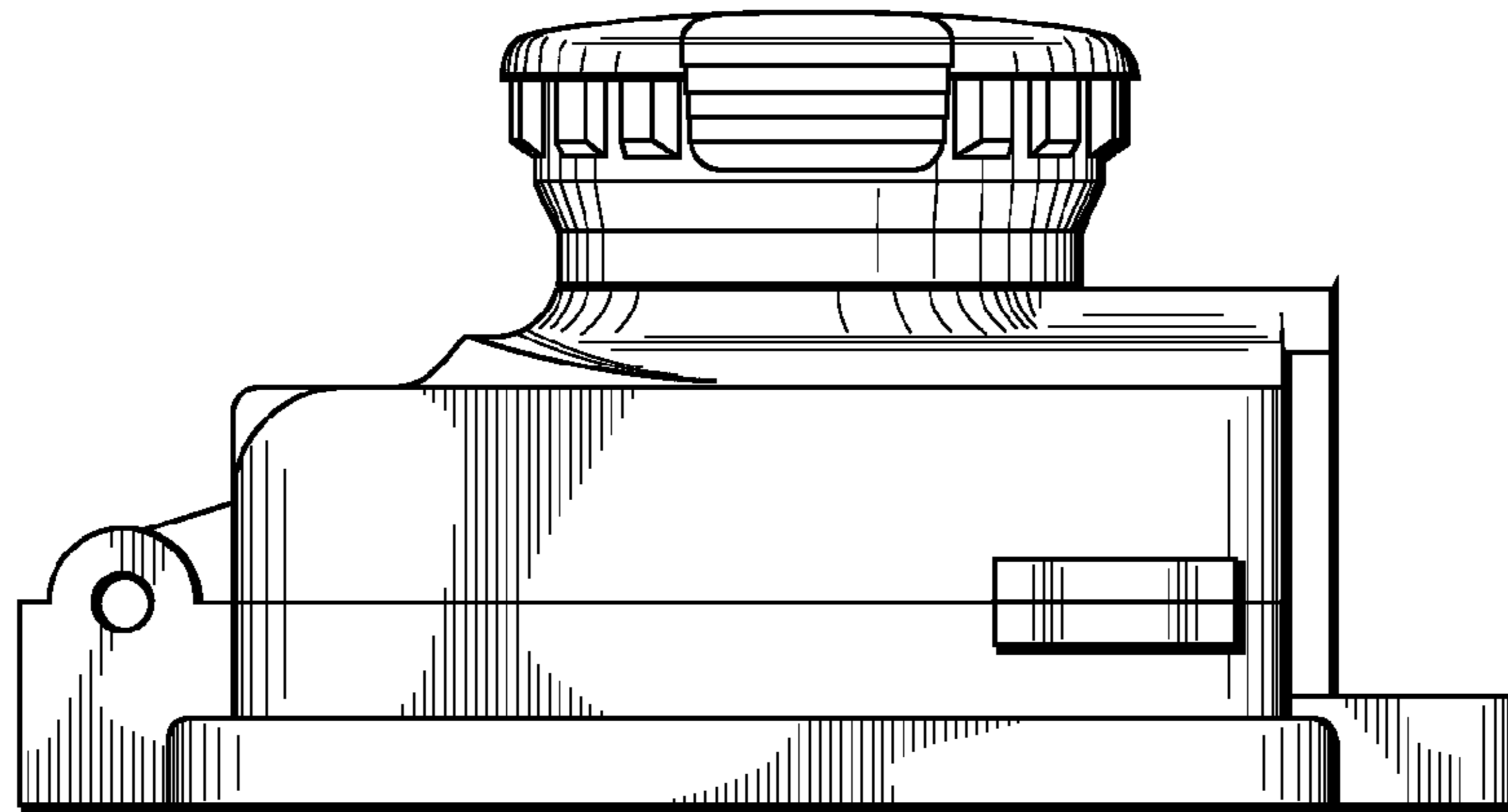


FIG. 4

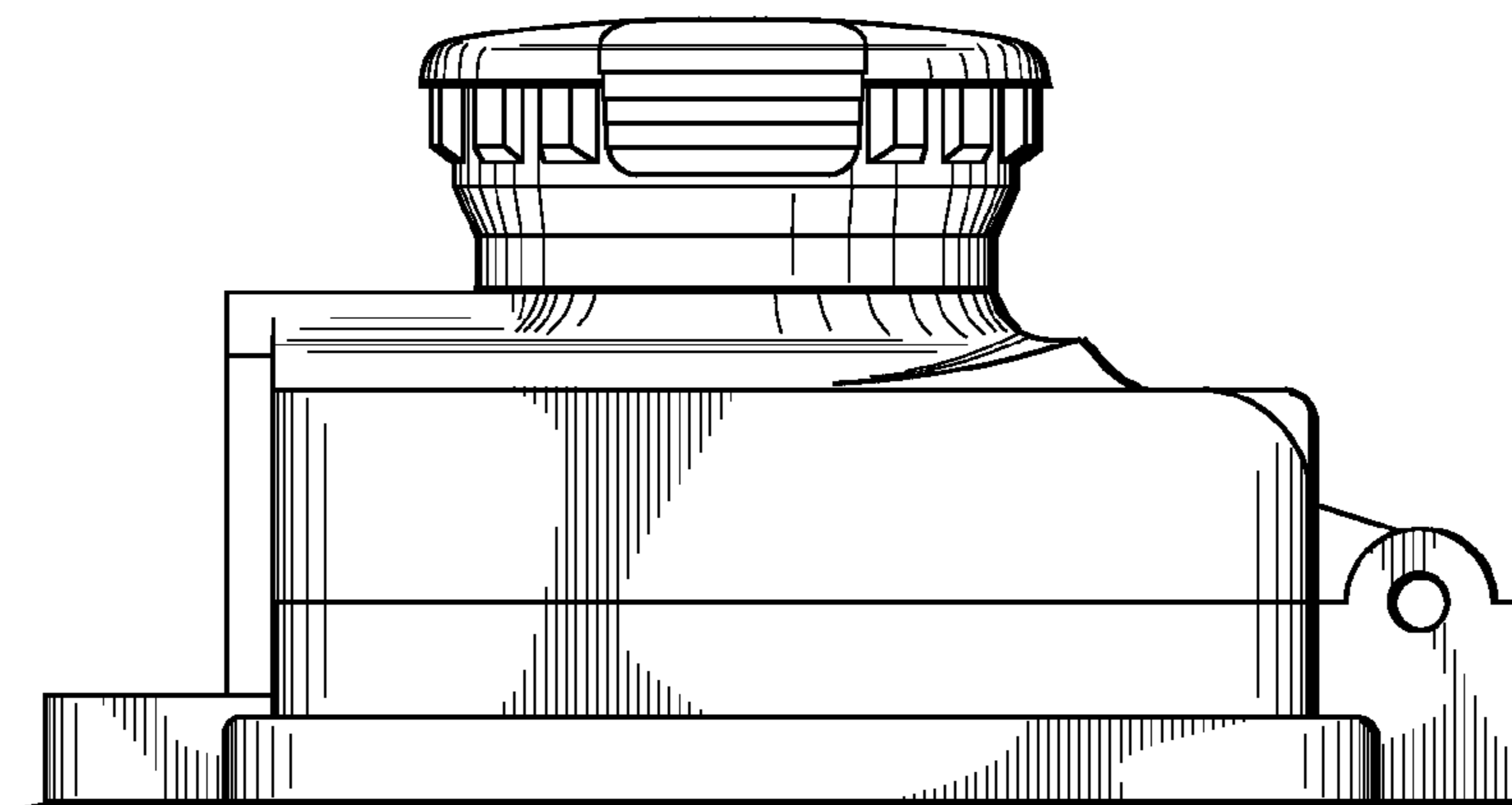


FIG. 5

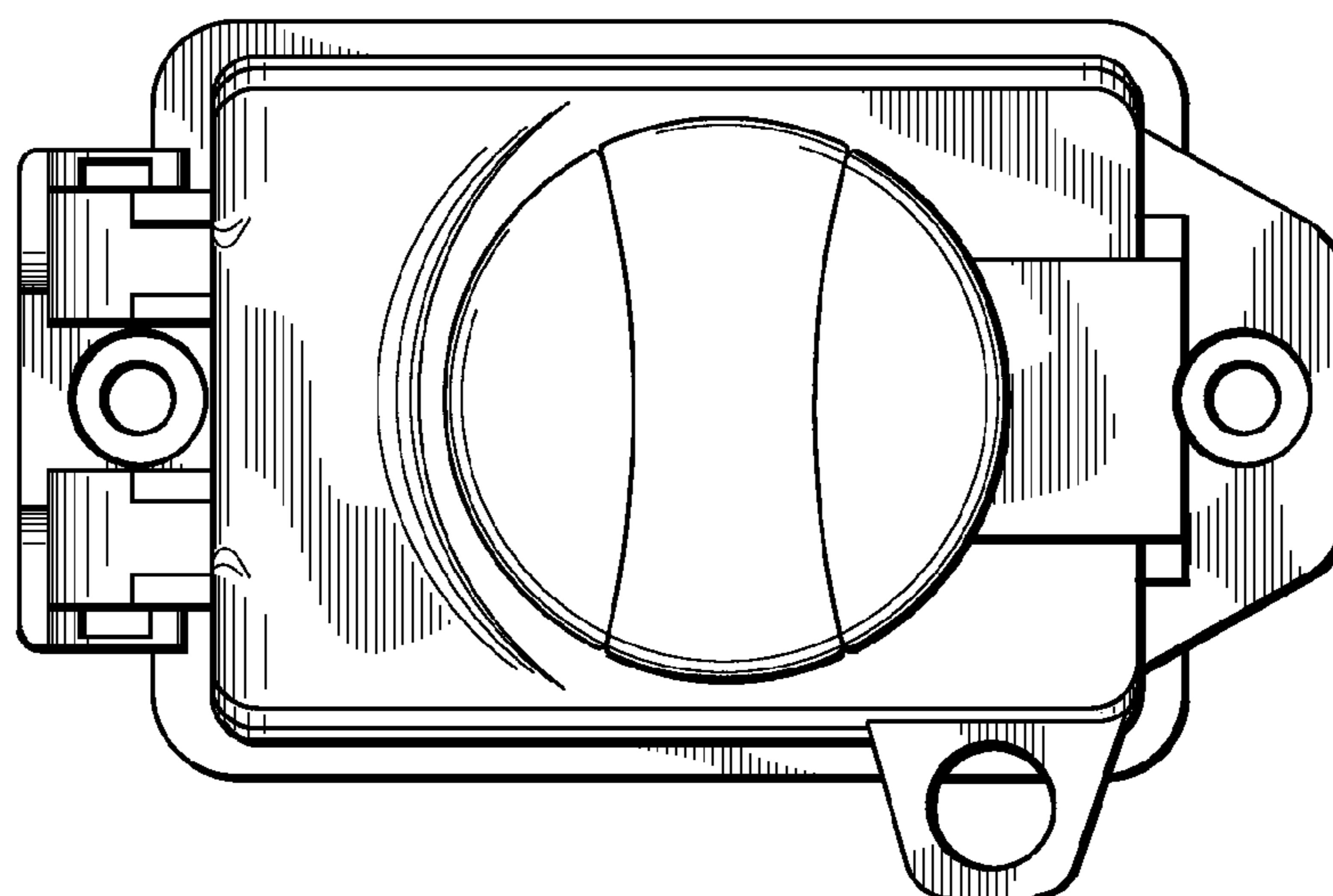


FIG. 6