



US00D615042S

(12) **United States Design Patent**
Morgan et al.

(10) **Patent No.:** **US D615,042 S**
(45) **Date of Patent:** **** May 4, 2010**

(54) **MEDICAL DEVICE PLUG FOR A SURGICAL TOOL**

(75) Inventors: **Roy E. Morgan**, San Jose, CA (US);
Wayne K. Auge, II, Santa Fe, NM (US)

(73) Assignee: **NuOrtho Surgical, Inc.**, Fall River, MA (US)

(**) Term: **14 Years**

(21) Appl. No.: **29/340,652**

(22) Filed: **Jul. 22, 2009**

(51) **LOC (9) Cl.** **13-03**

(52) **U.S. Cl.** **D13/138.1; D13/133**

(58) **Field of Classification Search** D13/138.1,
D13/138.2, 139.1, 139.2, 139.3, 139.4, 139.5,
D13/139.6, 139.7, 139.8, 137.1, 137.2, 137.3,
D13/137.4, 133, 107, 108, 110, 123, 146,
D13/147, 149, 151, 154, 160; D14/240,
D14/256, 217, 433; 174/494, 67, 202, 206,
174/53, 59; 439/35, 222, 249, 919, 909,
439/171, 518, 956, 105, 53, 63, 106, 136,
439/149, 266, 300, 373, 654, 660, 907; 320/111,
320/114; 363/146

See application file for complete search history.

(56) **References Cited**

U.S. PATENT DOCUMENTS

D332,083	S	*	12/1992	Hollander et al.	D13/133
D332,251	S	*	1/1993	Meinel	D13/133
5,199,093	A	*	3/1993	Longhurst	385/88
D369,346	S	*	4/1996	Tan	D13/133
D374,657	S	*	10/1996	Beraneek	D13/138.1
5,611,013	A	*	3/1997	Curzio	385/89
D389,457	S	*	1/1998	Beraneek	D13/133
D400,854	S	*	11/1998	Beraneek	D13/133
6,991,482	B1	*	1/2006	Liao	439/166
D538,746	S	*	3/2007	Young	D13/138.2
D560,278	S	*	1/2008	Malis	D24/144
D573,532	S	*	7/2008	Yang	D13/110
2008/0174272	A1	*	7/2008	Vista et al.	320/114

* cited by examiner

Primary Examiner—Jennifer Rivard

Assistant Examiner—Angela J Lee

(74) *Attorney, Agent, or Firm*—Janeen Vilven; Justin R. Jackson; Peacock Myers, P.C.

(57) **CLAIM**

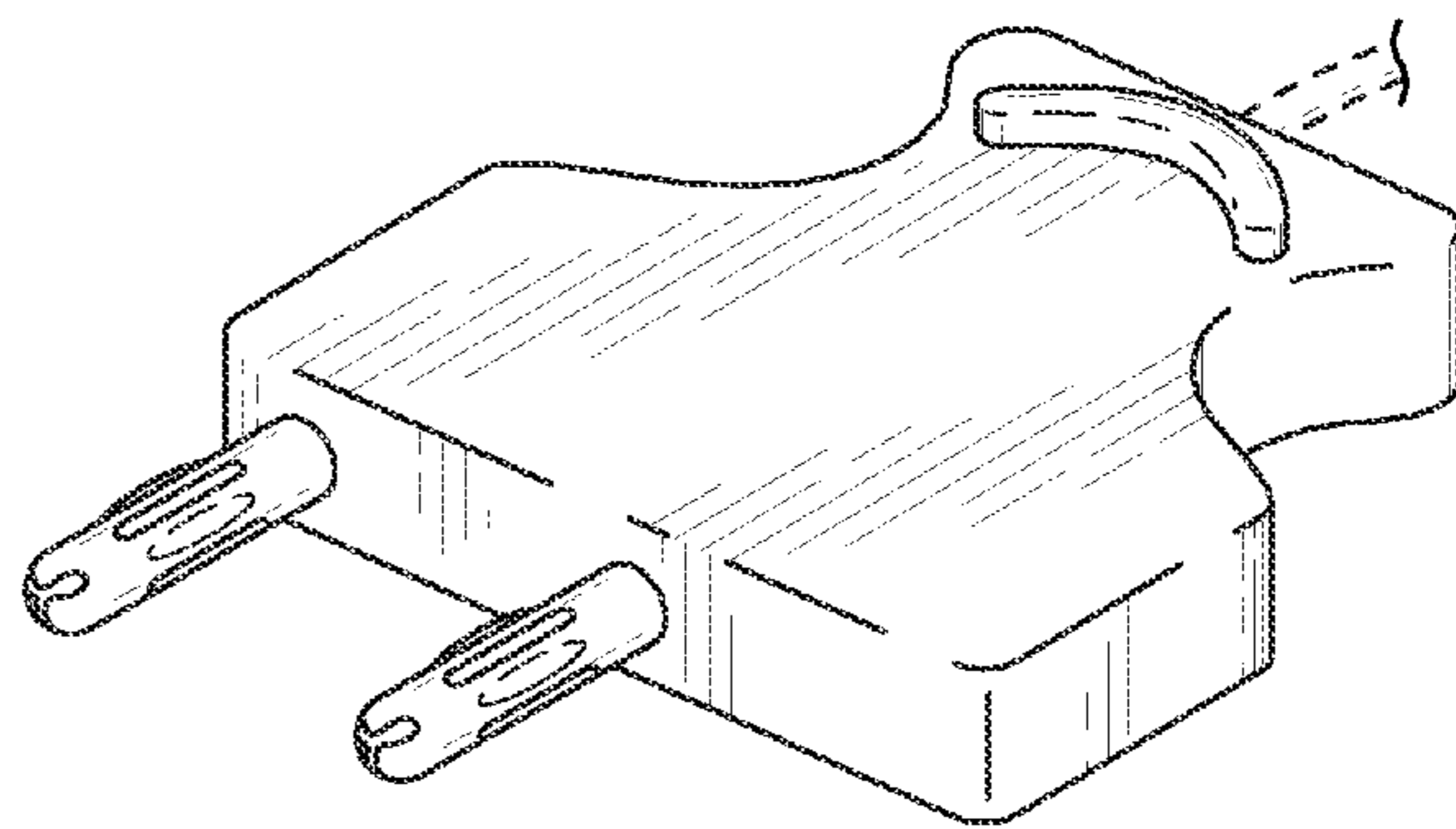
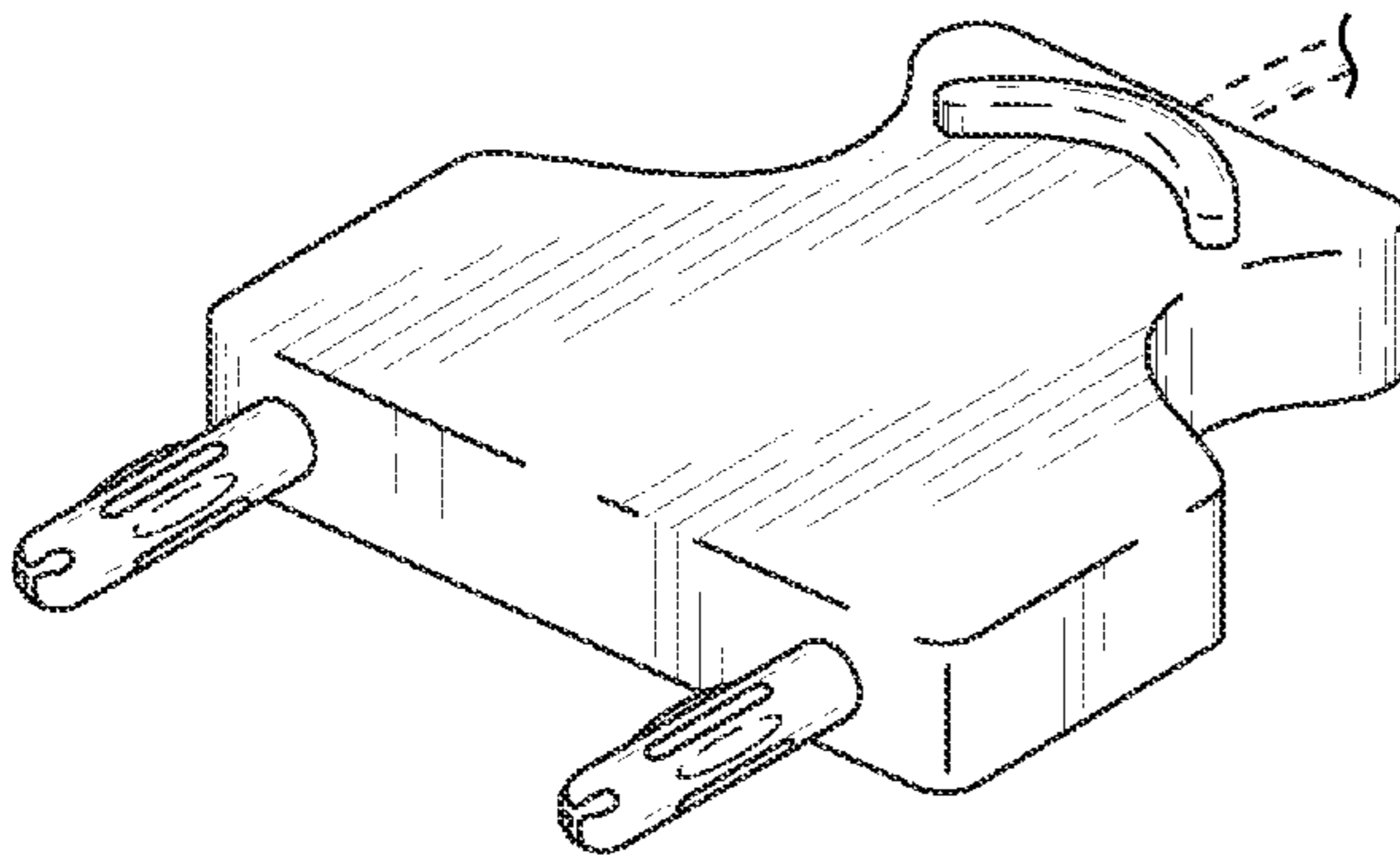
We claim the ornamental design for the medical device plug for a surgical tool, as shown and described.

DESCRIPTION

FIG. 1 is a perspective view of the claimed design;
 FIG. 2 is a top view of the claimed design;
 FIG. 3 is a bottom view of the claimed design;
 FIG. 4 is a right view of the claimed design;
 FIG. 5 is a left view of the claimed design;
 FIG. 6 is a front view of the claimed design;
 FIG. 7 is a back view of the claimed design;
 FIG. 8 is a perspective view of a second embodiment of the design shown in FIG. 1
 FIG. 9 is a top view thereof;
 FIG. 10 is a bottom view thereof;
 FIG. 11 is a right side view thereof;
 FIG. 12 is a left side view thereof;
 FIG. 13 is a front view thereof;
 FIG. 14 is a back view thereof;
 FIG. 15 is a perspective view of a third embodiment of the design shown in FIG. 1.
 FIG. 16 is a top view thereof;
 FIG. 17 is a bottom view thereof;
 FIG. 18 is a right side view thereof;
 FIG. 19 is a left side view thereof;
 FIG. 20 is a front view thereof; and,
 FIG. 21 is a back view thereof.

The cable shown in broken lines forms no part of the claimed design.

1 Claim, 9 Drawing Sheets



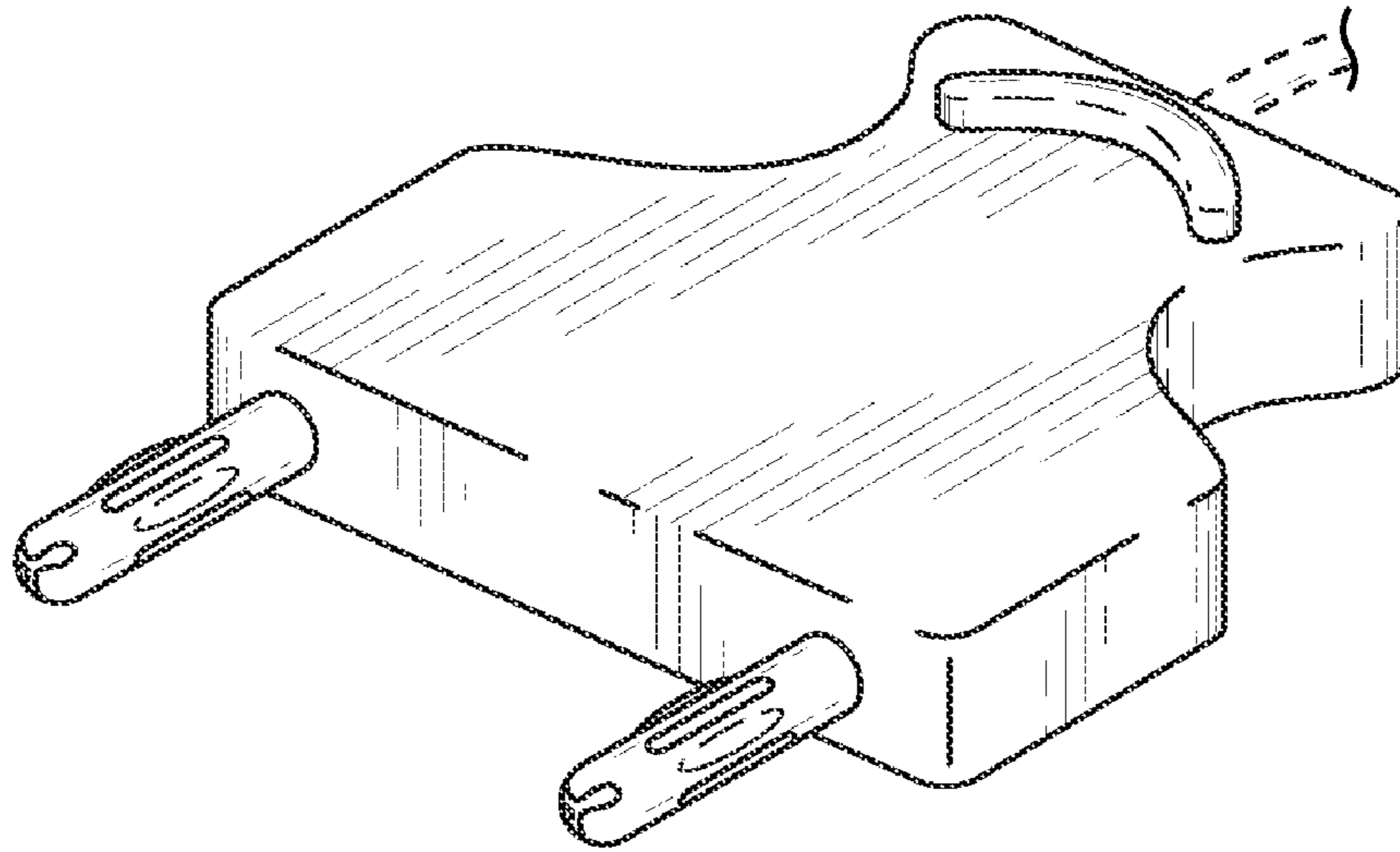


FIG. 1

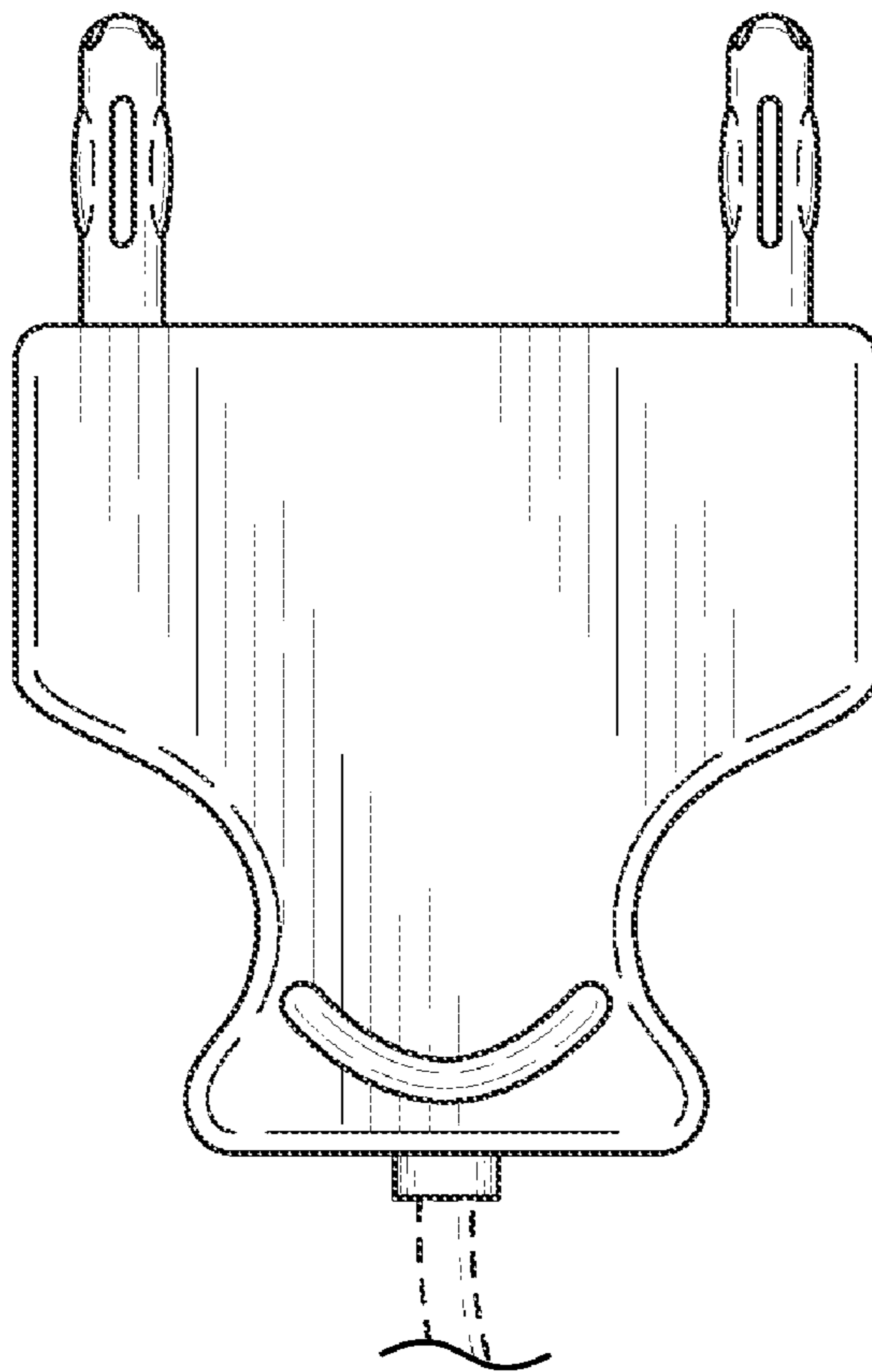


FIG. 2

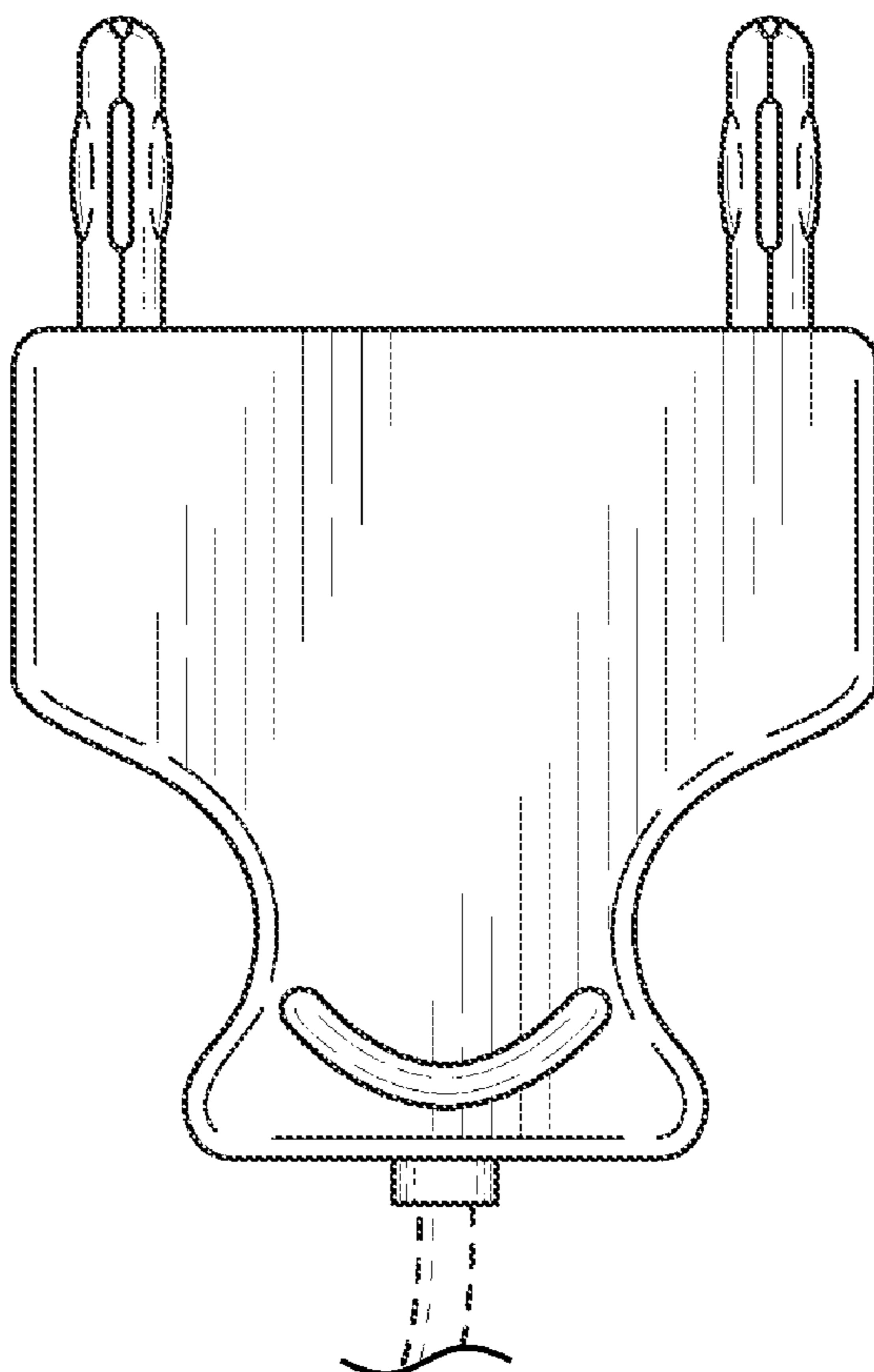


FIG. 3

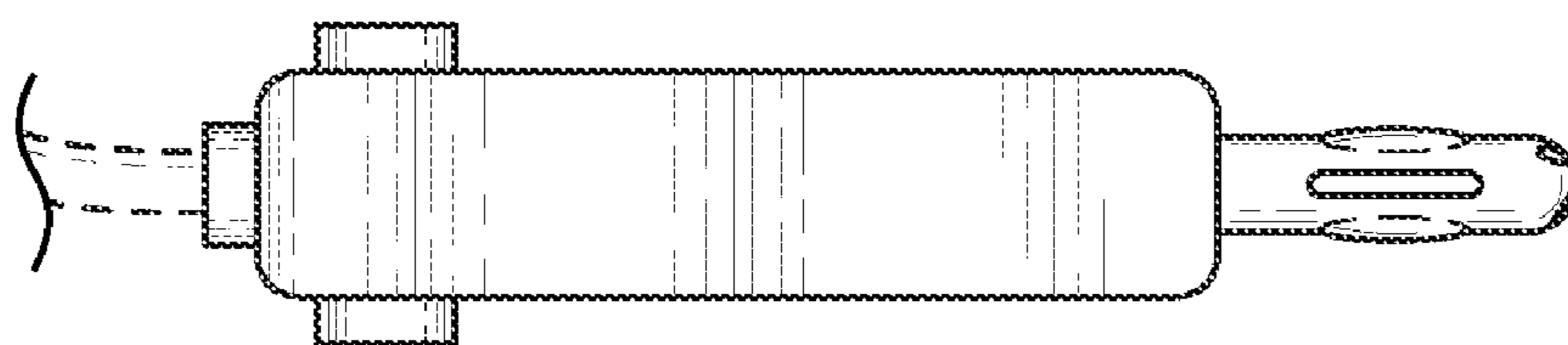


FIG. 4

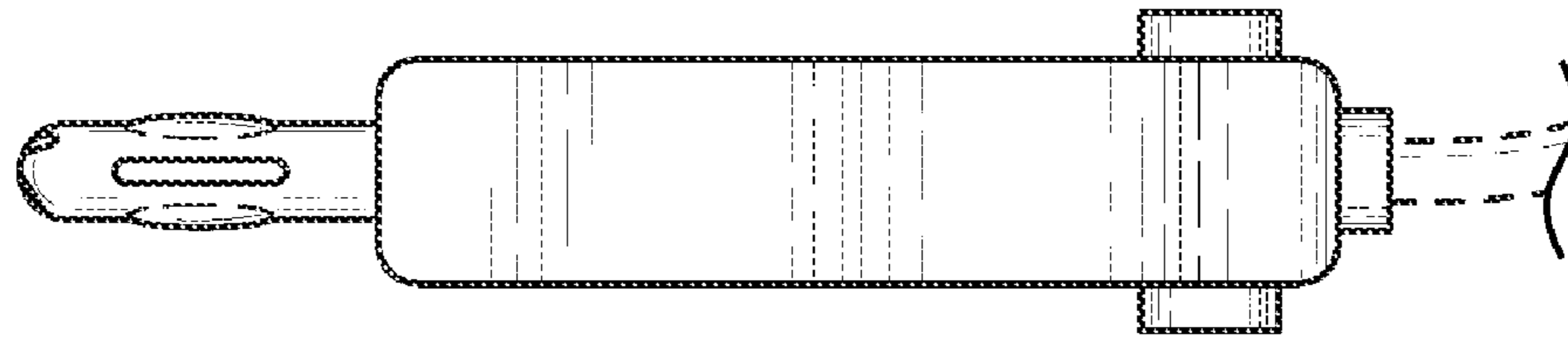


FIG. 5

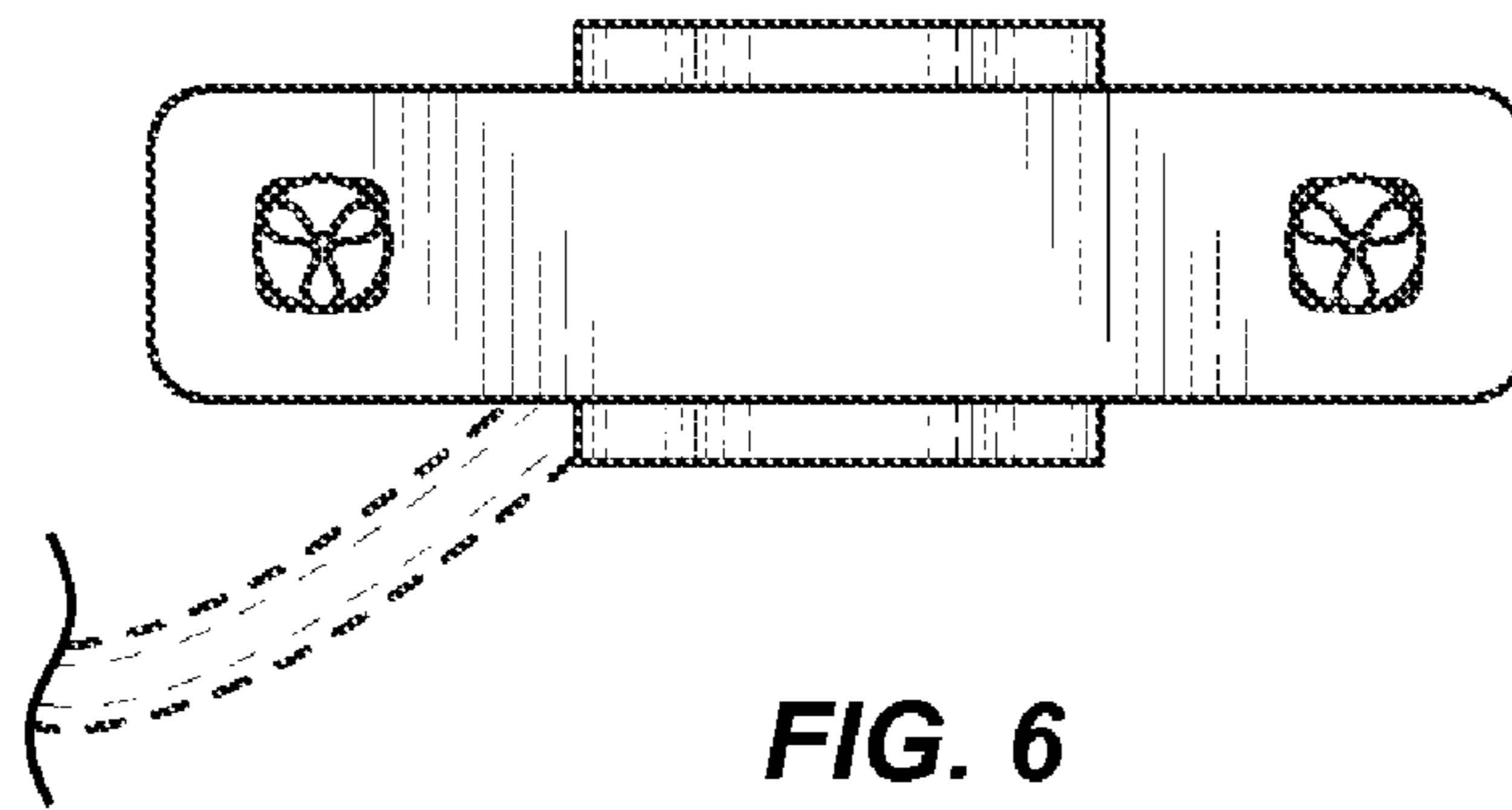


FIG. 6

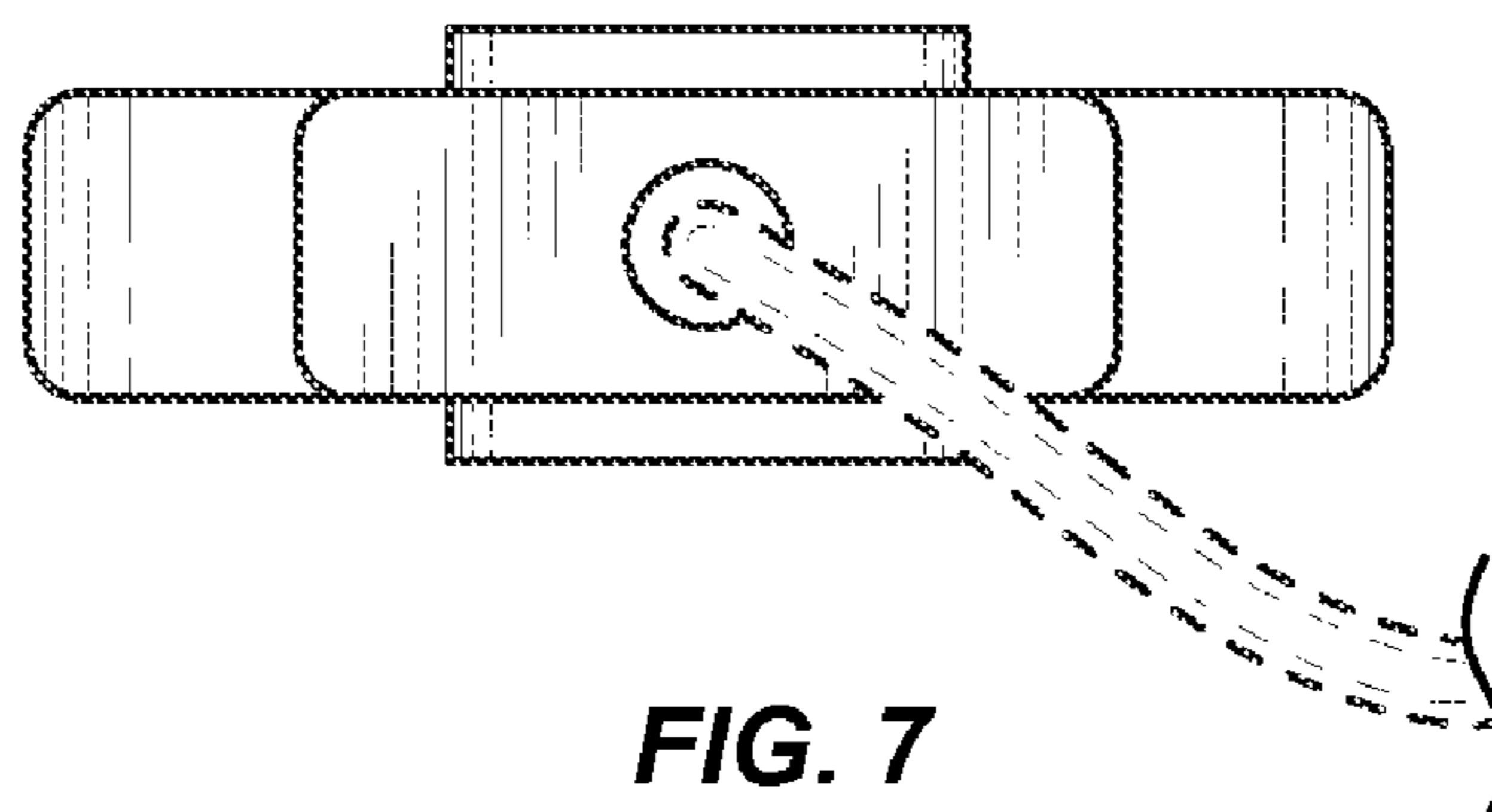


FIG. 7

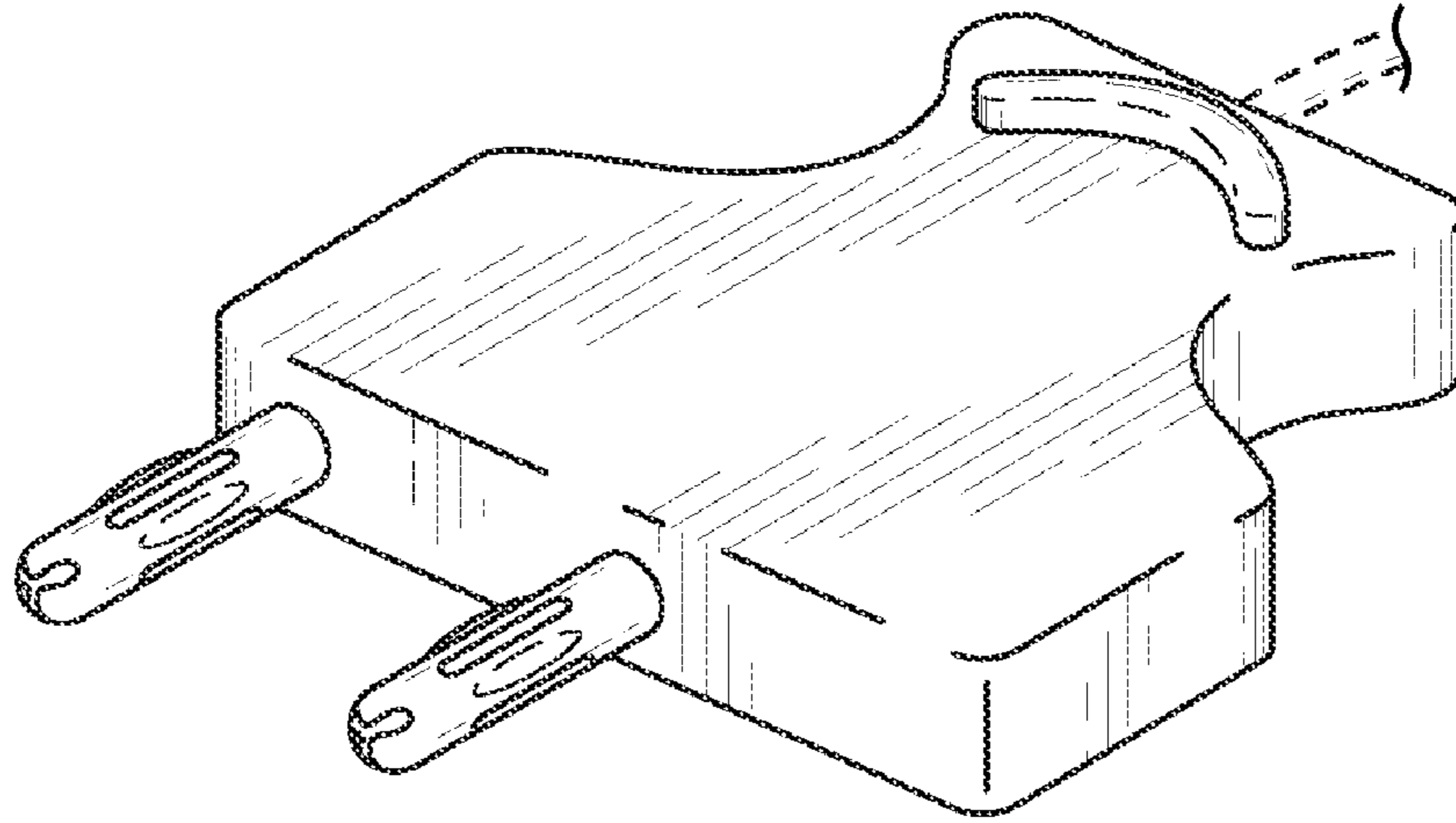


FIG. 8

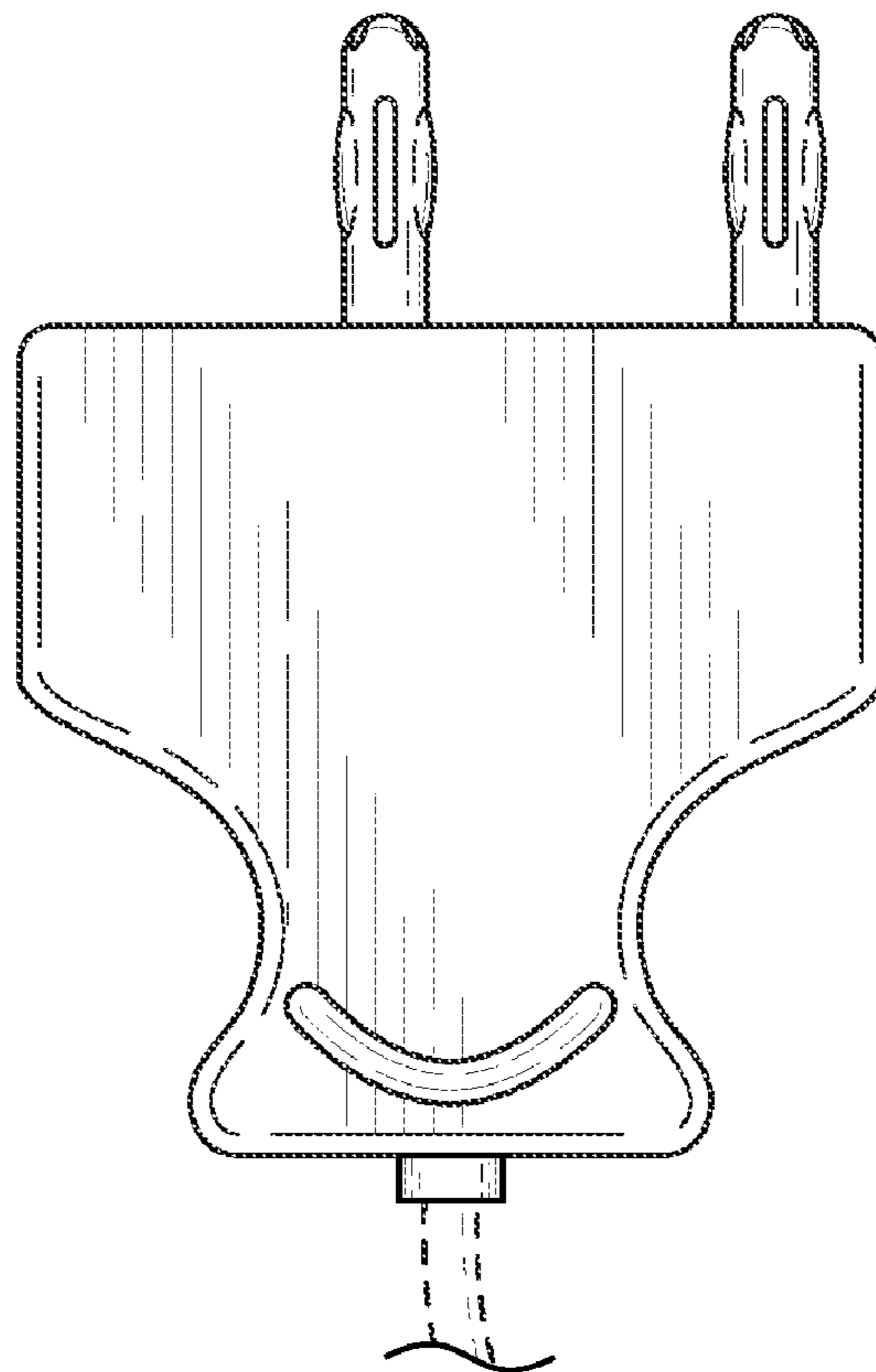


FIG. 9

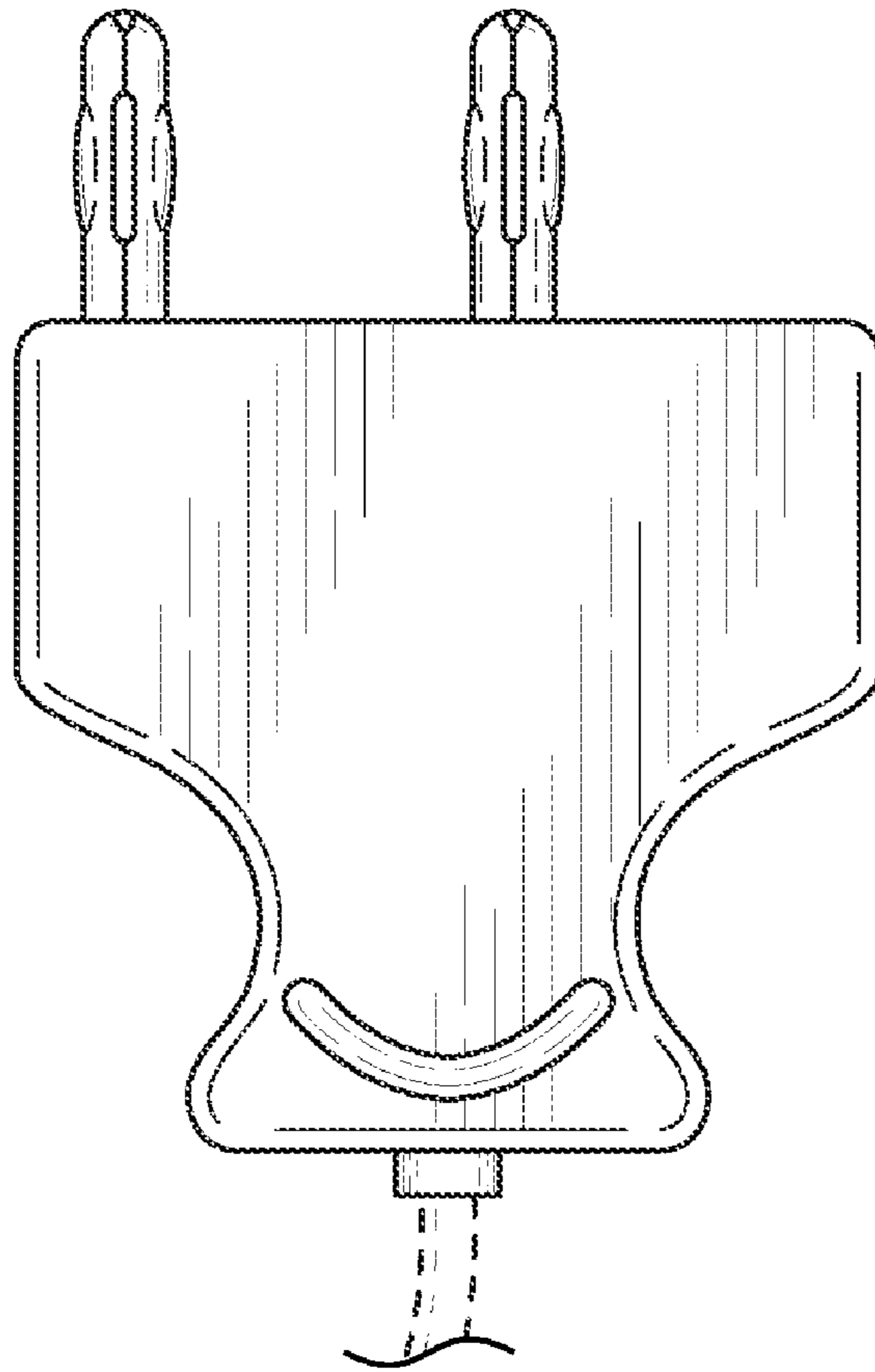


FIG. 10

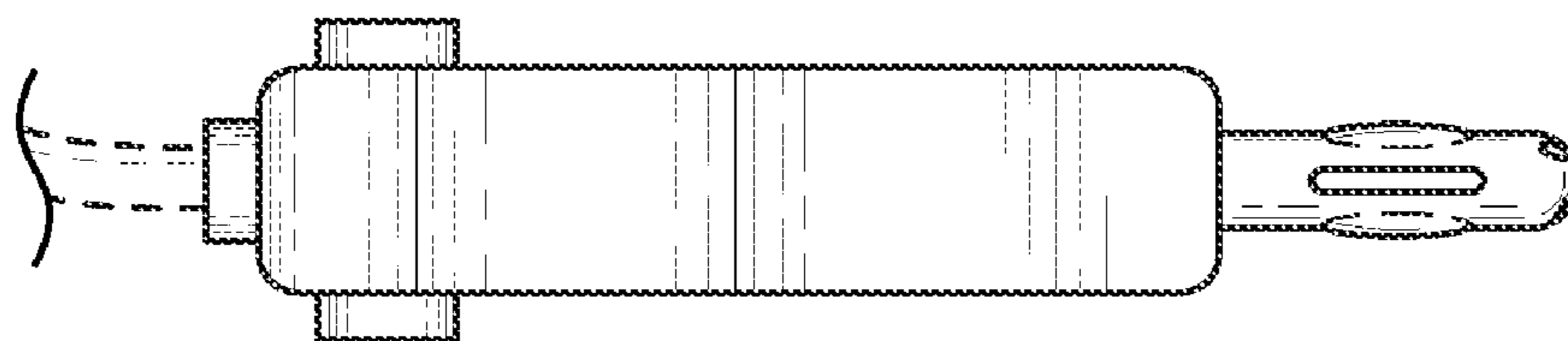


FIG. 11

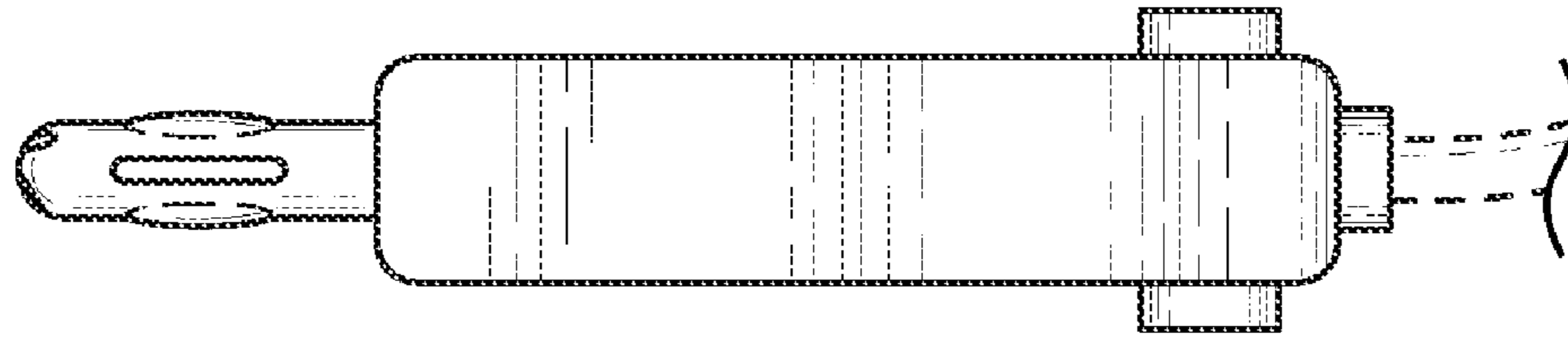


FIG. 12

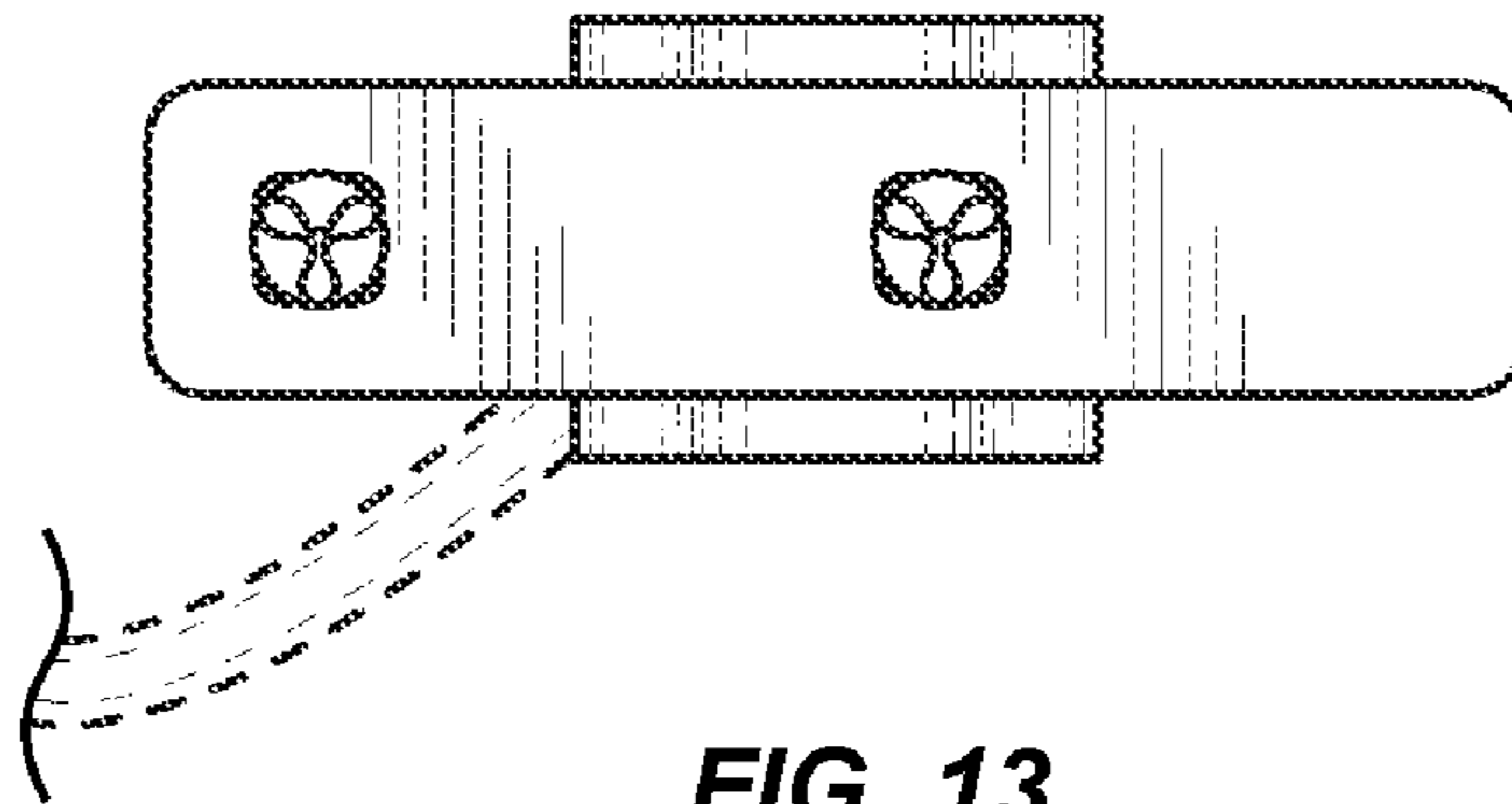


FIG. 13

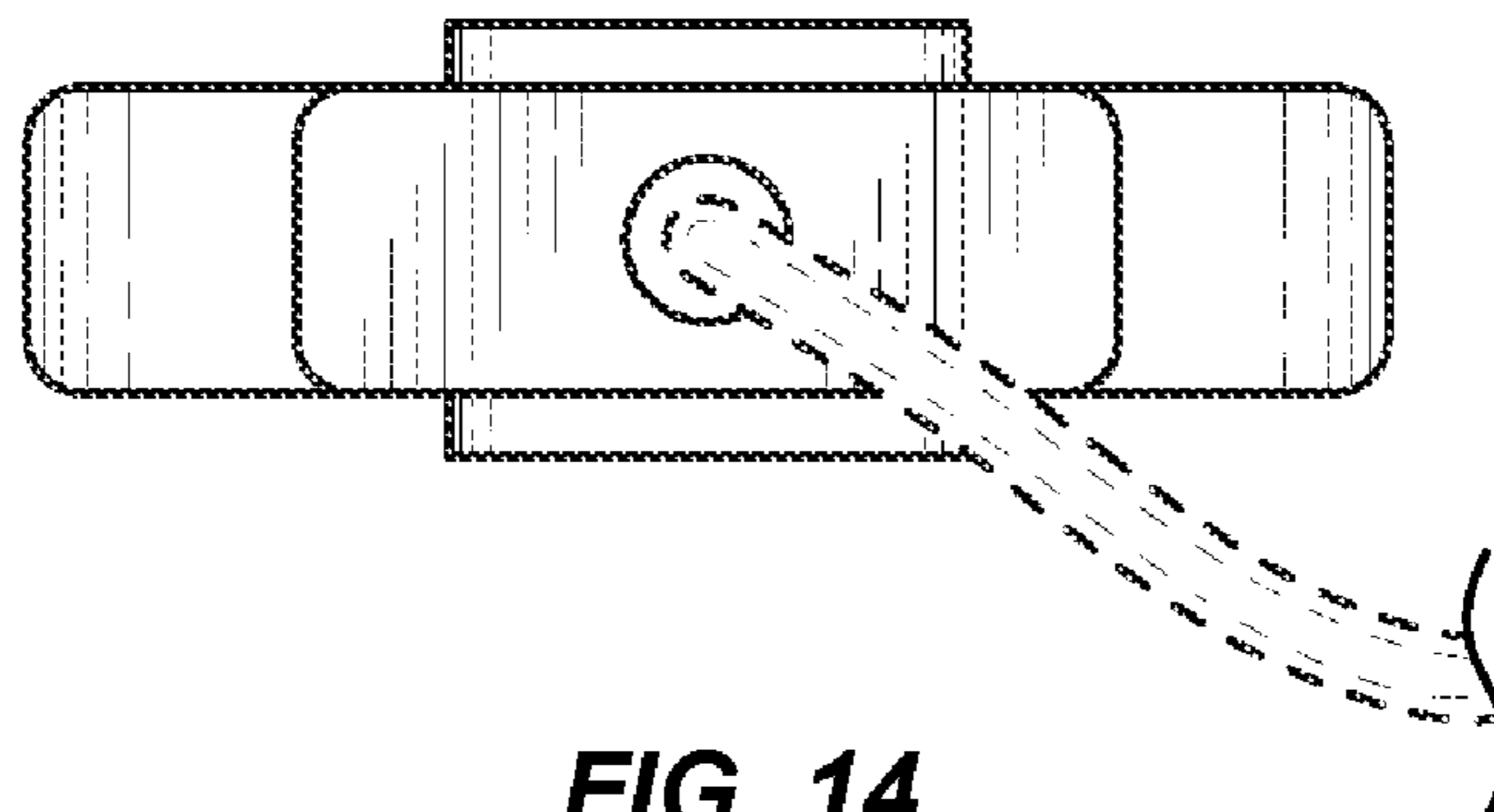


FIG. 14

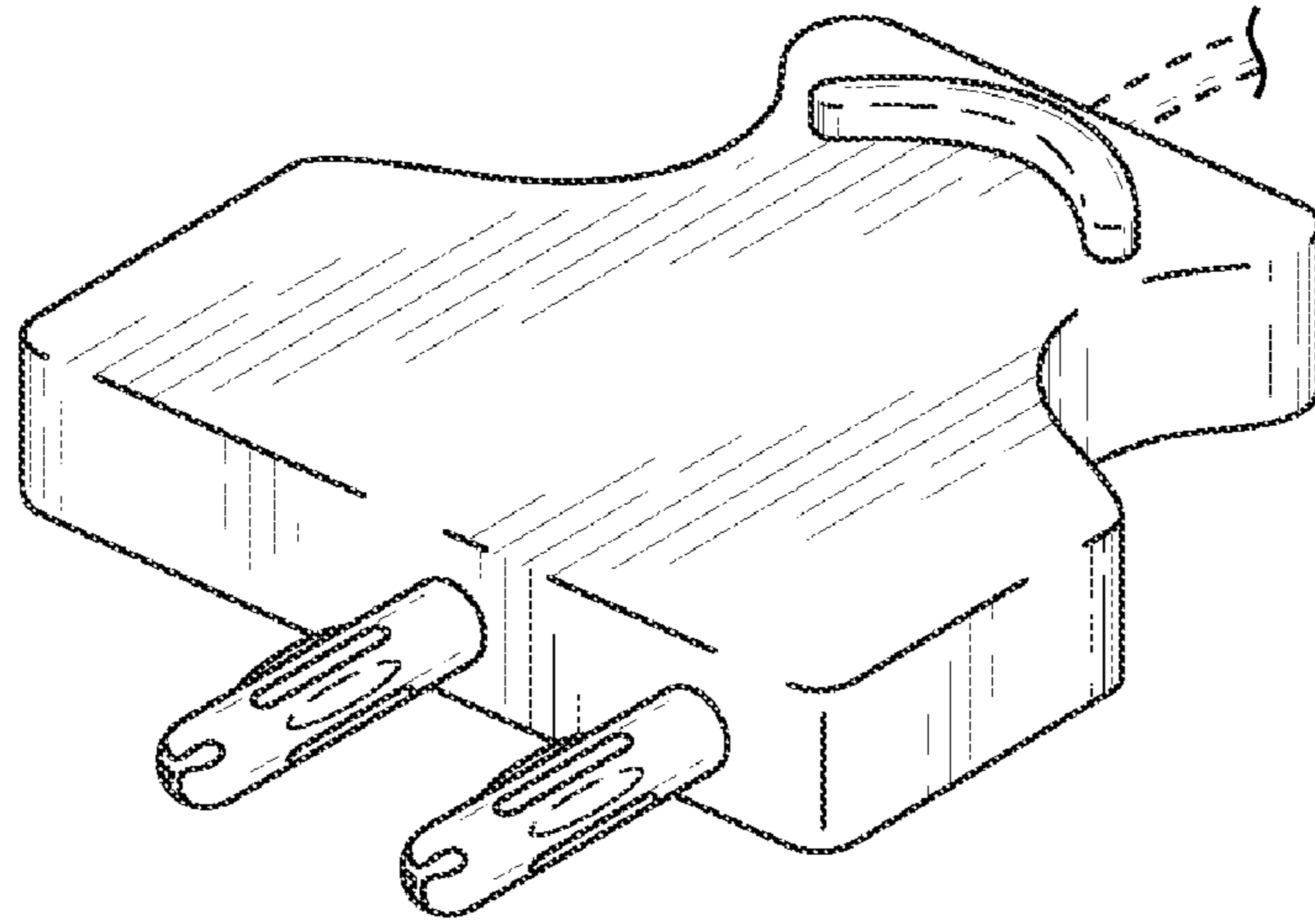


FIG. 15

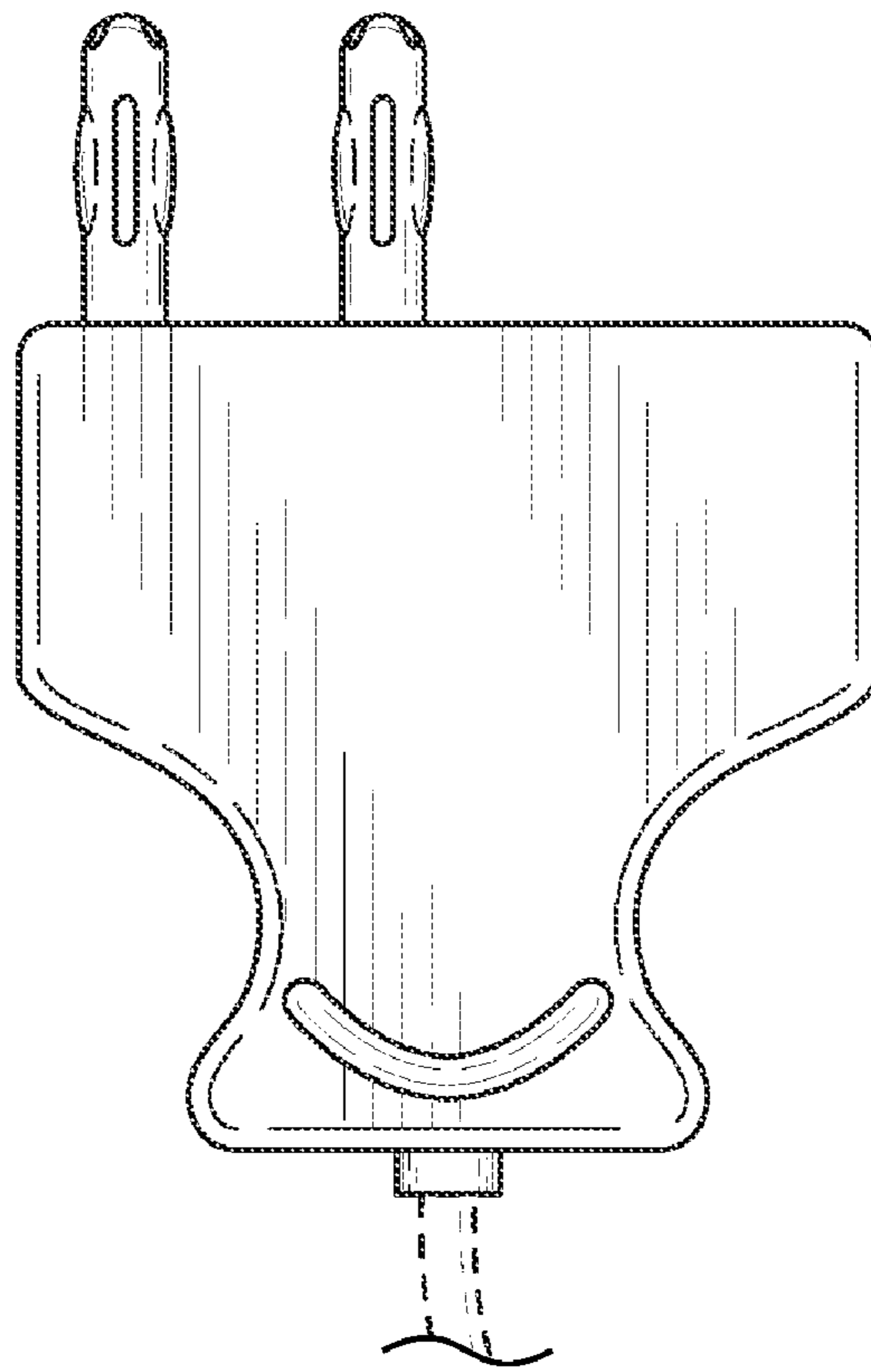


FIG. 16

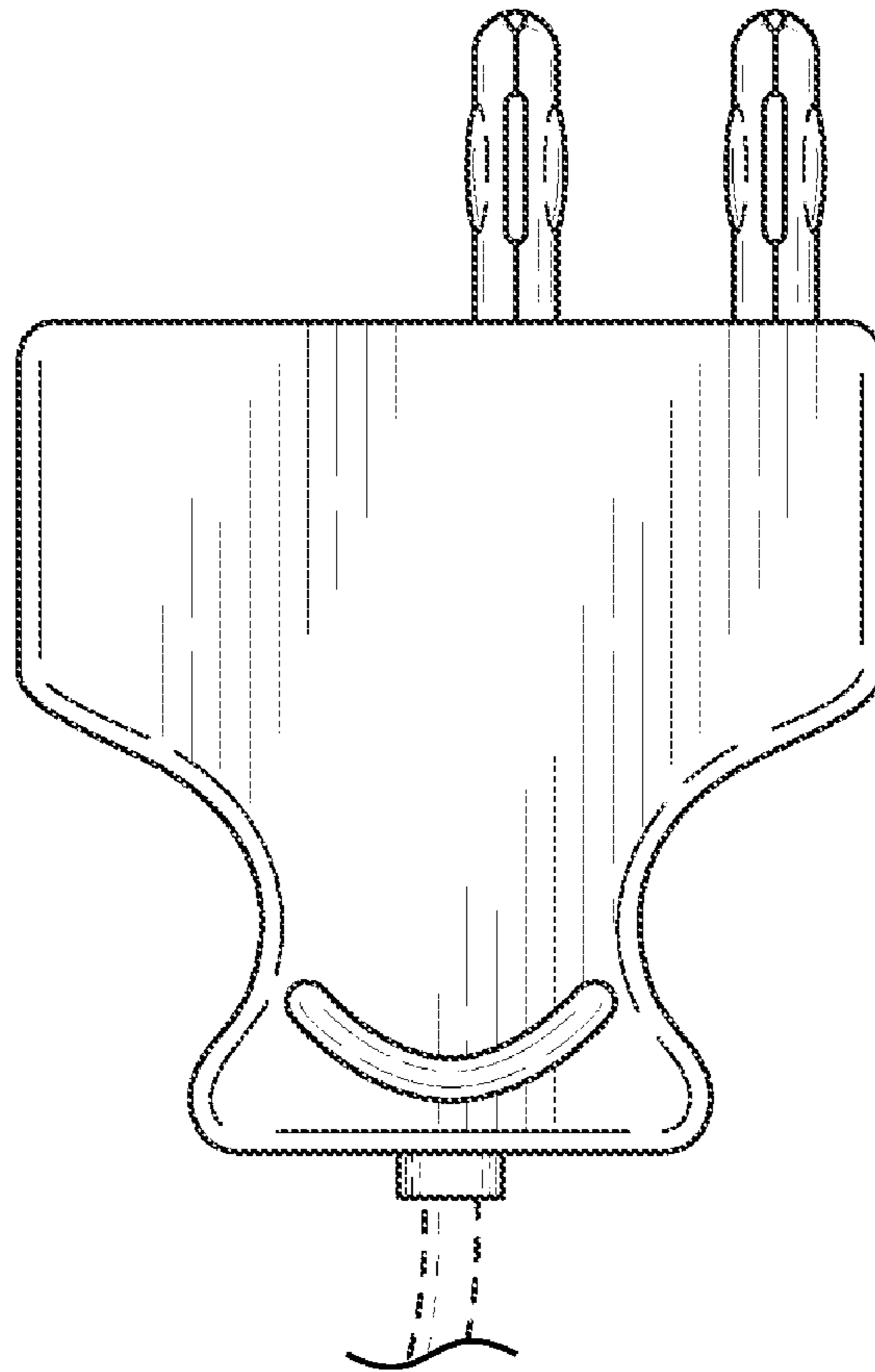


FIG. 17

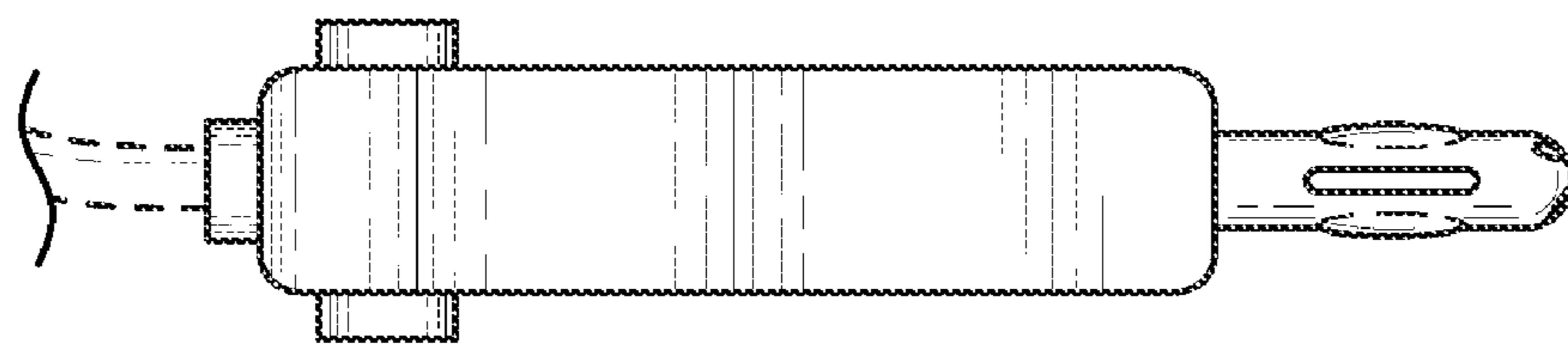


FIG. 18

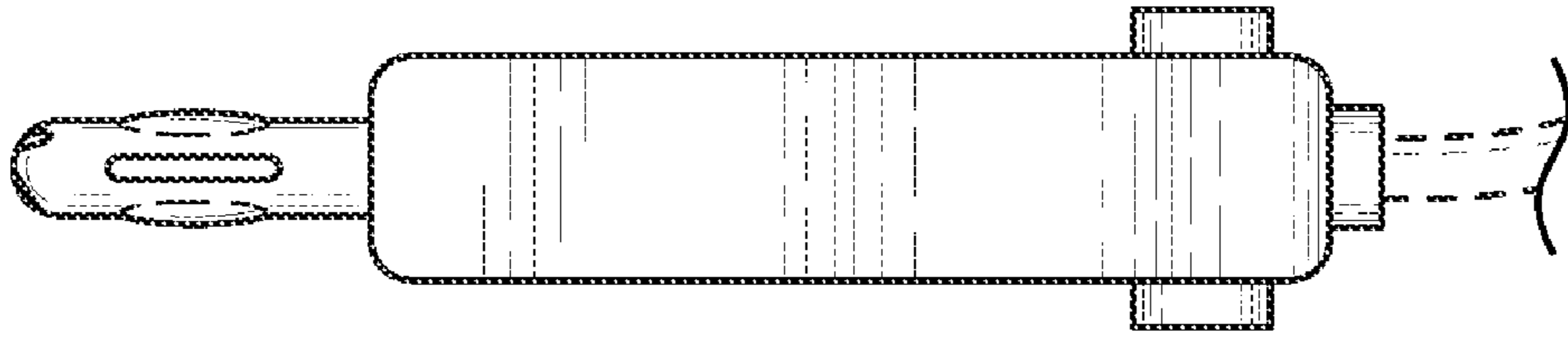


FIG. 19

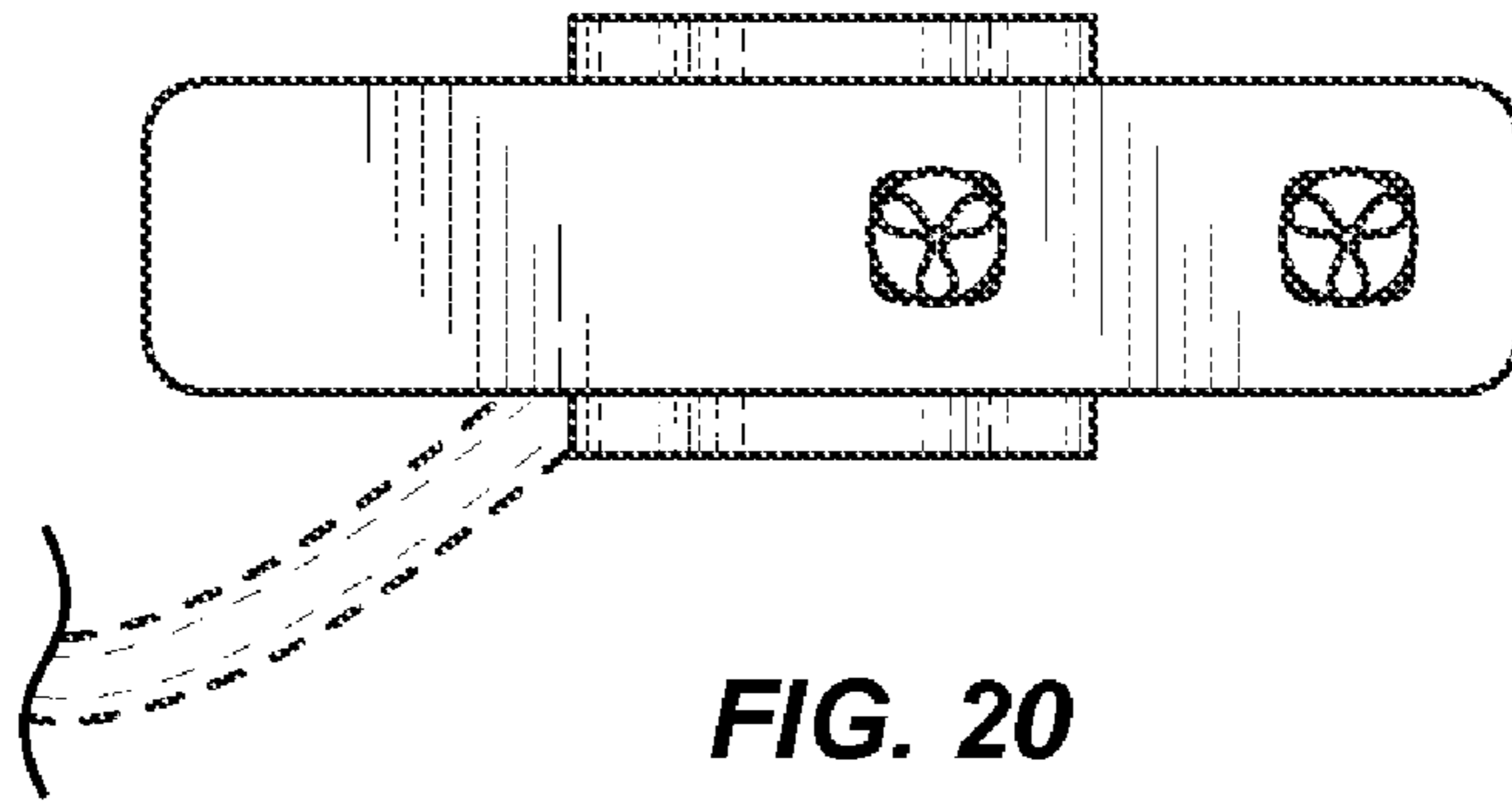


FIG. 20

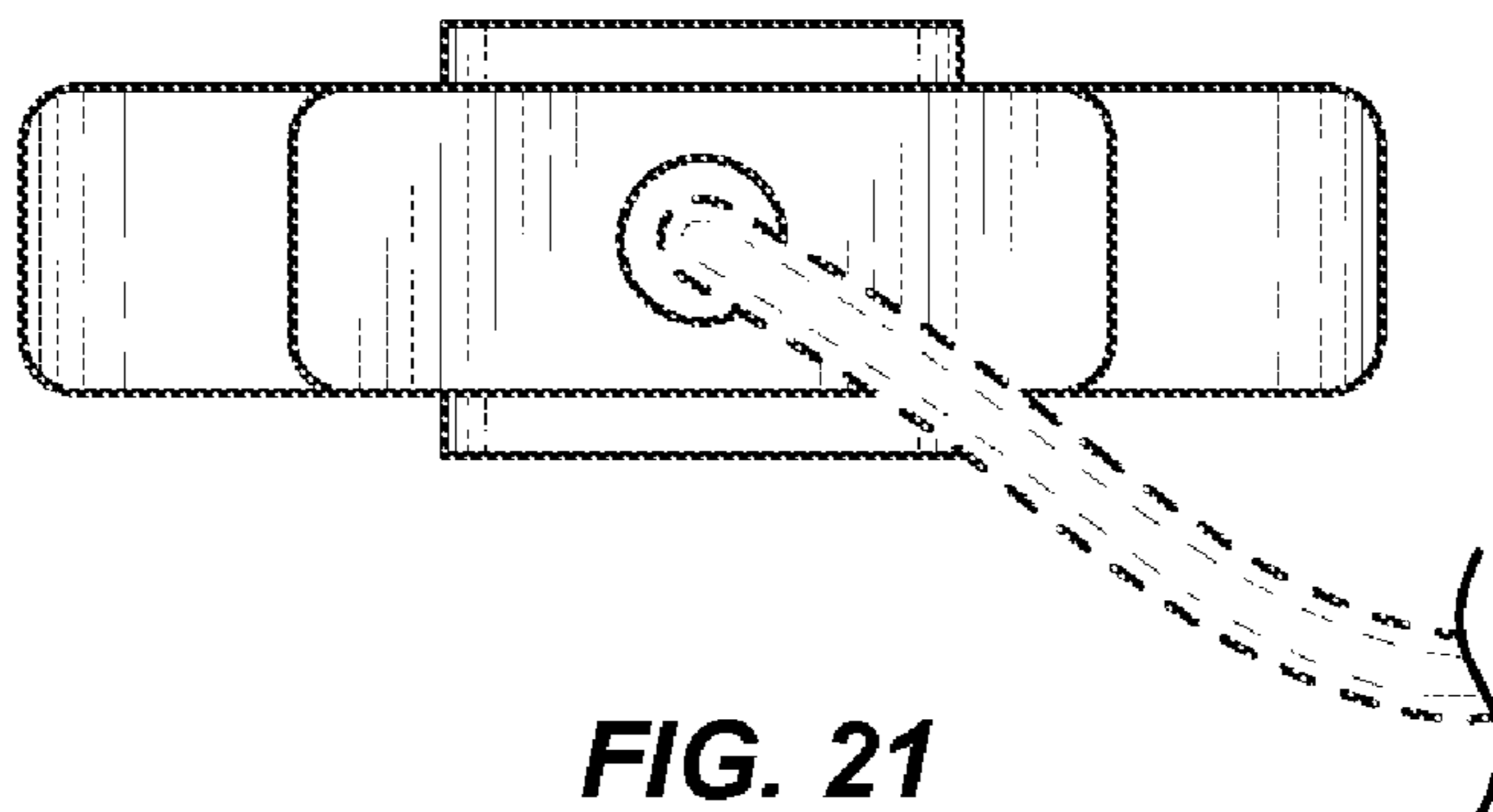


FIG. 21