



US00D615041S

(12) **United States Design Patent**  
**Caplan**

(10) **Patent No.:** **US D615,041 S**

(45) **Date of Patent:** **\*\* May 4, 2010**

(54) **ELECTRICAL WALL PLUG**

(57) **CLAIM**

(76) **Inventor:** **Greg Caplan**, 77 Parliament Hill,  
London (GB) NW3 2TH

I claim the ornamental design for an electrical wall plug, as shown and described.

(\*\*) **Term:** **14 Years**

**DESCRIPTION**

(21) **Appl. No.:** **29/295,241**

FIG. 1 is a front view showing an embodiment of the invention;

(22) **Filed:** **Sep. 24, 2007**

FIG. 2 is a rear view showing an embodiment of the invention;

(51) **LOC (9) Cl.** ..... **13-03**

FIG. 3 is a top, front view perspective showing an embodiment of the invention;

(52) **U.S. Cl.** ..... **D13/137.2; D13/137.3**

FIG. 4. is a top, rear perspective view showing an embodiment of the invention;

(58) **Field of Classification Search** .. D13/137.1-137.3,  
D13/139.1, 139.3, 184; D14/433; 174/53-58,  
174/66; 439/105-107, 535, 650-655, 692  
See application file for complete search history.

FIG. 5 is a right side perspective view showing an embodiment of the invention;

(56) **References Cited**

FIG. 6 is a left side perspective view showing an embodiment of the invention;

**U.S. PATENT DOCUMENTS**

FIG. 7 is a bottom, rear view showing an embodiment of the invention;

D284,758	S	*	7/1986	Maloney	.....	D13/137.3
5,779,499	A	*	7/1998	Sette et al.	.....	439/540.1
6,329,616	B1	*	12/2001	Lee	.....	200/51.03
D461,774	S	*	8/2002	Genicevitch	.....	D13/137.2
D472,520	S	*	4/2003	Genicevitch	.....	D13/137.2
6,750,410	B2	*	6/2004	Lee	.....	200/51.03

FIG. 8 is a front, left, bottom perspective view showing an embodiment of the invention; and,

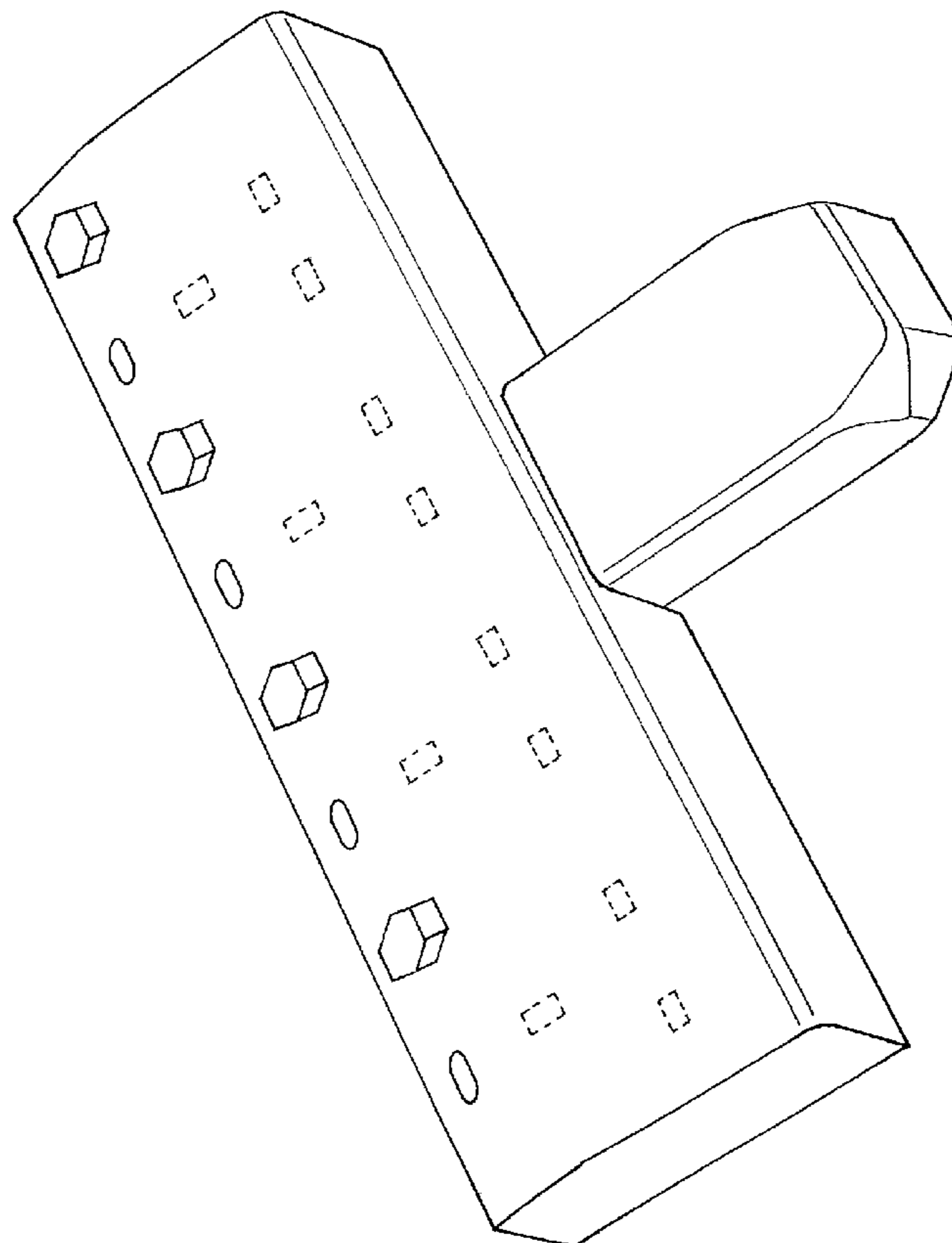
\* cited by examiner

FIG. 9 is a front, right, perspective view showing an embodiment of the invention in use.

*Primary Examiner*—Rosemary K Tarcza  
(74) *Attorney, Agent, or Firm*—Lowe Hauptman Ham & Berner, LLP

The broken lines shown in the drawings are included for the purpose of illustrating environmental structure and form no part of the claimed design.

**1 Claim, 9 Drawing Sheets**



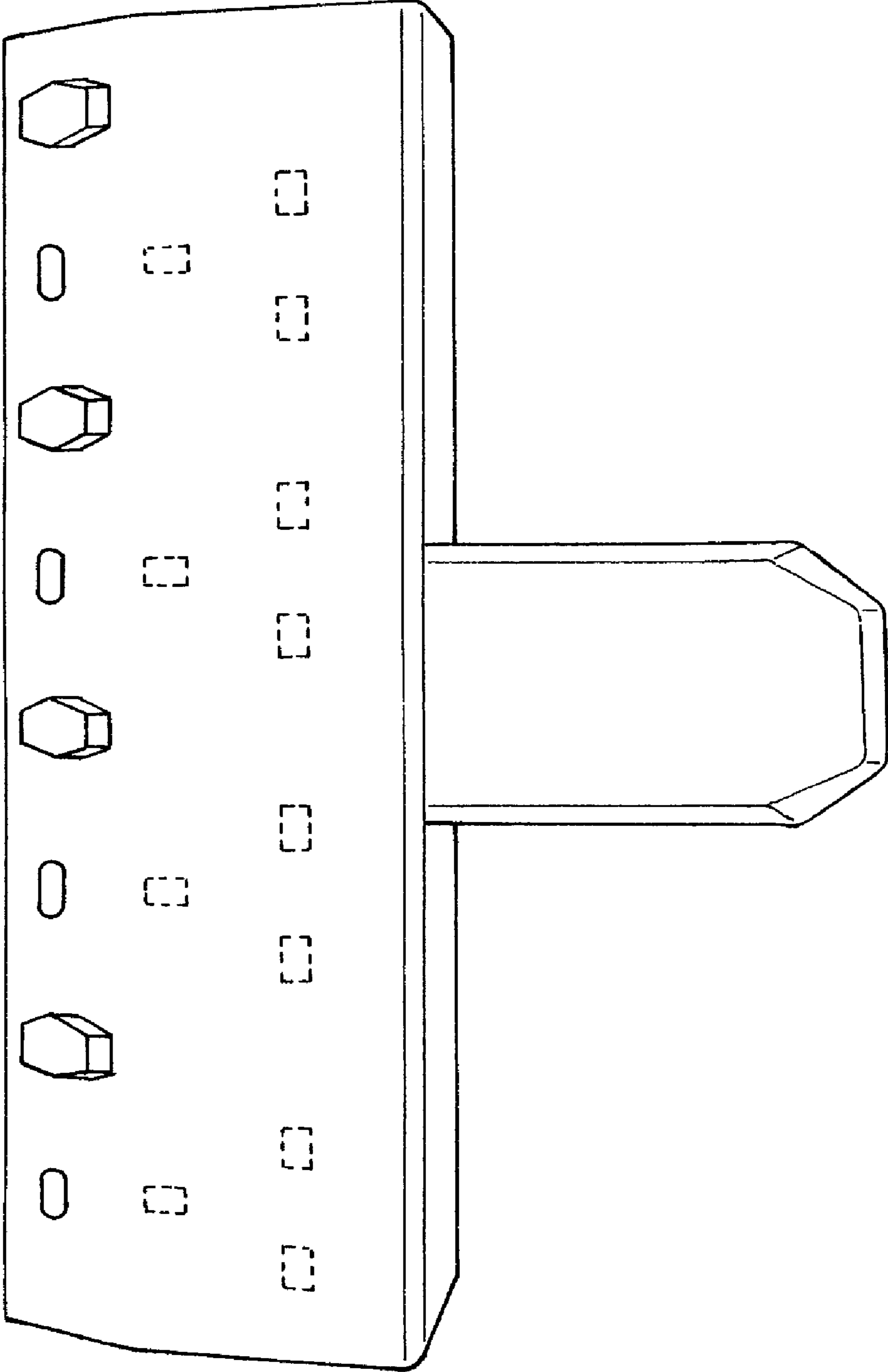


FIG. 1

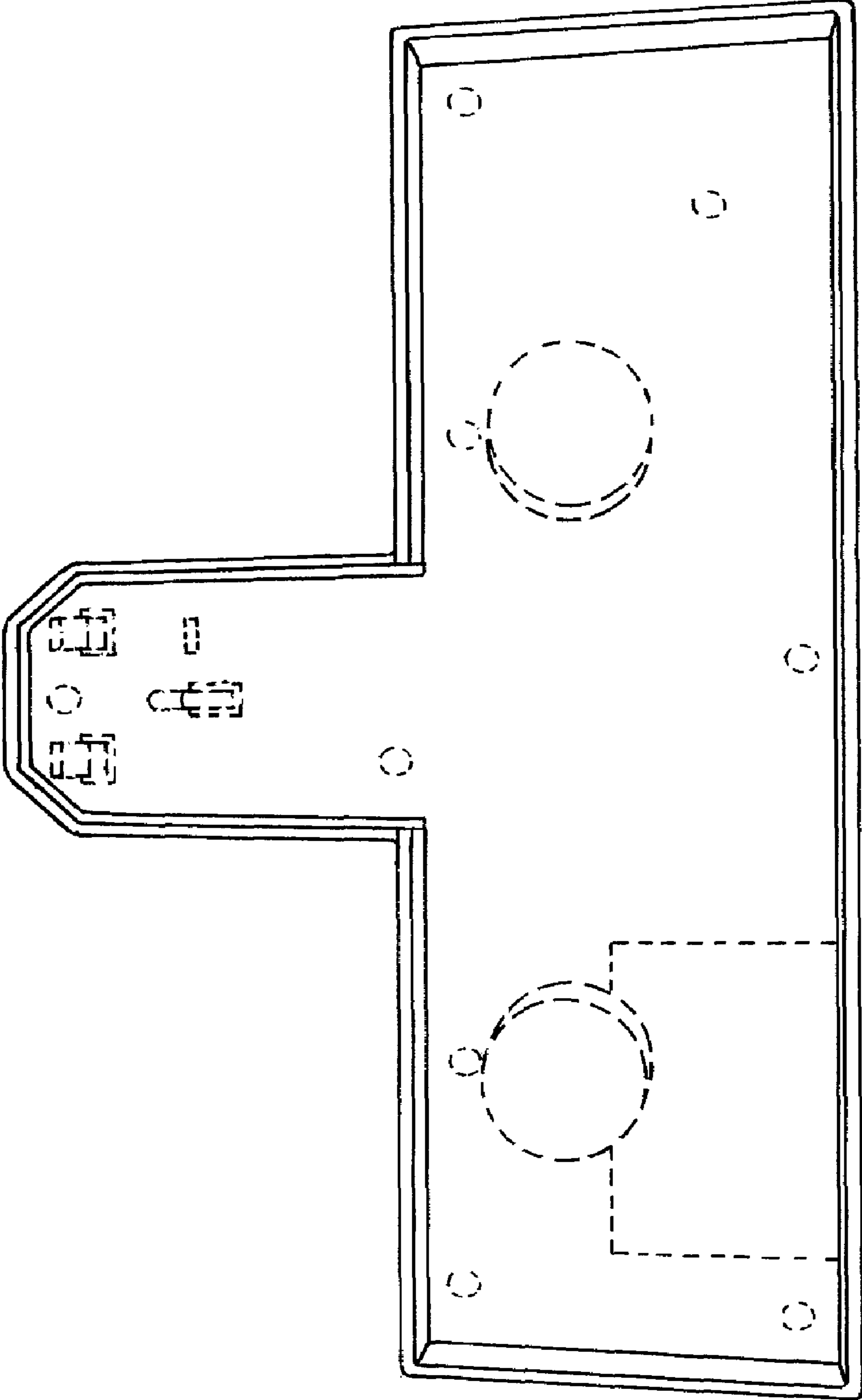


FIG. 2

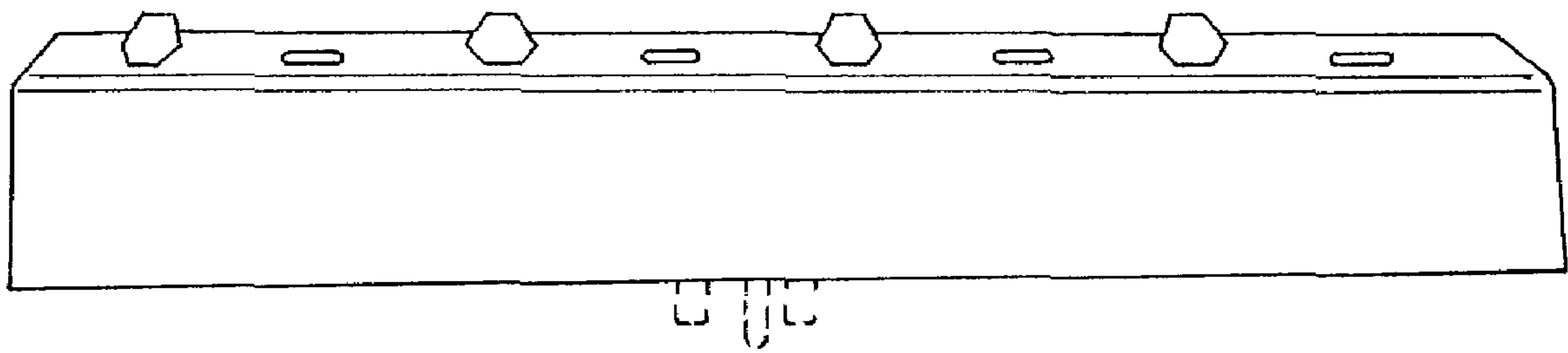


FIG. 3

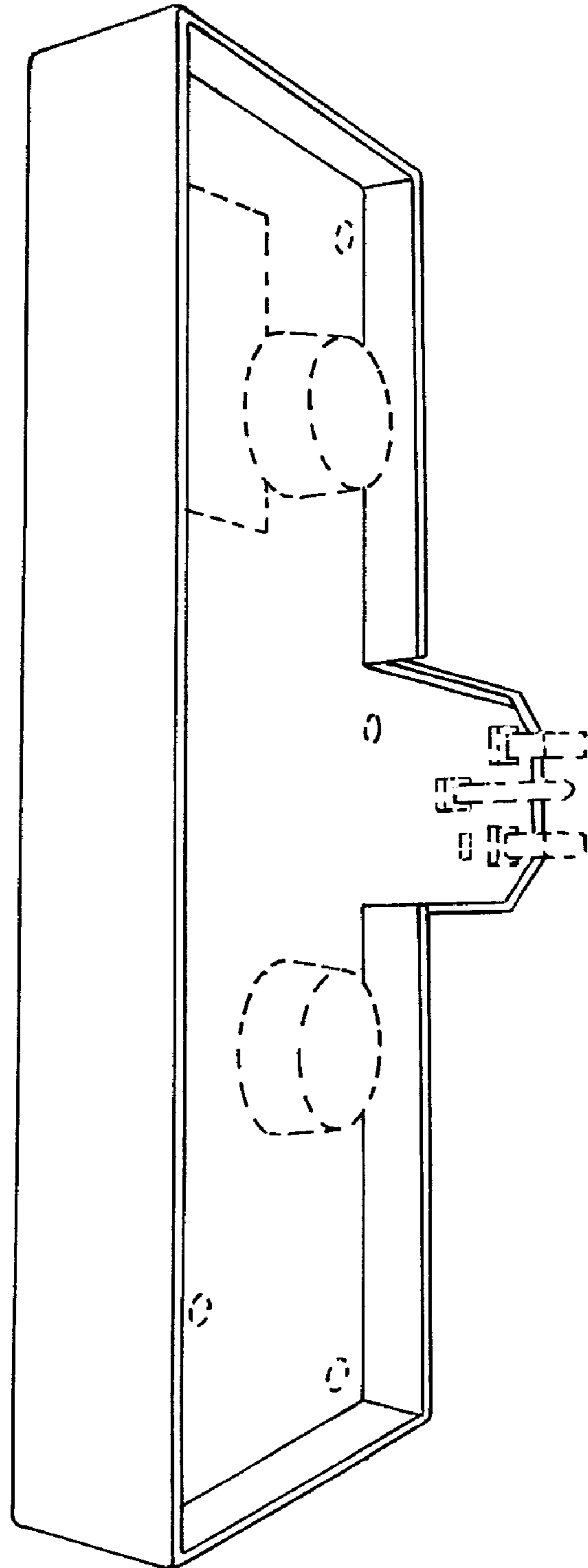


FIG. 4

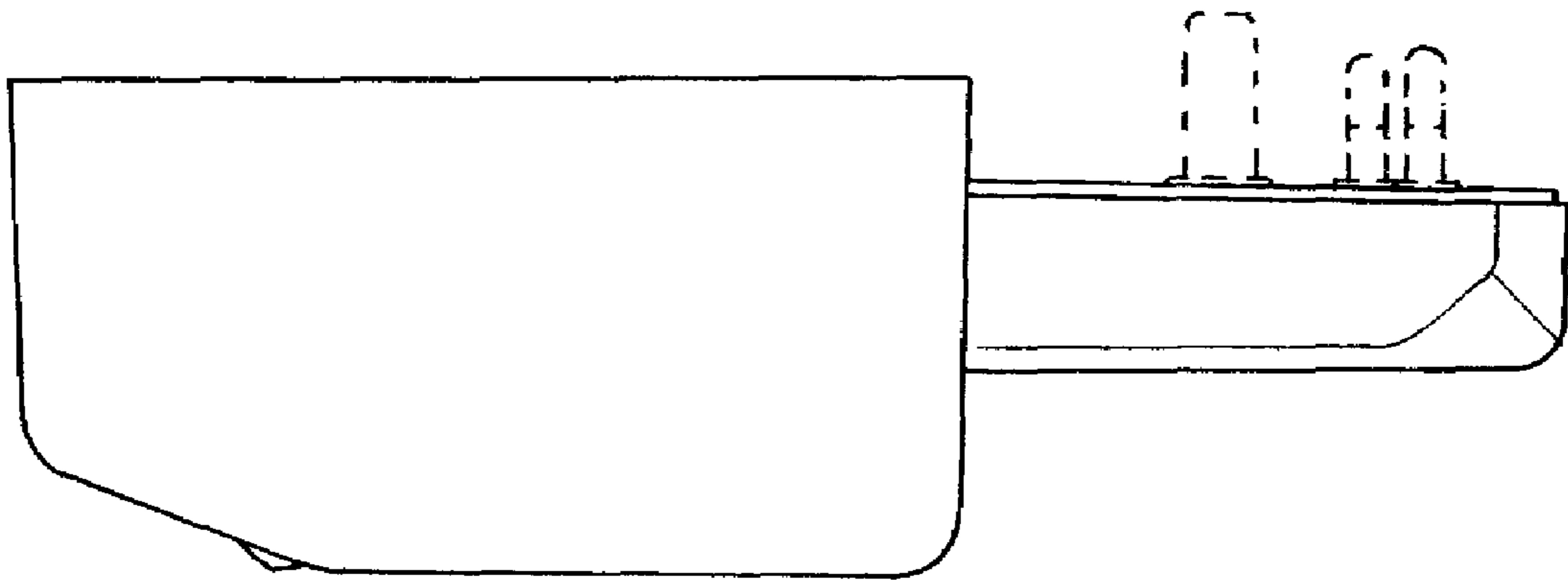


FIG. 5

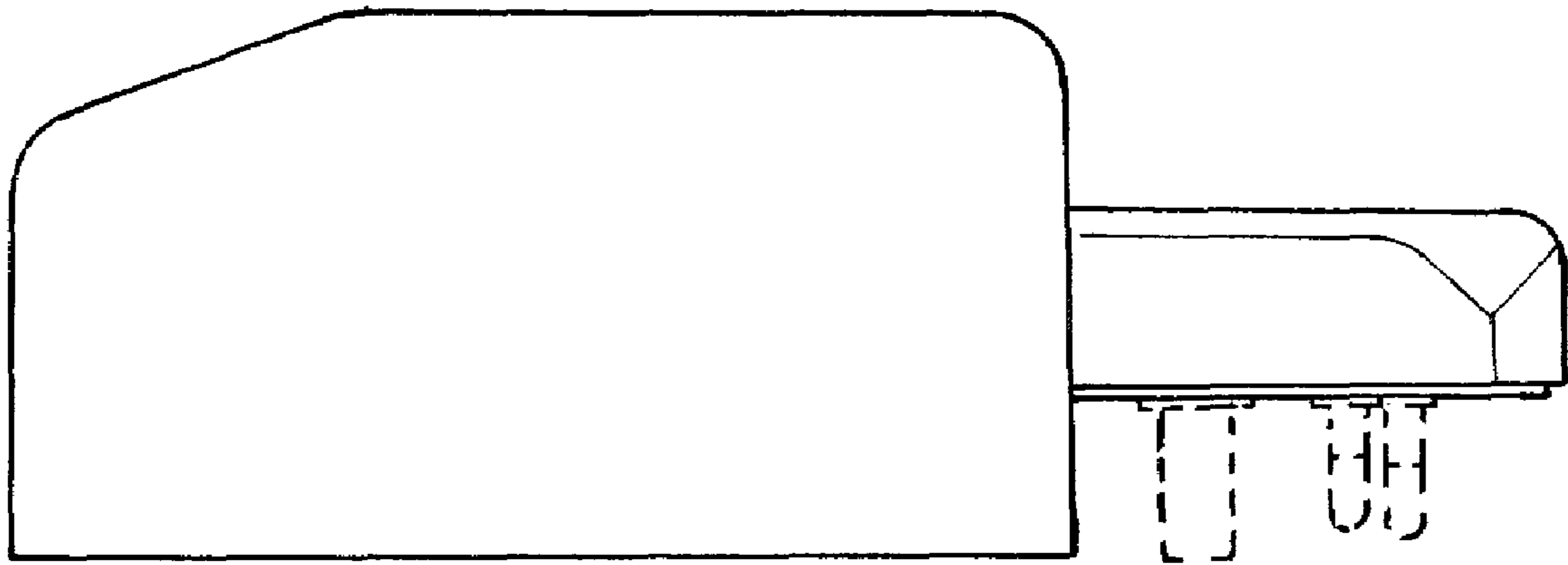


FIG. 6

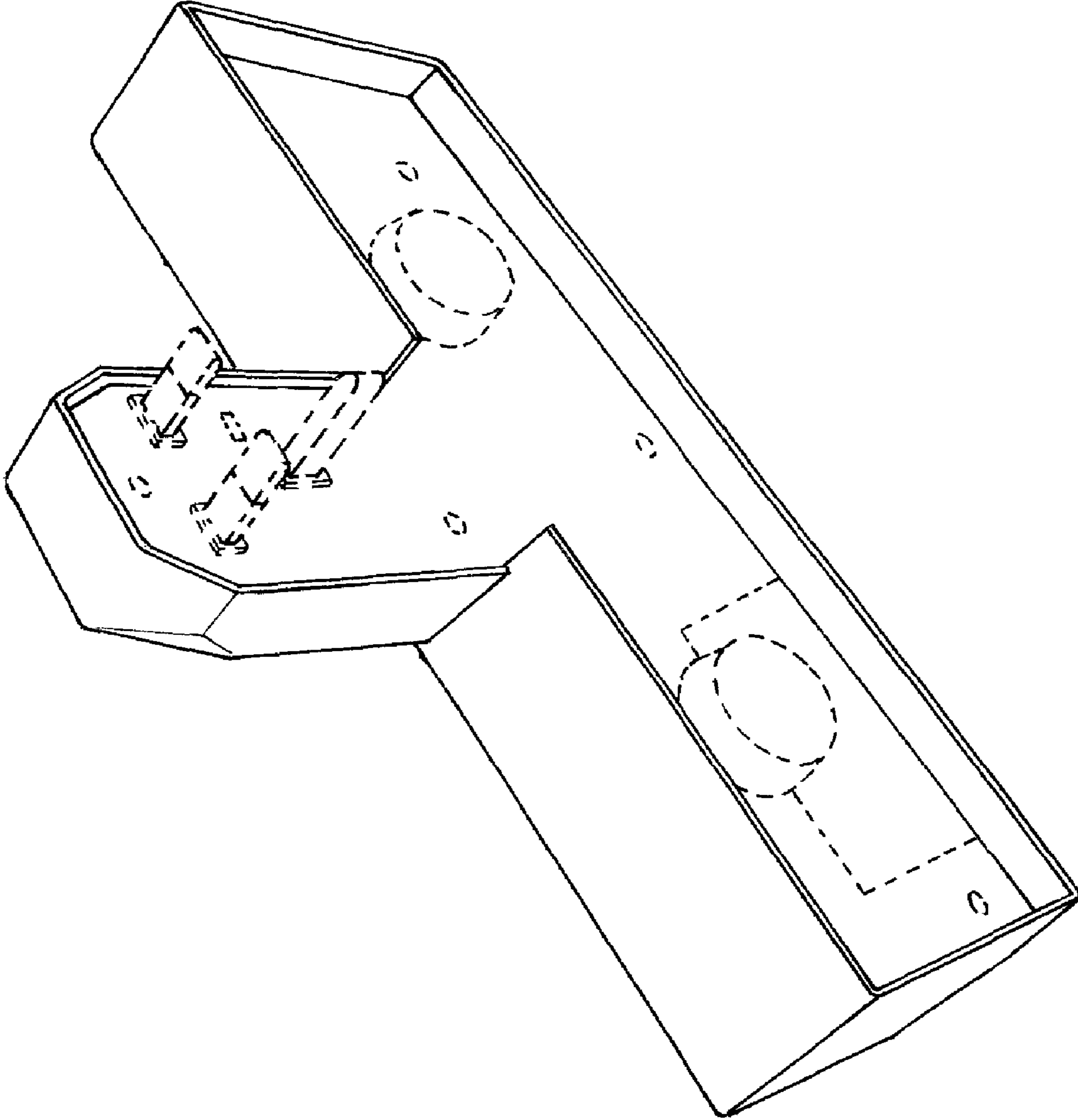


FIG. 7



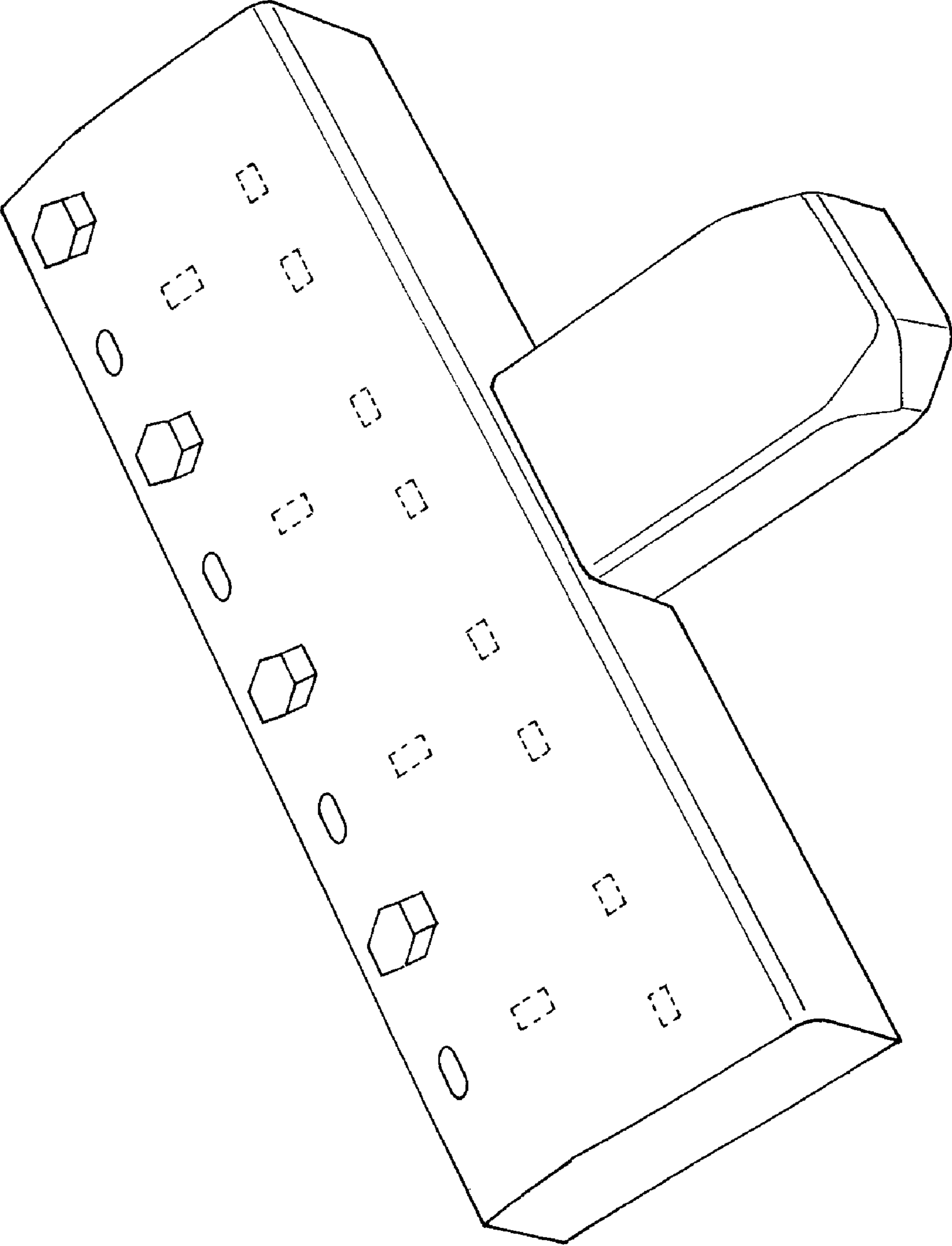


FIG. 8

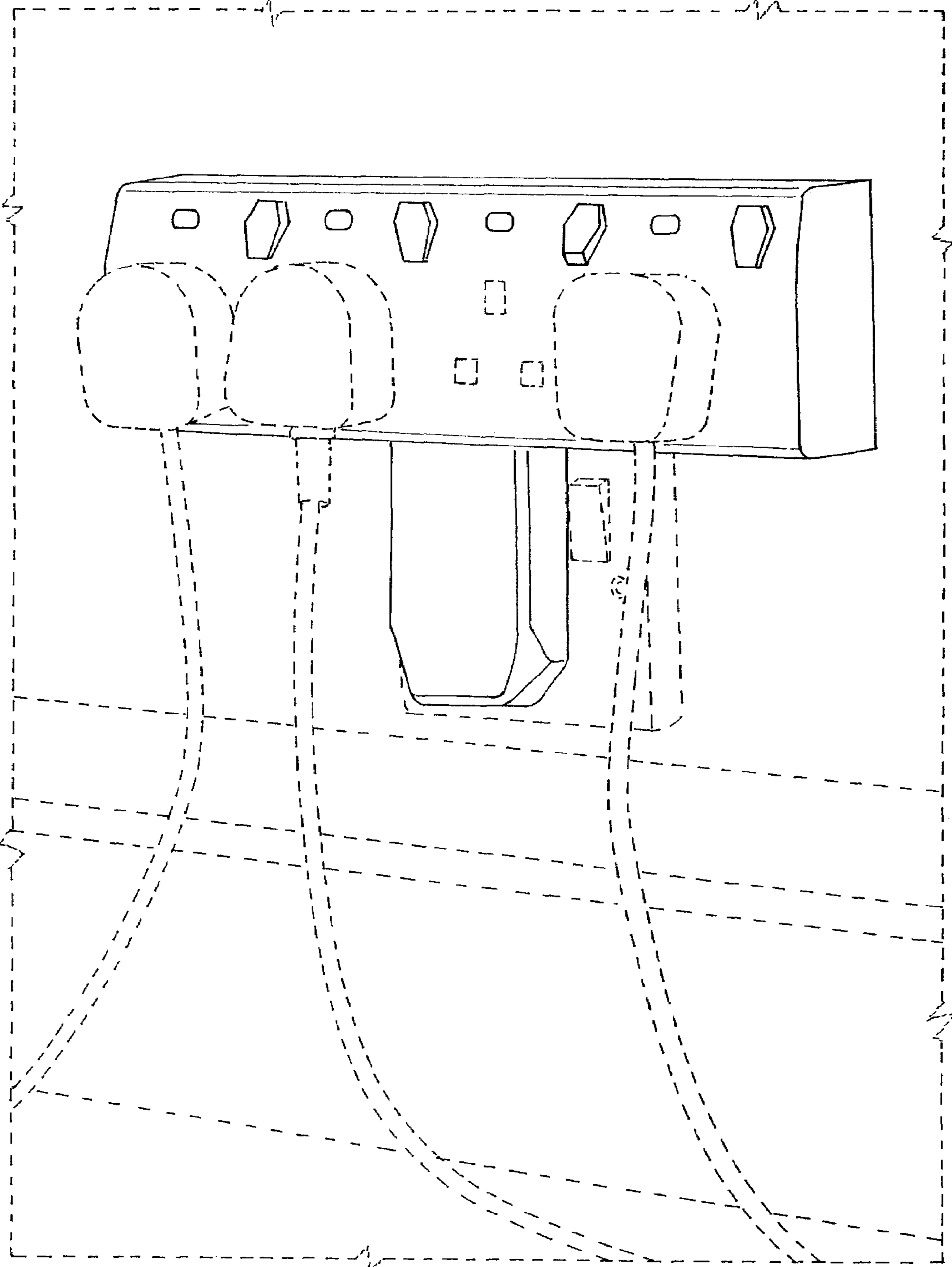


FIG. 9