



US00D615040S

(12) **United States Design Patent**
Slippy et al.

(10) **Patent No.:** **US D615,040 S**

(45) **Date of Patent:** **** May 4, 2010**

(54) **ELECTRICAL CONNECTOR**

(75) Inventors: **Gordon Slippy**, Murrysville, PA (US);
Donald E. Hines, Butler, PA (US);
Charles Amurgis, Mars, PA (US); **Jon**
J. Danzak, Pittsburgh, PA (US)

(73) Assignee: **Vocollect, Inc.**, Pittsburgh, PA (US)

(**) Term: **14 Years**

(21) Appl. No.: **29/343,217**

(22) Filed: **Sep. 9, 2009**

(51) **LOC (9) Cl.** **13-03**

(52) **U.S. Cl.** **D13/133**

(58) **Field of Classification Search** D13/118-129,
D13/133, 146-147, 154, 156, 184, 199; 439/350,
439/352, 353, 358, 433, 447, 483, 582-583,
439/606-610, 660, 668, 669, 675, 677, 676,
439/680-682, 687, 694, 750

See application file for complete search history.

(56) **References Cited**

U.S. PATENT DOCUMENTS

1,753,317 A	4/1930	Rothen
2,170,287 A	8/1939	Kinnebrew
2,369,860 A	2/1945	Schroeder
2,741,194 A	4/1956	Dorey
3,363,214 A	1/1968	Wright
3,781,039 A	12/1973	Edwards et al.
3,786,397 A	1/1974	Bridges
3,808,577 A	4/1974	Mathauser
3,964,771 A	6/1976	Baudouin
D240,433 S	7/1976	Krapowicz
4,068,913 A	1/1978	Stanger
4,558,864 A	12/1985	Medwedeff

(Continued)

FOREIGN PATENT DOCUMENTS

DE 4111049 10/1991

OTHER PUBLICATIONS

C:\Documents and Settings\ldaniel\Application
Data\LexisNexis\PatentOptimizer\temp\idsAnswer.xml.

(Continued)

Primary Examiner—Rosemary K Tarcza

(74) *Attorney, Agent, or Firm*—Wood, Herron & Evans, LLP

(57) **CLAIM**

The ornamental design for an electrical connector, as shown and described.

DESCRIPTION

FIG. 1 is a front perspective view of the invention;

FIG. 2 is another perspective view of the invention of FIG. 1;

FIG. 3 is a front elevational view of the invention of FIG. 2;

FIG. 4 is a cross-sectional view of the invention along line 4—4 in FIG. 3;

FIG. 5 is a right side elevational view of FIG. 2, with the left side elevational view being a mirror image;

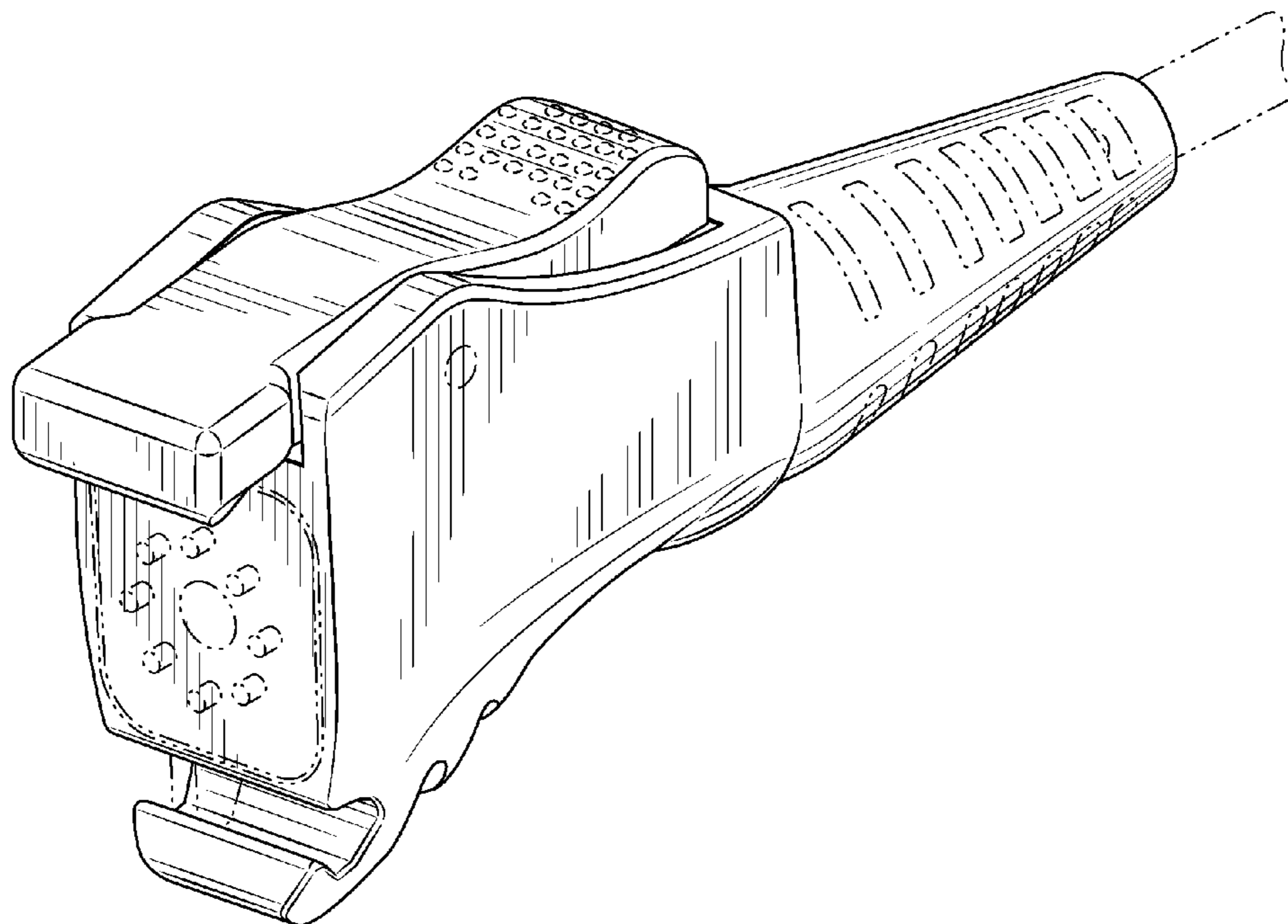
FIG. 6 is a rear elevational view of FIG. 2;

FIG. 7 is a top view of FIG. 2; and,

FIG. 8 is a bottom view of FIG. 2.

The broken lines shown in FIGS. 1 and 4 of the drawings are included for the purpose of illustrating environmental structure and form no part of the claimed design.

1 Claim, 5 Drawing Sheets



US D615,040 S

Page 2

U.S. PATENT DOCUMENTS

4,601,528	A *	7/1986	Spier	439/148	
D285,439	S	9/1986	Nagele		
4,619,491	A	10/1986	Drogo		
4,620,760	A	11/1986	Duncan		
4,649,332	A	3/1987	Bell		
4,698,717	A	10/1987	Scheid		
D300,921	S *	5/1989	Tetreault	D13/154	
4,846,714	A	7/1989	Welsby		
4,874,316	A	10/1989	Kamon et al.		
D310,367	S	9/1990	Dockery		
D315,719	S *	3/1991	Cusumano et al.	D13/154	
5,024,604	A	6/1991	Savin		
5,052,943	A	10/1991	Davis		
5,186,647	A	2/1993	Denkmann et al.		
5,187,645	A	2/1993	Spalding et al.		
D336,417	S	6/1993	Yuen		
5,269,708	A	12/1993	DeYoung		
5,299,956	A	4/1994	Brownell		
5,310,363	A	5/1994	Brownell		
D349,099	S *	7/1994	Robertson et al.	D13/147	
5,326,284	A	7/1994	Bohbot		
5,341,419	A	8/1994	Ferry		
5,362,257	A	11/1994	Neal et al.		
5,371,679	A	12/1994	Abe et al.		
5,393,239	A	2/1995	Ursich		
D356,543	S *	3/1995	Hoffman	D13/133	
5,399,102	A	3/1995	Devine		
5,399,107	A	3/1995	Gentry		
D357,898	S *	5/1995	Richards et al.	D13/133	
5,414,393	A	5/1995	Rose		
5,432,484	A	7/1995	Klas		
5,456,611	A	10/1995	Henry		
5,462,452	A	10/1995	Devine		
5,478,252	A	12/1995	Lecomte		
5,480,313	A	1/1996	d'Alayer de Costemore d'Arc		
D368,260	S	3/1996	Oschmann		
5,501,571	A	3/1996	Van Durrett et al.		
5,513,065	A	4/1996	Caveney et al.		
5,517,683	A	5/1996	Collett		
5,547,405	A	8/1996	Pinney		
5,586,914	A	12/1996	Foster		
5,599,209	A	2/1997	Belopolsky		
5,618,185	A	4/1997	Aekins		
5,639,256	A	6/1997	Endo et al.		
5,647,770	A	7/1997	Belopolsky		
5,657,459	A	8/1997	Yanagisawa et al.		
5,665,485	A	9/1997	Kuwayama et al.		
5,674,093	A	10/1997	Vaden		
5,687,478	A	11/1997	Belopolsky		
D388,053	S *	12/1997	Robertson et al.	D13/133	
5,697,817	A	12/1997	Bouchan		
D391,937	S	3/1998	Rosen		
5,759,070	A	6/1998	Belopolsky		
5,779,503	A	7/1998	Tremblay et al.		
5,803,750	A	9/1998	Purington et al.		
5,864,089	A	1/1999	Rainal		
D411,171	S	6/1999	Tai Muan		
5,911,602	A	6/1999	Vaden		
5,913,702	A	6/1999	Garcin		
5,931,703	A	8/1999	Aekins		
5,934,911	A	8/1999	Stout et al.		
5,938,479	A	8/1999	Paulson		
5,941,726	A	8/1999	Koegel		
5,941,729	A	8/1999	Sri-Jayantha		
D415,111	S *	10/1999	Lee	D13/154	
5,984,709	A	11/1999	Zink et al.		
5,993,246	A	11/1999	Moldenhauer		
D420,325	S	2/2000	Sloey		
6,022,237	A	2/2000	Esh		
6,023,200	A	2/2000	Rhee		
6,062,891	A	5/2000	Villiers		
D426,190	S	6/2000	Higgins		
6,086,428	A	7/2000	Pharney et al.		
6,089,923	A	7/2000	Phommachanh		
6,120,329	A	9/2000	Steinman		
6,149,451	A	11/2000	Weber		
6,155,881	A	12/2000	Arnett et al.		
D438,169	S	2/2001	Minagawa et al.		
6,186,834	B1	2/2001	Arnett et al.		
6,186,836	B1	2/2001	Ezawa		
6,213,808	B1	4/2001	Whatmore		
6,226,622	B1	5/2001	Dabbieri		
6,231,397	B1	5/2001	de la Borbolla et al.		
6,237,051	B1	5/2001	Collins		
6,280,256	B1	8/2001	Belopolsky		
6,290,529	B1	9/2001	Tsurumaru et al.		
6,290,546	B1	9/2001	Pharney		
6,304,436	B1	10/2001	Branch et al.		
6,310,888	B1	10/2001	Hamlin		
6,339,764	B1	1/2002	Livesay et al.		
6,346,010	B1	2/2002	Emplit		
6,361,354	B1	3/2002	Viklund		
D455,431	S	4/2002	Freitag et al.		
6,364,675	B1	4/2002	Brauer		
6,366,450	B1	4/2002	Janicek		
6,368,144	B2	4/2002	Viklund		
6,409,547	B1	6/2002	Reede		
D460,761	S	7/2002	Croley		
D463,359	S	9/2002	Nawrozki		
6,443,777	B1	9/2002	McCurdy et al.		
6,454,608	B1	9/2002	Kitahara		
D465,223	S	11/2002	Milan		
6,476,318	B1 *	11/2002	Lee	174/59	
6,483,698	B1	11/2002	Loh		
D469,761	S	2/2003	Nussberger		
D473,515	S	4/2003	Salazar et al.		
D474,736	S	5/2003	Sagawa		
D476,359	S	6/2003	Mittler		
6,579,116	B2	6/2003	Brennan et al.		
D477,604	S	7/2003	Lin		
6,597,577	B1	7/2003	Tang et al.		
D480,074	S	9/2003	Tuhkanen		
D481,674	S	11/2003	Sade		
D487,470	S	3/2004	Cobigo		
D491,186	S	6/2004	Arakaki et al.		
6,786,743	B2	9/2004	Huang		
D503,152	S *	3/2005	Suckle et al.	D13/154	
6,910,911	B2	6/2005	Mellott et al.		
6,910,922	B2	6/2005	Haga		
D507,794	S	7/2005	Wang		
6,957,577	B1	10/2005	Firmin		
D514,524	S *	2/2006	Suckle	D13/156	
D524,731	S	7/2006	Navarrez		
D525,581	S	7/2006	Rad		
D527,712	S	9/2006	Indio da Costa		
D543,148	S	5/2007	Suckle		
D550,158	S *	9/2007	Victor	D13/146	
D551,628	S *	9/2007	Meier et al.	D13/154	
D554,642	S	11/2007	Suwalski et al.		
D562,761	S	2/2008	Ueda		
D564,966	S *	3/2008	Shifris	D13/147	
D569,848	S	5/2008	Suzuki		
D571,289	S	6/2008	Michaeli		
D572,230	S	7/2008	Neu et al.		
7,442,060	B2	10/2008	Suwalski et al.		
D585,896	S	2/2009	Wahl		
2005/0095899	A1	5/2005	Mellott et al.		

OTHER PUBLICATIONS

Photographs of Vocollect Talkman T2x Wearable Computer (circa 2002)(2 pages).

* cited by examiner

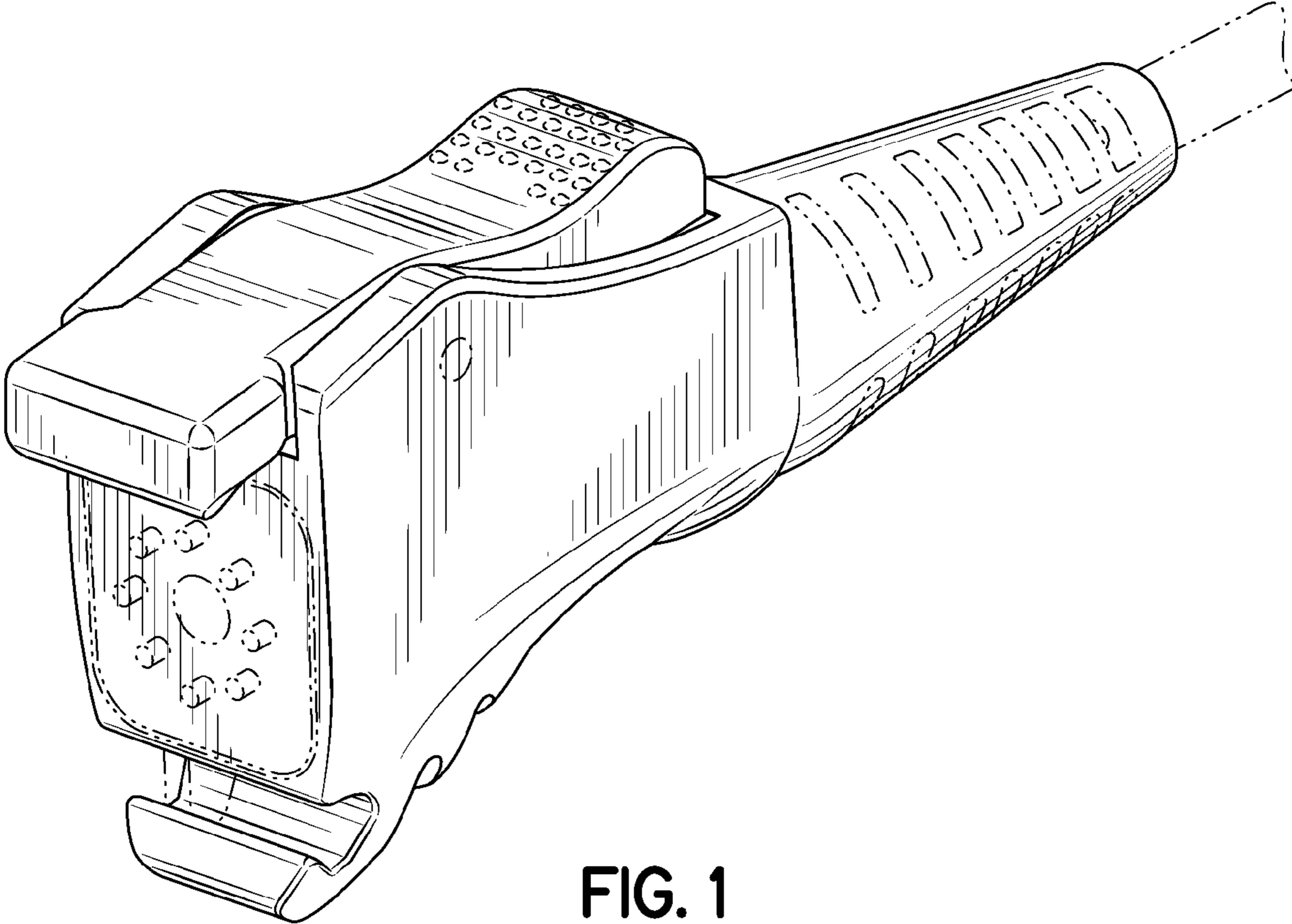


FIG. 1

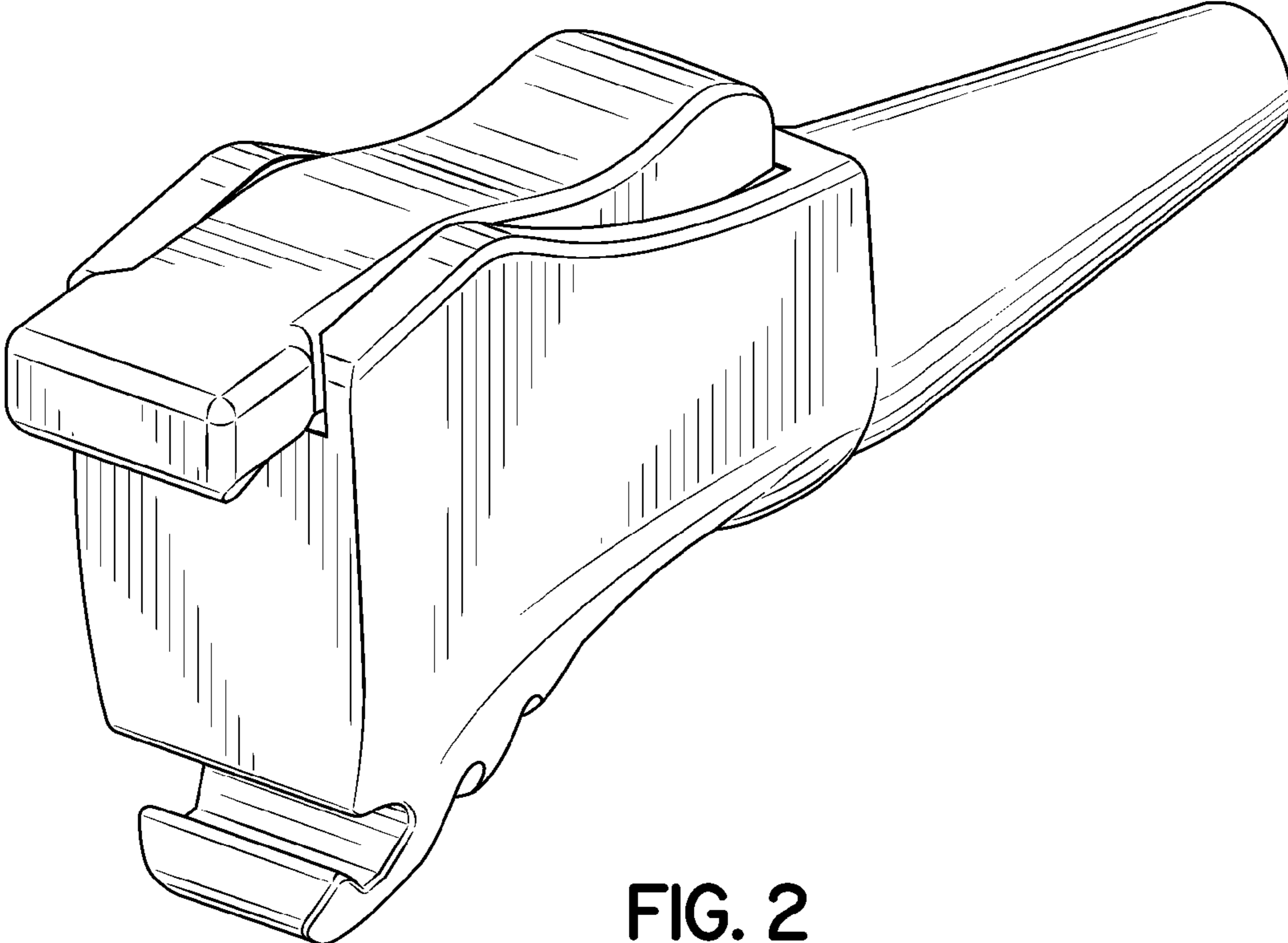
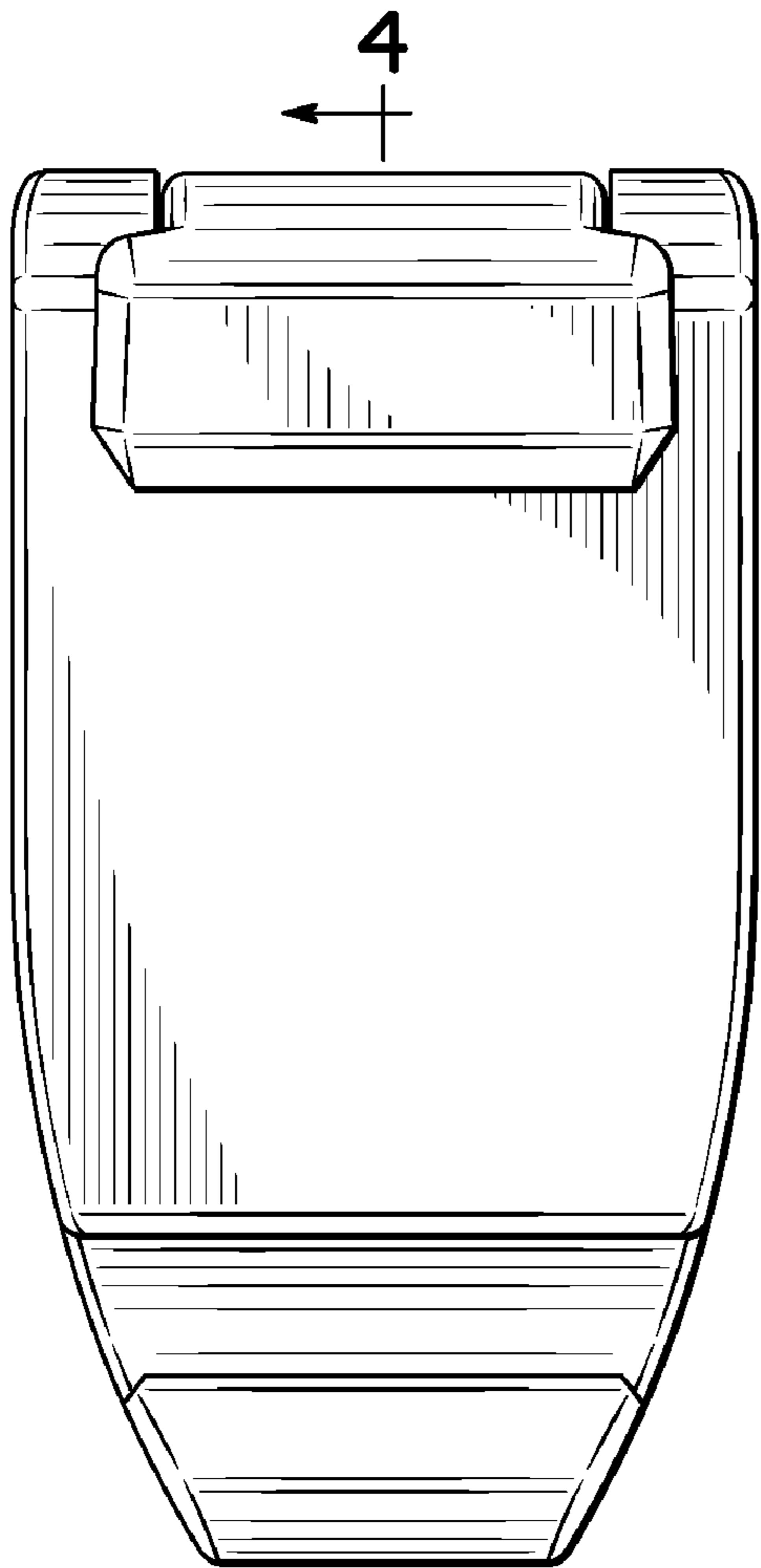


FIG. 2



4
FIG. 3

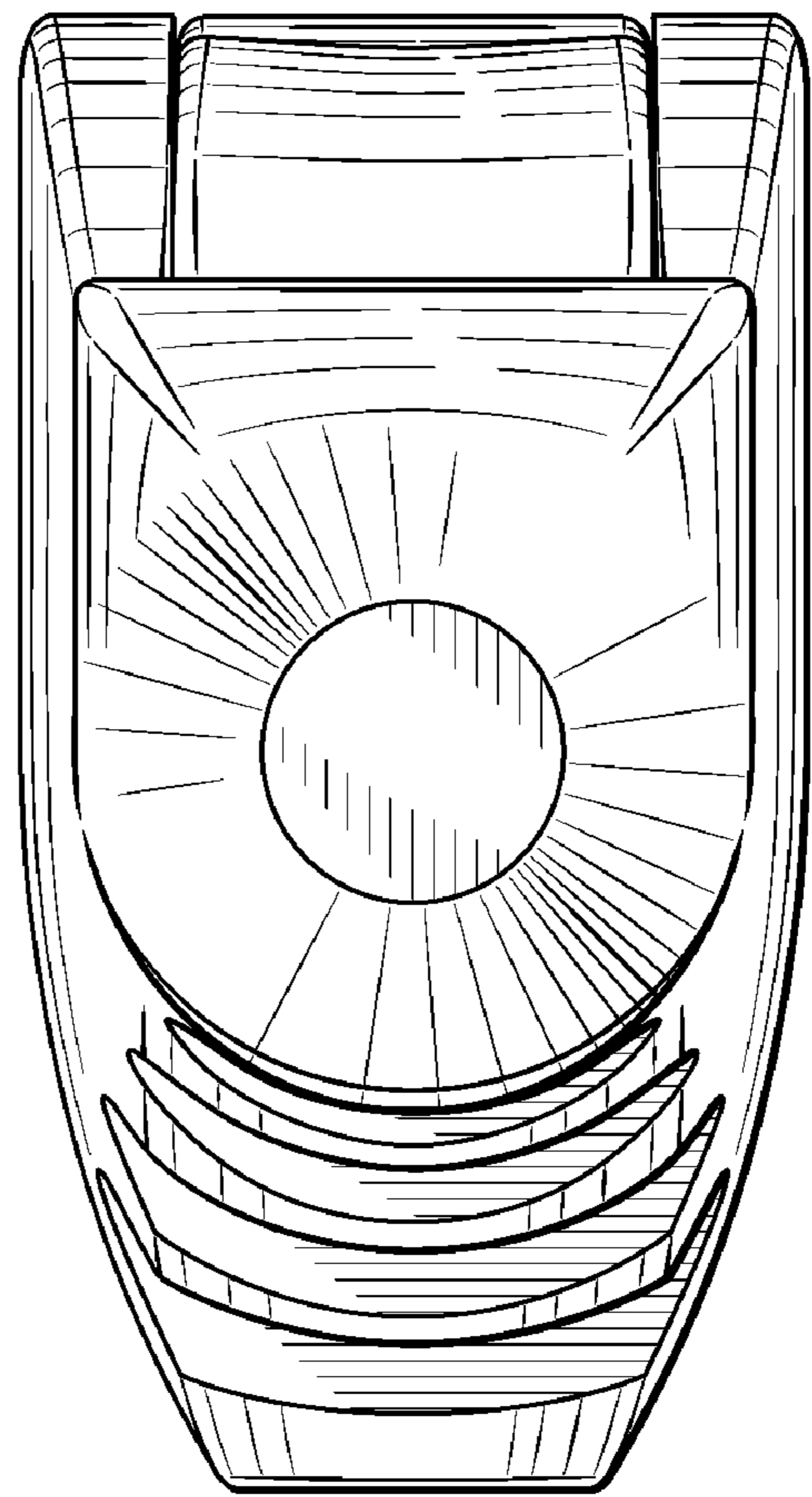


FIG. 6

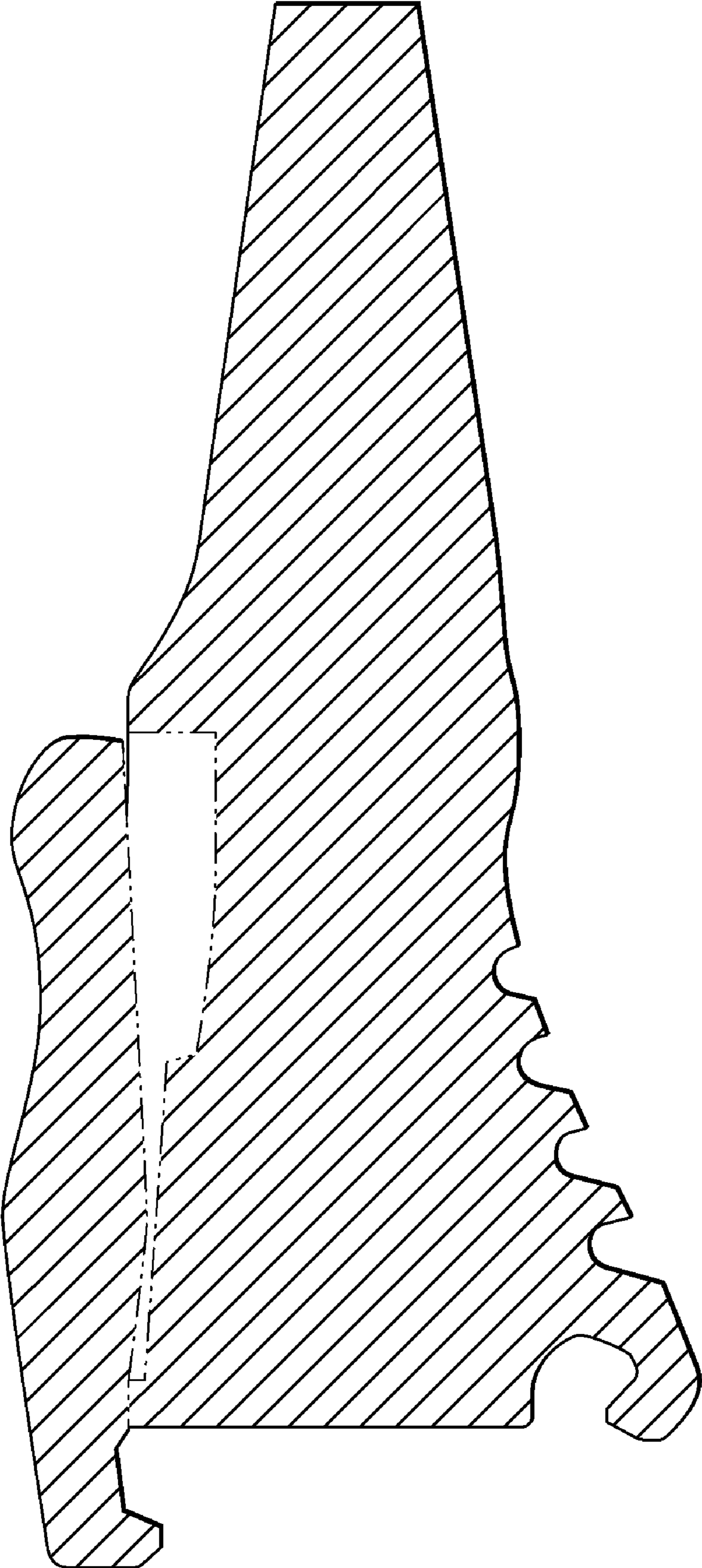


FIG. 4

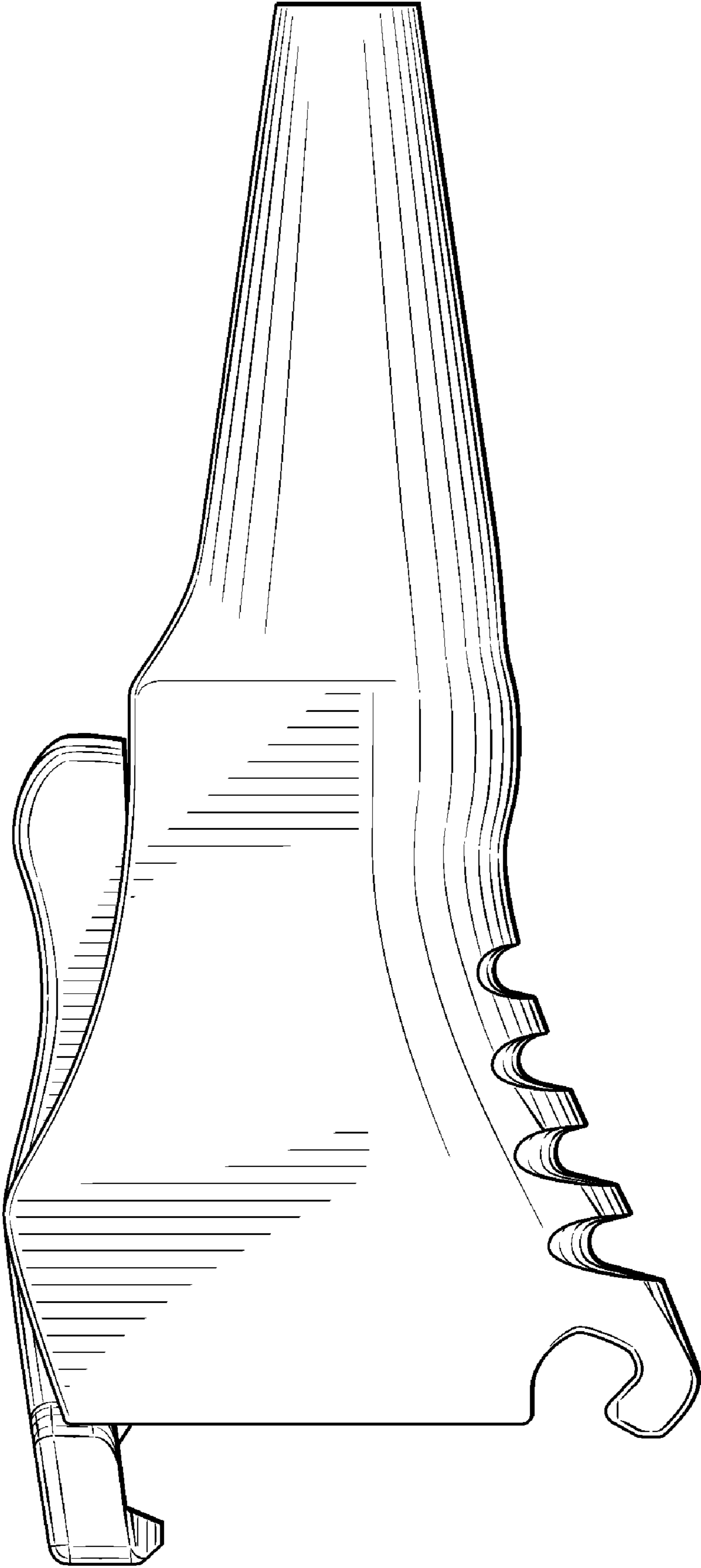


FIG. 5

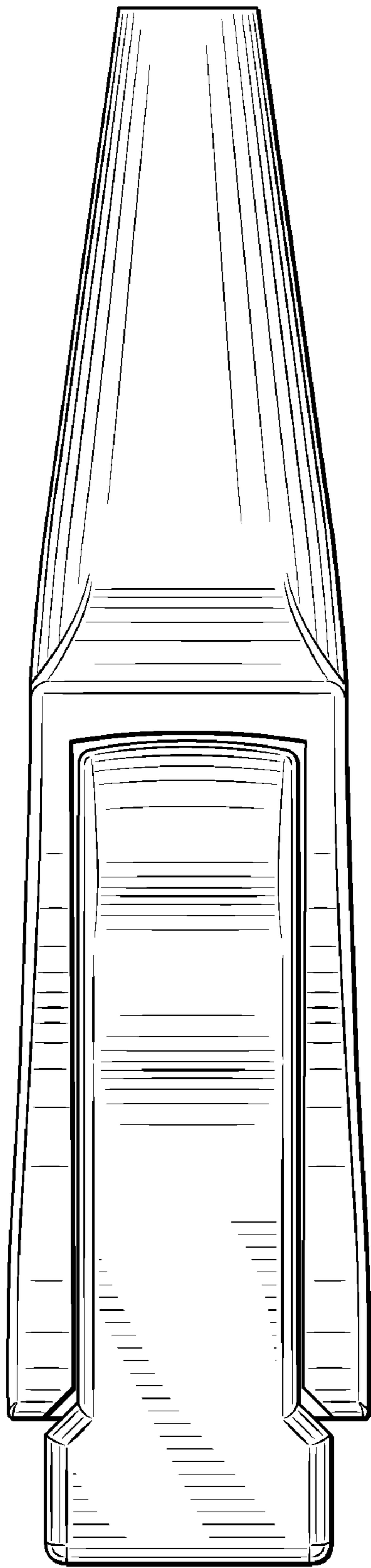


FIG. 7

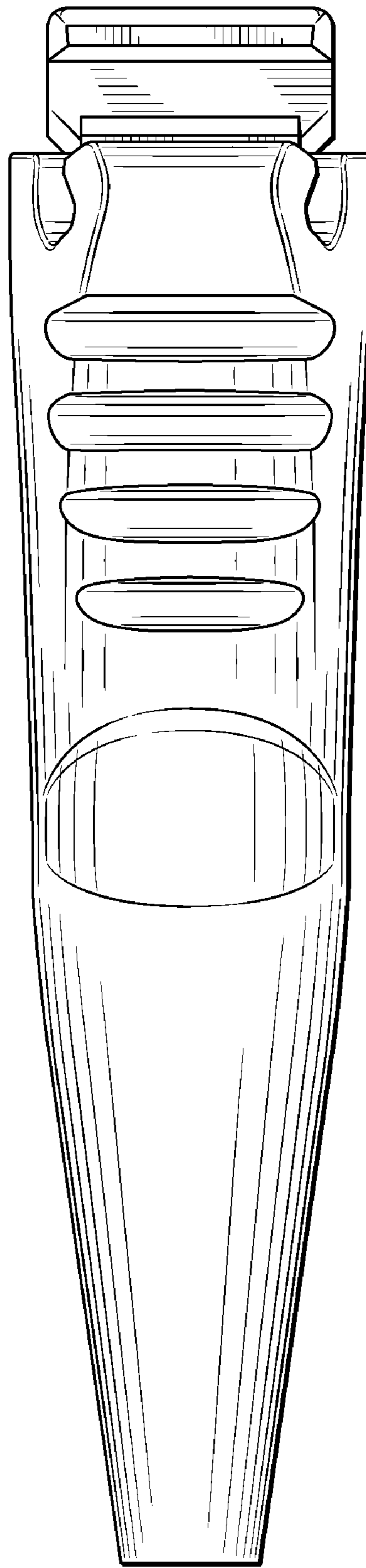


FIG. 8