



US00D615037S

(12) **United States Design Patent**  
**Liu et al.**

(10) **Patent No.:** **US D615,037 S**  
(45) **Date of Patent:** **\*\* May 4, 2010**

(54) **UNINTERRUPTIBLE POWER SUPPLY**

(75) Inventors: **Meng-Chang Liu**, Puli Township,  
Nantou County (TW); **Kyle Brookshire**,  
Belmont, MA (US); **Karl D. Langmuir**,  
Providence, RI (US)

(73) Assignee: **American Power Conversion  
Corporation**, West Kingston, RI (US)

(\*\*) Term: **14 Years**

(21) Appl. No.: **29/345,100**

(22) Filed: **Oct. 9, 2009**

**Related U.S. Application Data**

(62) Division of application No. 29/334,543, filed on Mar.  
27, 2009, now Pat. No. Des. 602,431.

(51) **LOC (9) Cl.** ..... **13-02**

(52) **U.S. Cl.** ..... **D13/110; D13/118**

(58) **Field of Classification Search** ..... D13/110,  
D13/112, 118, 123, 184, 199; D14/188,  
D14/265, 354, 355; 174/50, 53; 361/600,  
361/601, 622, 679, 683; 363/141, 144, 146,  
363/147

See application file for complete search history.

(56) **References Cited**

**U.S. PATENT DOCUMENTS**

D314,174 S 1/1991 Wong  
D376,347 S 12/1996 Mousa  
5,793,627 A \* 8/1998 Caldes et al. .... 363/146

D403,662 S \* 1/1999 Caldes et al. .... D13/110  
5,940,288 A \* 8/1999 Kociecki ..... 363/144  
D462,658 S \* 9/2002 Reynolds ..... D13/110  
D475,681 S 6/2003 Ho  
D506,976 S 7/2005 Dechene et al.  
D535,944 S 1/2007 Albano et al.  
D541,216 S 4/2007 Albano et al.  
D551,165 S 9/2007 Albano et al.  
D602,431 S 10/2009 Liu et al.

\* cited by examiner

*Primary Examiner*—Prabhakar Deshmukh

*Assistant Examiner*—Derrick Holland

(74) *Attorney, Agent, or Firm*—Lando & Anastasi, LLP

(57) **CLAIM**

The ornamental design for an uninterruptible power supply,  
as shown and described.

**DESCRIPTION**

FIG. 1 is a perspective view of an uninterruptible power  
supply showing our new design;

FIG. 2 is a front elevational view thereof;

FIG. 3 is a rear elevational view thereof;

FIG. 4 is a top plan view thereof;

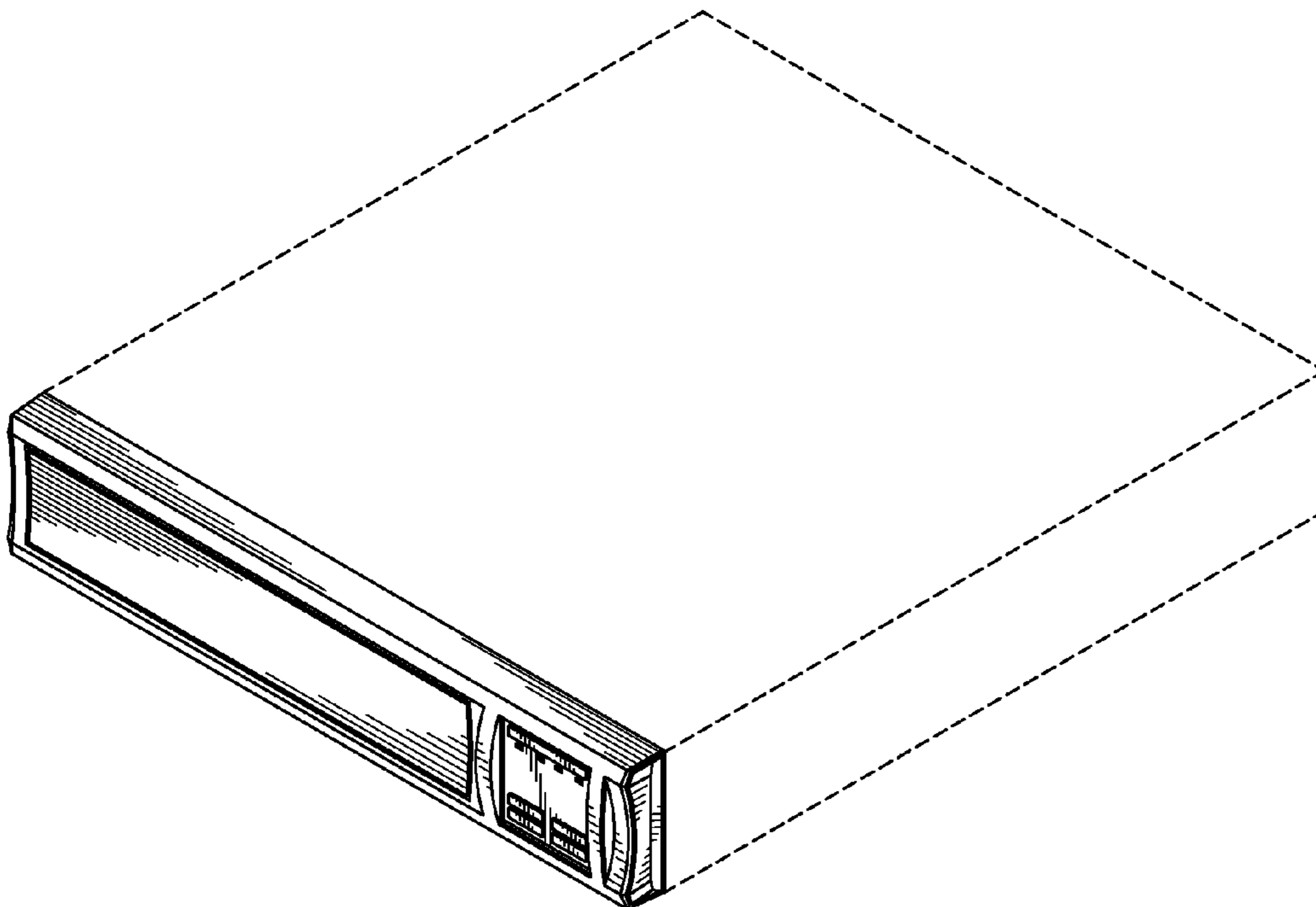
FIG. 5 is a bottom plan view thereof;

FIG. 6 is a left side elevational view thereof; and,

FIG. 7 is a right side elevational view thereof.

The broken lines shown represent unclaimed subject matter  
and form no part of the claimed design.

**1 Claim, 5 Drawing Sheets**



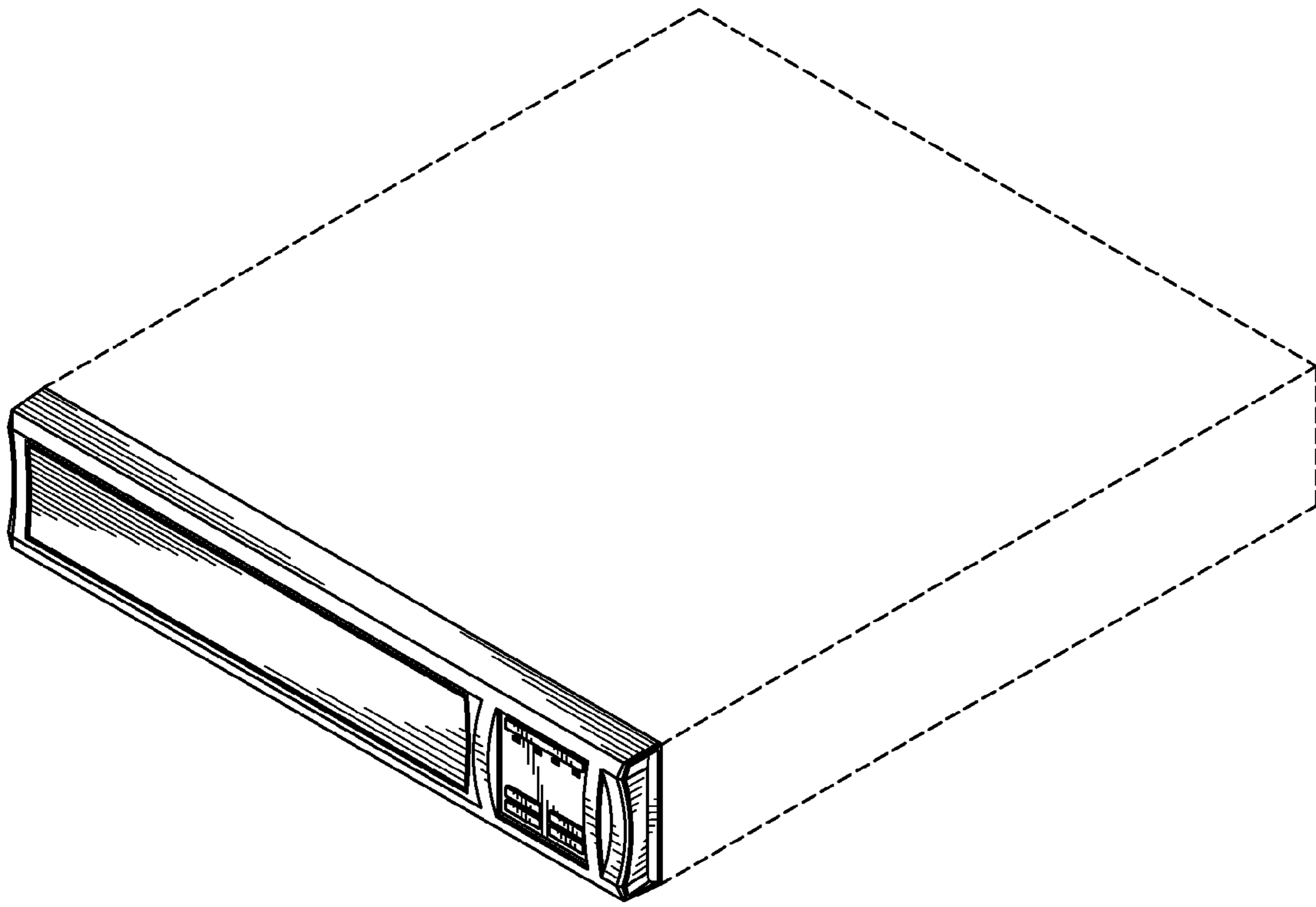


FIG. 1

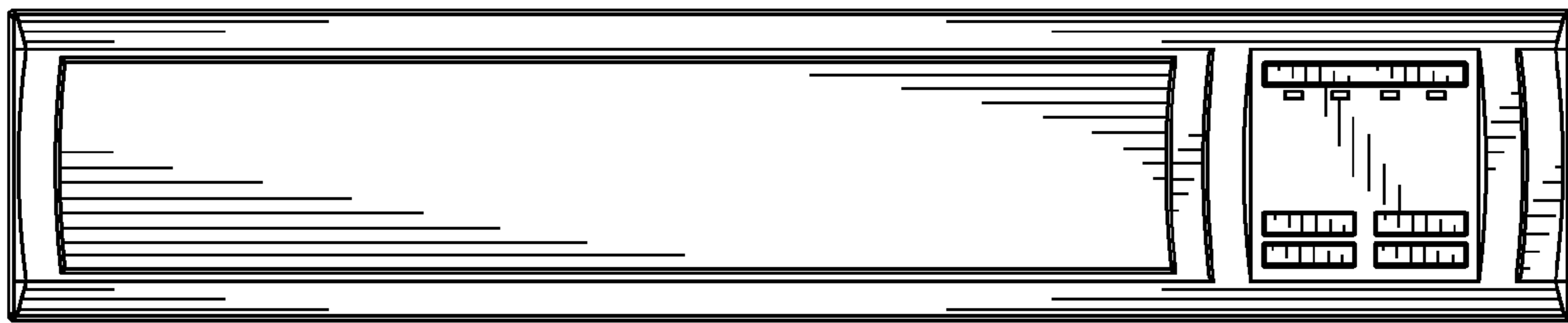


FIG. 2



FIG. 3

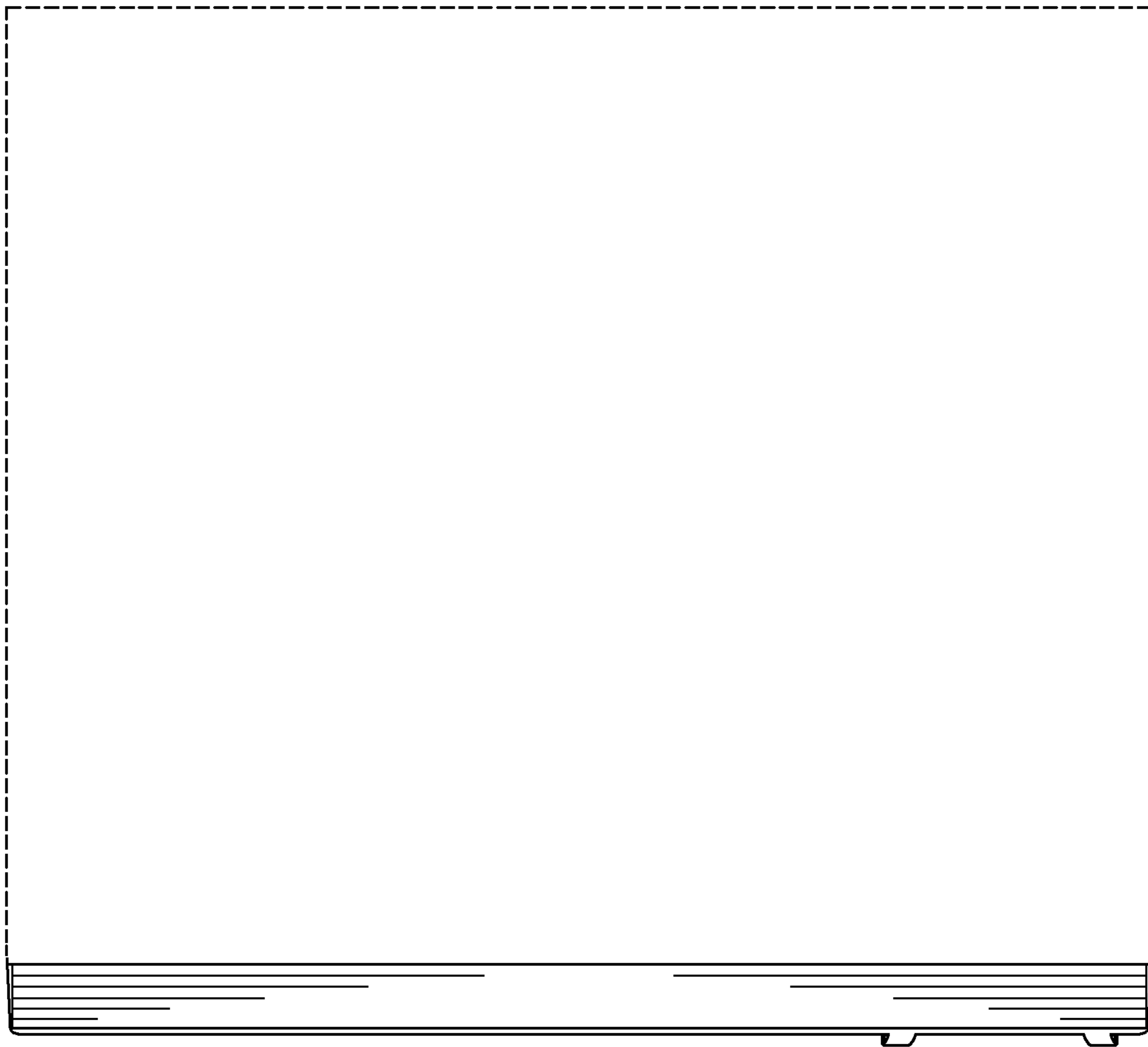


FIG. 4



FIG. 5



FIG. 6



FIG. 7