



US00D615034S

(12) **United States Design Patent**  
**Baker et al.**

(10) **Patent No.:** **US D615,034 S**

(45) **Date of Patent:** **\*\* May 4, 2010**

(54) **BATTERY CHARGER**

(75) Inventors: **Kathleen Ann Baker**, New Fairfield, CT (US); **Eric W. Olson**, Los Angeles, CA (US); **Jonathan Abarbanel**, Los Angeles, CA (US); **Stuart Karten**, Venice, CA (US); **Eric Schmid**, Culver City, CA (US); **Paul Kirley**, Los Angeles, CA (US)

(73) Assignee: **The Gillette Company**, Boston, MA (US)

(\*\*) Term: **14 Years**

(21) Appl. No.: **29/343,096**

(22) Filed: **Sep. 8, 2009**

(51) **LOC (9) Cl.** ..... **13-02**

(52) **U.S. Cl.** ..... **D13/107**

(58) **Field of Classification Search** ..... D13/107–110, D13/118–119, 184, 199; D14/251, 253, D14/432, 434; 320/107–115

See application file for complete search history.

(56) **References Cited**

**U.S. PATENT DOCUMENTS**

D350,113 S *	8/1994	Nagele	.....	D13/110
D401,554 S *	11/1998	Nagele et al.	.....	D13/119
D425,017 S *	5/2000	Leung	.....	D13/110
D446,185 S *	8/2001	Saastamoinen et al.	....	D13/108
D454,837 S *	3/2002	Ibuki et al.	.....	D13/107
D513,731 S	1/2006	Kang et al.		
D524,731 S *	7/2006	Navarrez et al.	.....	D13/108

D526,272 S *	8/2006	Sade et al.	.....	D13/108
D537,410 S *	2/2007	Yuen	.....	D13/110
D540,742 S	4/2007	Bell		
D562,231 S *	2/2008	Osiecki et al.	.....	D13/107
D564,960 S *	3/2008	Sacco et al.	.....	D13/107
D565,506 S *	4/2008	Sacco et al.	.....	D13/107
2006/0232243 A1	10/2006	Dabdoub et al.		

\* cited by examiner

*Primary Examiner*—Rosemary K Tarcza

(74) *Attorney, Agent, or Firm*—Kevin C. Johnson; Steven W. Miller

(57) **CLAIM**

The ornamental design for a battery charger, as shown and described.

**DESCRIPTION**

FIG. 1 is a perspective view of a battery charger showing our new design;

FIG. 2 is a front view of the design;

FIG. 3 is a rear view of the design;

FIG. 4 is a left side view of the design;

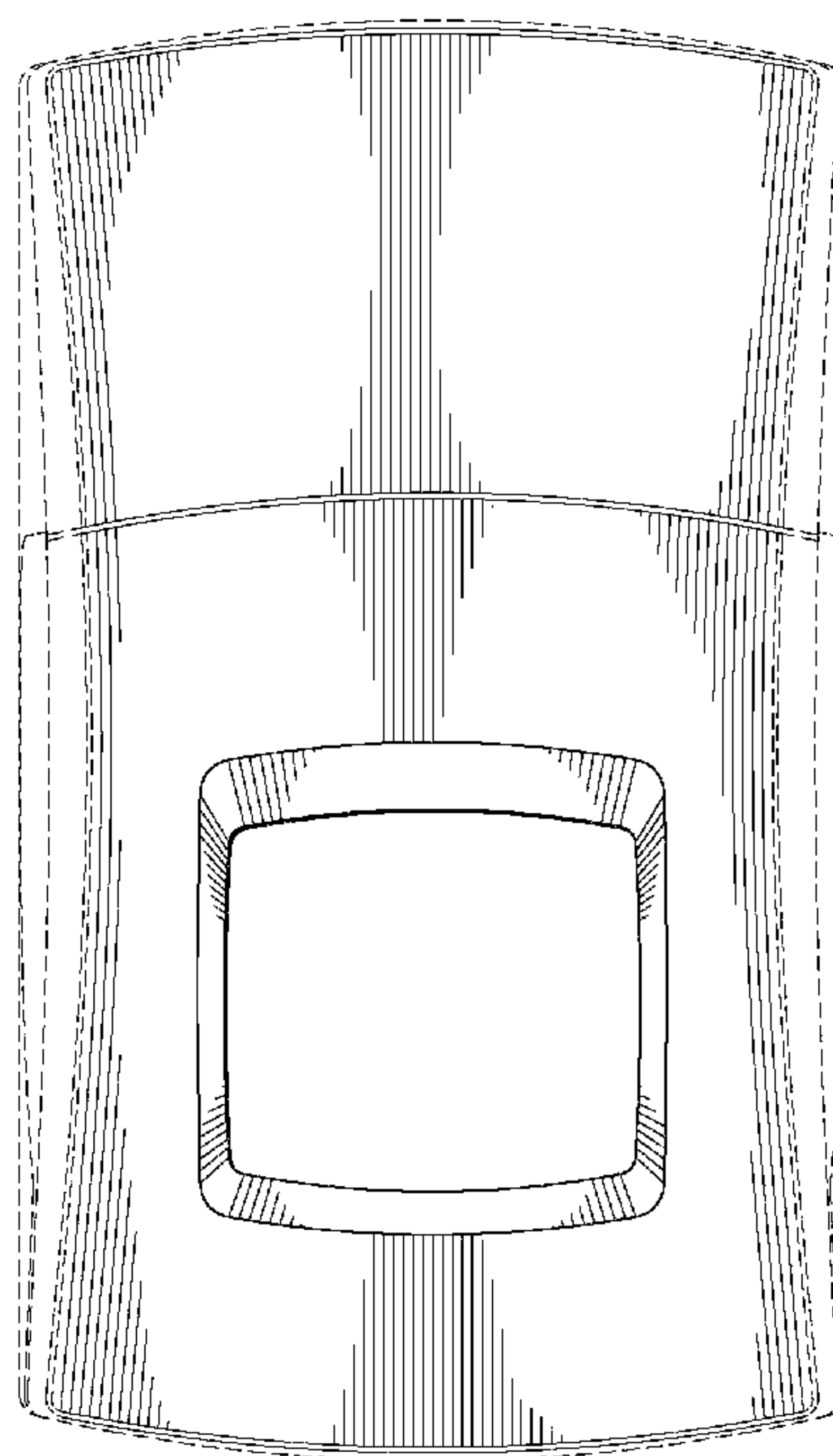
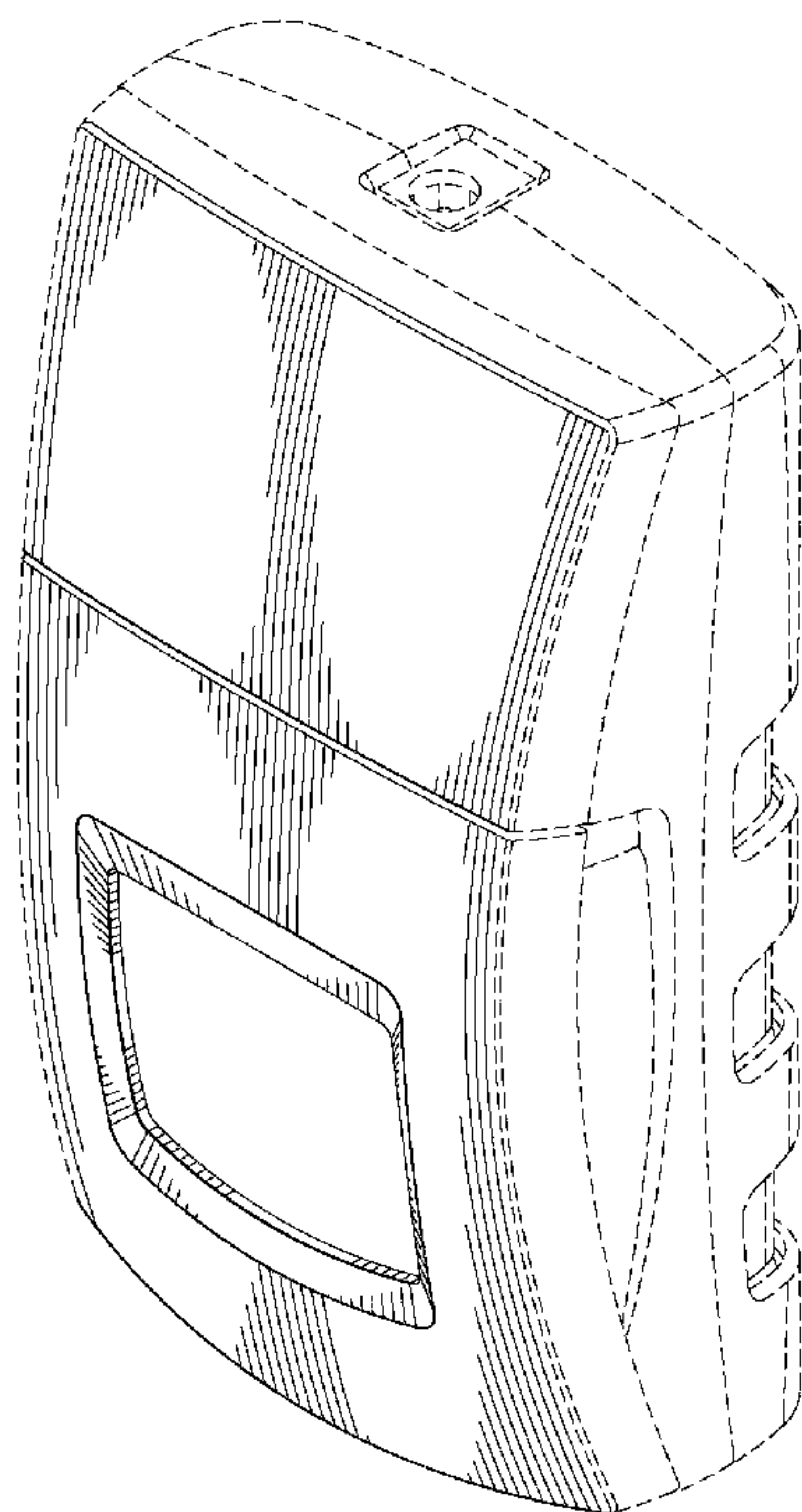
FIG. 5 is a right side view of the design;

FIG. 6 is a top view of the design; and,

FIG. 7 is a bottom view of the design.

The broken lines showing the remaining portion of the battery charger in the drawings are included for the purpose of illustrating environmental structure and form no part of the claimed design.

**1 Claim, 5 Drawing Sheets**



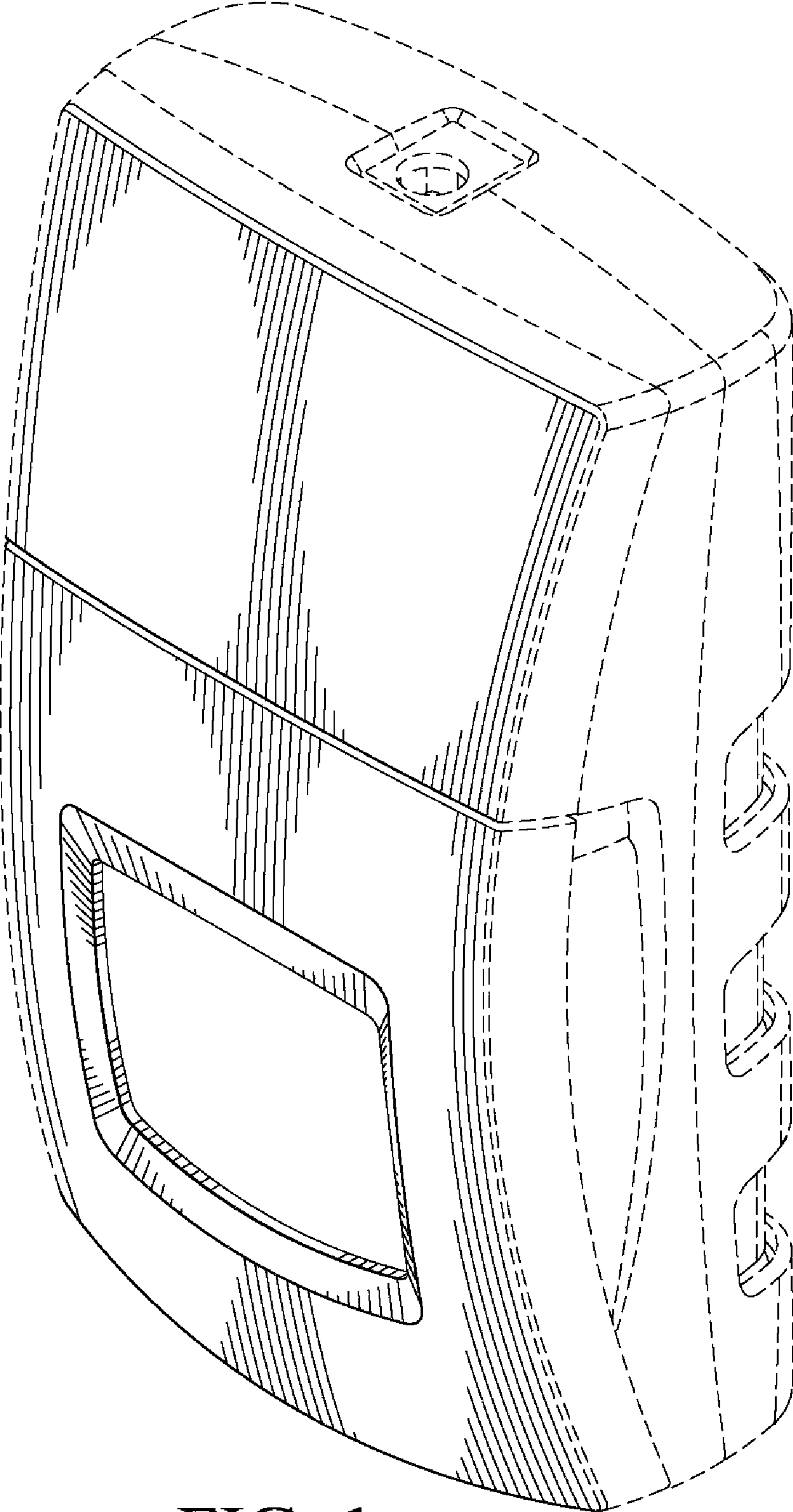


FIG. 1

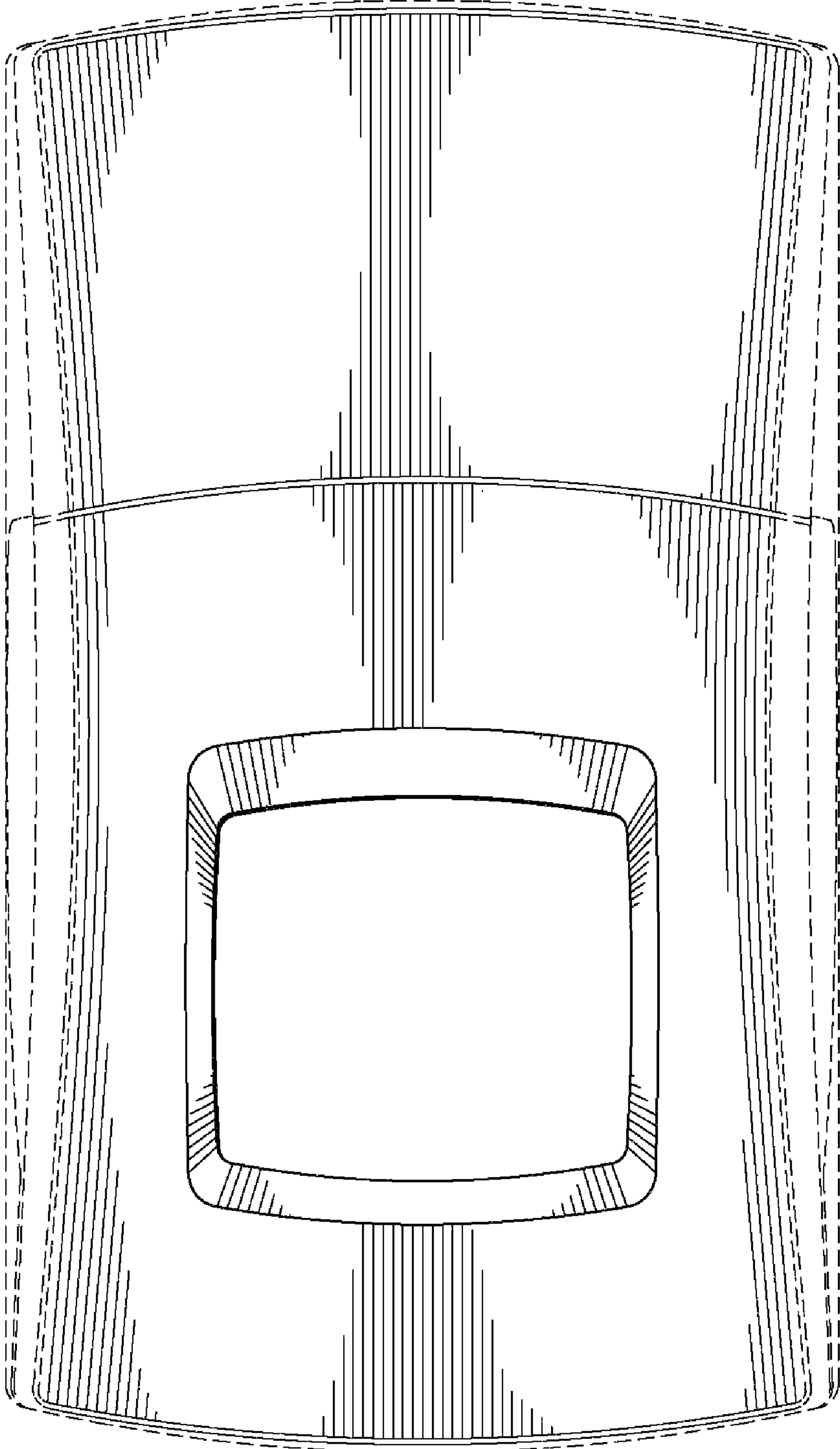


FIG. 2

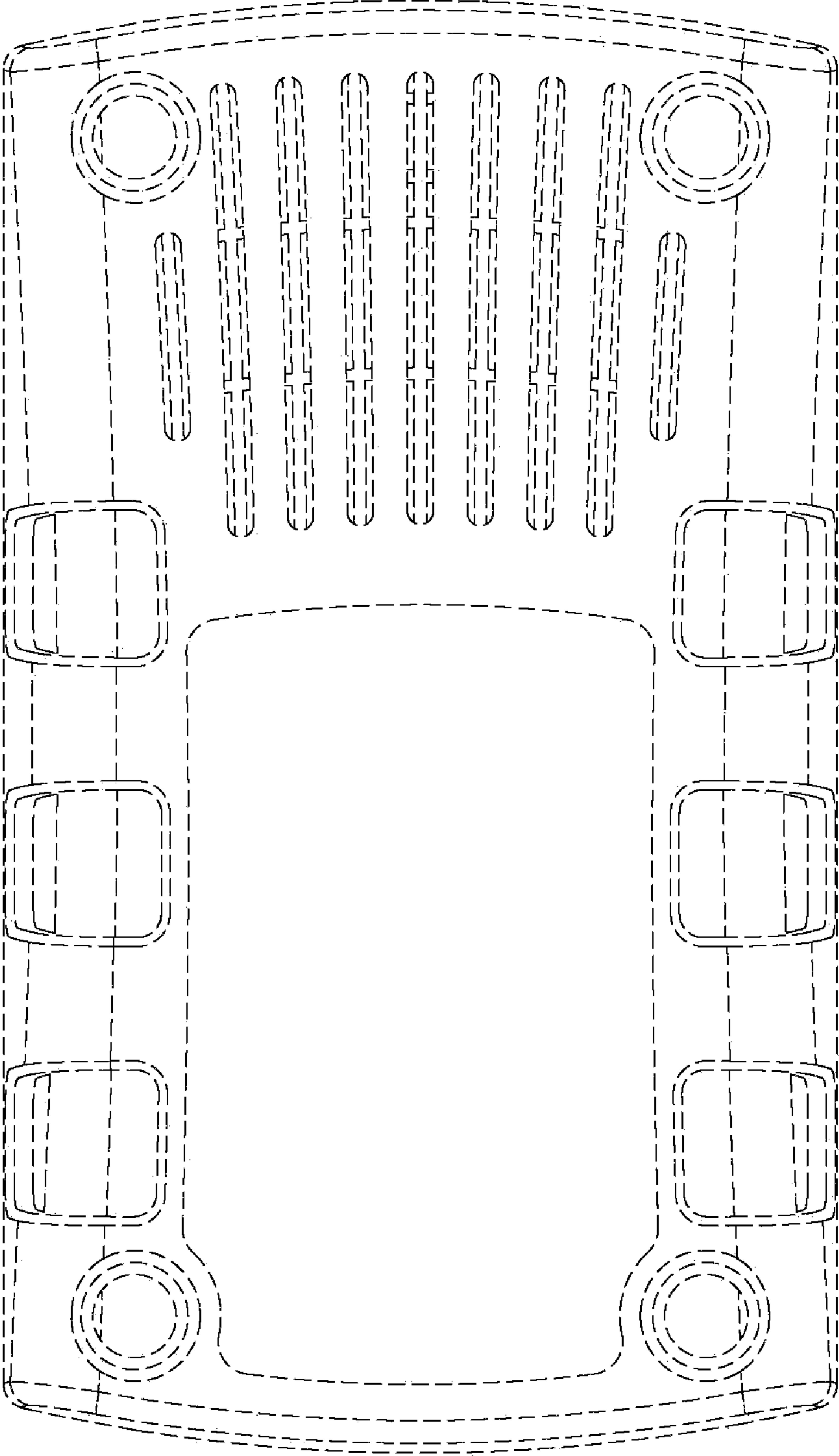


FIG. 3

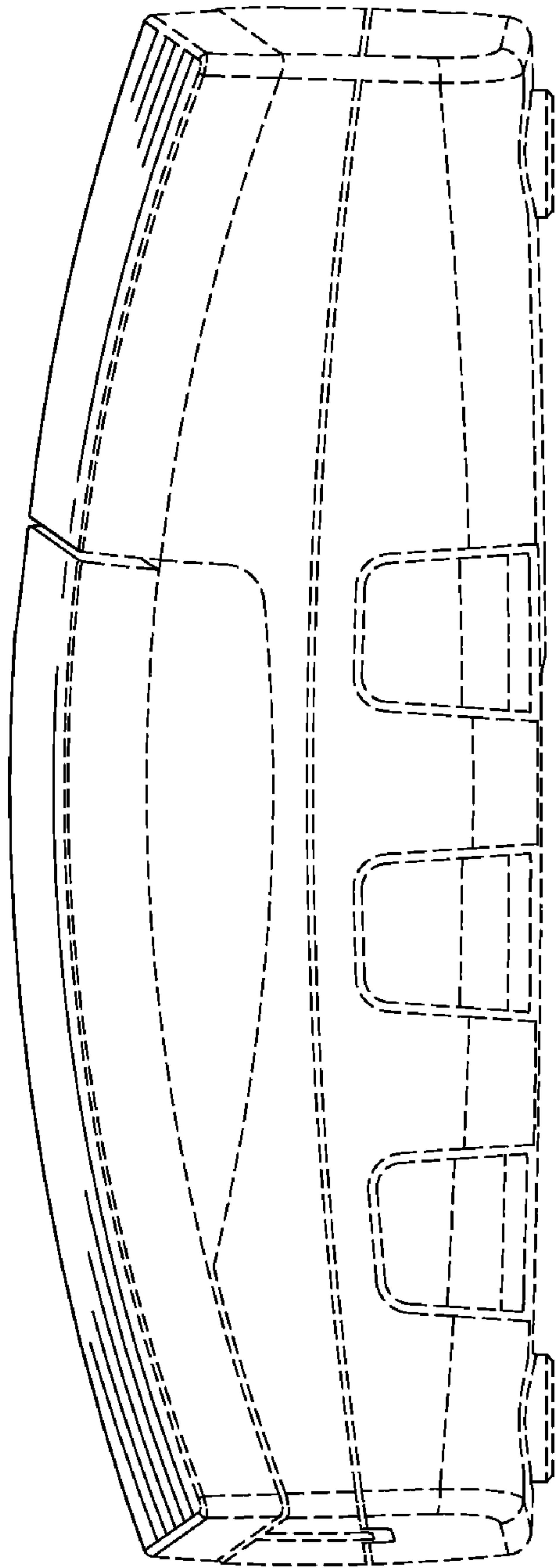


FIG. 4

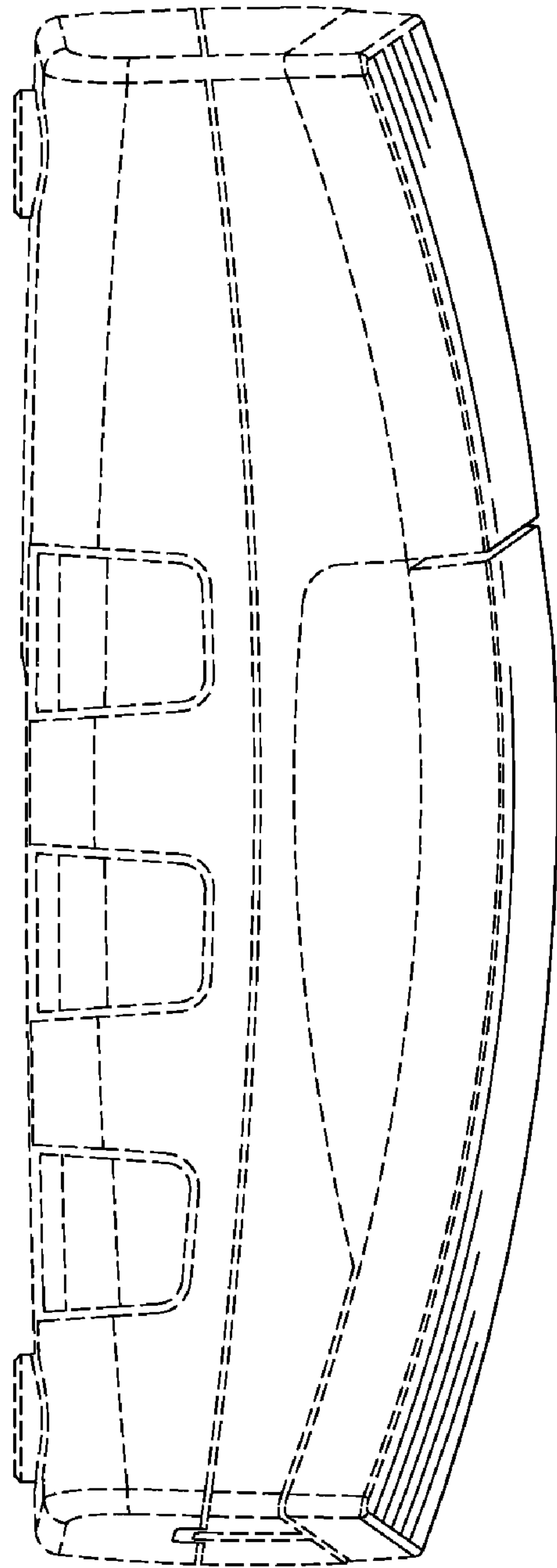


FIG. 5



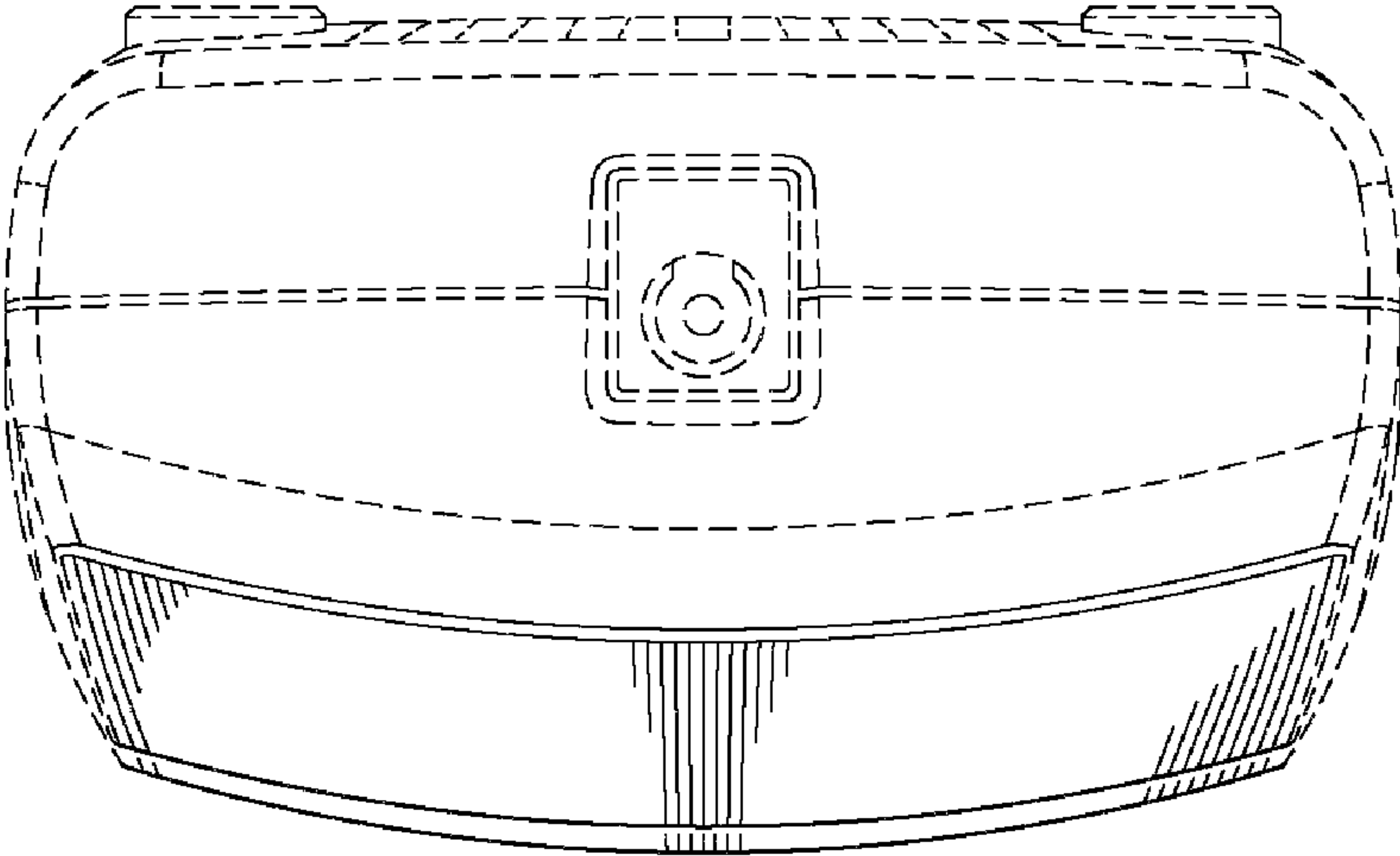


FIG. 6

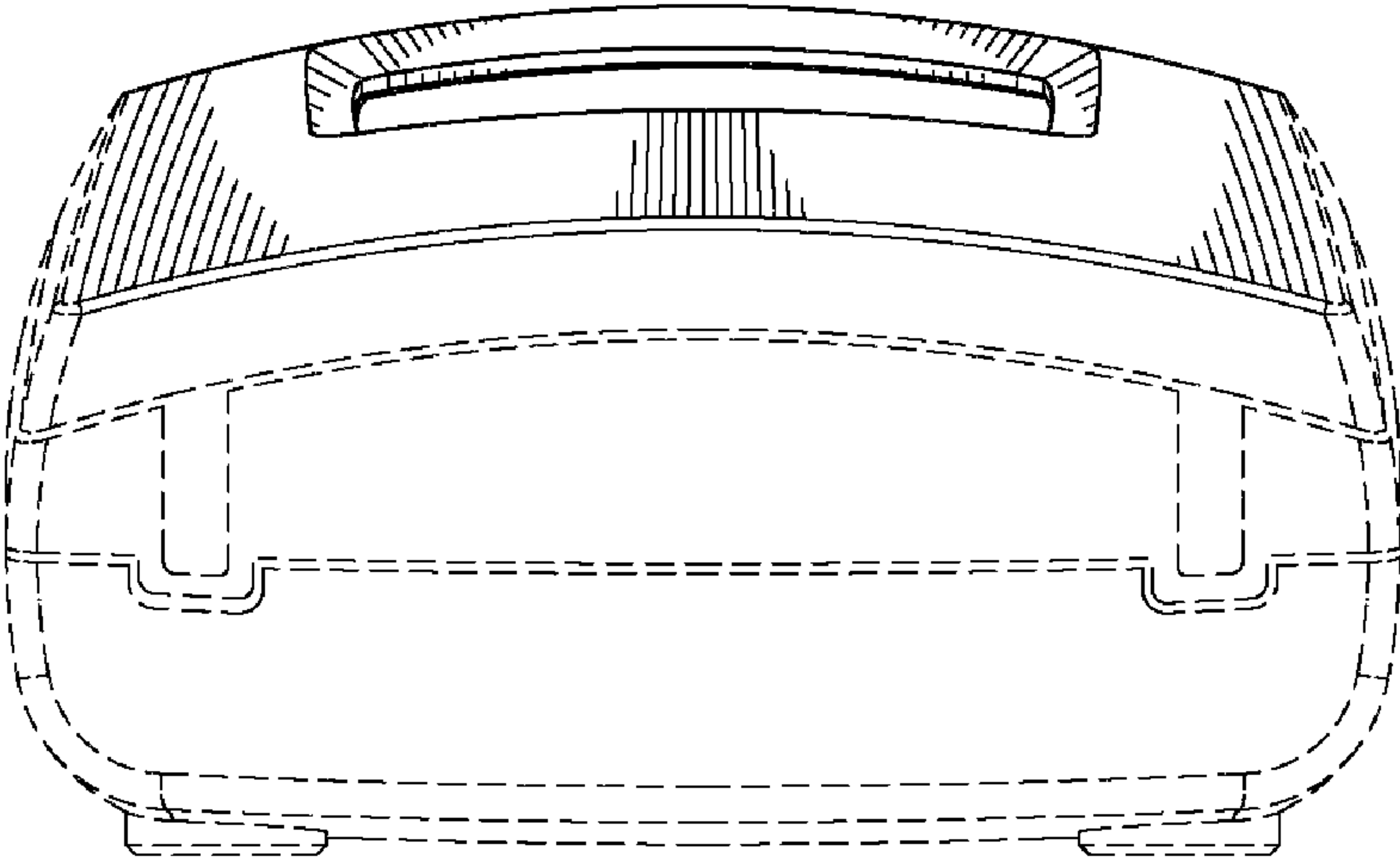


FIG. 7