



US00D615033S

(12) **United States Design Patent**  
**Baker et al.**

(10) **Patent No.:** **US D615,033 S**  
(45) **Date of Patent:** **\*\* May 4, 2010**

(54) **BATTERY CHARGER**

(75) Inventors: **Kathleen Ann Baker**, New Fairfield, CT (US); **Eric W. Olson**, Los Angeles, CA (US); **Jonathan Abarbanel**, Los Angeles, CA (US); **Stuart Karten**, Venice, CA (US); **Eric Schmid**, Culver City, CA (US); **Paul Kirley**, Los Angeles, CA (US)

(73) Assignee: **The Gillette Company**, Boston, MA (US)

(\*\*) Term: **14 Years**

(21) Appl. No.: **29/343,095**

(22) Filed: **Sep. 8, 2009**

(51) **LOC (9) Cl.** ..... **13-02**

(52) **U.S. Cl.** ..... **D13/107**

(58) **Field of Classification Search** ..... D13/107–110,  
D13/118–119, 184, 199; D14/251, 253,  
D14/432, 434; 320/107–115

See application file for complete search history.

(56) **References Cited**

**U.S. PATENT DOCUMENTS**

D342,523 S	*	12/1993	Morgan et al.	.....	D14/250
D350,113 S	*	8/1994	Nagele	.....	D13/110
D360,877 S	*	8/1995	Ropponen et al.	.....	D13/184
D362,661 S	*	9/1995	Buschor et al.	.....	D13/184
D401,554 S	*	11/1998	Nagele et al.	.....	D13/119
D412,487 S	*	8/1999	Nagele et al.	.....	D13/108
D425,017 S	*	5/2000	Leung	.....	D13/110
D436,918 S	*	1/2001	Matsuda	.....	D13/110
D442,544 S	*	5/2001	Ku	.....	D13/107
D449,279 S	*	10/2001	Takach et al.	.....	D13/152

D452,260 S	*	12/2001	Petravic et al.	.....	D16/243
D454,837 S	*	3/2002	Ibuki et al.	.....	D13/107
D470,826 S	*	2/2003	Bergmann	.....	D13/184
D513,731 S		1/2006	Kang et al.		
D525,593 S	*	7/2006	Bailey	.....	D13/177
D540,742 S		4/2007	Bell		
D564,960 S	*	3/2008	Sacco et al.	.....	D13/107
D565,506 S	*	4/2008	Sacco et al.	.....	D13/107
D598,375 S	*	8/2009	Nomi	.....	D13/108
D599,738 S	*	9/2009	Amidei et al.	.....	D13/110
2006/0232243 A1		10/2006	Dabdoub et al.		

\* cited by examiner

*Primary Examiner*—Rosemary K Tarcza

(74) *Attorney, Agent, or Firm*—Kevin C. Johnson; Steven W. Miller

(57) **CLAIM**

The ornamental design for a battery charger, as shown and described.

**DESCRIPTION**

FIG. 1 is a perspective view of a battery charger showing our new design;

FIG. 2 is a front view of the design;

FIG. 3 is a rear view of the design;

FIG. 4 is a left side view of the design;

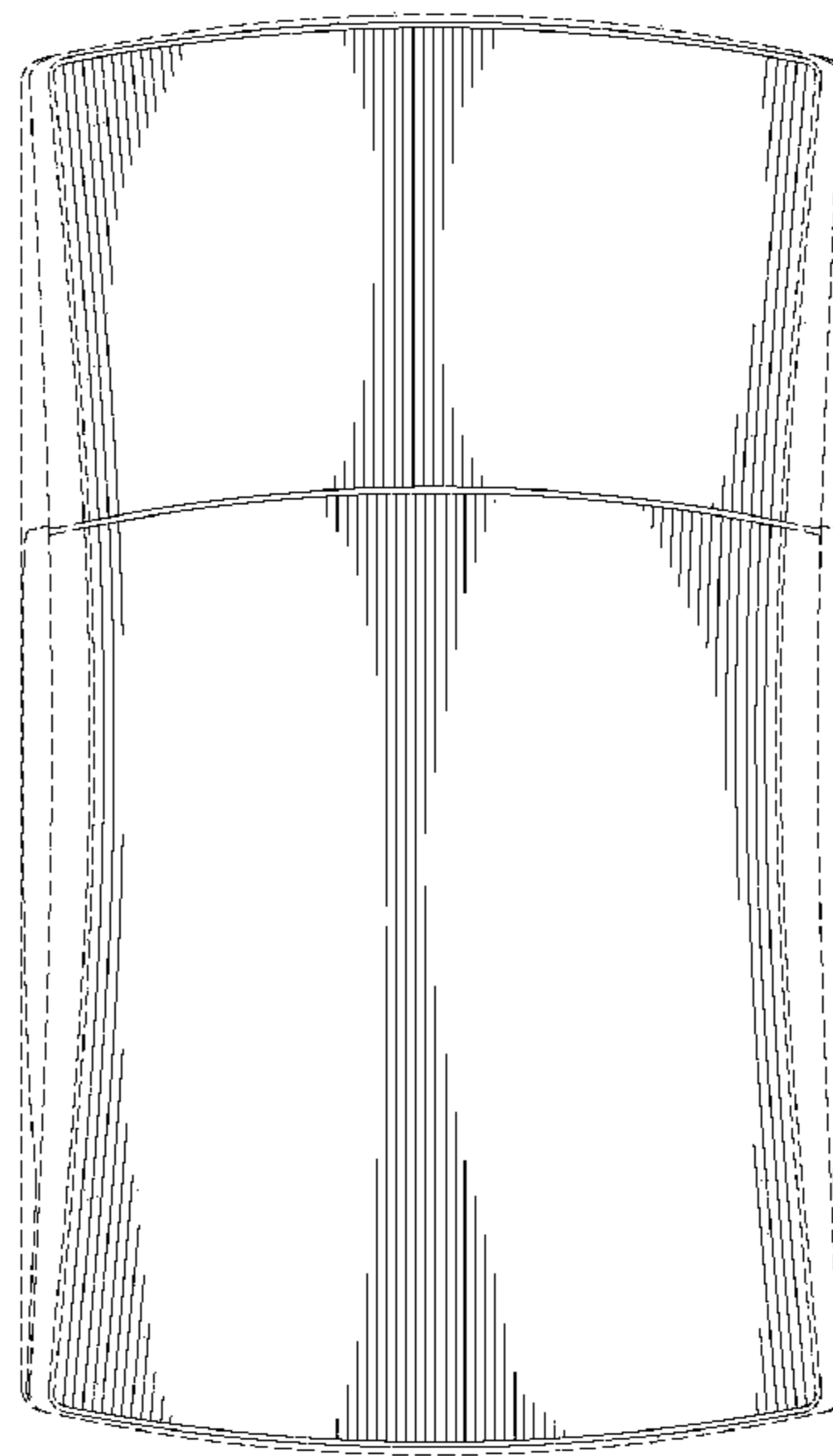
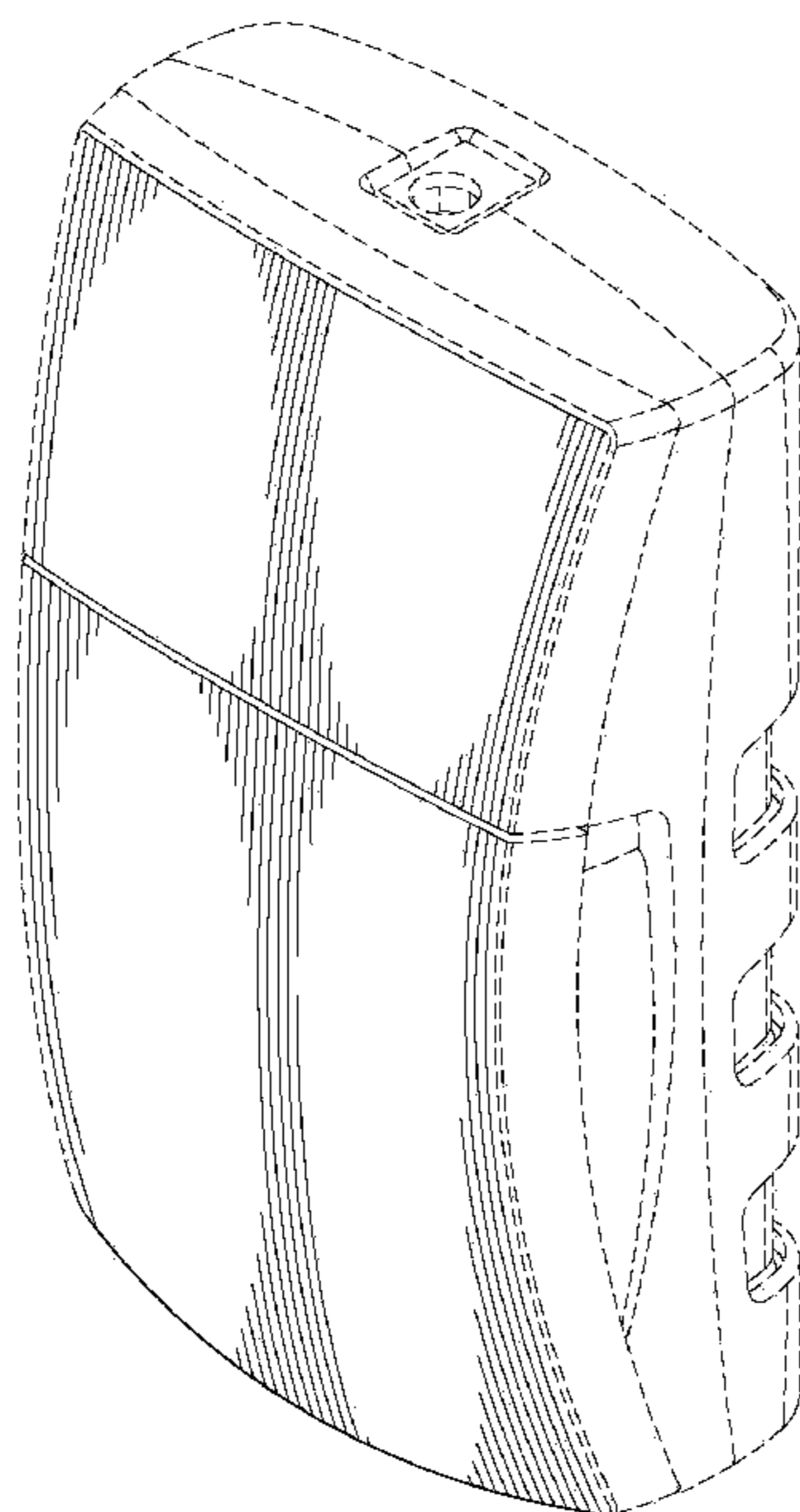
FIG. 5 is a right side view of the design;

FIG. 6 is a top view of the design; and,

FIG. 7 is a bottom view of the design.

The broken lines showing the remaining portion of the battery charger in the drawings are included for the purpose of illustrating environmental structure and form no part of the claimed design.

**1 Claim, 5 Drawing Sheets**



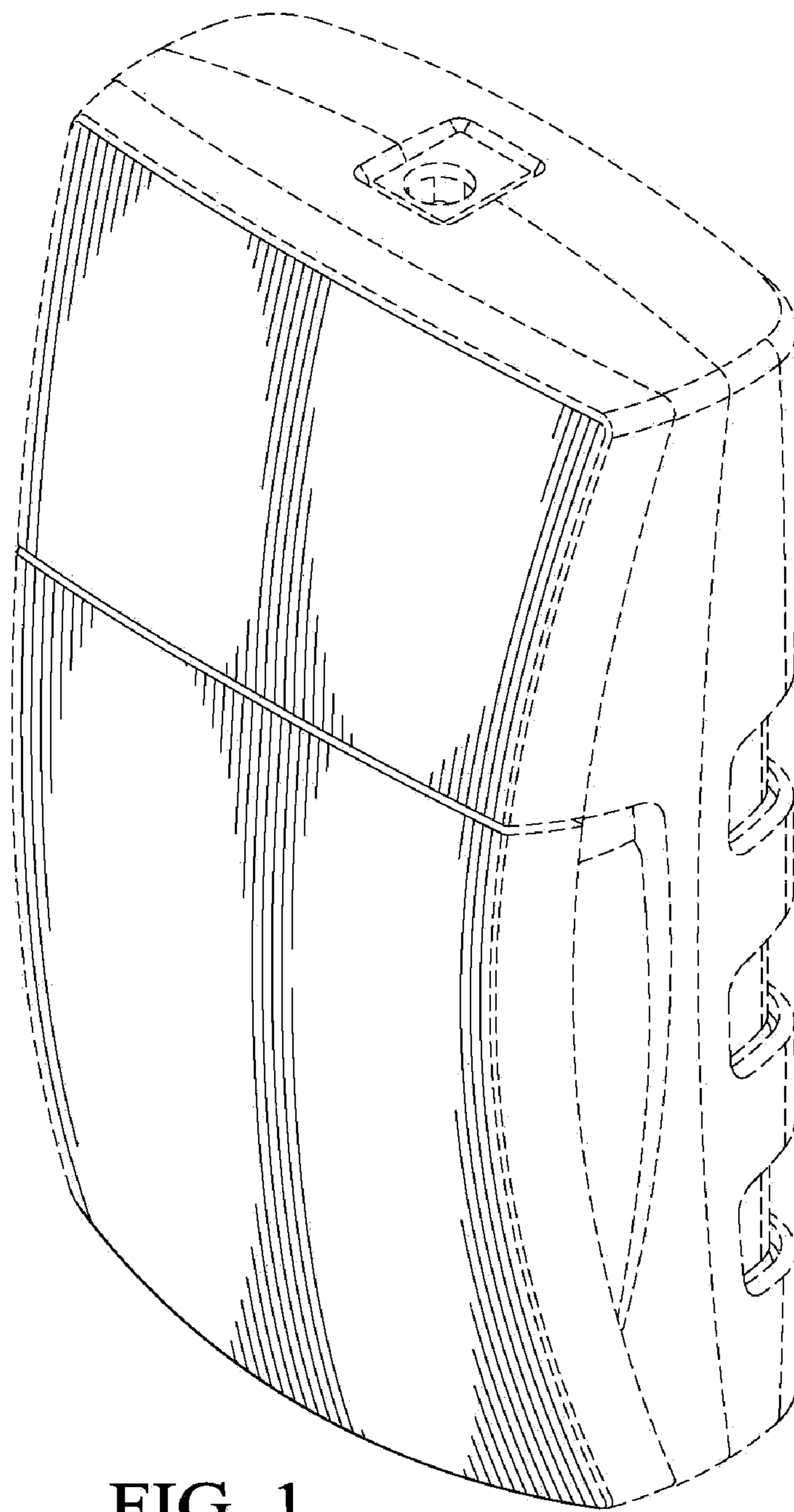


FIG. 1

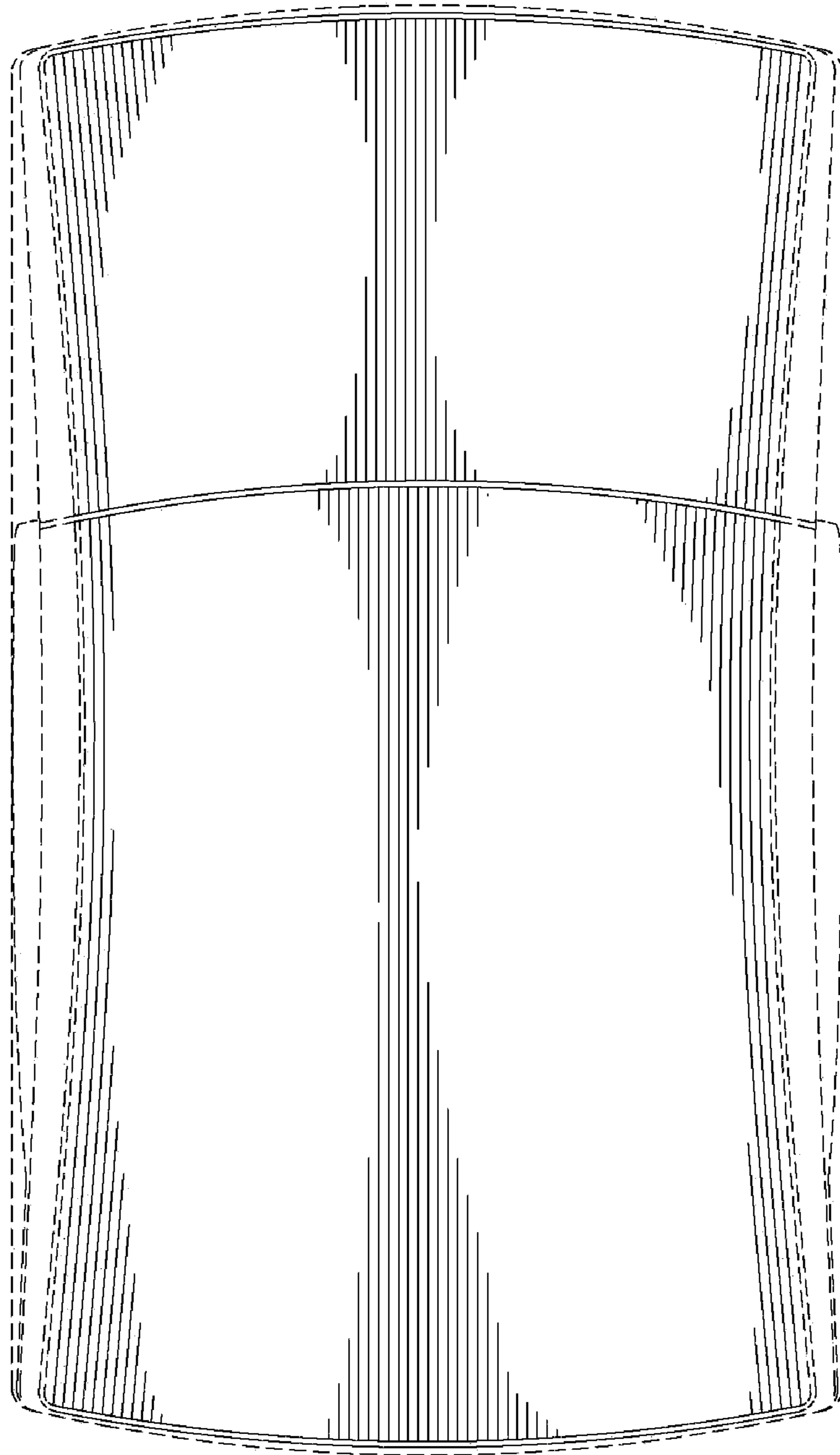


FIG. 2

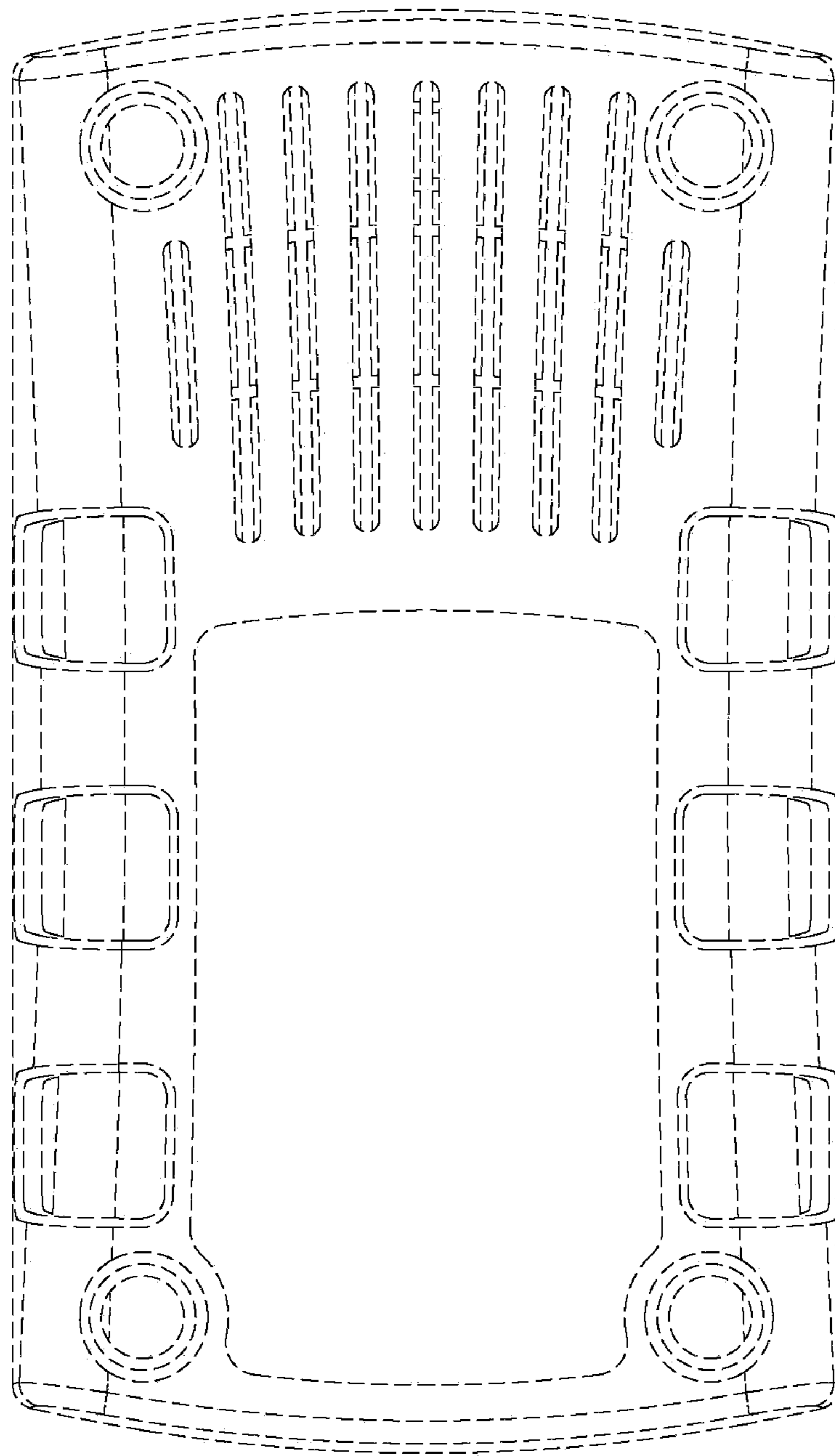


FIG. 3

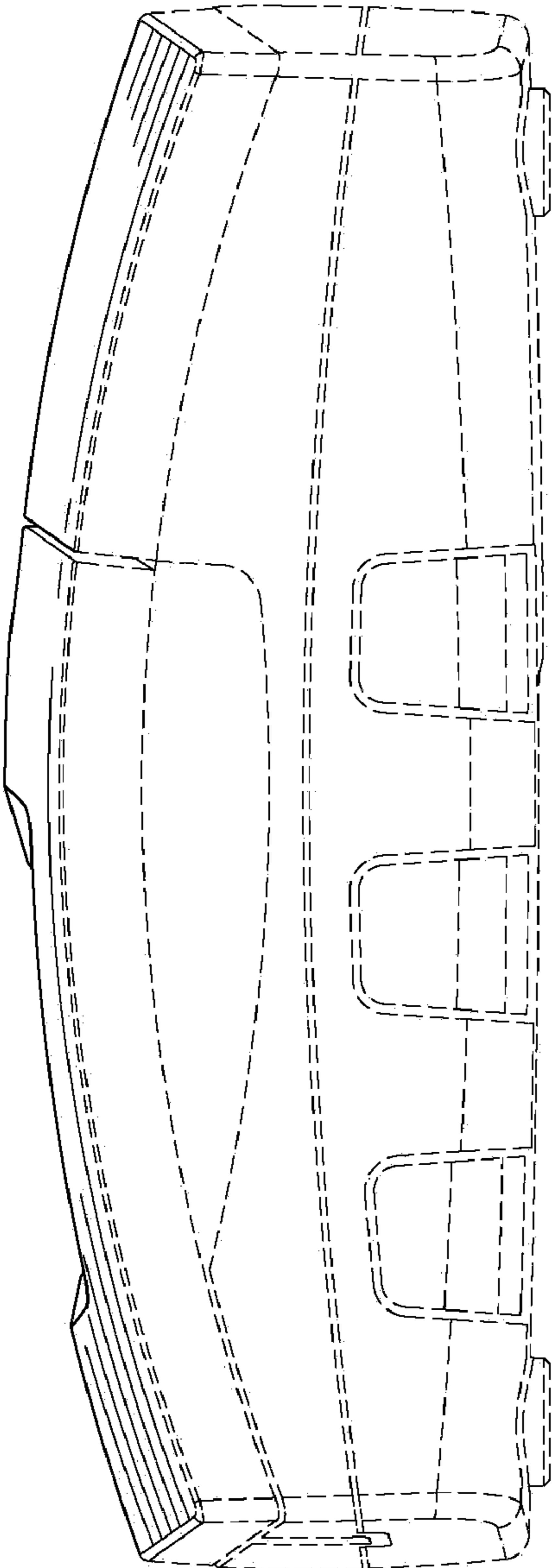


FIG. 4

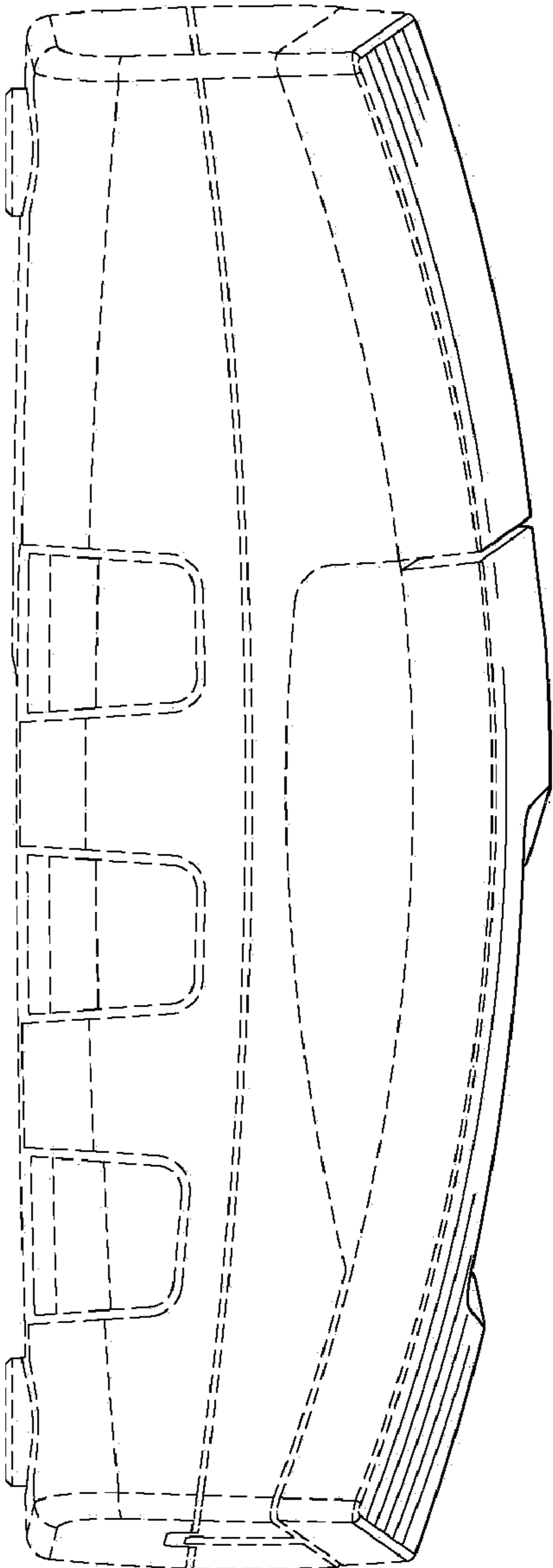


FIG. 5

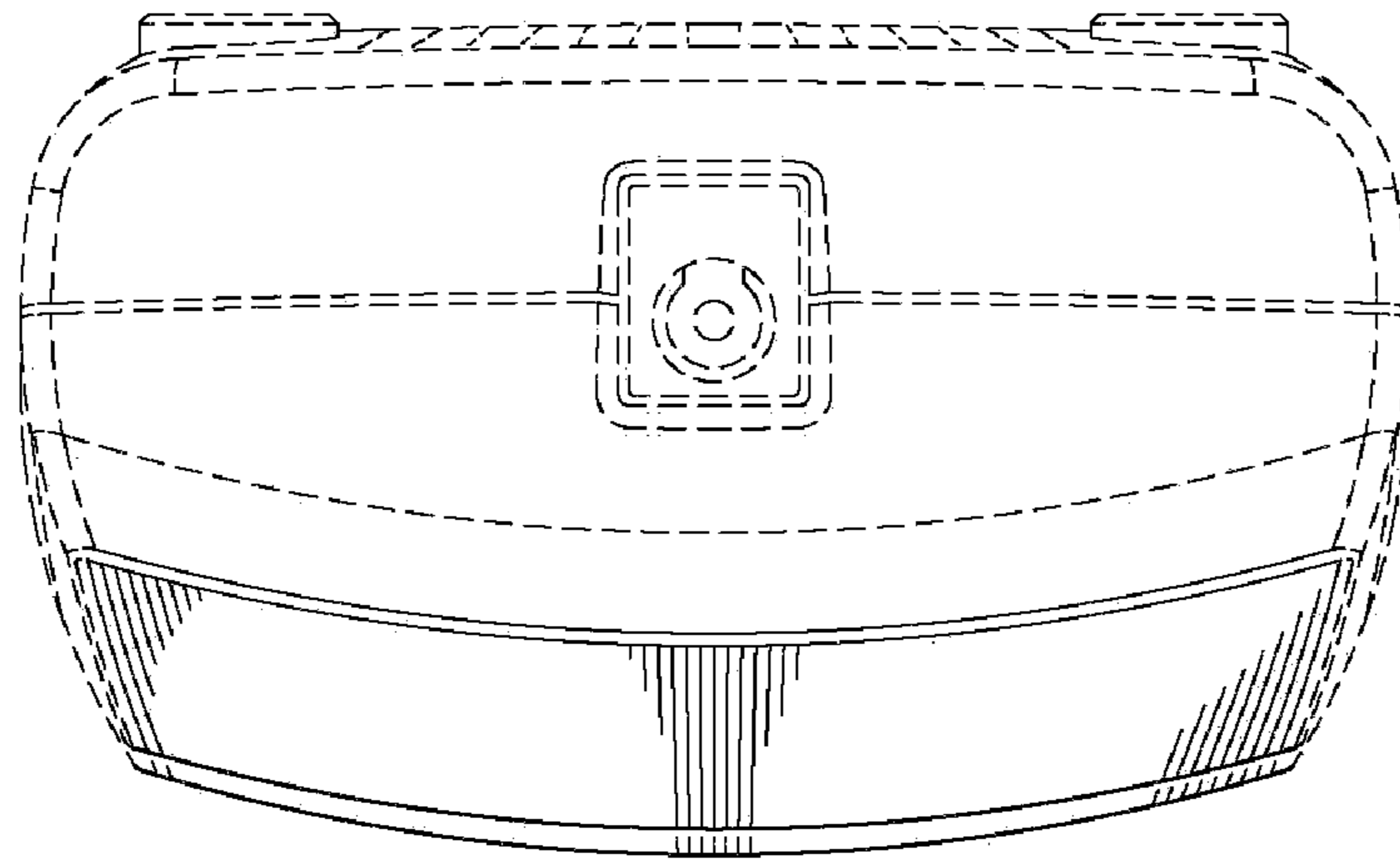


FIG. 6

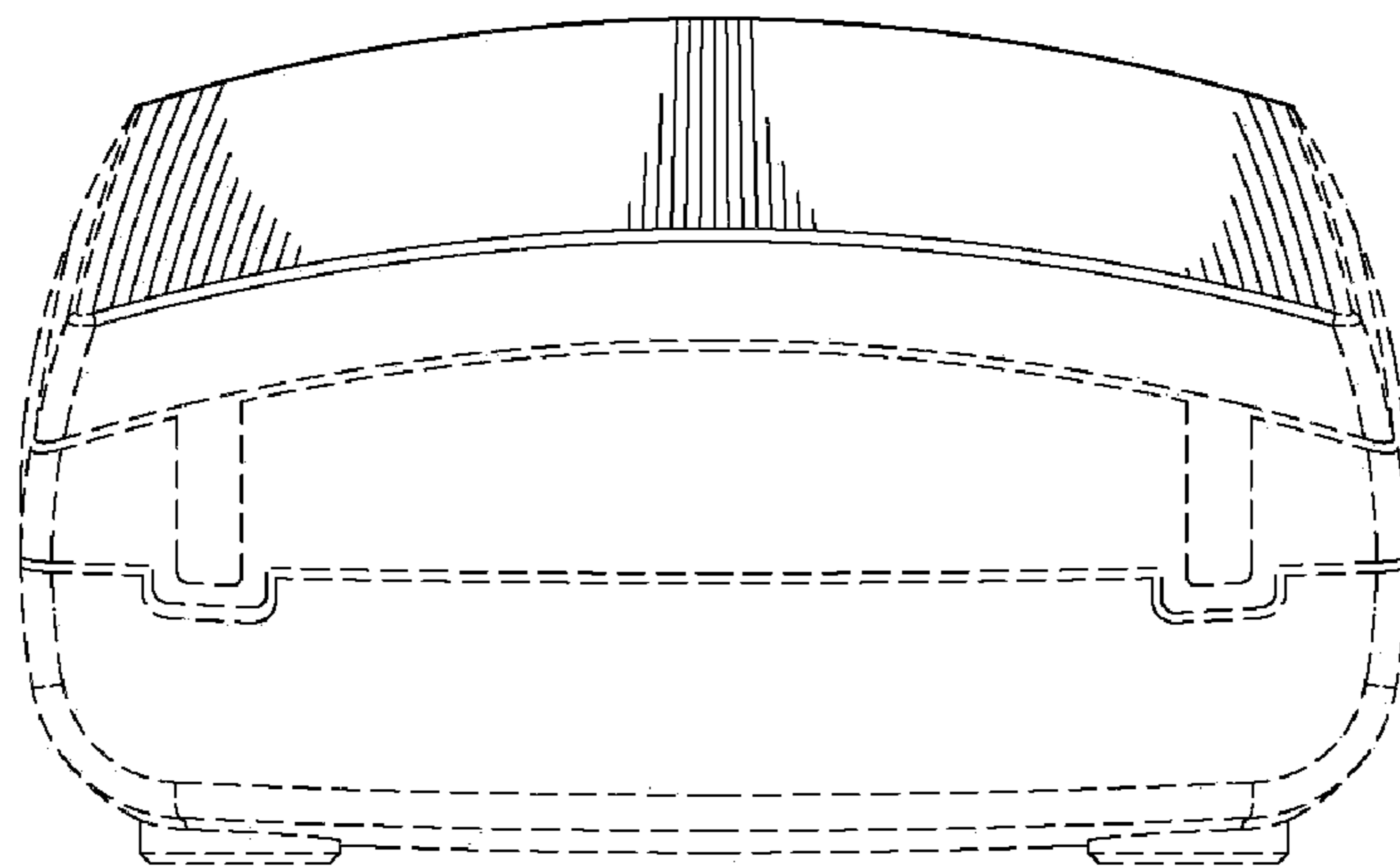


FIG. 7