



US00D615023S

(12) **United States Design Patent**
Moburg et al.

(10) **Patent No.:** **US D615,023 S**

(45) **Date of Patent:** **** May 4, 2010**

(54) **VEHICLE CENTER CONSOLE RECEPTACLE**

(75) Inventors: **Frank Moburg**, Orange, CA (US);
Chirag Patel, Long Beach, CA (US)

(73) Assignee: **Honda Motor Co., Ltd.**, Tokyo (JP)

(**) Term: **14 Years**

(21) Appl. No.: **29/326,551**

(22) Filed: **Oct. 20, 2008**

(51) **LOC (9) Cl.** **12-16**

(52) **U.S. Cl.** **D12/415**

(58) **Field of Classification Search** D12/412,
D12/413, 414.1, 423-425, 415; D3/272,
D3/273, 905, 318, 294, 295; D6/400; 296/26.09,
296/24.1, 37.1, 37.6; 224/539-541, 404;
206/372, 373; D9/423; 70/159; D7/605
See application file for complete search history.

(56) **References Cited**

U.S. PATENT DOCUMENTS

- D305,502 S * 1/1990 Waters D12/414.1
- D360,755 S * 8/1995 McClure D3/273
- D385,110 S * 10/1997 Yemini D3/282
- D400,159 S * 10/1998 Niemi et al. D12/423
- 6,151,933 A * 11/2000 Lentini 70/159
- D455,934 S * 4/2002 Culp et al. D7/605
- D497,783 S * 11/2004 Krieger et al. D7/709
- D505,843 S * 6/2005 Krieger et al. D7/709

- D527,225 S * 8/2006 Krieger et al. D7/605
- D536,580 S * 2/2007 Krieger et al. D7/605
- D566,479 S * 4/2008 Kabalin D7/605

* cited by examiner

Primary Examiner—Cathron C Brooks

Assistant Examiner—Austin Murphy

(74) *Attorney, Agent, or Firm*—Plumsea Law Group, LLC;
Mark E. Duell

(57) **CLAIM**

The ornamental design for a vehicle center console receptacle, as shown and described.

DESCRIPTION

FIG. 1 is a side view of a vehicle center console receptacle showing our new design with the cover closed and the handle down, the opposite side view being a mirror image thereof;

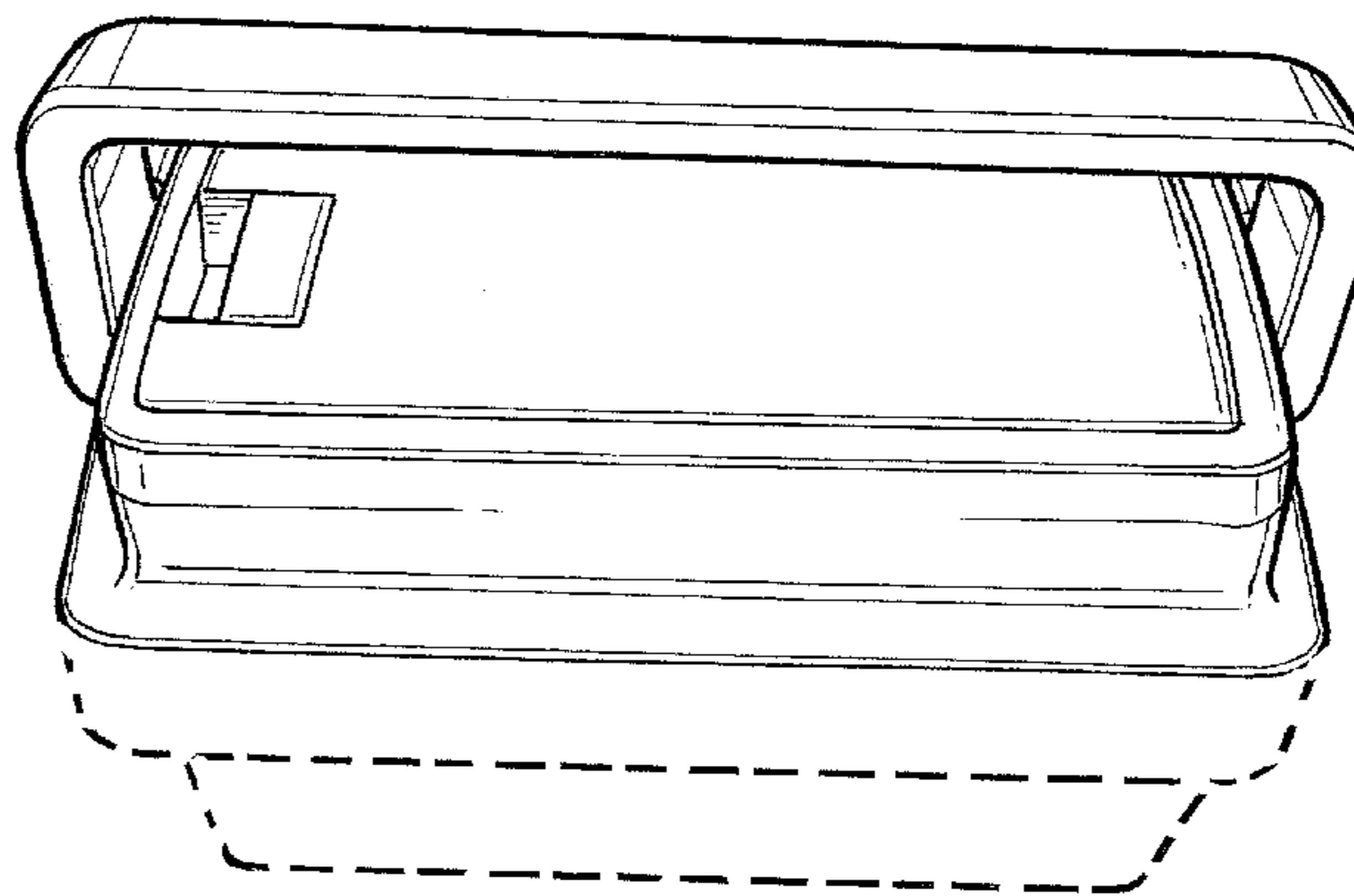
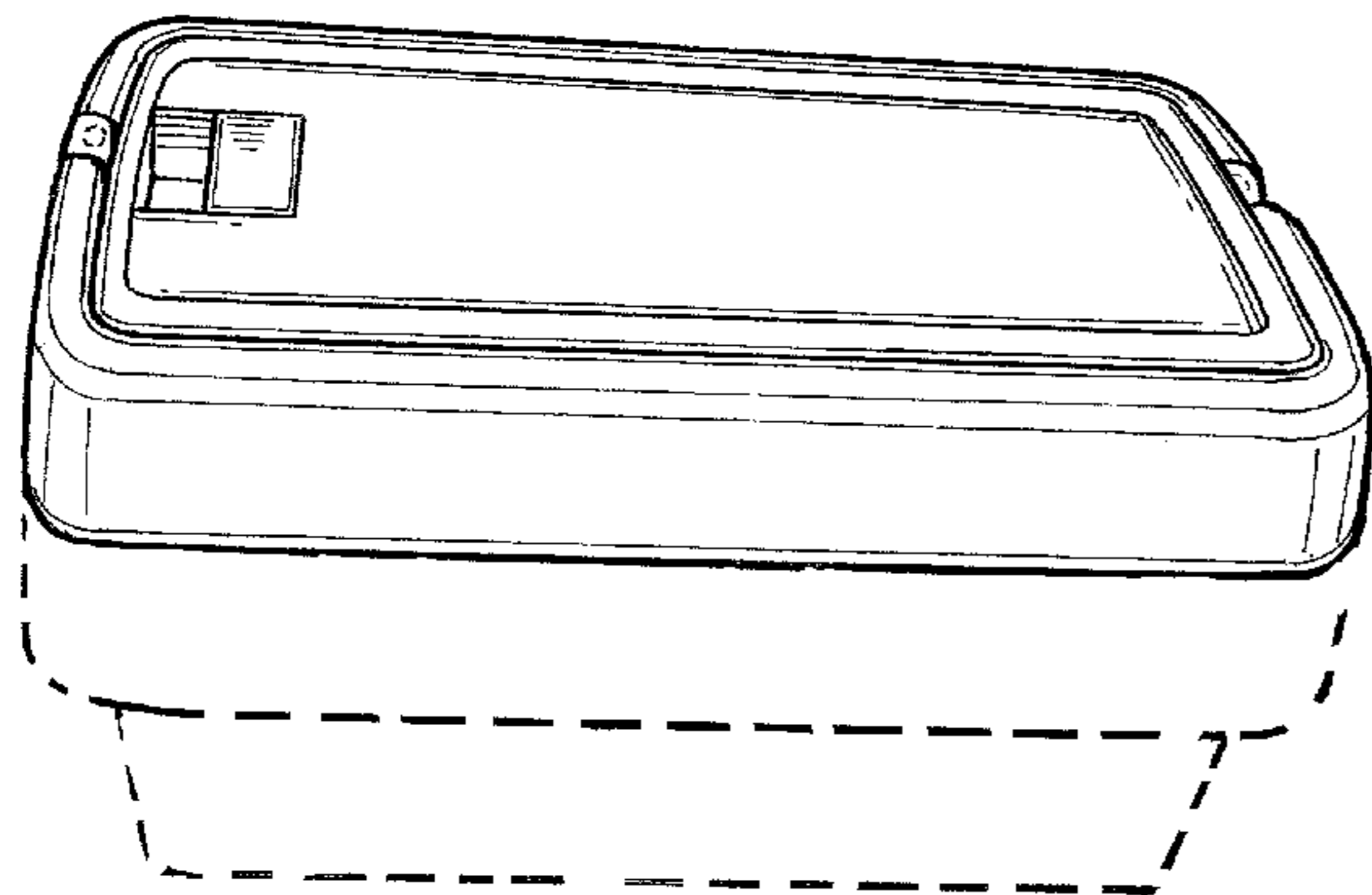
FIG. 2 is a side view thereof with the cover closed, and the handle in an upward position, the opposite side view being a mirror image thereof;

FIG. 3 is a top perspective view with the cover open; and,

FIG. 4 is a top perspective view with the cover closed.

The broken line showings of the lower portion and the inside of the vehicle center console receptacle, and the remainder of the vehicle interior depict environmental subject matter and form no part of the claimed design. The ends of the receptacle not shown in the drawings form no part of the claimed design.

1 Claim, 3 Drawing Sheets



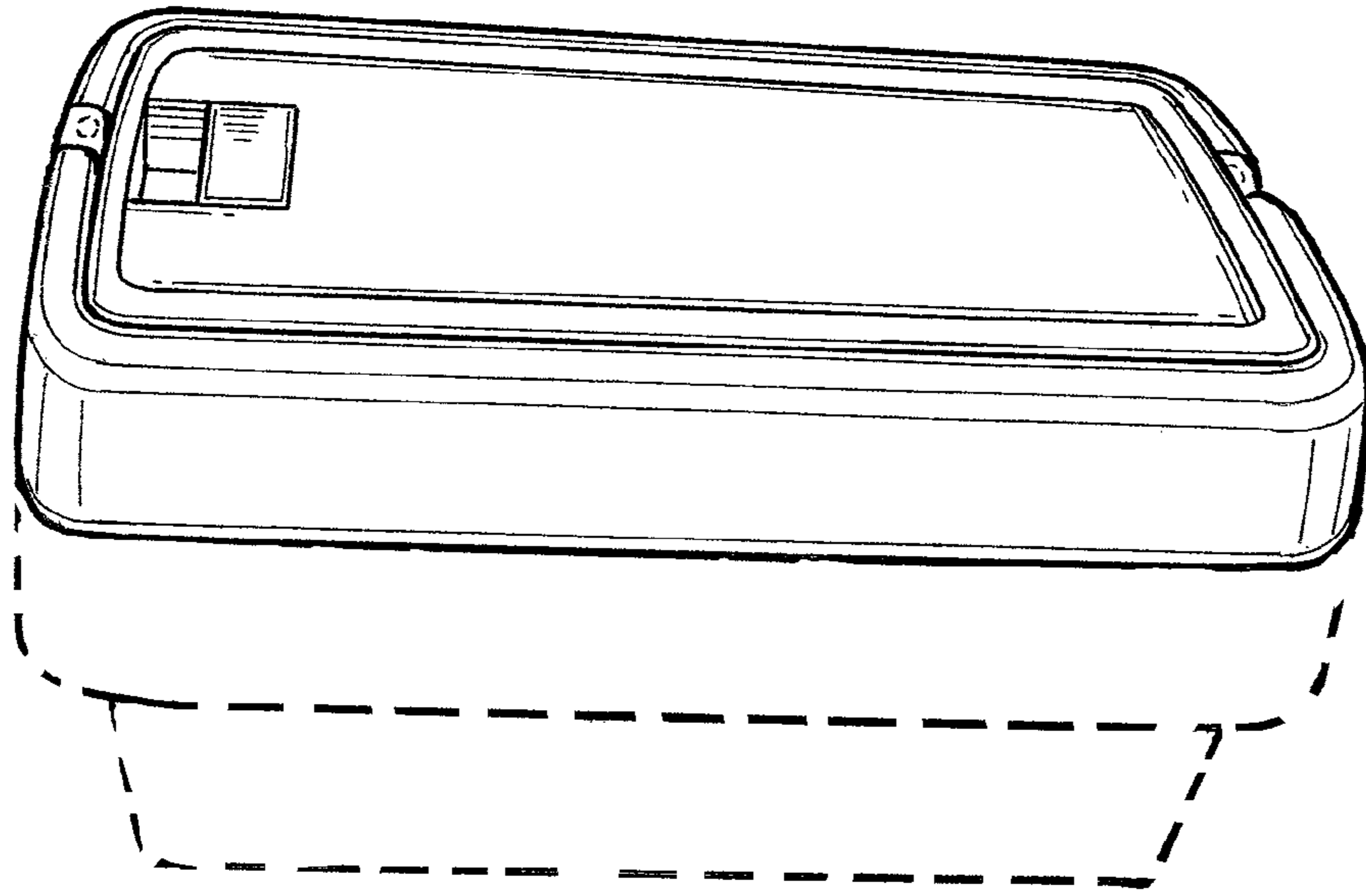


FIG. 1

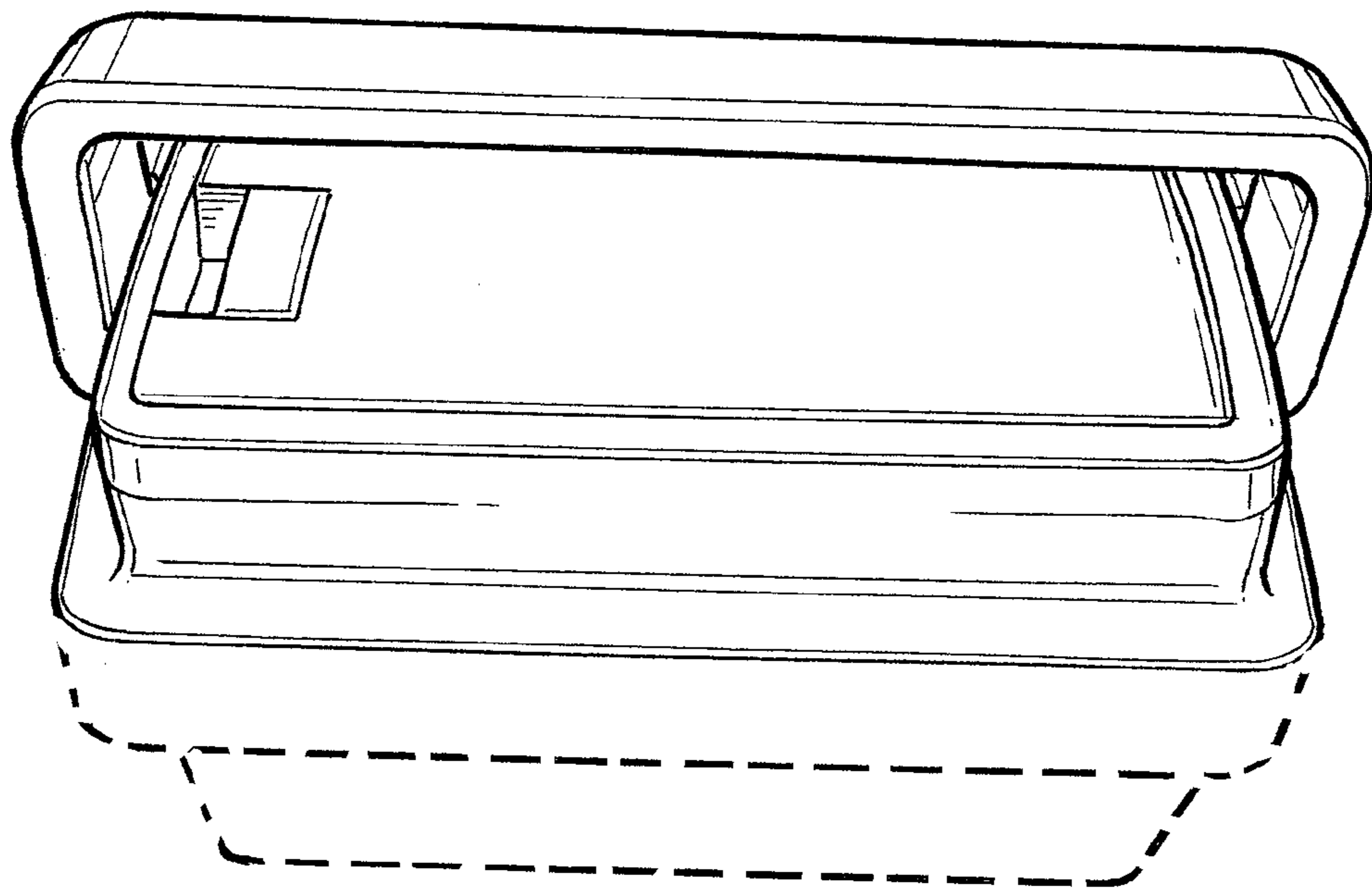


FIG. 2

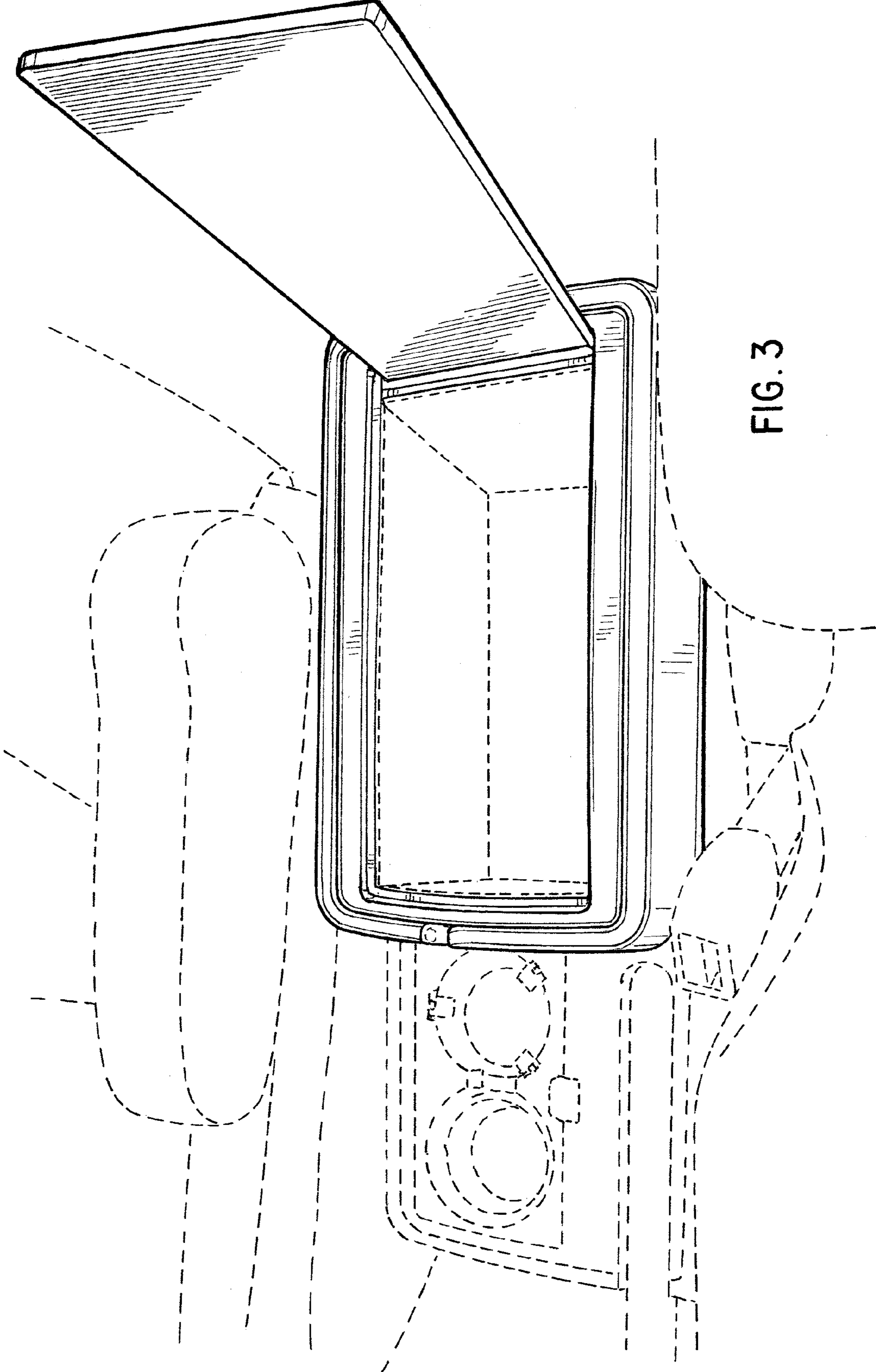


FIG. 3

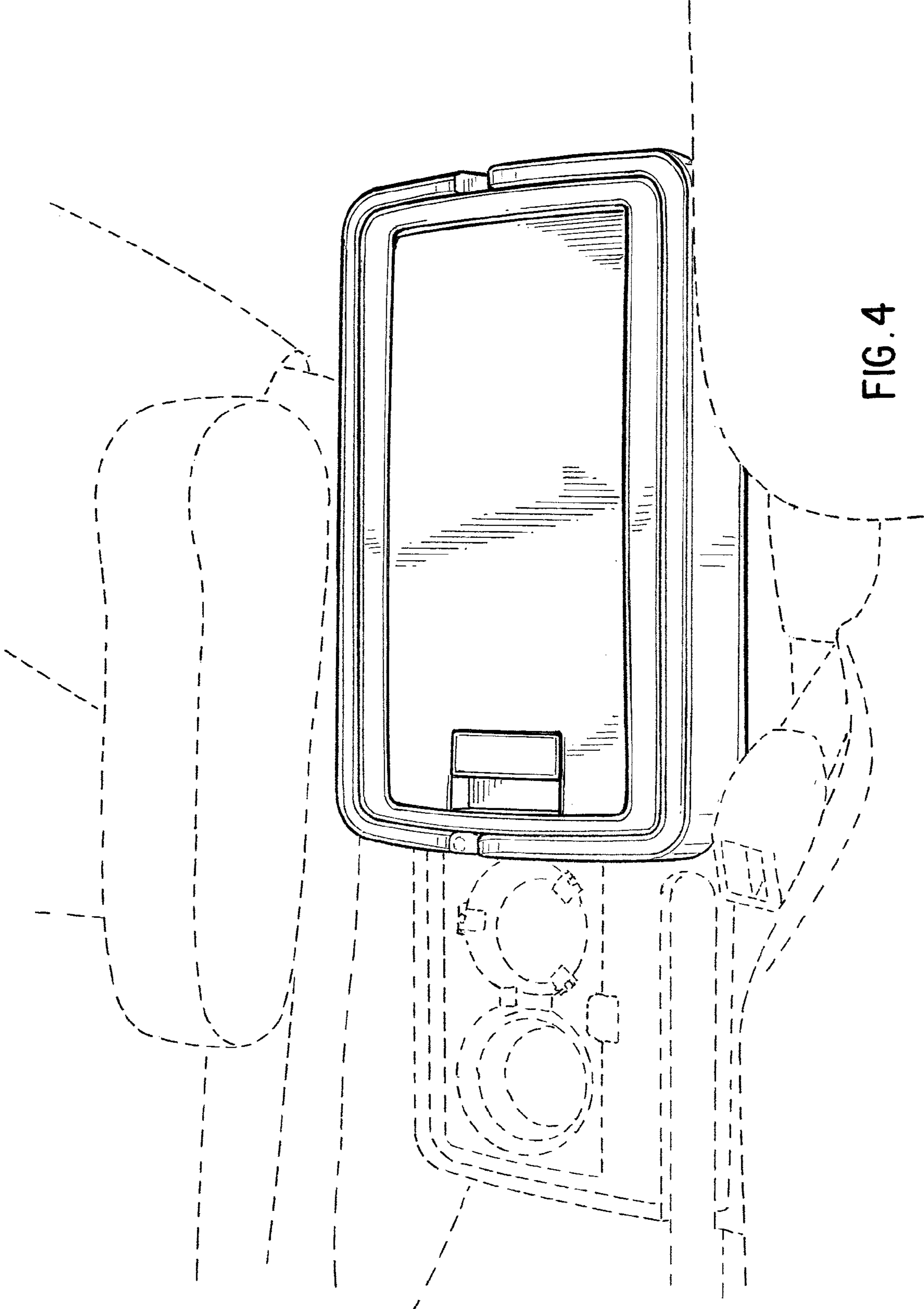


FIG. 4