



US00D615022S

(12) **United States Design Patent**  
**Schanz et al.**

(10) **Patent No.:** **US D615,022 S**

(45) **Date of Patent:** **\*\* May 4, 2010**

(54) **CASE FOR A MOTORCYCLE**

(75) Inventors: **Jochen Schanz**, Niedereschach (DE);  
**Herbert Schwarz**, Niedereschach (DE)

(73) Assignee: **Touratech AG**, Niedereschach (DE)

(\*\*) Term: **14 Years**

(21) Appl. No.: **29/338,208**

(22) Filed: **Jun. 6, 2009**

(30) **Foreign Application Priority Data**

Dec. 18, 2008 (DE) ..... 40 2008 006 073.3

(51) **LOC (9) Cl.** ..... **12-16**

(52) **U.S. Cl.** ..... **D12/409; D3/302**

(58) **Field of Classification Search** ..... D3/203.1,  
D3/203.6–203.8, 272–274, 281, 291, 294–295,  
D3/302, 905; D12/409, 410; 224/413  
See application file for complete search history.

(56) **References Cited**

**U.S. PATENT DOCUMENTS**

D261,386 S \* 10/1981 Beaubien et al. .... D12/410  
D273,578 S \* 4/1984 Hsu ..... D12/410  
D275,190 S \* 8/1984 Gevert ..... D12/410  
D497,252 S \* 10/2004 Perella et al. .... D3/294  
D506,061 S \* 6/2005 McGibben ..... D3/260

D509,357 S \* 9/2005 Perella et al. .... D3/267  
D528,795 S \* 9/2006 Perella et al. .... D3/297  
D529,287 S \* 10/2006 Perella et al. .... D3/294  
D577,488 S \* 9/2008 Weng et al. .... D3/281  
D579,658 S \* 11/2008 Weng et al. .... D3/294  
D580,171 S \* 11/2008 Weng et al. .... D3/294  
D596,399 S \* 7/2009 Decarlo et al. .... D3/291

\* cited by examiner

*Primary Examiner*—Philip S Hyder

*Assistant Examiner*—Roselyne Cody

(74) *Attorney, Agent, or Firm*—Gudrun E. Huckett

(57) **CLAIM**

The ornamental design for a case for a motorcycle, as shown and described.

**DESCRIPTION**

FIG. 1 is a perspective view of our case for a motorcycle;  
FIG. 2 is a front view of our case for a motorcycle;  
FIG. 3 is a rear view of our case for a motorcycle;  
FIG. 4 is a top plan view of our case for a motorcycle;  
FIG. 5 is a bottom plan view of our case for a motorcycle;  
FIG. 6 is a left side view of our case for a motorcycle; and,  
FIG. 7 is a right side view of our case for a motorcycle.

**1 Claim, 7 Drawing Sheets**



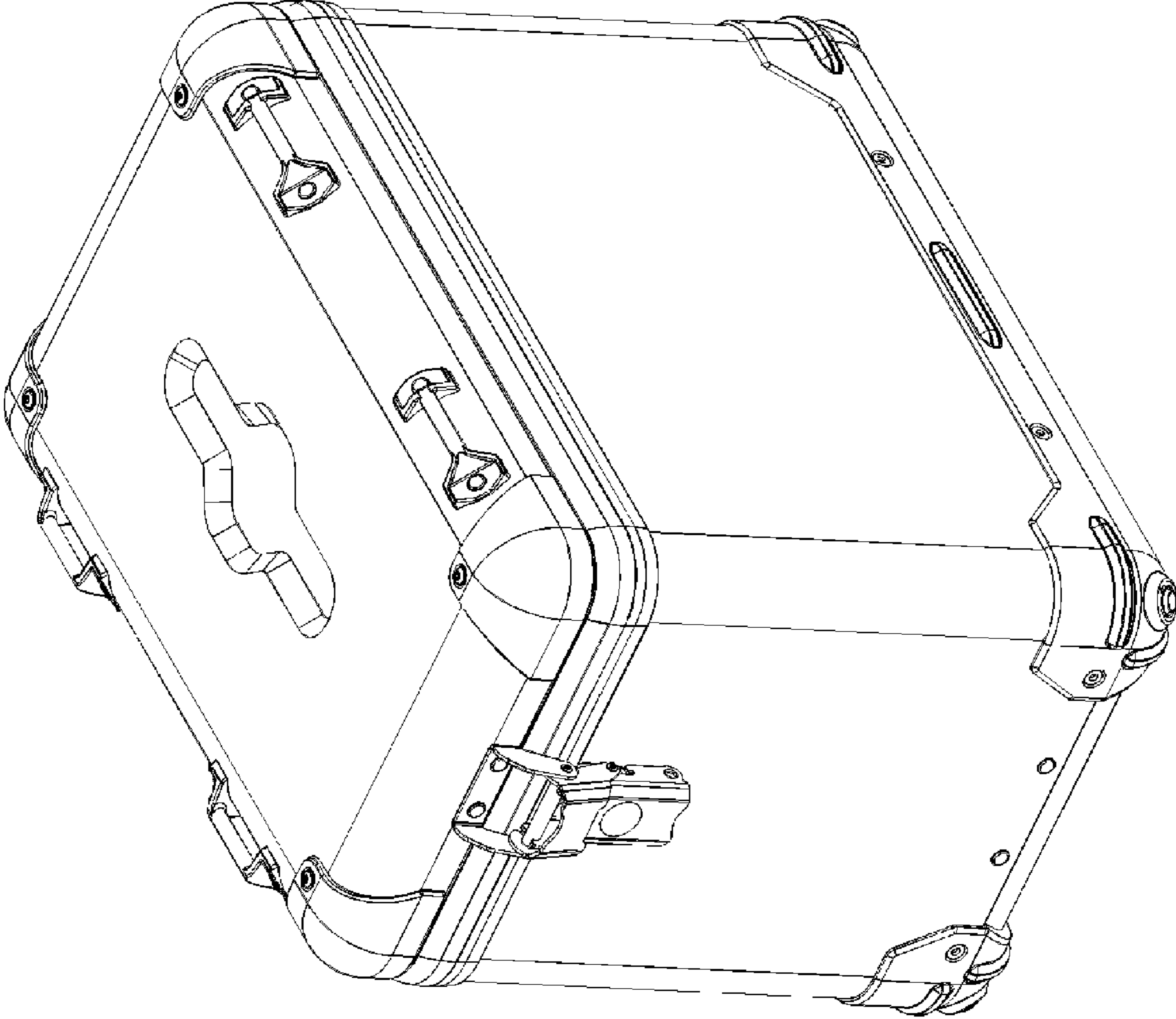


Fig. 1

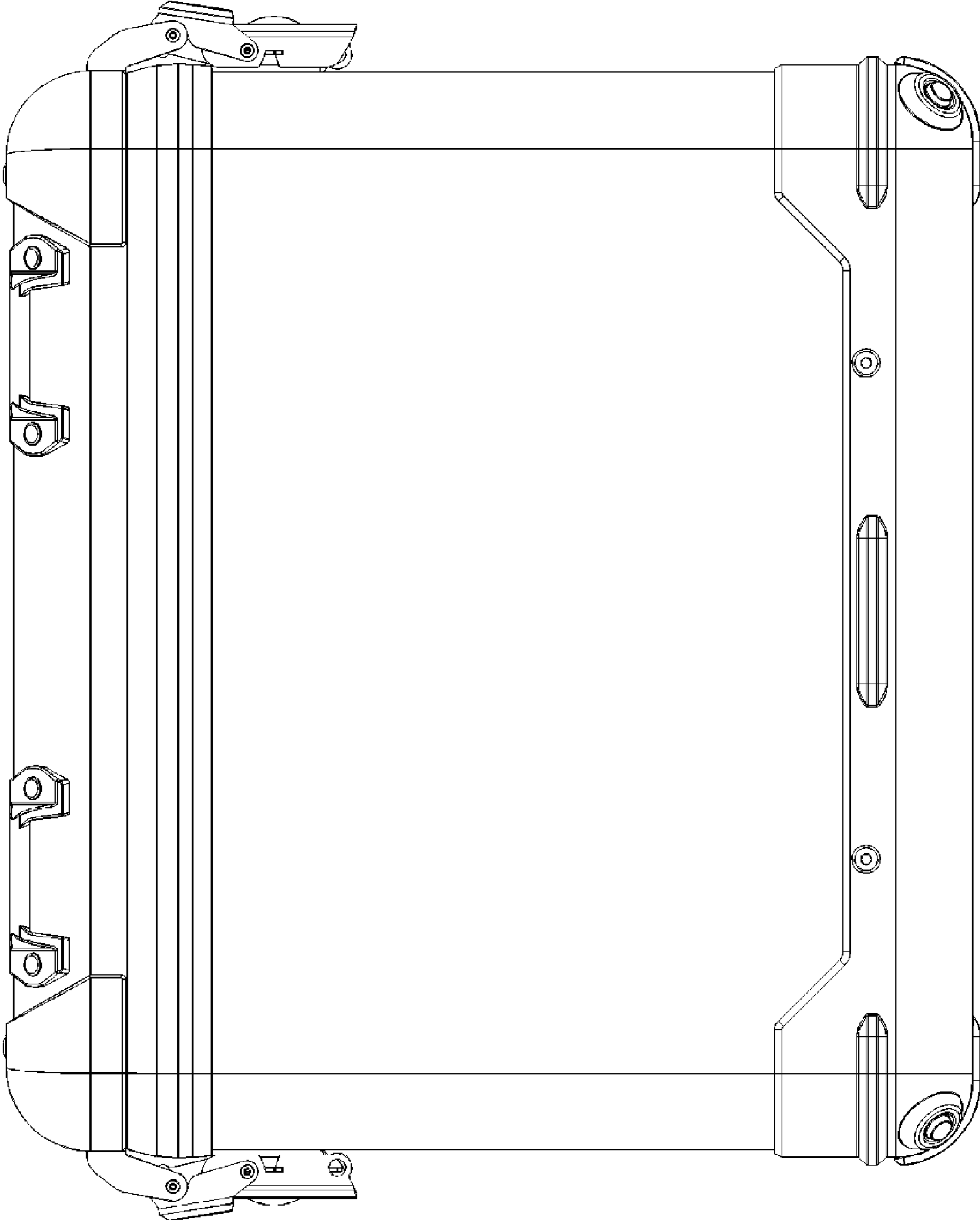


Fig. 2

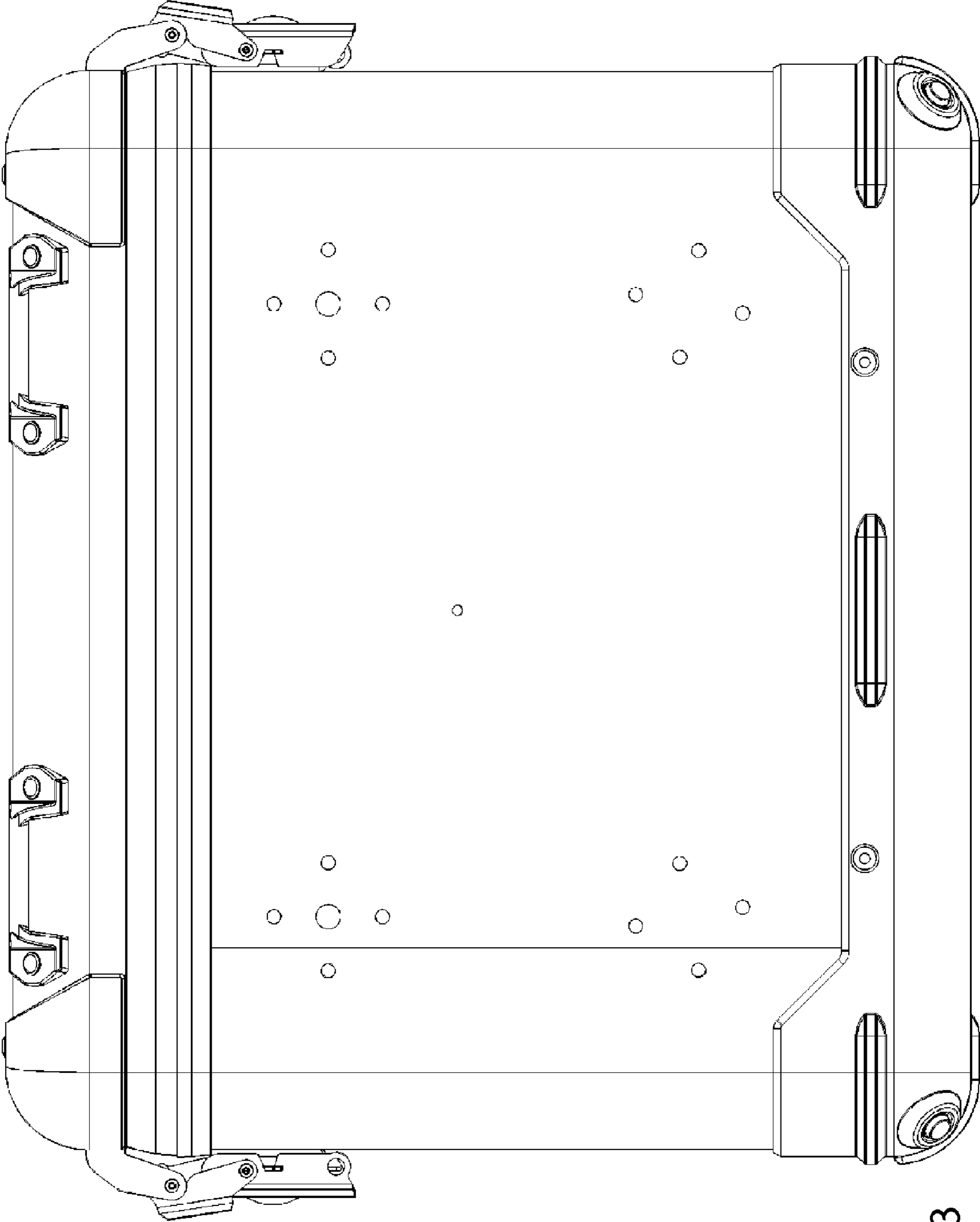


Fig. 3

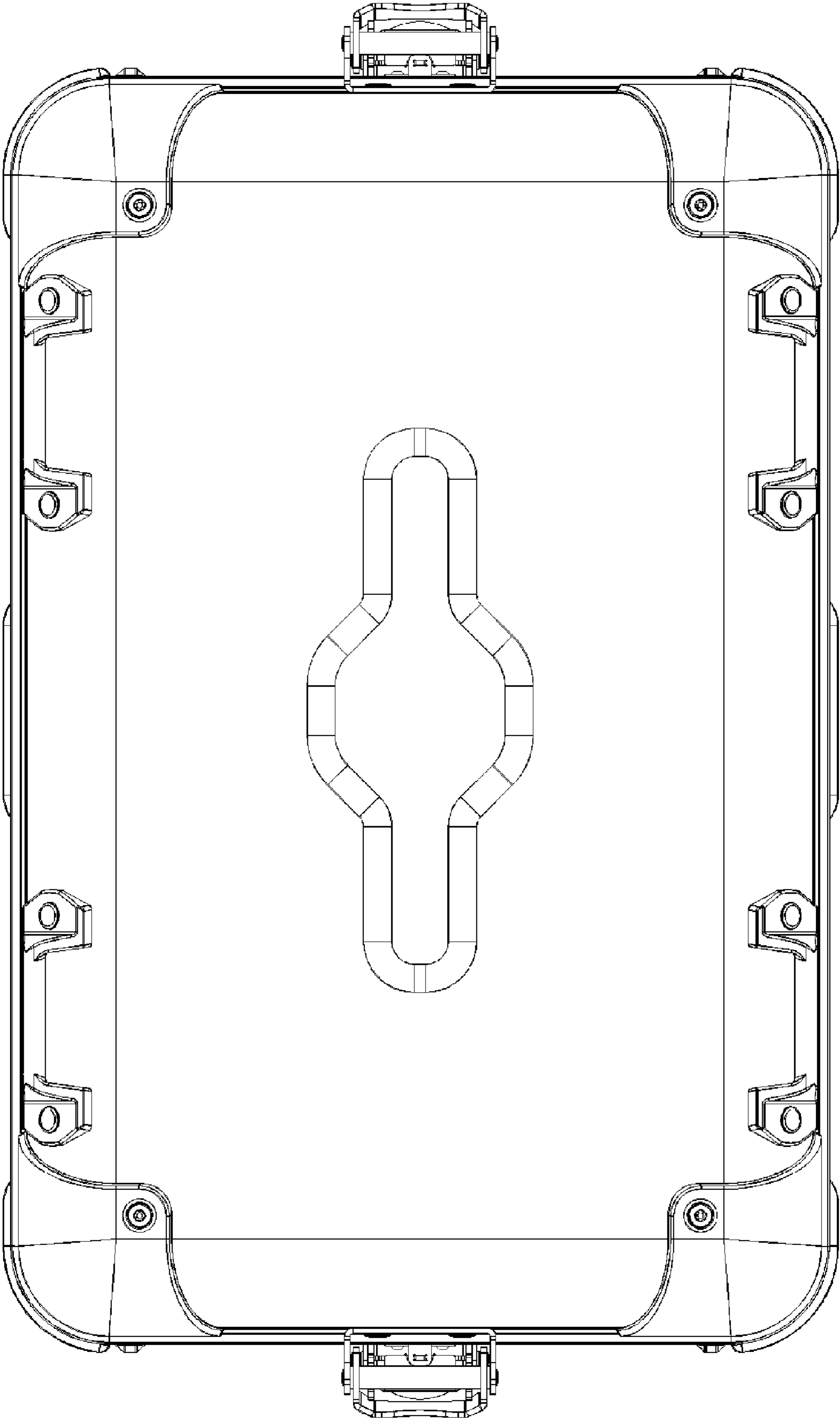


Fig. 4

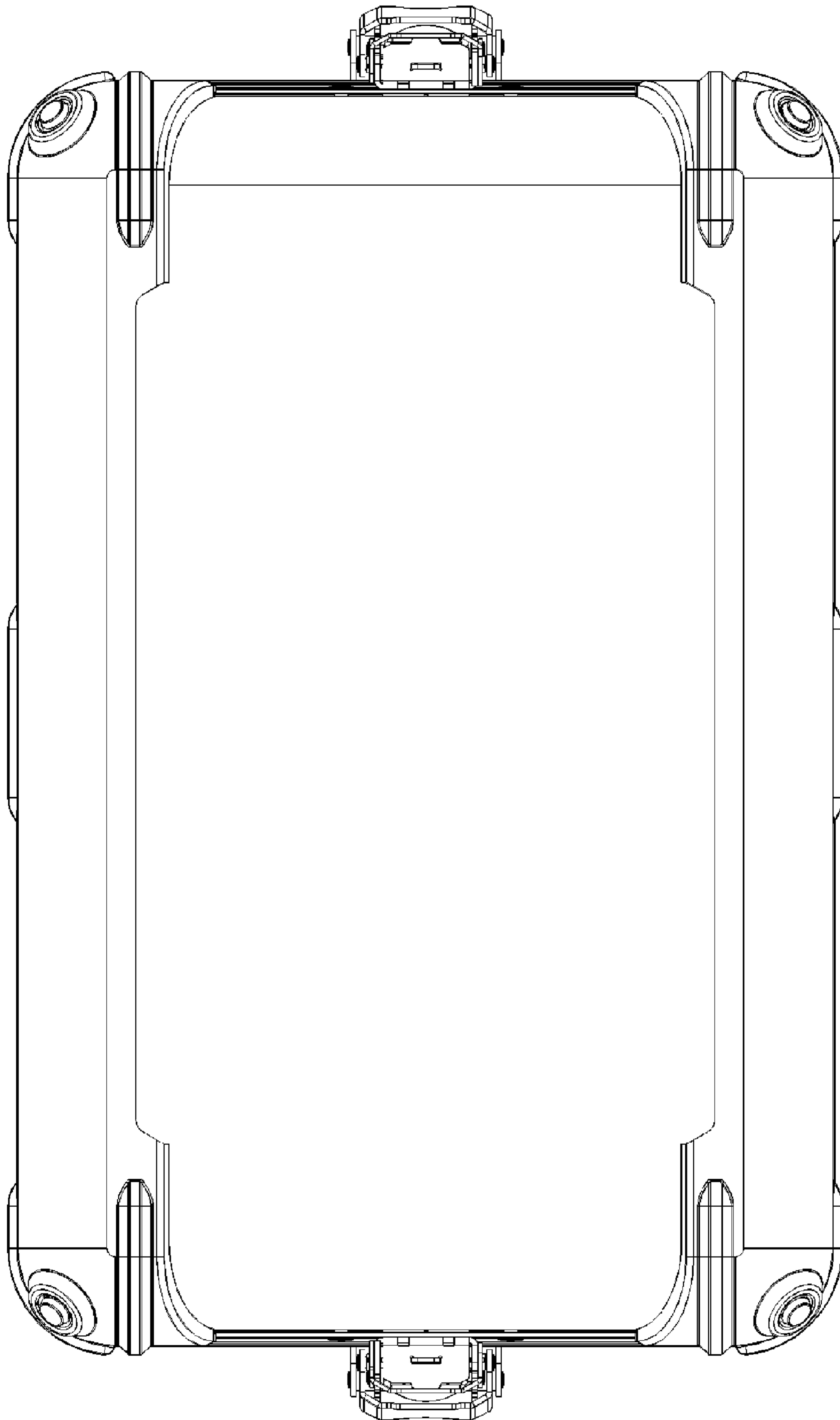


Fig. 5

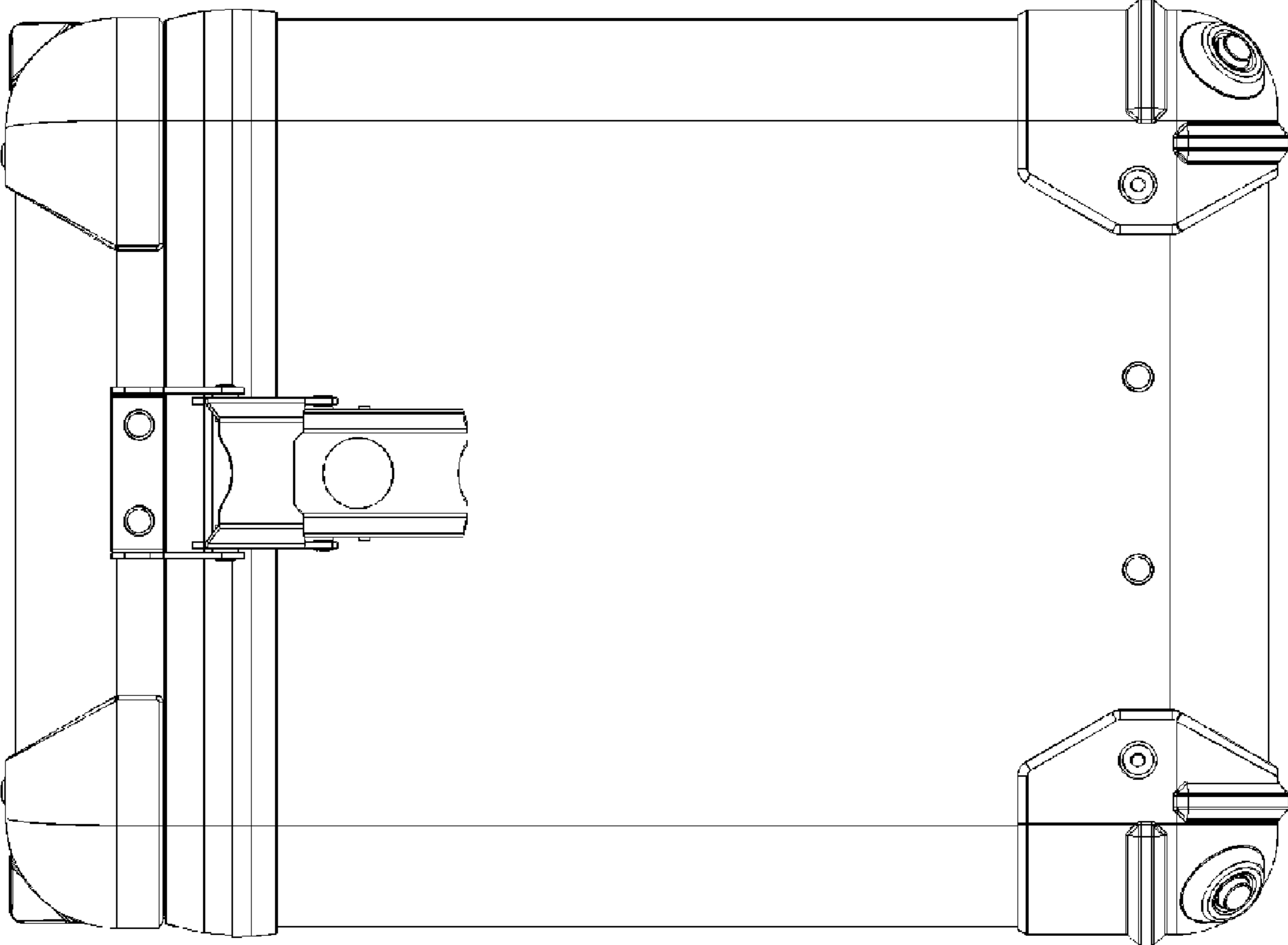


Fig. 6



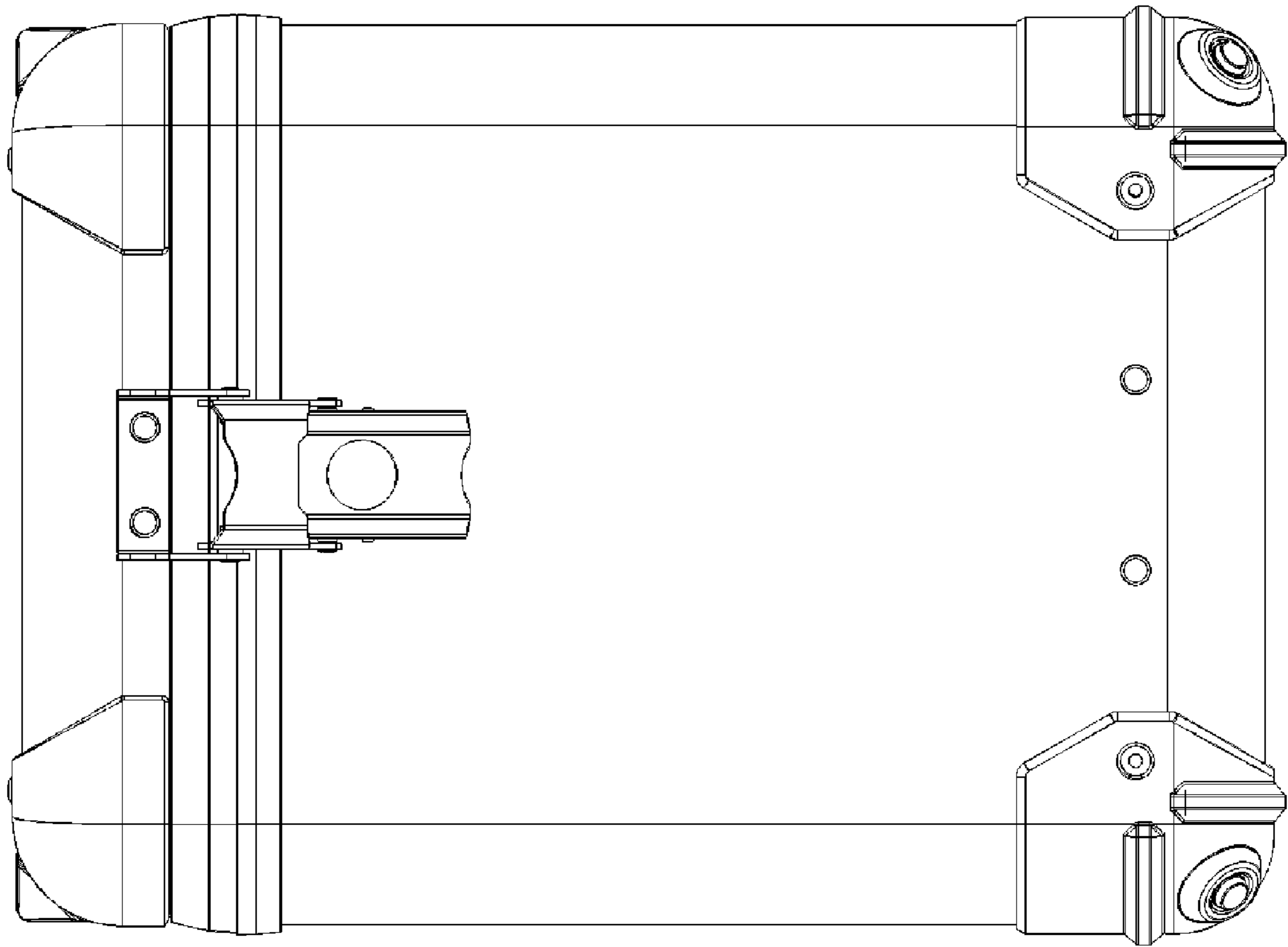


Fig. 7