



US00D615019S

(12) **United States Design Patent**
Jien

(10) **Patent No.:** **US D615,019 S**

(45) **Date of Patent:** **** May 4, 2010**

(54) **FLAT CLEAT**

(75) **Inventor:** **Lee-Wen Jien, Kaohsiung (TW)**

(73) **Assignee:** **Tyrone Marine Hardware Co., Ltd.,
Kaohsiung (TW)**

(**) **Term:** **14 Years**

(21) **Appl. No.:** **29/264,477**

(22) **Filed:** **Aug. 11, 2006**

(51) **LOC (9) Cl.** **12-06**

(52) **U.S. Cl.** **D12/317; D8/356**

(58) **Field of Classification Search** **D12/317,
D12/318; D8/301, 331, 349, 356, 382; 114/217,
114/218**

See application file for complete search history.

(56) **References Cited**

U.S. PATENT DOCUMENTS

3,747,554	A *	7/1973	Allen	114/218
4,270,478	A *	6/1981	Kafka et al.	114/218
4,354,445	A *	10/1982	Kafka et al.	114/218
4,964,355	A *	10/1990	Milewski	114/218
D324,636	S *	3/1992	Schlack et al.	D8/331
5,438,944	A *	8/1995	Burke	114/218
5,535,694	A *	7/1996	Czipri	114/218
5,983,820	A *	11/1999	Whitley	114/218
D430,099	S *	8/2000	Sobey	D12/317

D458,891	S *	6/2002	Whitley	D12/317
D459,192	S *	6/2002	Weinerman et al.	D8/331
D475,602	S *	6/2003	McCloskey	D8/331
D489,959	S *	5/2004	Jackson et al.	D8/331
D506,120	S *	6/2005	Straka et al.	D8/331
D530,181	S *	10/2006	Straka et al.	D8/301
7,131,387	B1 *	11/2006	Czipri	114/218
7,401,564	B1 *	7/2008	Ham	114/218
2005/0011428	A1 *	1/2005	Steele	114/218

* cited by examiner

Primary Examiner—Philip S Hyder

Assistant Examiner—Cynthia M Chin

(74) *Attorney, Agent, or Firm*—Rosenberg, Klein & Lee

(57) **CLAIM**

The ornamental design for a flat cleat, as shown.

DESCRIPTION

FIG. 1 is a front right perspective view of a flat cleat showing my new design;

FIG. 2 is a front elevation view thereof;

FIG. 3 is a rear elevation view thereof;

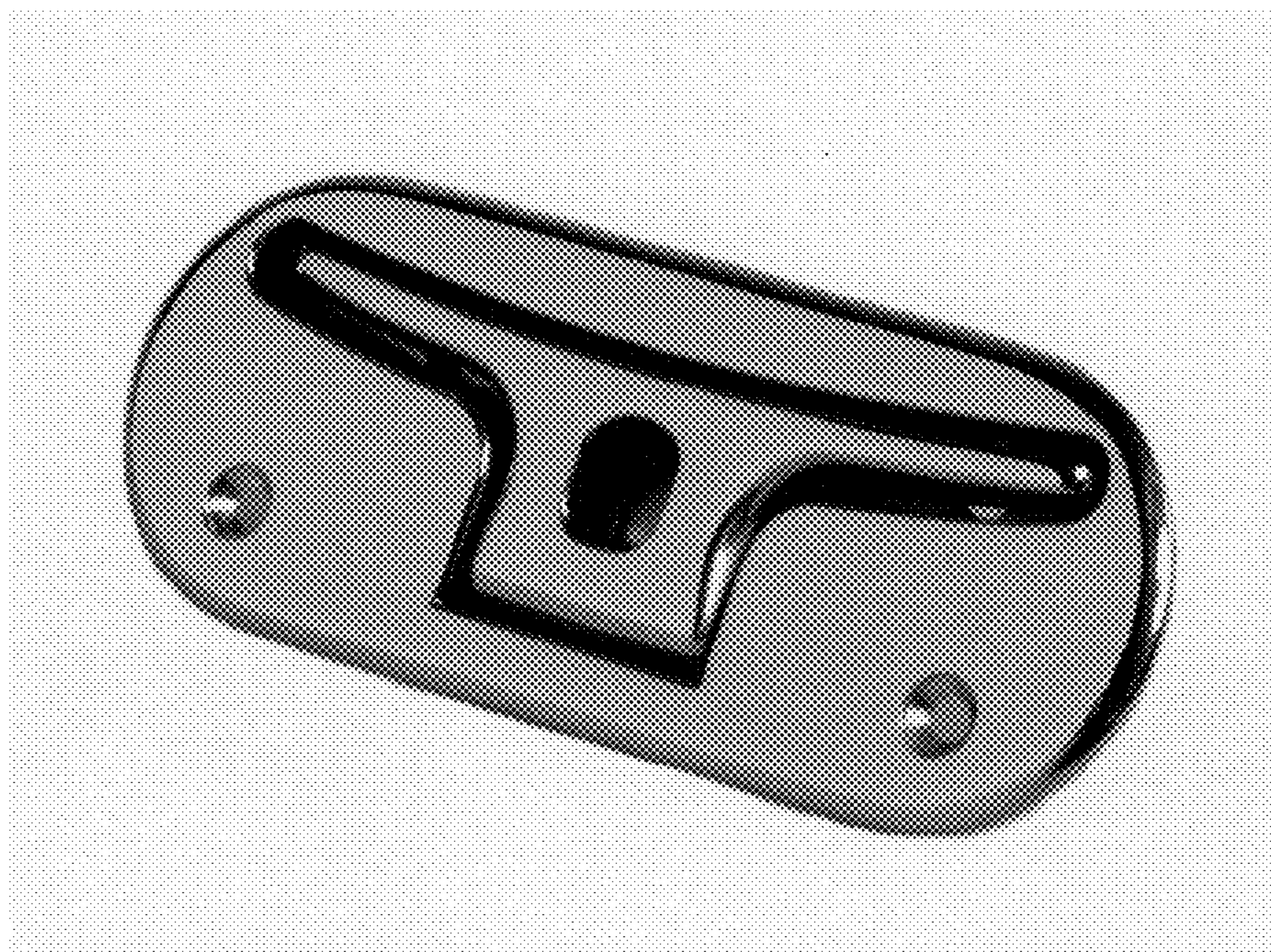
FIG. 4 is a left side elevation view thereof;

FIG. 5 is a right side elevation view thereof;

FIG. 6 is a top plan view thereof; and,

FIG. 7 is a bottom plan view thereof.

1 Claim, 4 Drawing Sheets



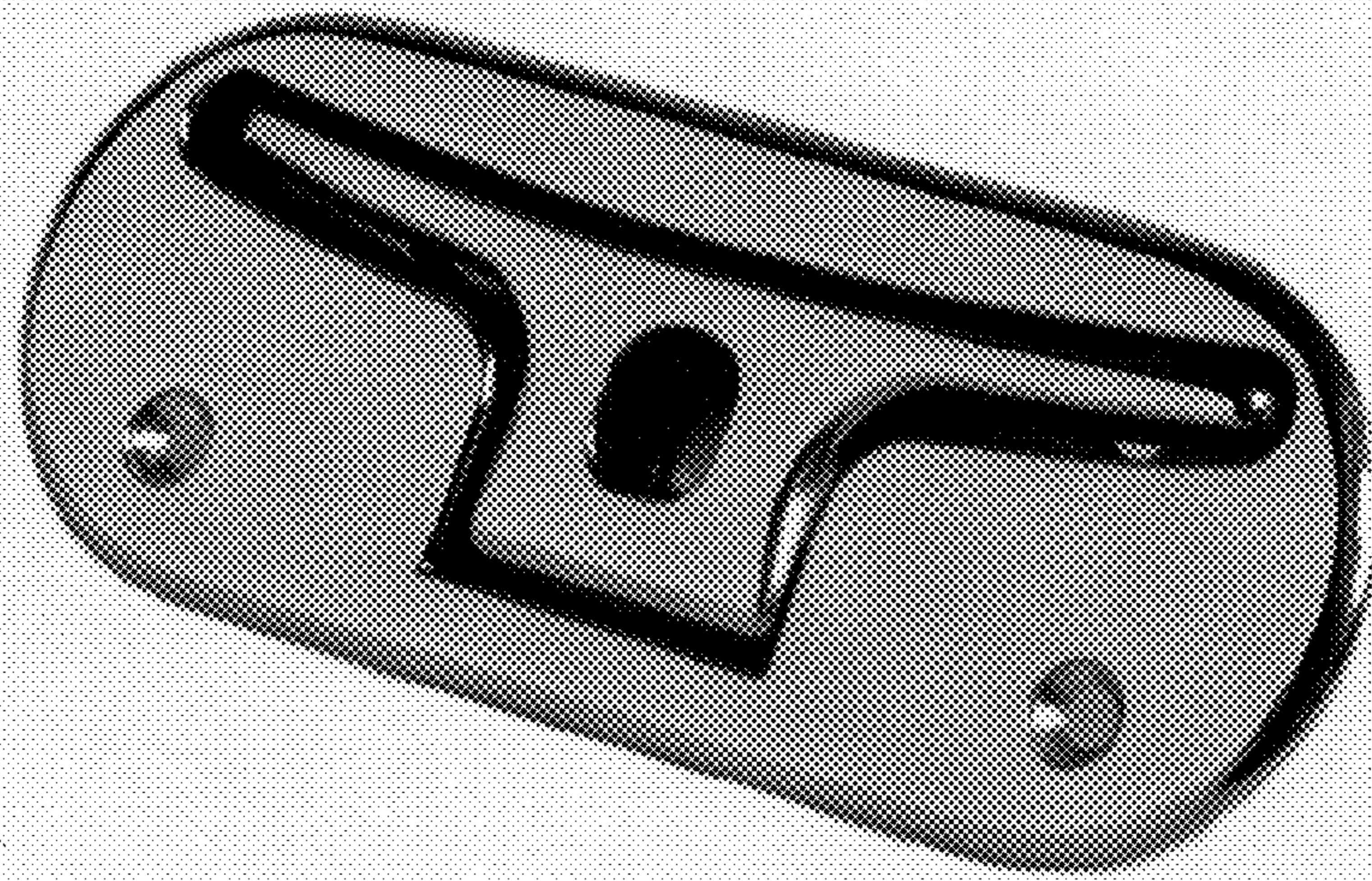


FIG. 1

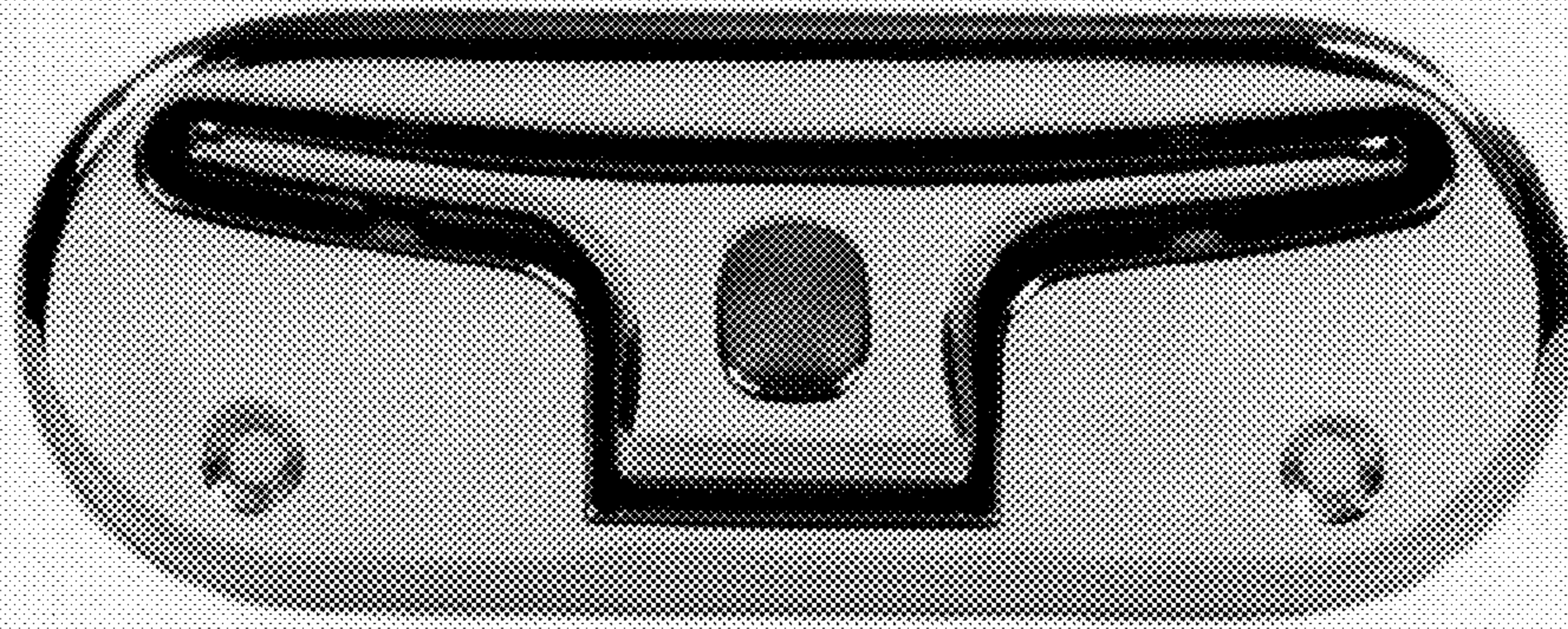


FIG. 2

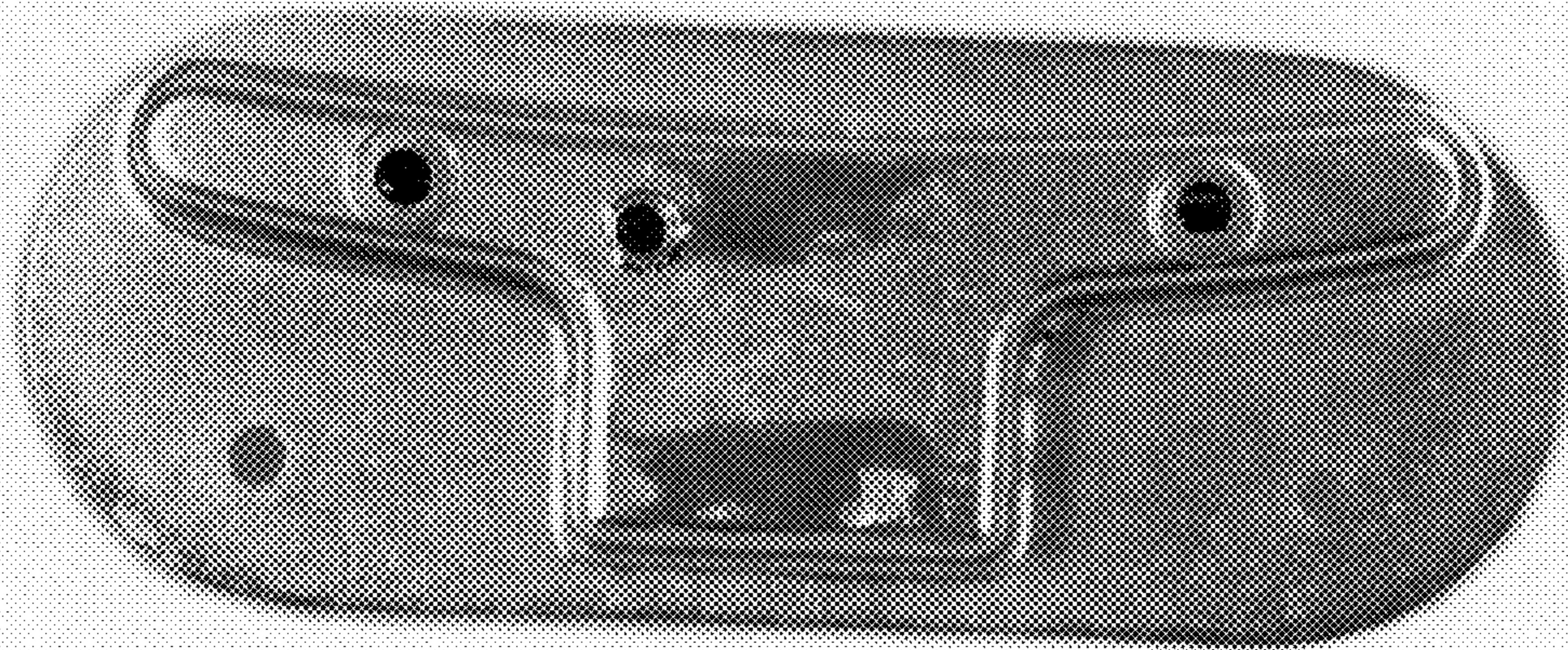


FIG. 3

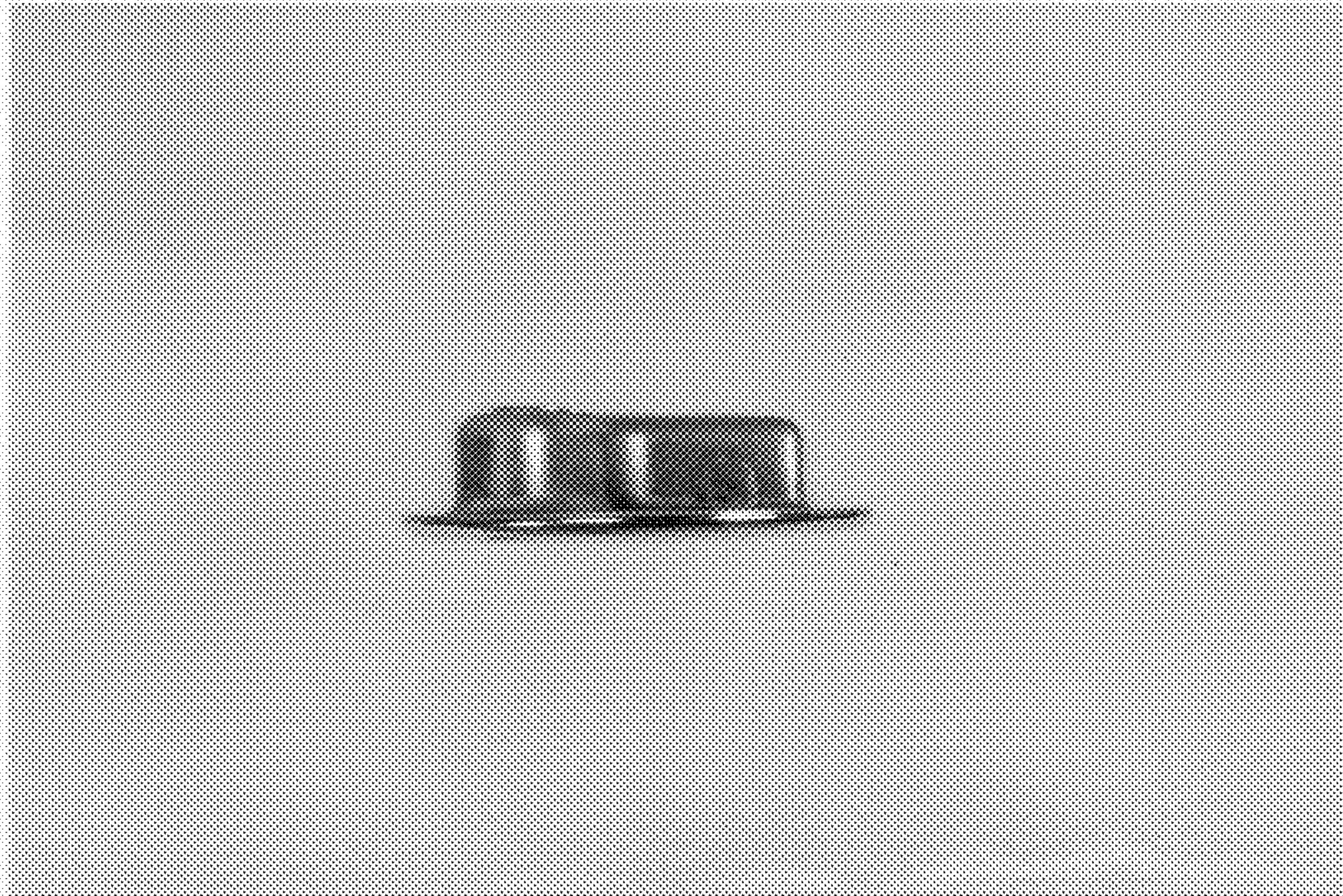


FIG. 5

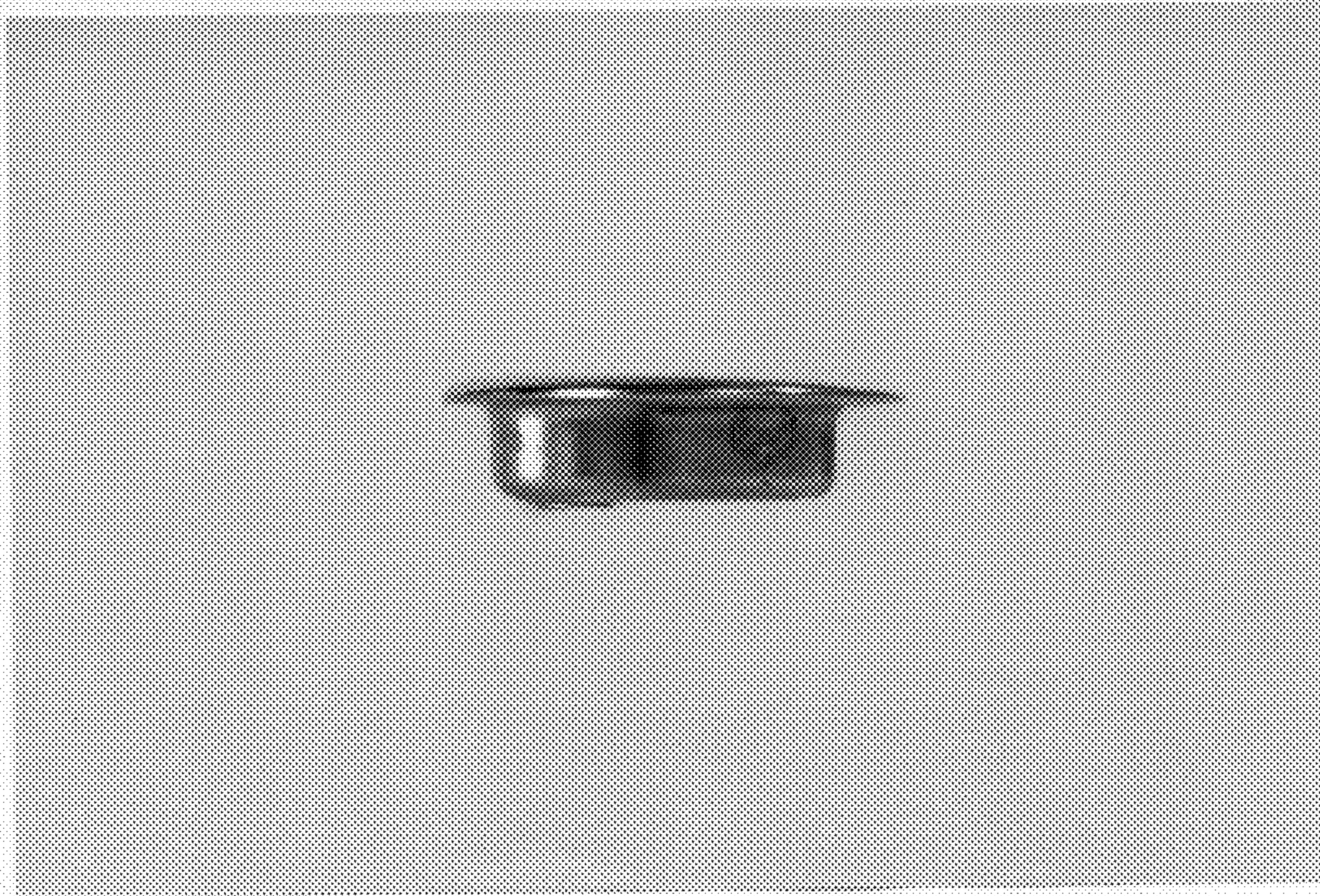


FIG. 4



FIG. 6



FIG. 7