



US00D615018S

(12) **United States Design Patent**  
**Truebsbach**

(10) **Patent No.:** **US D615,018 S**

(45) **Date of Patent:** **\*\* May 4, 2010**

(54) **WHEEL OR WHEEL COVER**

(75) Inventor: **Sebastian Truebsbach**, Munich (DE)

(73) Assignee: **Bayerische Motoren Werke Aktiengesellschaft**, Munich (DE)

(\*\*) Term: **14 Years**

(21) Appl. No.: **29/347,019**

(22) Filed: **Aug. 24, 2009**

(30) **Foreign Application Priority Data**

Feb. 25, 2009 (DE) ..... 402009001117

(51) **LOC (9) Cl.** ..... **12-16**

(52) **U.S. Cl.** ..... **D12/211**

(58) **Field of Classification Search** ..... D12/204–213;  
301/37.101, 64.101, 65, 64.201  
See application file for complete search history.

(56) **References Cited**

**U.S. PATENT DOCUMENTS**

- D503,918 S \* 4/2005 Fahr-Becker ..... D12/211
- D516,002 S \* 2/2006 Fahr-Becker ..... D12/211
- D522,434 S \* 6/2006 Langer ..... D12/209
- D567,167 S \* 4/2008 Forster ..... D12/211

- D579,399 S \* 10/2008 Schweizer ..... D12/211
- D585,354 S \* 1/2009 Powell et al. .... D12/211
- D589,428 S \* 3/2009 Scheu ..... D12/211
- D593,478 S \* 6/2009 Tirado ..... D12/211
- D594,396 S \* 6/2009 Juergens et al. .... D12/209
- D594,802 S \* 6/2009 Gustafsson ..... D12/211
- D596,549 S \* 7/2009 Varga ..... D12/211
- D603,779 S \* 11/2009 Futschik et al. .... D12/211

\* cited by examiner

*Primary Examiner*—Stacia Cadmus

(74) *Attorney, Agent, or Firm*—Crowell & Moring LLP

(57) **CLAIM**

The ornamental design for a wheel or wheel cover, as shown and described.

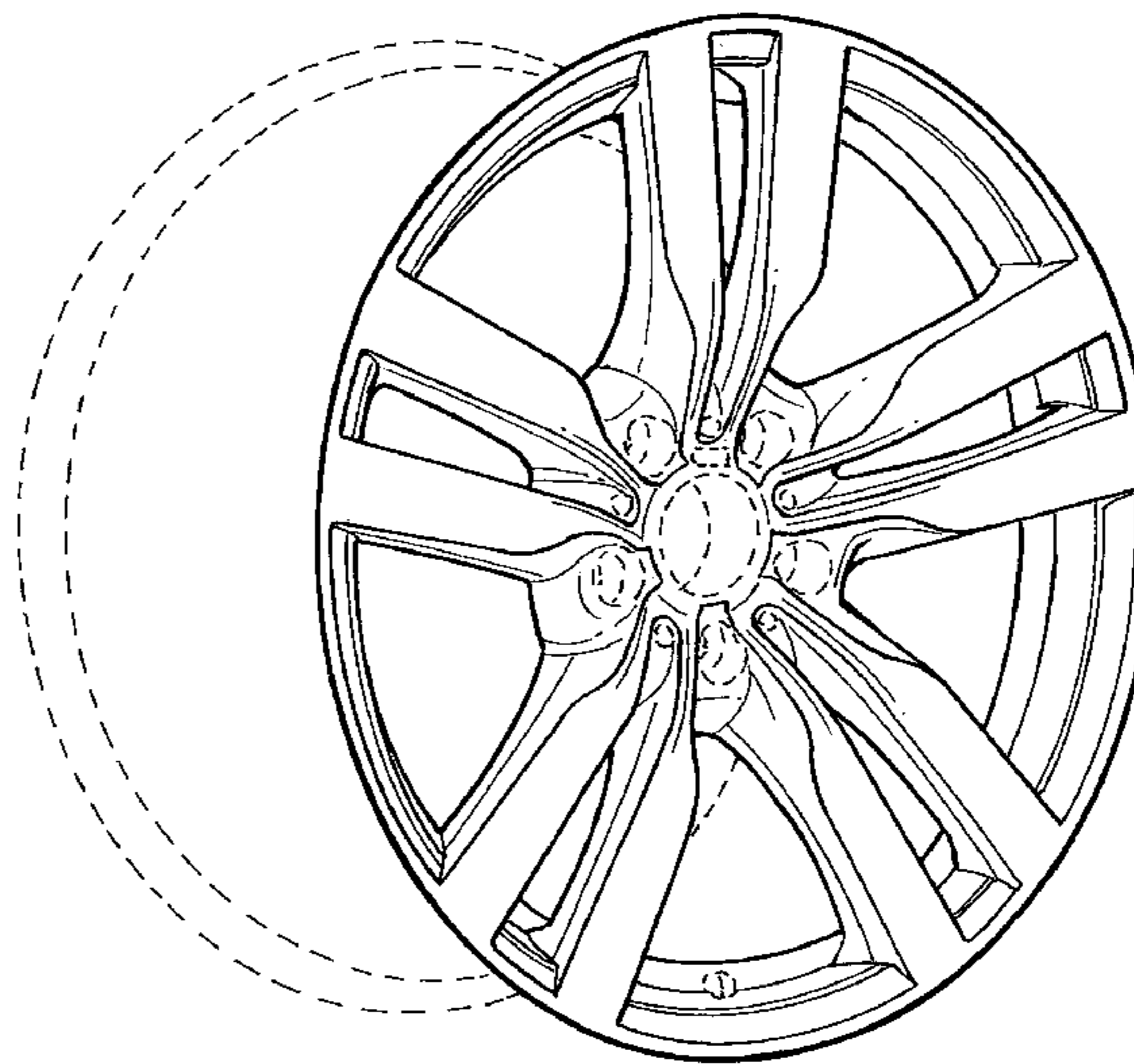
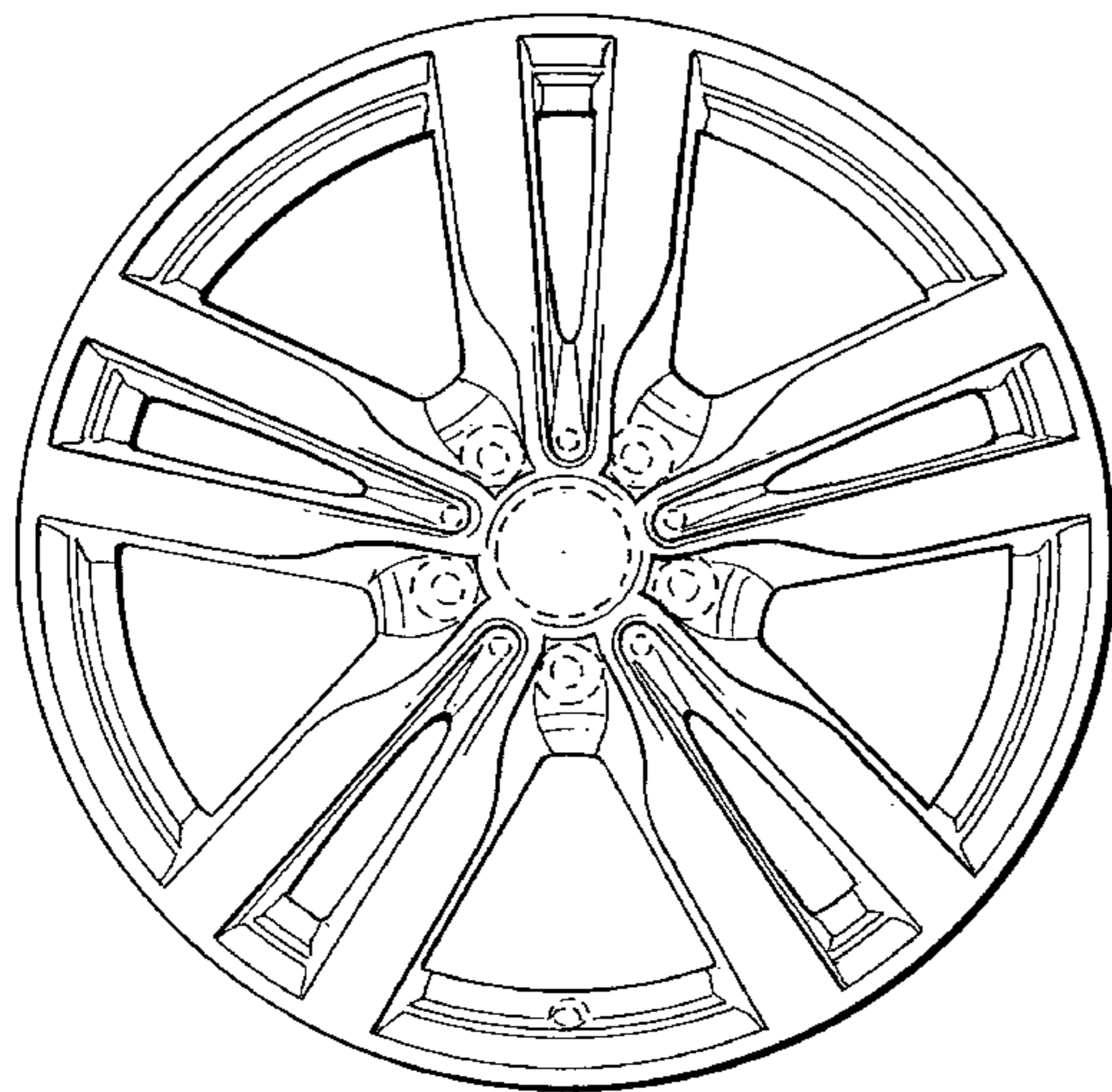
**DESCRIPTION**

FIG. 1 is a front view of a wheel or wheel cover according to my design; and,

FIG. 2 is a perspective view thereof.

The broken line showing of the rear of the rim and the bolt holes and center hole in the central hub area is included for the purpose of illustrating environment and forms no part of the claimed design.

**1 Claim, 1 Drawing Sheet**



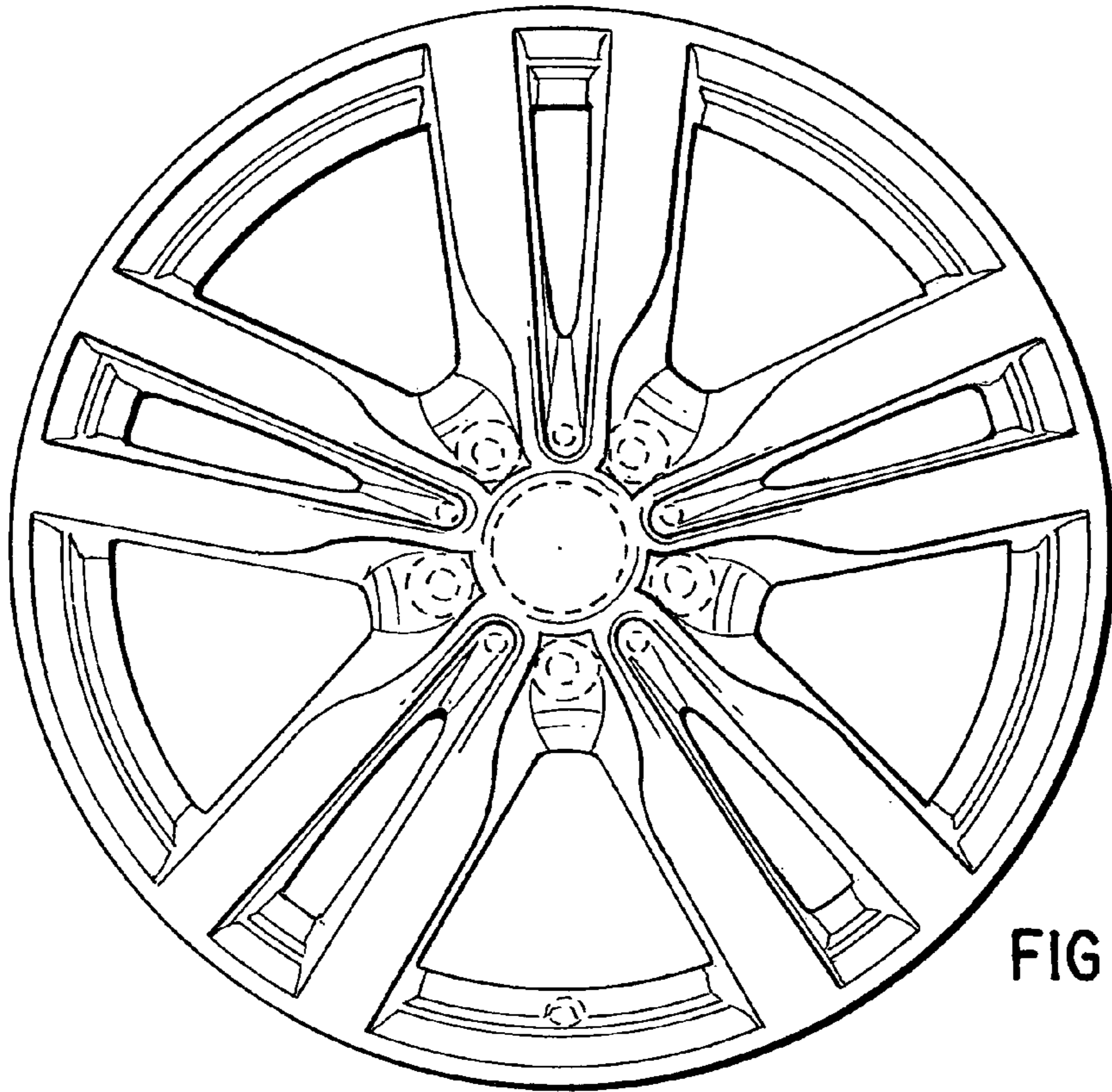


FIG. 1

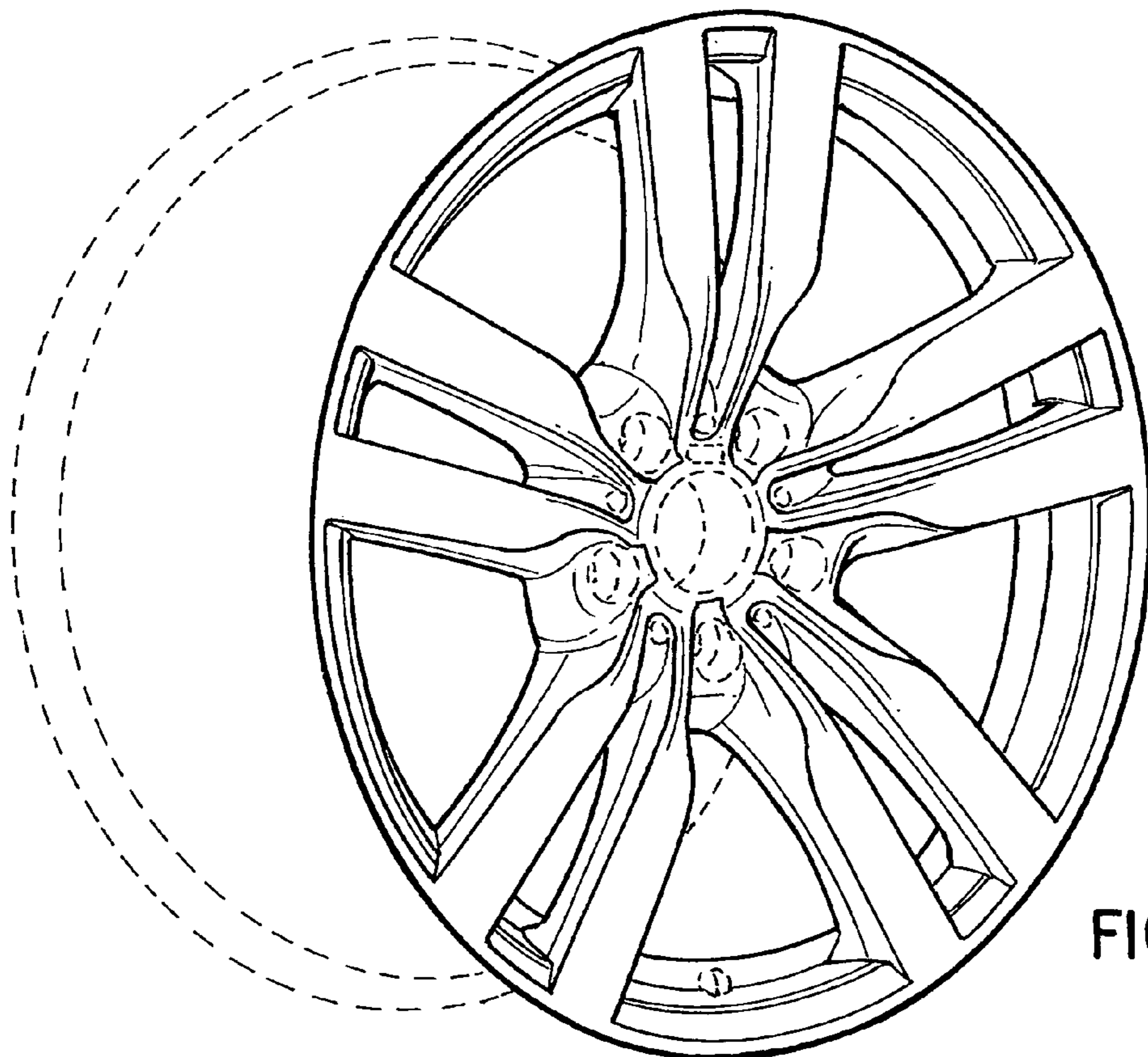


FIG. 2



US00D615018C1

(12) **EX PARTE REEXAMINATION CERTIFICATE** (9256th)  
**United States Patent**  
**Truebsbach**

(10) **Number:** **US D615,018 C1**  
(45) **Certificate Issued:** **Aug. 28, 2012**

(54) **WHEEL OR WHEEL COVER**

(75) **Inventor:** **Sebastian Truebsbach**, Munich (DE)

(73) **Assignee:** **Bayerische Motoren Werke  
Aktiengesellschaft**, Munich (DE)

(51) **LOC (9) Cl.** ..... 12-16

(52) **U.S. Cl.** ..... **D12/211**

(58) **Field of Classification Search** ..... D12/204,  
D12/209, 210–212

See application file for complete search history.

**Reexamination Request:**

No. 90/011,371, Dec. 6, 2010

**Reexamination Certificate for:**

Patent No.: **Des. 615,018**

Issued: **May 4, 2010**

Appl. No.: **29/347,019**

Filed: **Aug. 24, 2009**

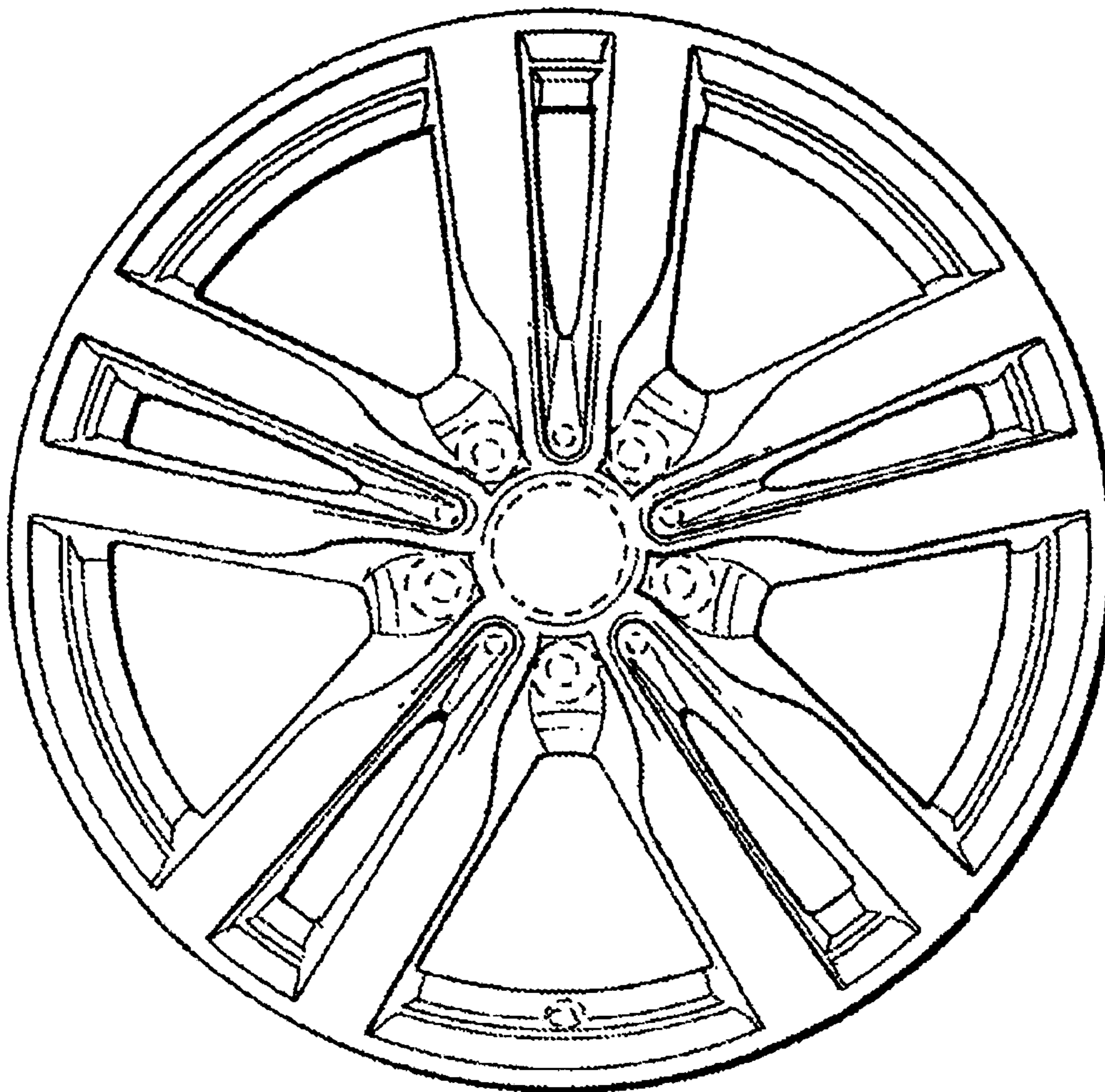
(56) **References Cited**

To view the complete listing of prior art documents cited during the proceeding for Reexamination Control Number 90/011,371, please refer to the USPTO's public Patent Application Information Retrieval (PAIR) system under the Display References tab.

(30) **Foreign Application Priority Data**

Feb. 25, 2009 (DE) ..... 402009001117

*Primary Examiner*—Adir Aronovich



**EX PARTE  
REEXAMINATION CERTIFICATE  
ISSUED UNDER 35 U.S.C. 307**

AS A RESULT OF REEXAMINATION, IT HAS BEEN  
DETERMINED THAT:

The patentability of the sole claim is confirmed.

\* \* \* \* \*