



US00D615017S

(12) **United States Design Patent**  
**Smith**

(10) **Patent No.:** **US D615,017 S**

(45) **Date of Patent:** **\*\* May 4, 2010**

(54) **EXTENDED VEHICLE DOOR PANEL**

(76) Inventor: **Cabot Smith**, 99 Newark St., Haverhill, MA (US) 01832

(\*\*) Term: **14 Years**

(21) Appl. No.: **29/348,525**

(22) Filed: **Jan. 15, 2010**

(51) **LOC (9) Cl.** ..... **12-08**

(52) **U.S. Cl.** ..... **D12/195**

(58) **Field of Classification Search** ..... D12/190, D12/195, 196, 400, 12; 49/501–502; 296/37.1–37.13, 296/149, 146.1, 153; D8/302–303

See application file for complete search history.

(56) **References Cited**

**U.S. PATENT DOCUMENTS**

D458,883 S *	6/2002	Tsay et al.	.....	D12/195
D489,304 S *	5/2004	Schowalter et al.	.....	D12/195
D497,337 S *	10/2004	Takagi et al.	.....	D12/195
D519,896 S *	5/2006	Sudo	.....	D12/195
D521,917 S *	5/2006	Takagi et al.	.....	D12/195
D534,470 S *	1/2007	Tsuchiya et al.	.....	D12/195
D536,650 S *	2/2007	Young et al.	.....	D12/195
D573,074 S *	7/2008	Nakajima	.....	D12/195
D577,646 S *	9/2008	Wyszogrod et al.	.....	D12/195

D595,200 S \* 6/2009 Rosenbohm ..... D12/195

\* cited by examiner

*Primary Examiner*—Stacia Cadmus

(74) *Attorney, Agent, or Firm*—Lambert and Associates; Gary E. Lambert

(57) **CLAIM**

The ornamental design for an extended vehicle door panel, as shown and described.

**DESCRIPTION**

FIG. 1 is a isometric perspective view of the extended vehicle door panel, illustrating the extended door area and the bottle holder mechanism, and the magazine and newspaper pouch mechanism which embodies my design;

FIG. 2 is a front view of the extended vehicle door panel;

FIG. 3 is a rear view of the extended vehicle door panel;

FIG. 4 is a right view of the extended vehicle door panel;

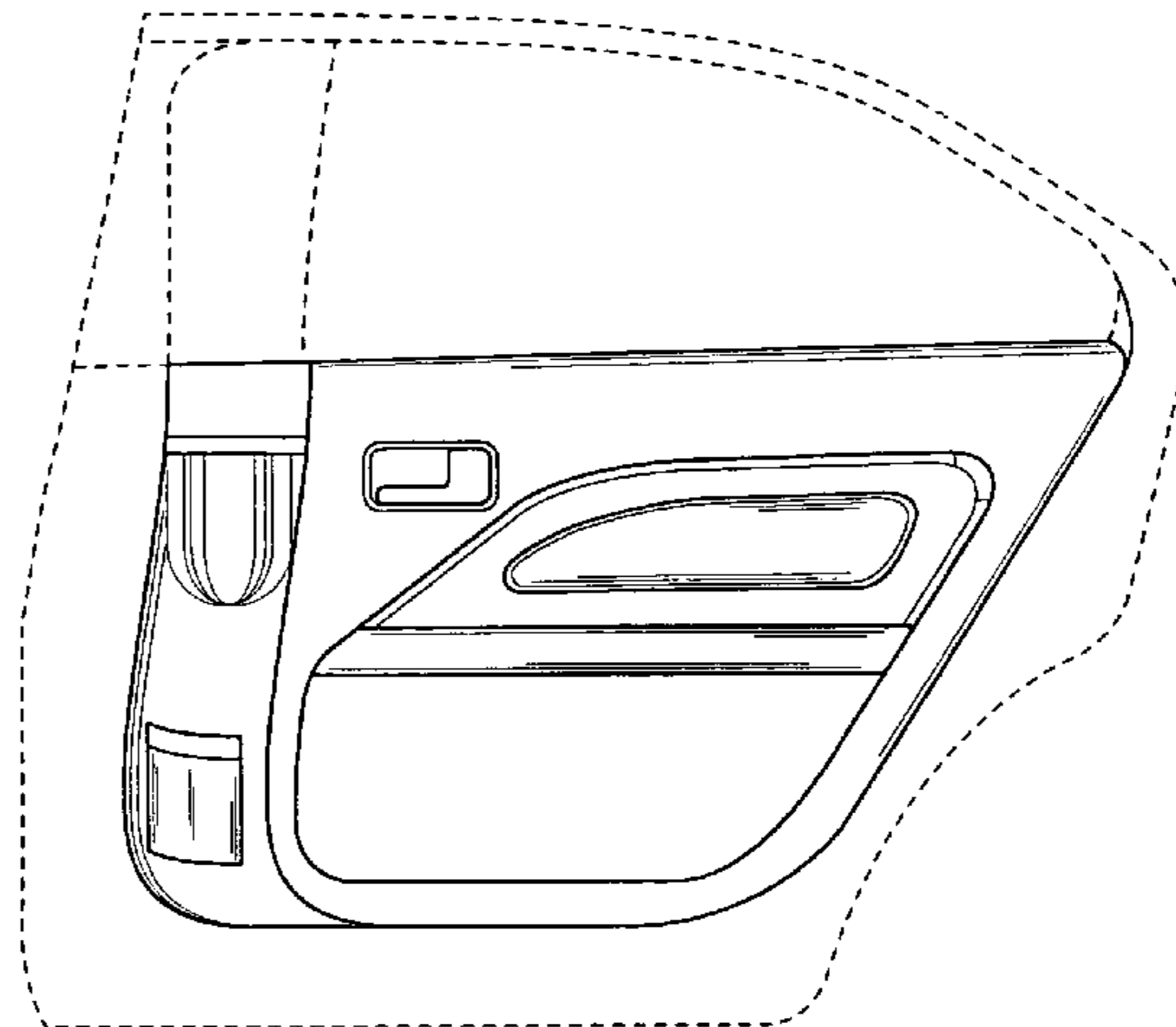
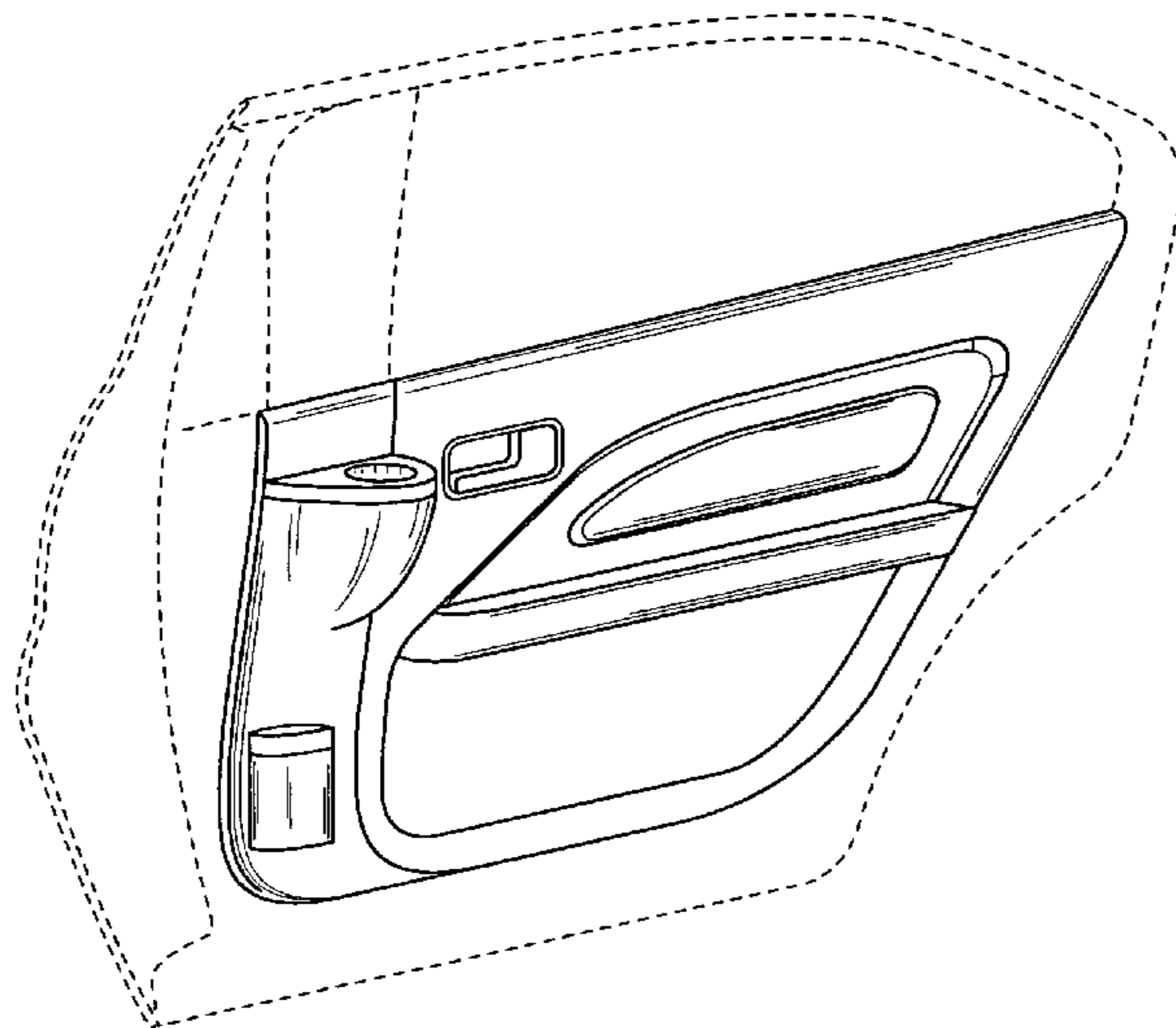
FIG. 5 is a left view of the extended vehicle door panel;

FIG. 6 is a top view of the extended vehicle door panel; and,

FIG. 7 is a bottom view of the extended vehicle door panel.

The broken line showing of the vehicle door is included for the purpose of illustrating environment and forms no part of the claimed design.

**1 Claim, 4 Drawing Sheets**



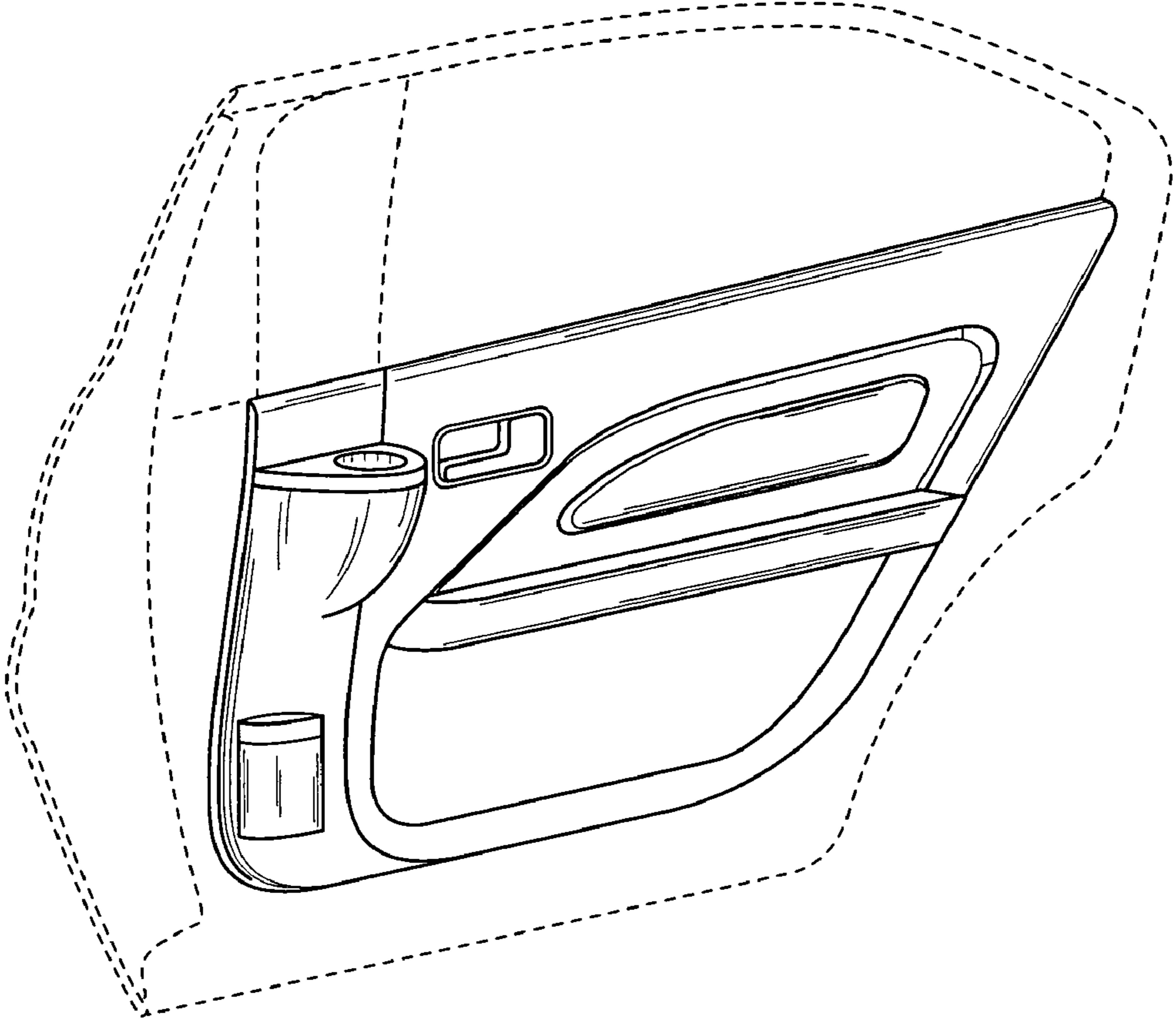


FIG. 1

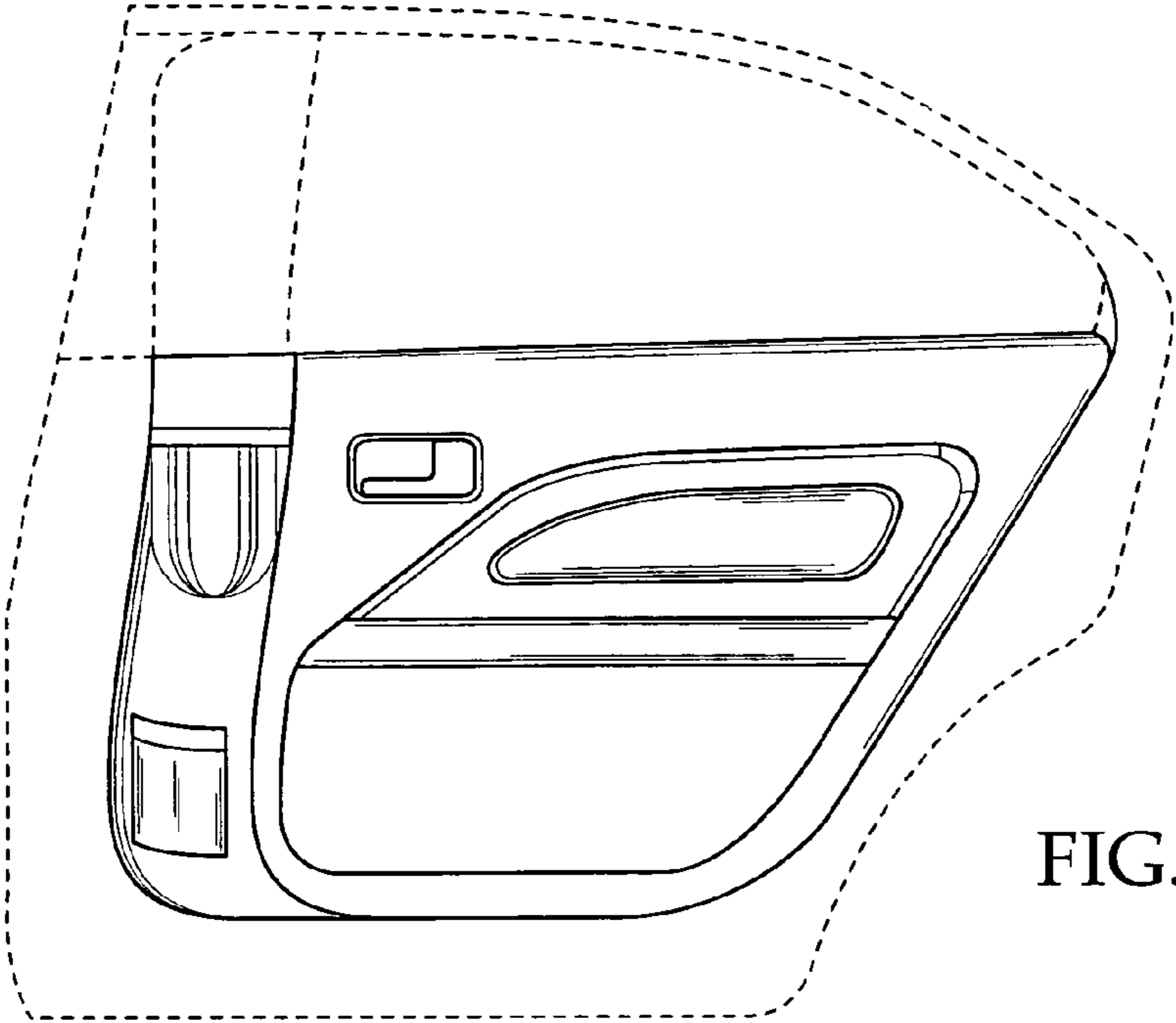


FIG. 2

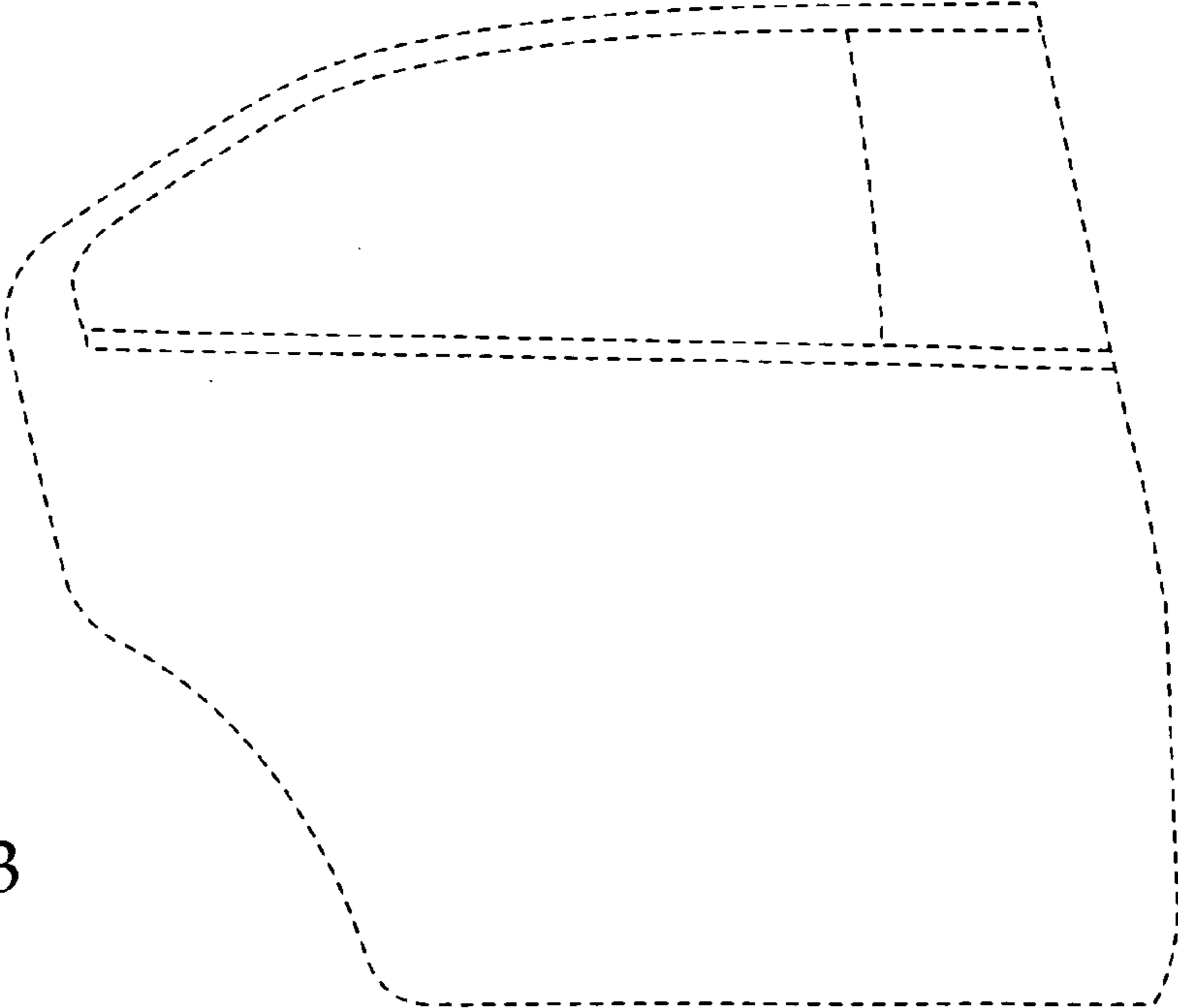


FIG. 3

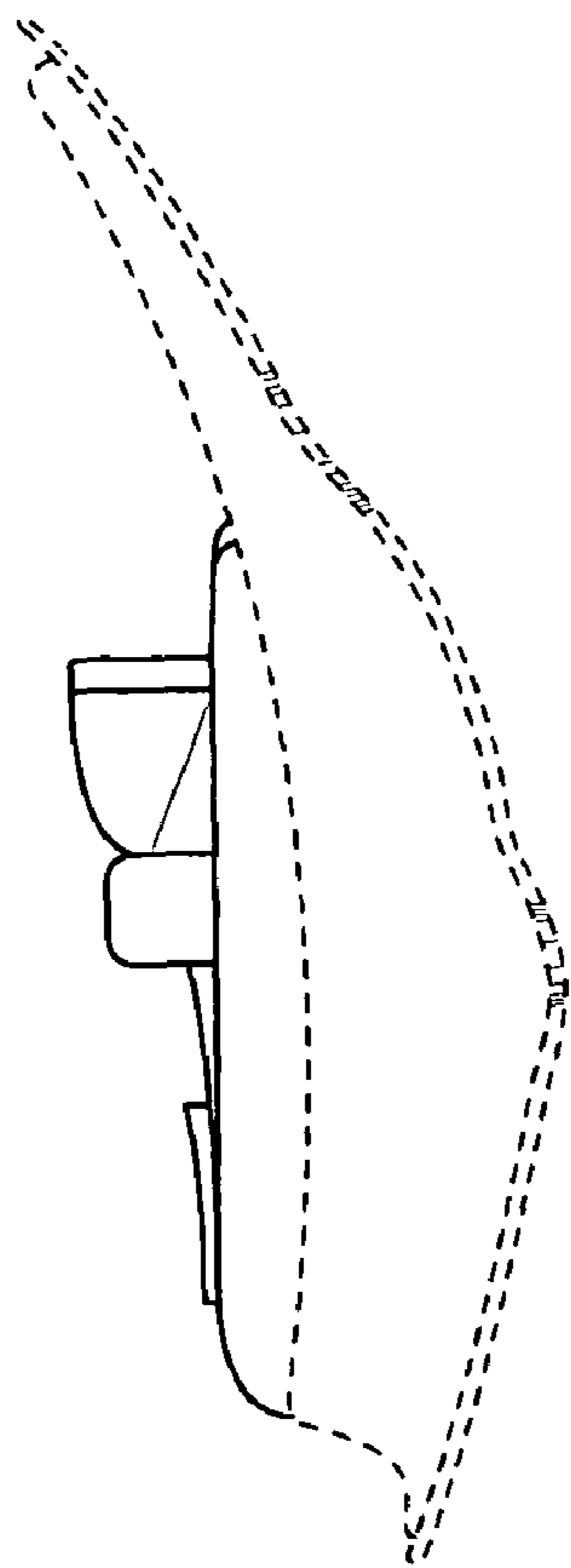


FIG. 4

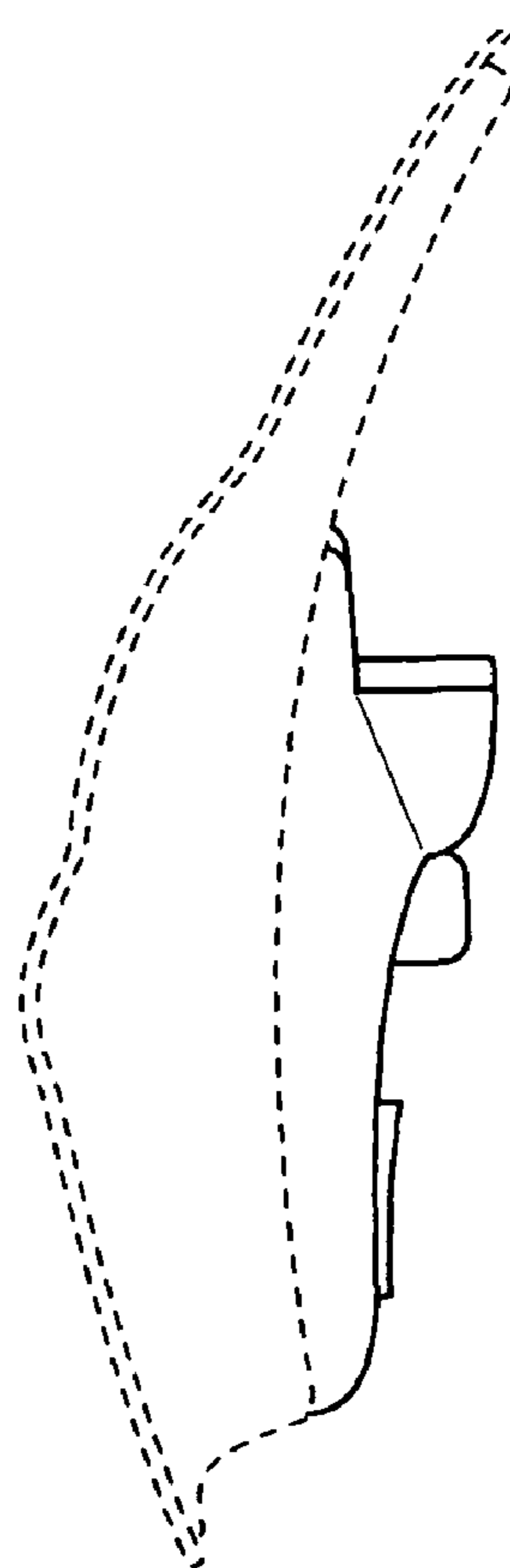


FIG. 5

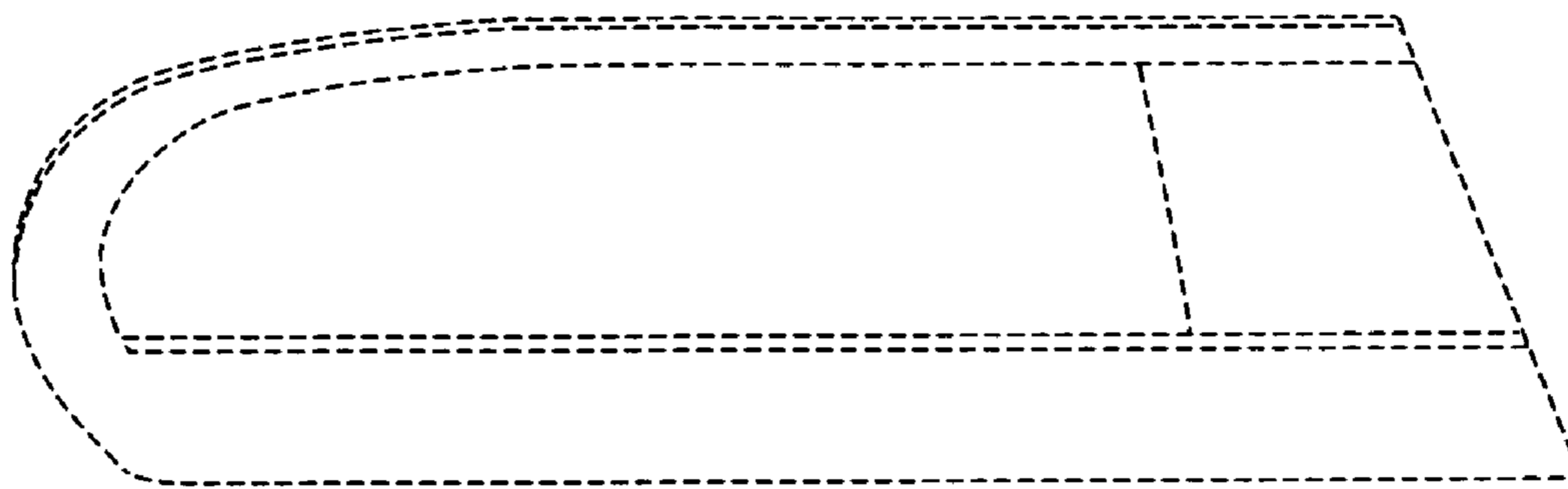


FIG. 6

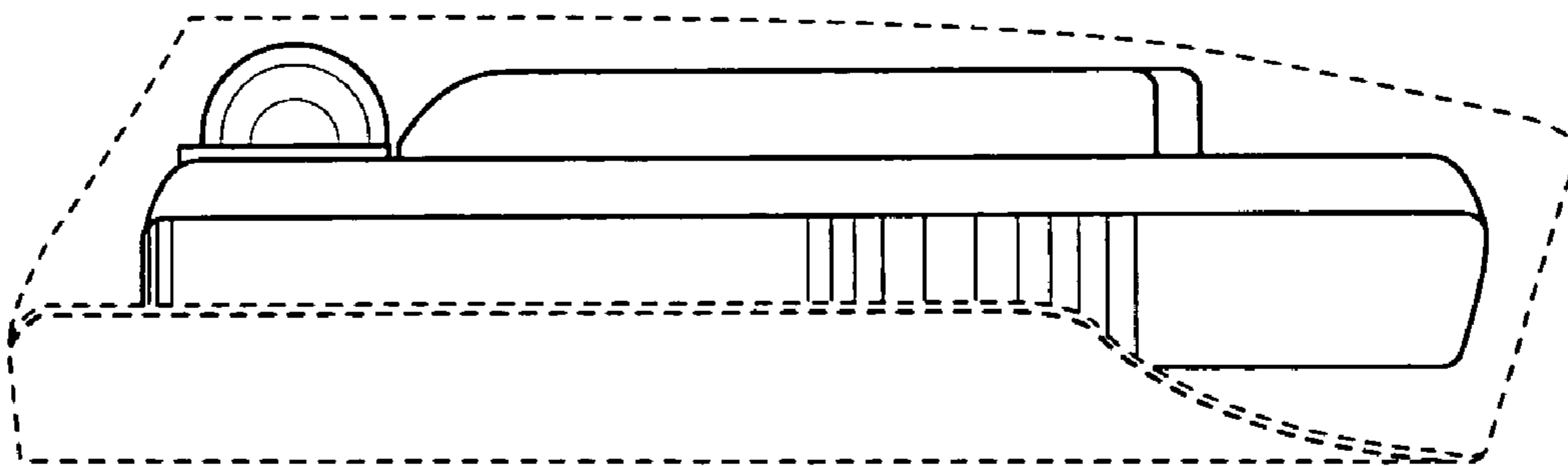


FIG. 7