



US00D615015S

(12) **United States Design Patent**
Wiora et al.

(10) **Patent No.:** **US D615,015 S**

(45) **Date of Patent:** **** May 4, 2010**

(54) **VEHICLE DOOR COVER**

(75) Inventors: **Steven L. Wiora**, Sycamore, IL (US);
Mark A. Prichard, Glen Ellyn, IL (US);
Krzysztof Grzyb, Aurora, IL (US)

(73) Assignee: **Control Solutions LLC**, Aurora, IL
(US)

(**) Term: **14 Years**

(21) Appl. No.: **29/346,957**

(22) Filed: **Nov. 9, 2009**

(51) **LOC (9) Cl.** **12-08**

(52) **U.S. Cl.** **D12/195**

(58) **Field of Classification Search** D12/190,
D12/195, 196, 400, 12; 49/501-502; 296/37.1-37.13,
296/149, 146.1, 153; D8/302-303
See application file for complete search history.

(56) **References Cited**

U.S. PATENT DOCUMENTS

| | | | | |
|--------------|---------|----------------|-------|---------|
| D296,883 S * | 7/1988 | Lim | | D12/195 |
| D338,865 S * | 8/1993 | Lim | | D12/195 |
| D348,644 S * | 7/1994 | Lim | | D12/195 |
| D409,965 S * | 5/1999 | Mueller et al. | | D12/195 |
| D513,215 S * | 12/2005 | Hall et al. | | D12/195 |

D607,802 S * 1/2010 Collins et al. D12/195

* cited by examiner

Primary Examiner—Stacia Cadmus

(74) *Attorney, Agent, or Firm*—The Eclipse Group LLP

(57) **CLAIM**

We claim the ornamental design for a vehicle door cover, as shown and described.

DESCRIPTION

FIG. 1 is a top left perspective view of the vehicle door cover;

FIG. 2 is a top right perspective view thereof;

FIG. 3 is a bottom left perspective view thereof;

FIG. 4 is a bottom right perspective view thereof;

FIG. 5 is a top view thereof;

FIG. 6 is a front view thereof;

FIG. 7 is a left side view thereof;

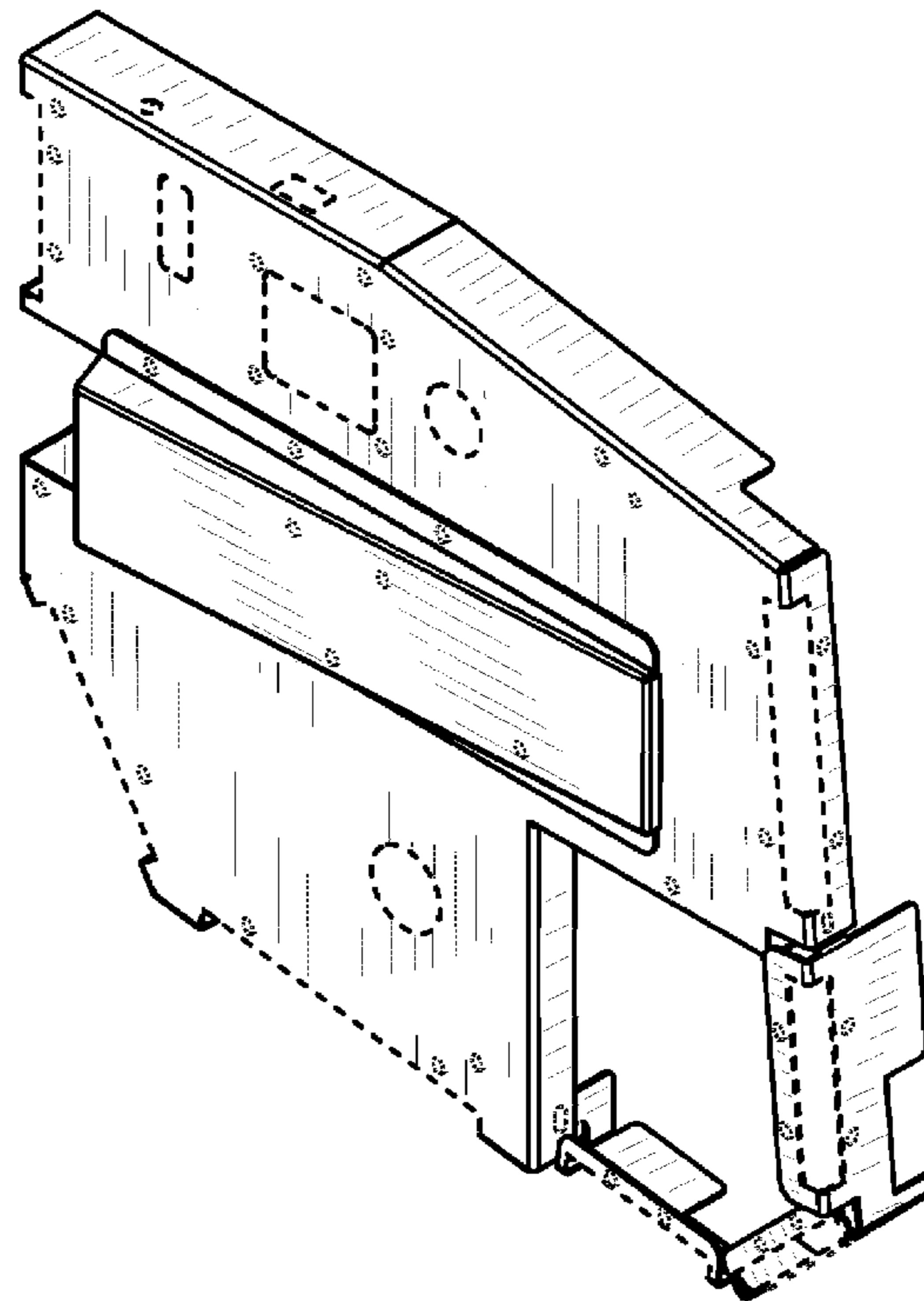
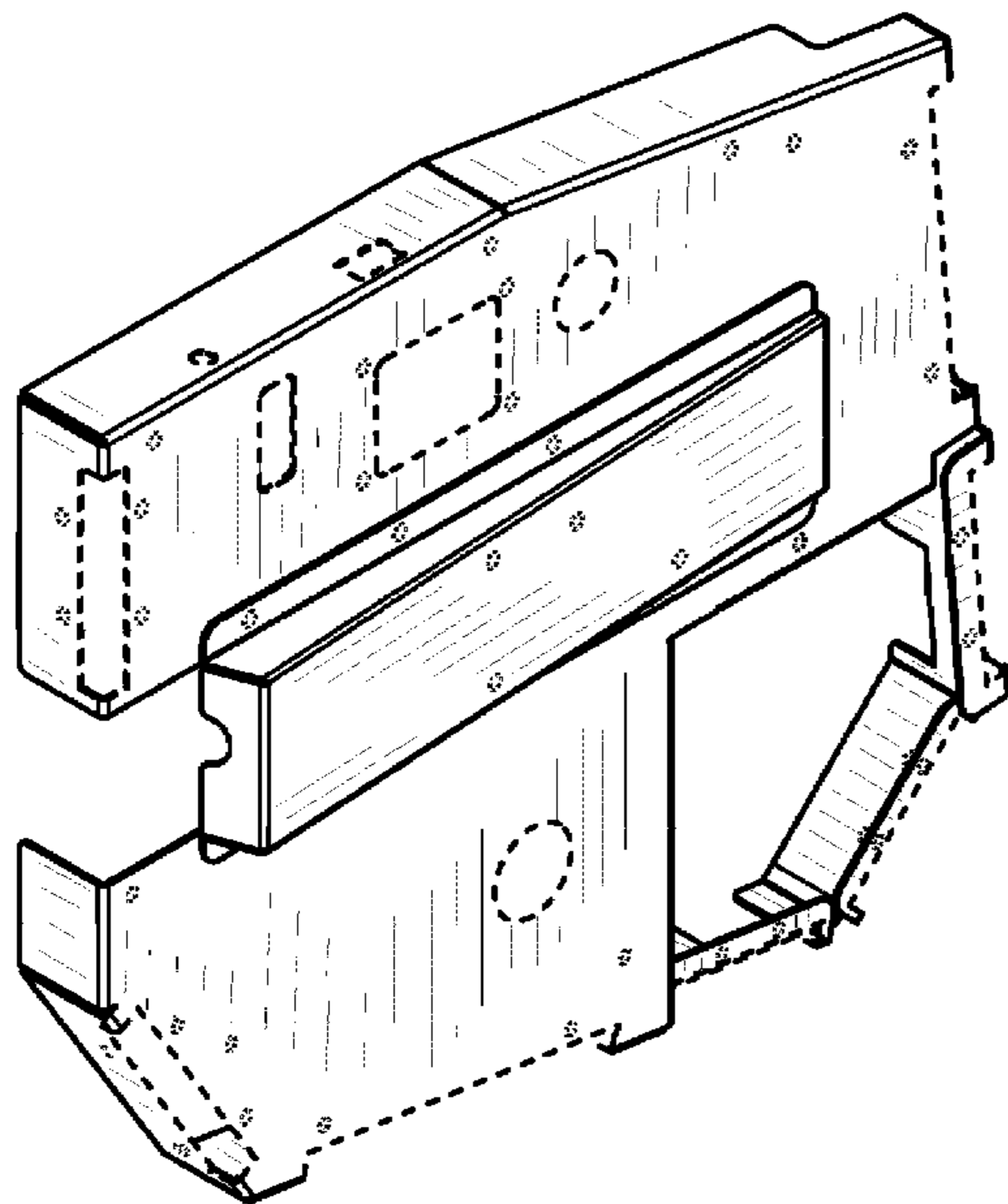
FIG. 8 is a back view thereof;

FIG. 9 is a bottom view thereof; and,

FIG. 10 is a right side view thereof.

The dashed lines in various figures are for illustrative purposes only and form no part of the claimed design.

1 Claim, 4 Drawing Sheets



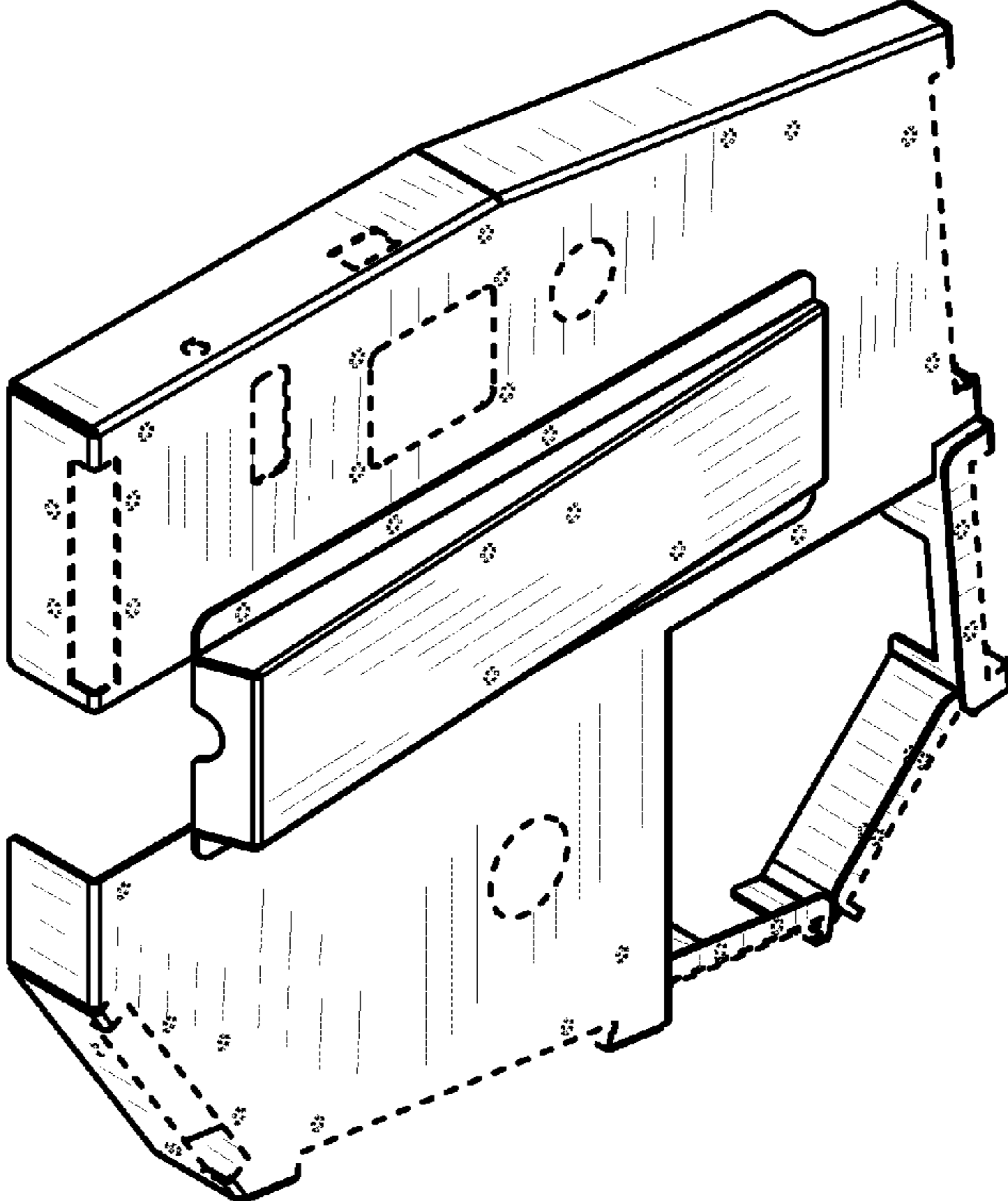


FIG. 1

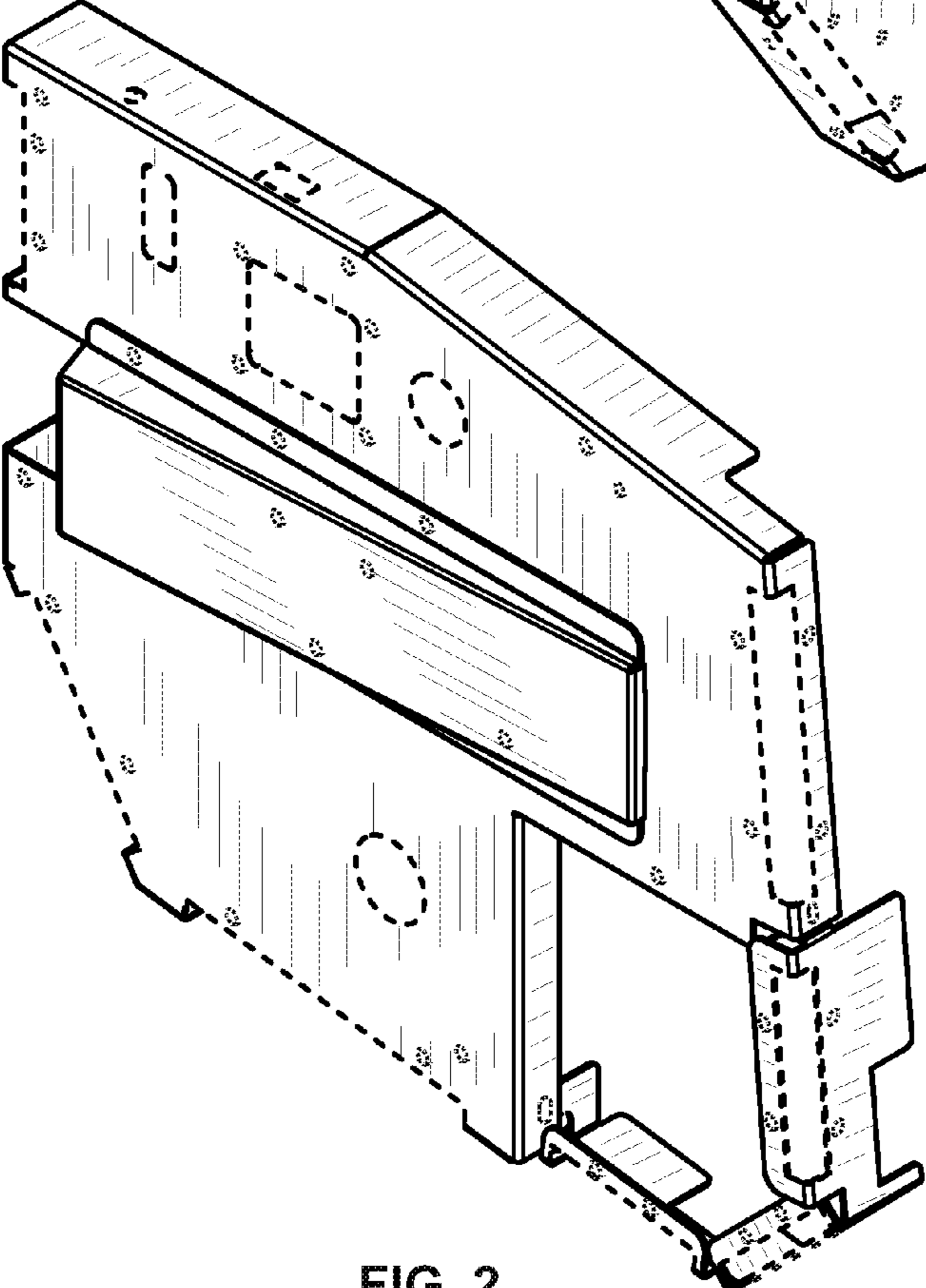


FIG. 2

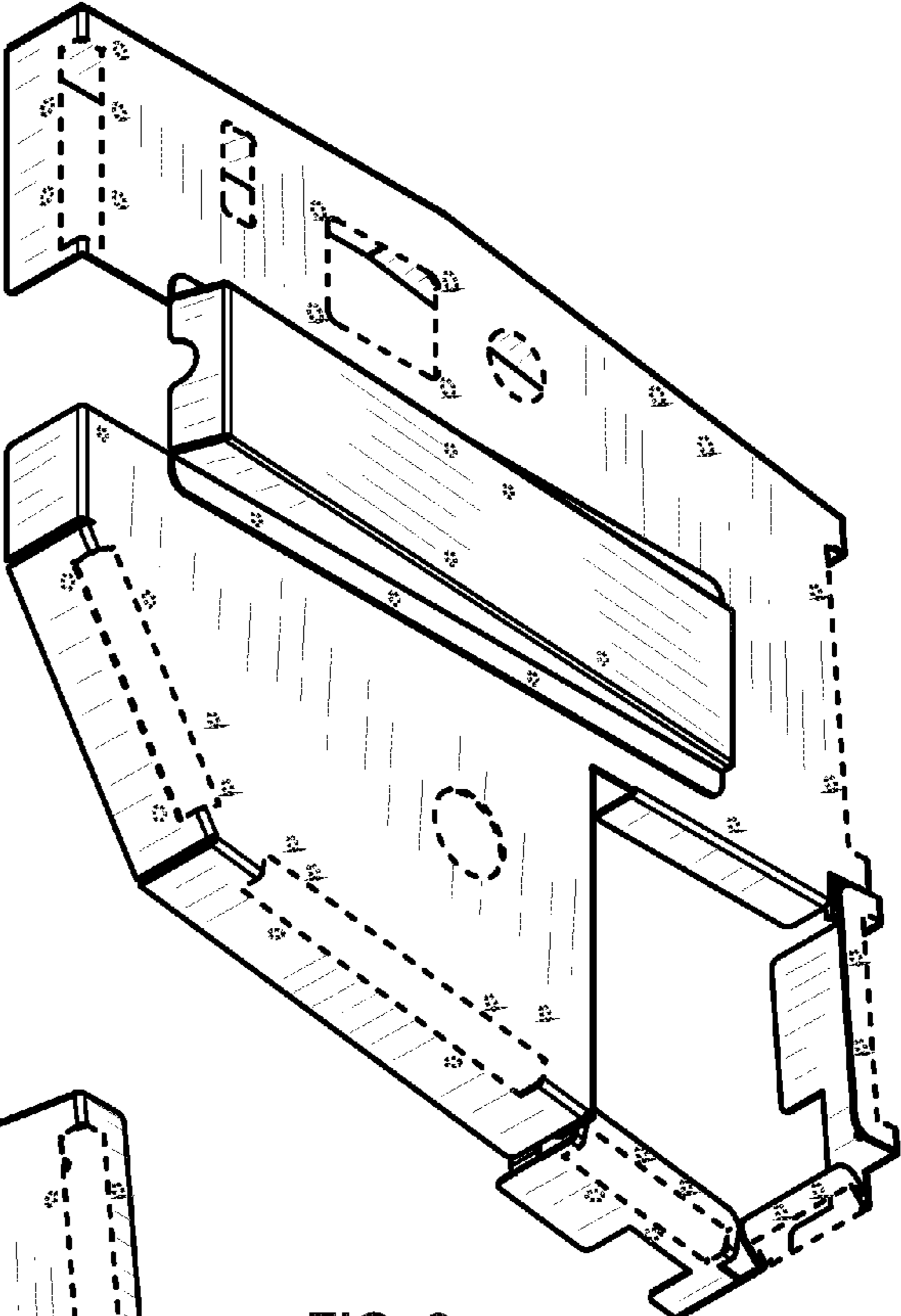


FIG. 3

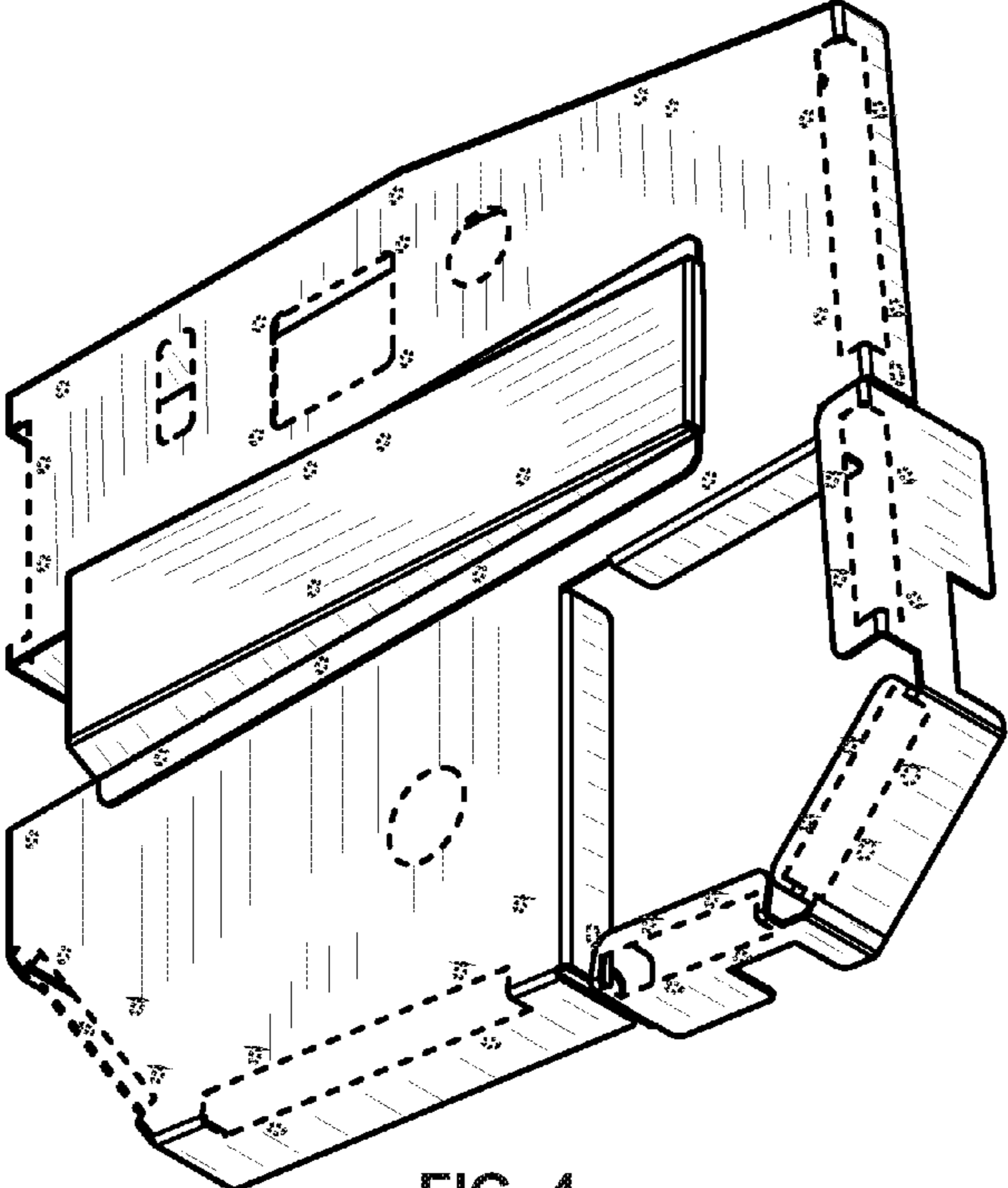


FIG. 4

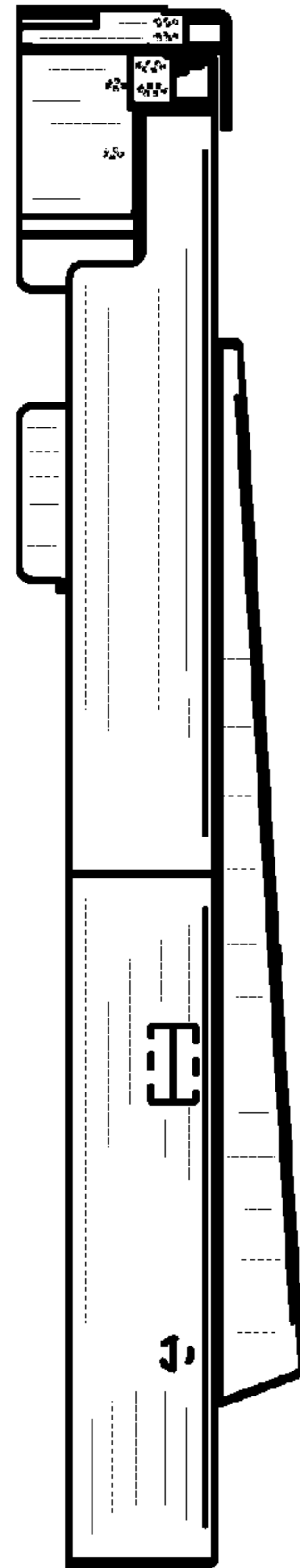


FIG. 5

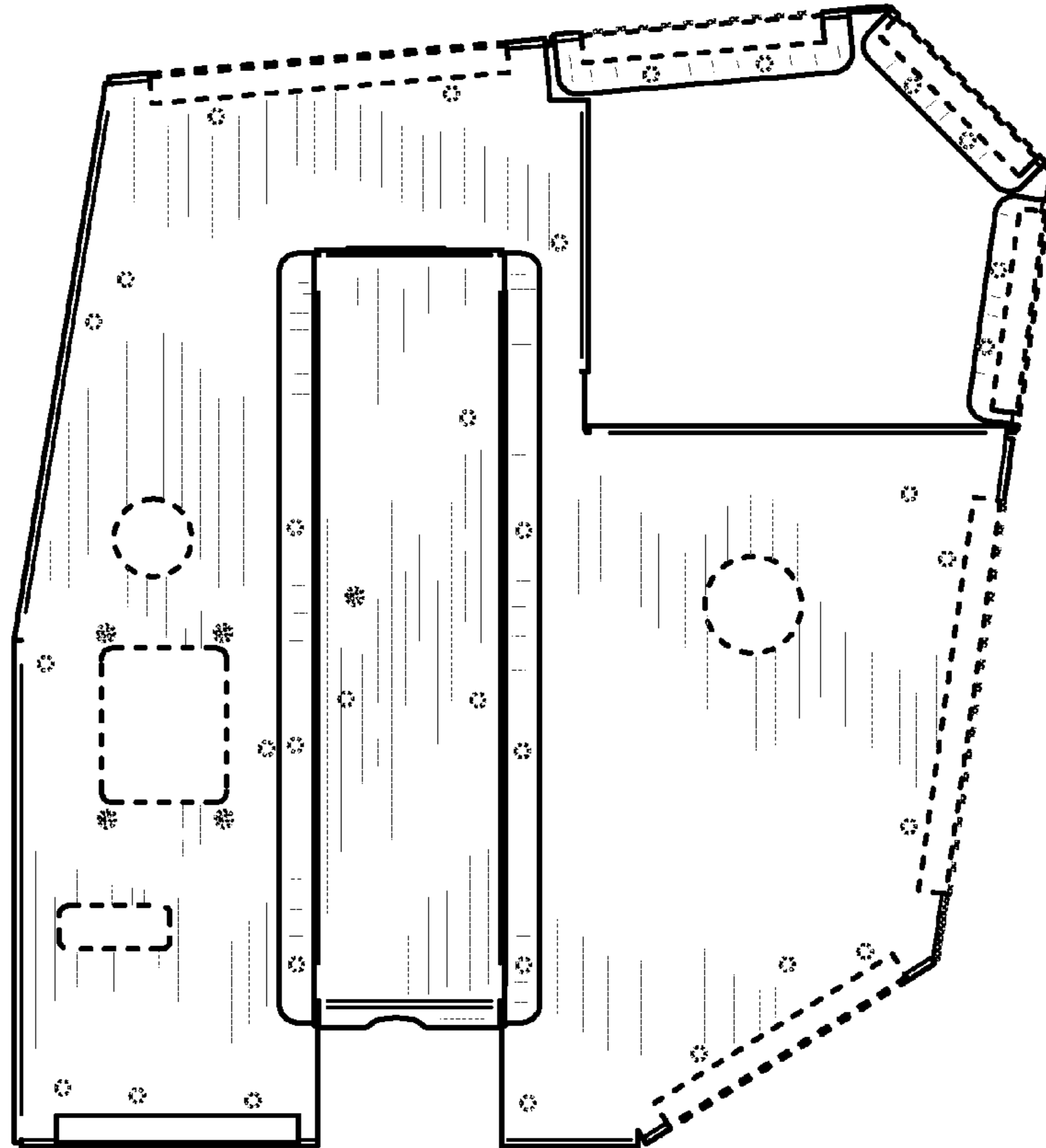


FIG. 6

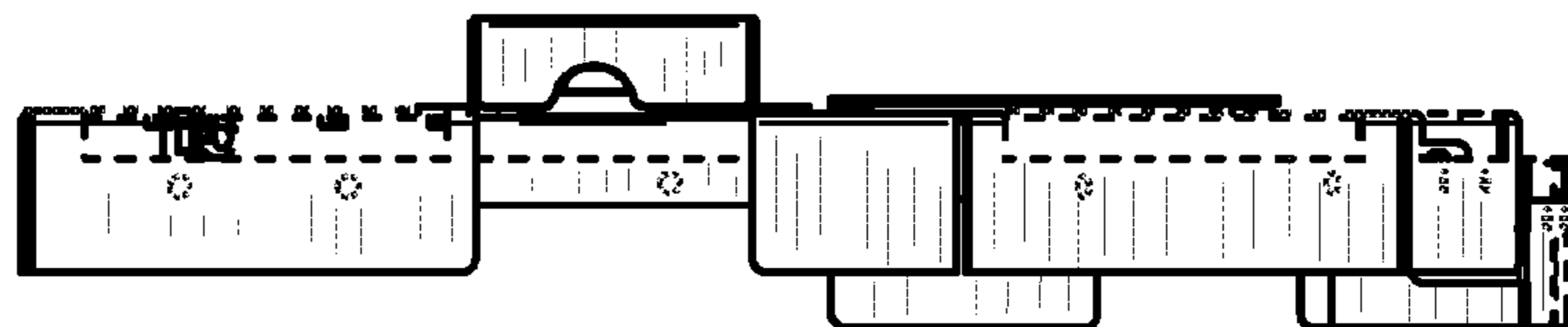


FIG. 7

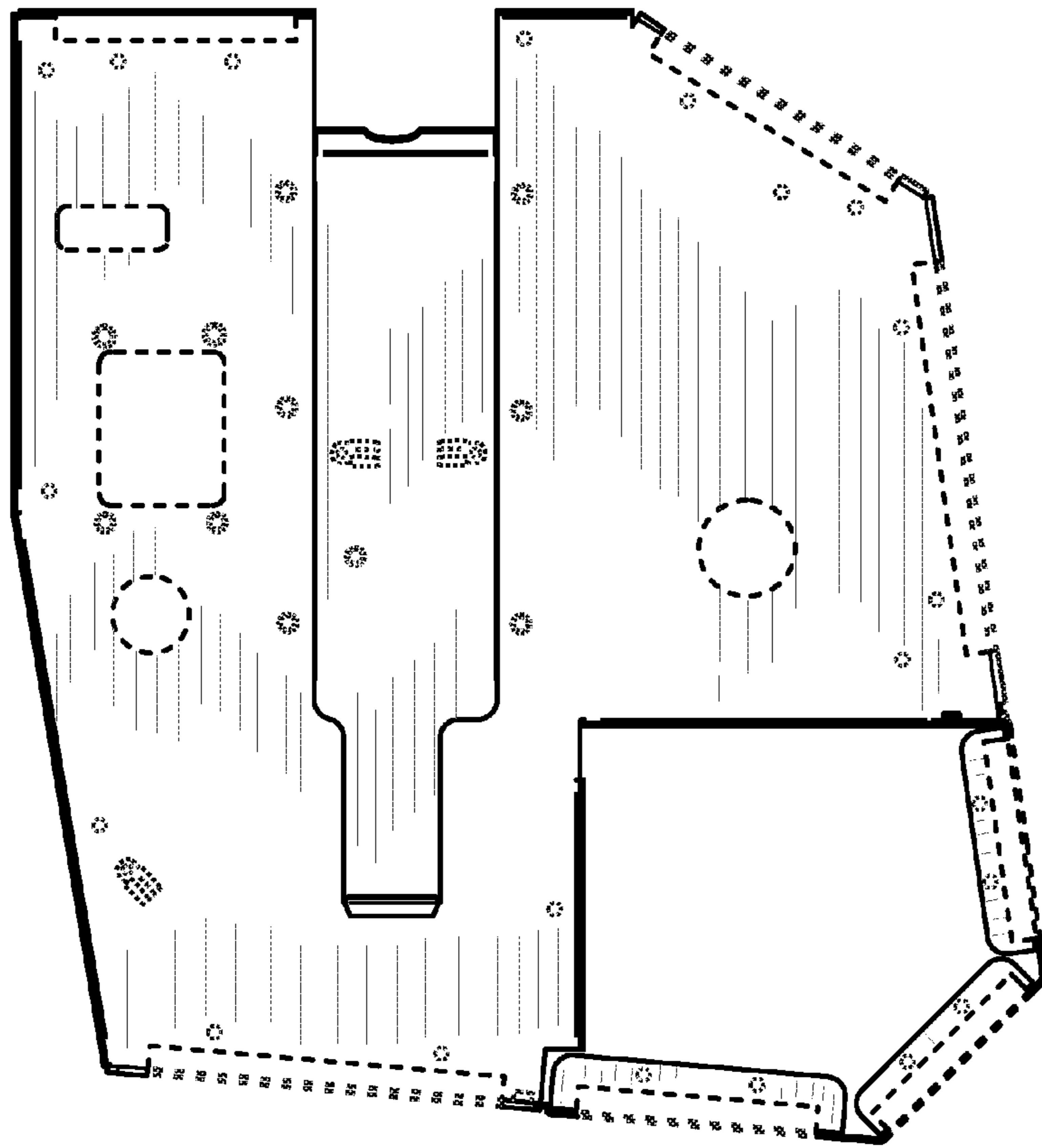


FIG. 8

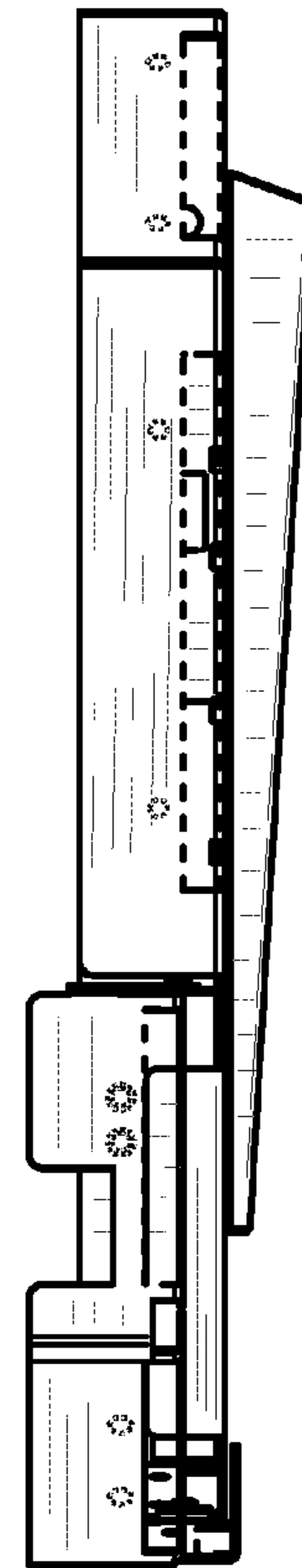


FIG. 9

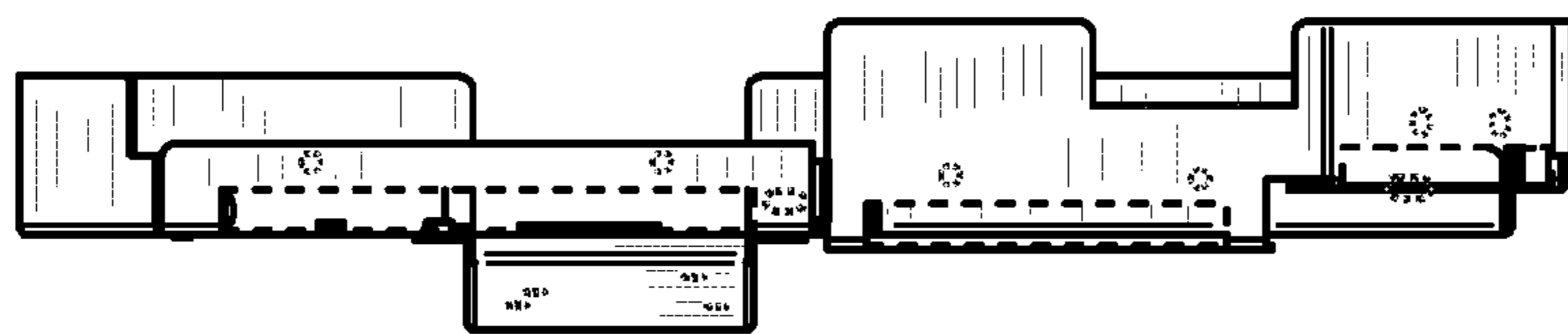


FIG. 10