



US00D615008S

(12) **United States Design Patent**
Lamm et al.

(10) **Patent No.:** **US D615,008 S**

(45) **Date of Patent:** **** May 4, 2010**

(54) **VEHICLE LOWER GRILLE**

(75) Inventors: **Stefan Lamm**, Köln (DE); **Murat Gueler**, Köln (DE)

(73) Assignee: **Ford Motor Company**, Dearborn, MI (US)

(**) Term: **14 Years**

(21) Appl. No.: **29/344,493**

(22) Filed: **Sep. 30, 2009**

(51) **LOC (9) Cl.** **12-16**

(52) **U.S. Cl.** **D12/163**

(58) **Field of Classification Search** D12/163,
D12/196, 90-92, 86, 171, 169, 216; 180/68.1,
180/68.6; 296/193.11

See application file for complete search history.

(56) **References Cited**

U.S. PATENT DOCUMENTS

| | | | | |
|--------------|---------|---------------|-------|---------|
| D575,687 S * | 8/2008 | Hatake | | D12/163 |
| D584,197 S * | 1/2009 | Song et al. | | D12/163 |
| D598,334 S * | 8/2009 | Giachin | | D12/163 |
| D598,336 S * | 8/2009 | George et al. | | D12/163 |
| D602,409 S * | 10/2009 | Lamm et al. | | D12/163 |
| D603,304 S * | 11/2009 | Lamm | | D12/163 |

OTHER PUBLICATIONS

Ford Focus 2.5 ST, Geneva Autoshow, Mar. 5, 2009, <http://www.facts.ford.com>.

Car Spy Photos, Mar. 26, 2009, <http://carsspyphotos.com/2011-ford-focus-3/>.

Spy Shots: Ford Verve mule spotted banging around in Australia, Jul. 4, 2009, <http://spbcar.ru/news/en/article/22761/>.

Next Generation 2011 Ford Focus Mule First Spy Photos, Aug. 28, 2009, <http://www.worldcarfans.com/109082821357/next-generation-2011-ford-focus-mule-first-spy-photos>.

* cited by examiner

Primary Examiner—Melody N Brown

(74) *Attorney, Agent, or Firm*—Damian Porcari

(57) **CLAIM**

An ornamental design for a vehicle lower grille, as shown and described.

DESCRIPTION

FIG. 1 is a top plan view of a vehicle lower grille;

FIG. 2 is a bottom plan view of the vehicle lower grille;

FIG. 3 is a front elevational view of the vehicle lower grille;

FIG. 4 is a left side elevational view of the vehicle lower grille;

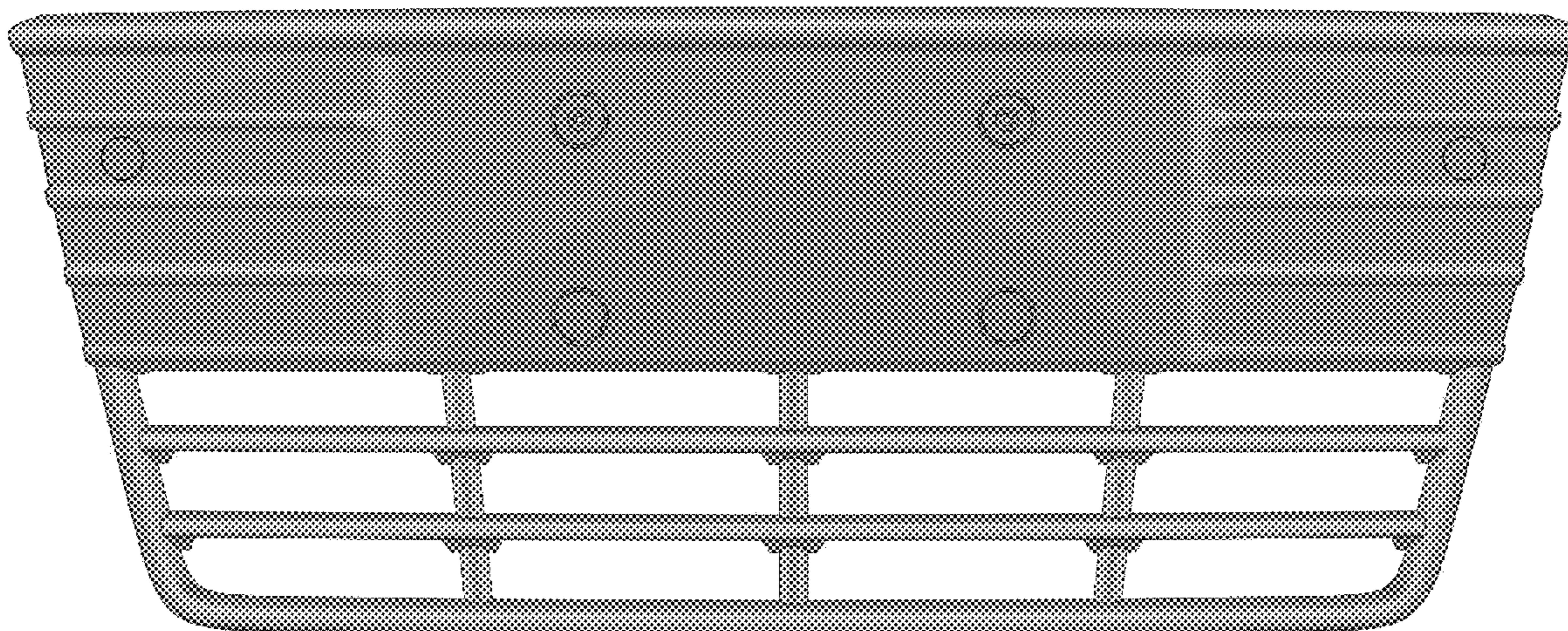
FIG. 5 is a right side elevational view of the vehicle lower grille;

FIG. 6 is a perspective view of the vehicle lower grille; and,

FIG. 7 is another perspective view of the vehicle lower grille.

The broken lines and surface members enclosed in the broken lines shown in the faded lighter tones are for illustrative purpose only and form no part of the claimed design.

1 Claim, 7 Drawing Sheets



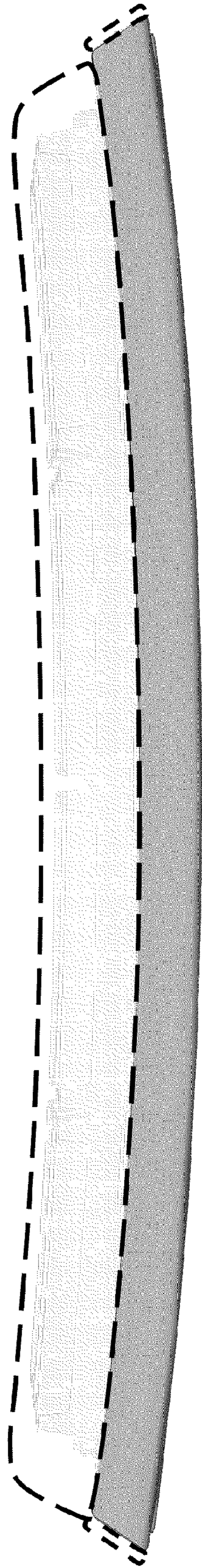


Figure 1

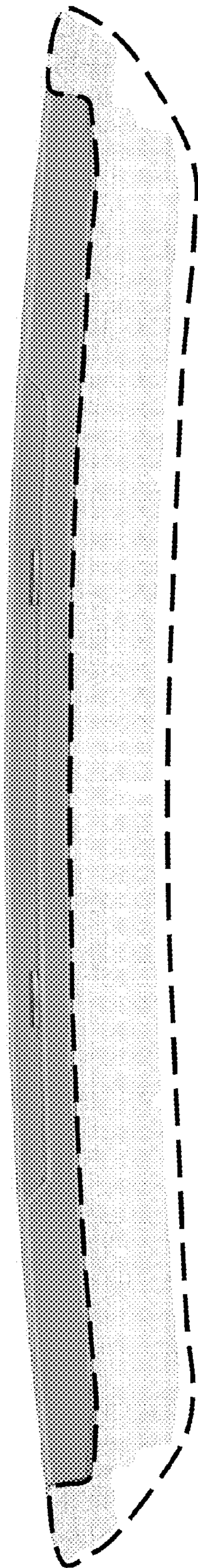


Figure 2

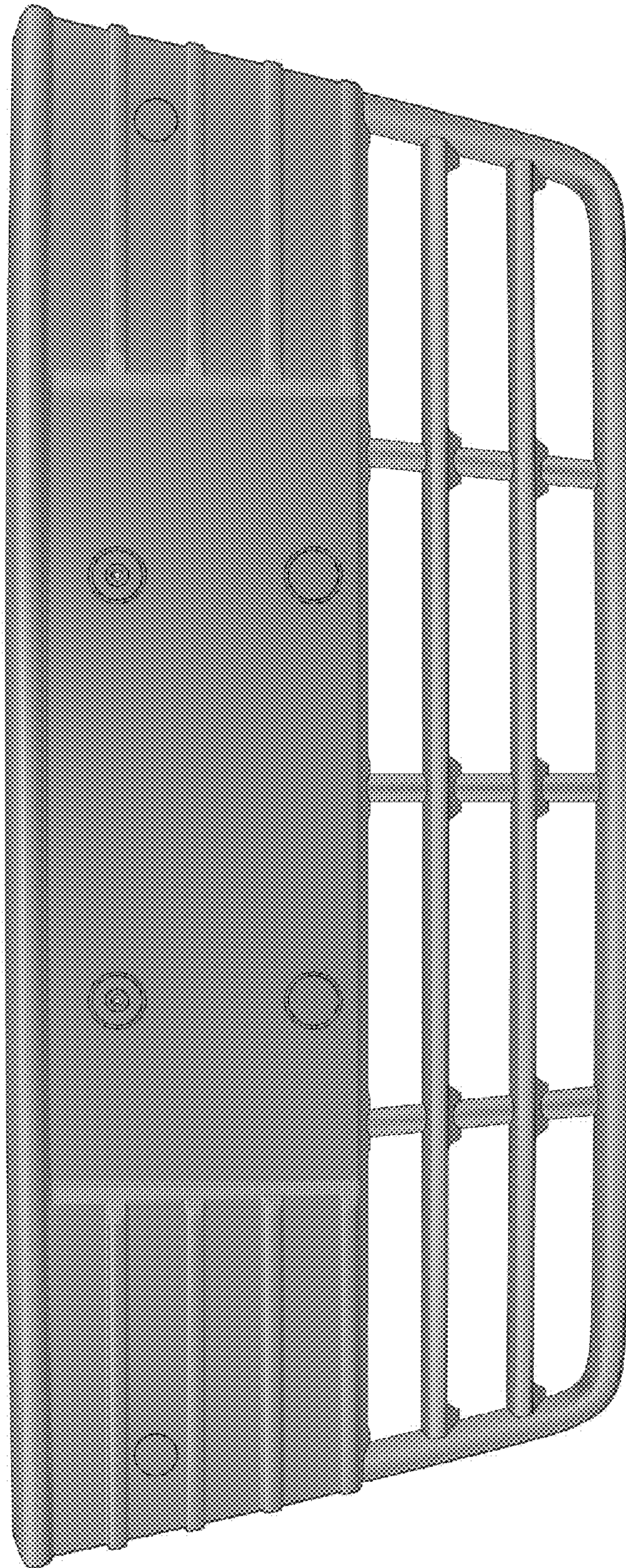


Figure 3

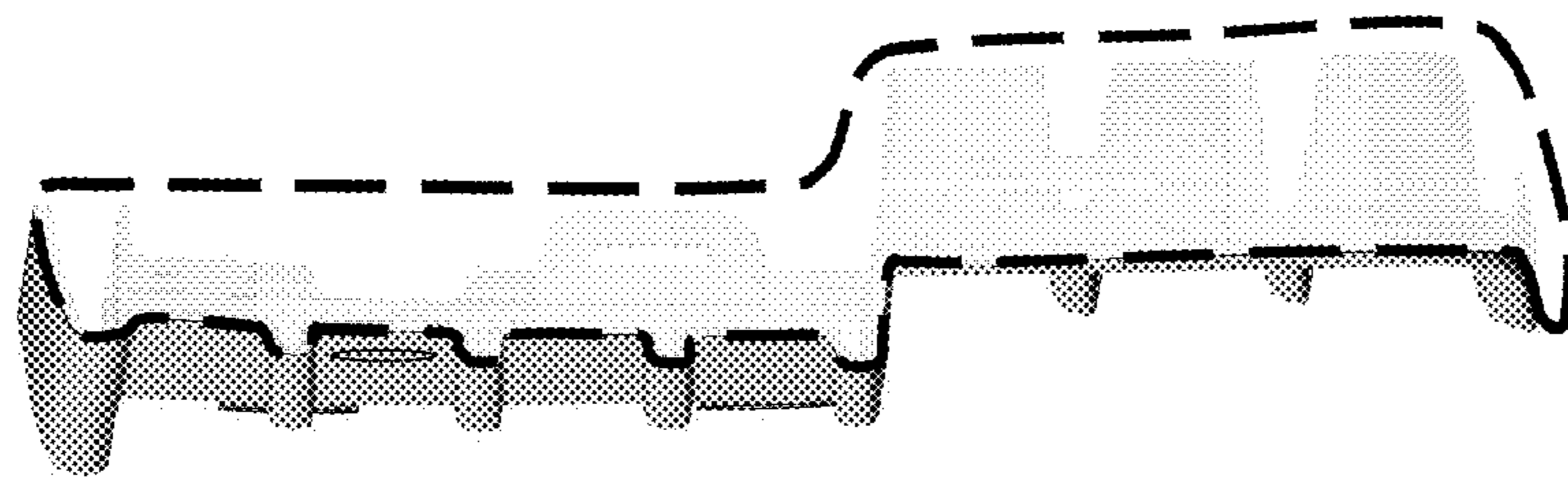


Figure 4

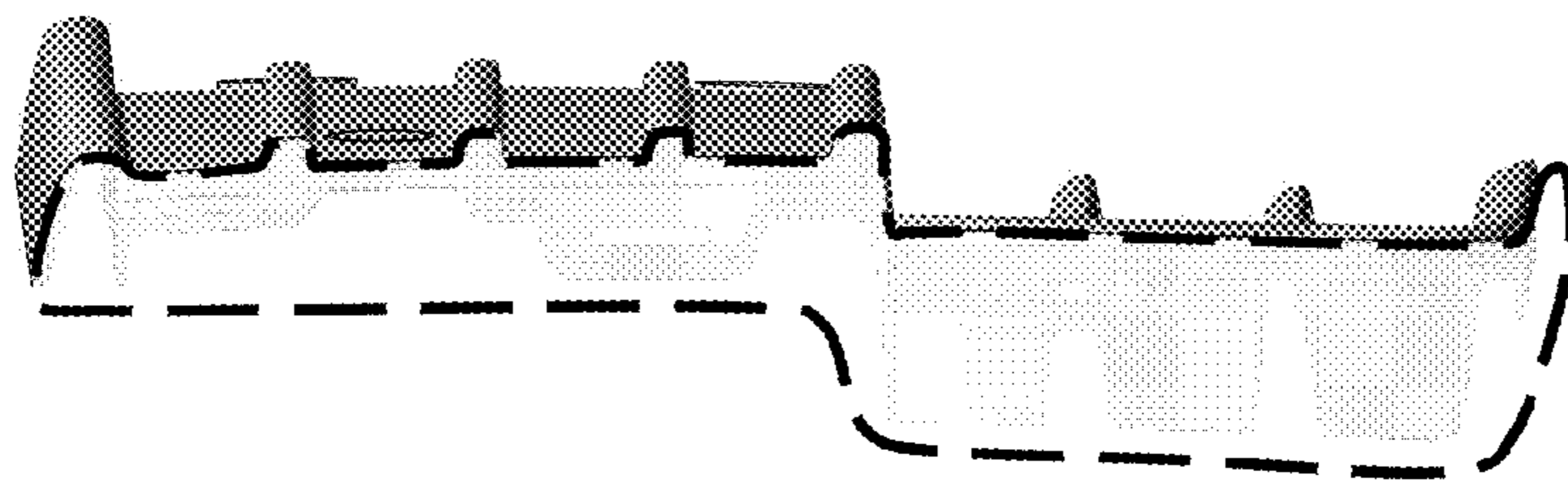


Figure 5

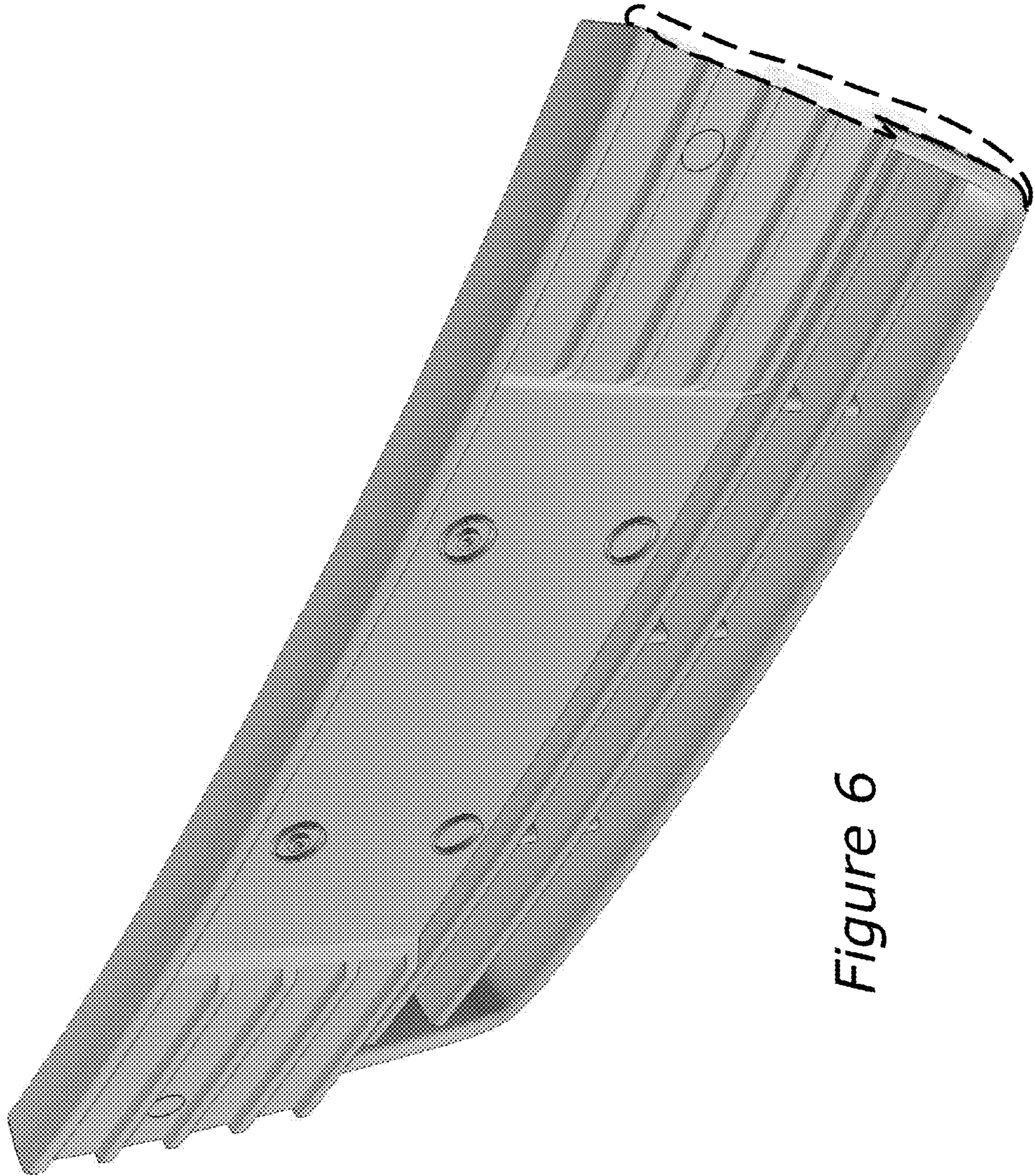


Figure 6

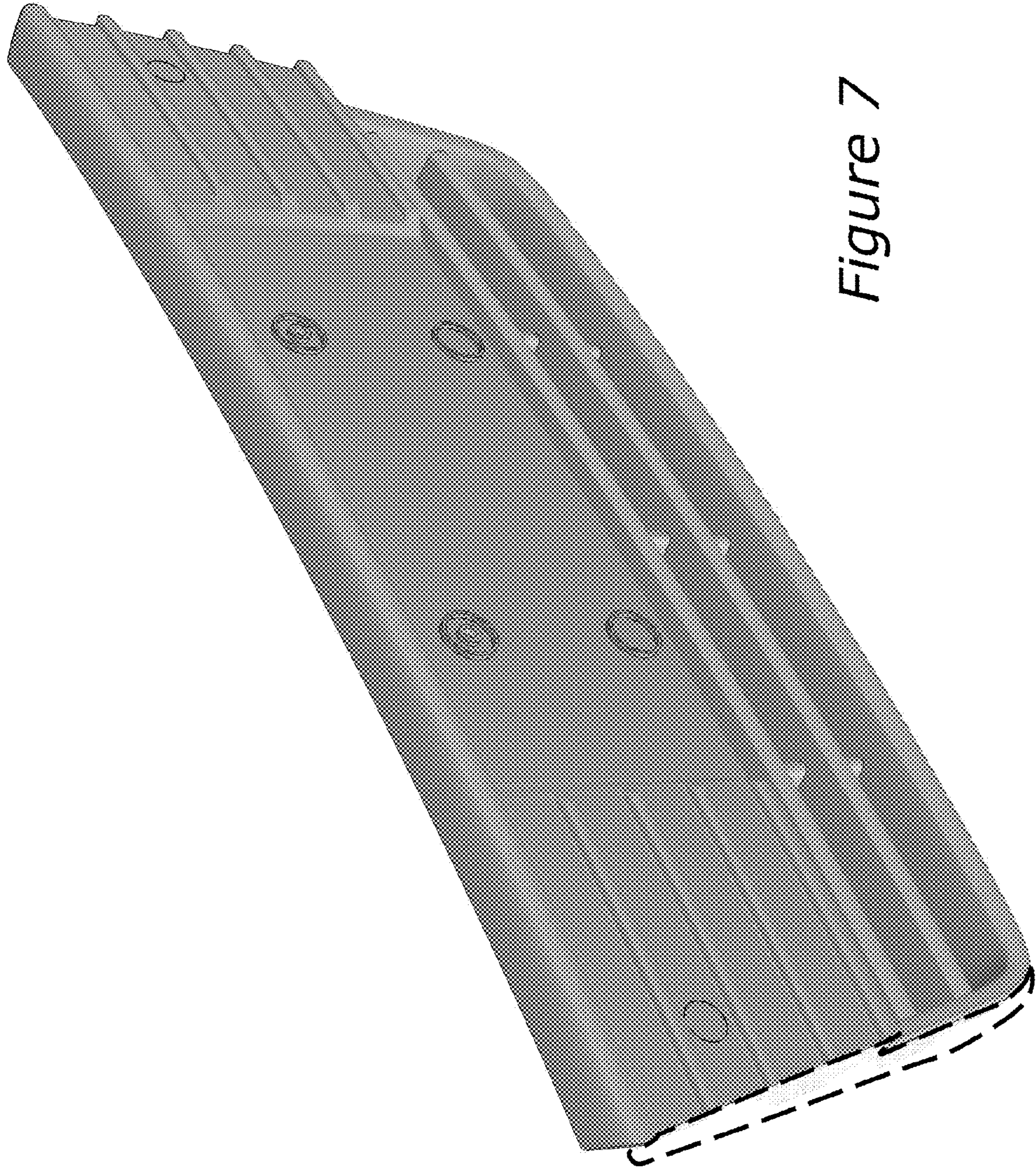


Figure 7