



US00D615006S

(12) **United States Design Patent**  
**Goodman et al.**

(10) **Patent No.:** **US D615,006 S**  
(45) **Date of Patent:** **\*\* May 4, 2010**

(54) **DOUBLE CLEVIS CONNECTOR FOR TOW BAR**

7,204,505 B2 \* 4/2007 Moss ..... 280/491.1

(75) Inventors: **Steven Goodman**, Pender, NE (US);  
**David Merchant**, Lincoln, NE (US);  
**James Huston**, Yankton, SD (US); **Les Roeber**, Emerson, NE (US)

\* cited by examiner

*Primary Examiner*—T. Chase Nelson  
*Assistant Examiner*—Kathleen M Sims  
(74) *Attorney, Agent, or Firm*—Donald R. Schoonover

(73) Assignee: **Automatic Equipment Manufacturing Company**, Pender, NE (US)

(57) **CLAIM**

We claim the ornamental design for a double clevis connector for tow bar, as shown and described.

(\*\*) Term: **14 Years**

(21) Appl. No.: **29/314,631**

**DESCRIPTION**

(22) Filed: **Apr. 15, 2009**

(51) **LOC (9) Cl.** ..... **12-16**

FIG. 1 is a perspective top and side view of a double clevis connector for tow bar showing our new design;

(52) **U.S. Cl.** ..... **D12/162**

FIG. 2 is a side elevational view thereof;

(58) **Field of Classification Search** ..... D12/106,

FIG. 3 is an elevational view showing the opposing side thereof;

D12/114, 161–162, 199, 223, 400; 280/186,  
280/402–405.2, 407–407.1, 415.1, 416.1–416.3,  
280/479.2, 477, 482–483, 485–486, 490.1,  
280/491.1–491.3, 491.5, 493–495, 498–499,  
280/507, 509, 511–513; 224/500–537

FIG. 4 is a top plan view thereof;

FIG. 5 is a bottom plan view thereof;

FIG. 6 is an end elevational view thereof;

See application file for complete search history.

FIG. 7 is an elevational view showing the opposing end thereof; and,

FIG. 8 is a reduced side elevational view showing the double clevis connector for tow bar in use.

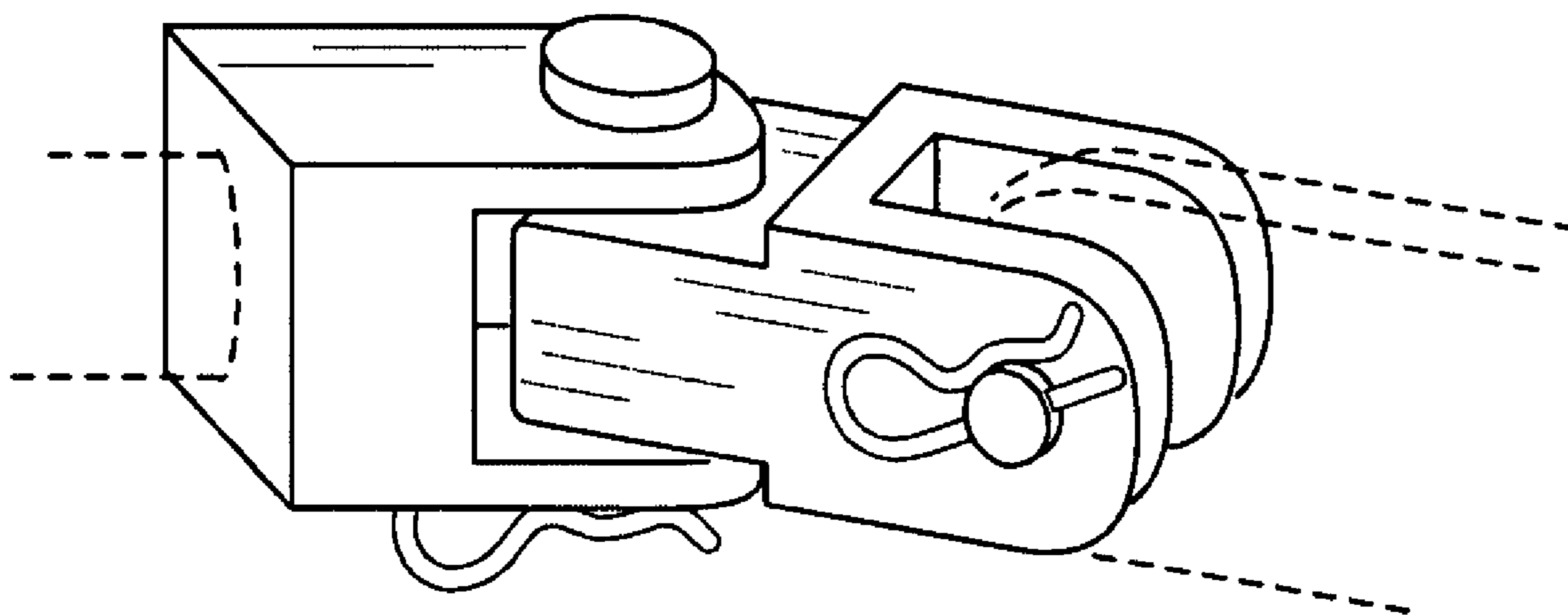
(56) **References Cited**

**U.S. PATENT DOCUMENTS**

D269,175 S \* 5/1983 Perry et al. .... D12/162  
5,941,550 A \* 8/1999 Szczypski ..... 280/479.2  
7,029,022 B2 \* 4/2006 Moss ..... 280/491.3

The broken line showing of details in FIGS. 1–8 is included for the purpose of showing environmental portions of the double-clevis connector for tow bar and forms no part of the claimed design.

**1 Claim, 2 Drawing Sheets**



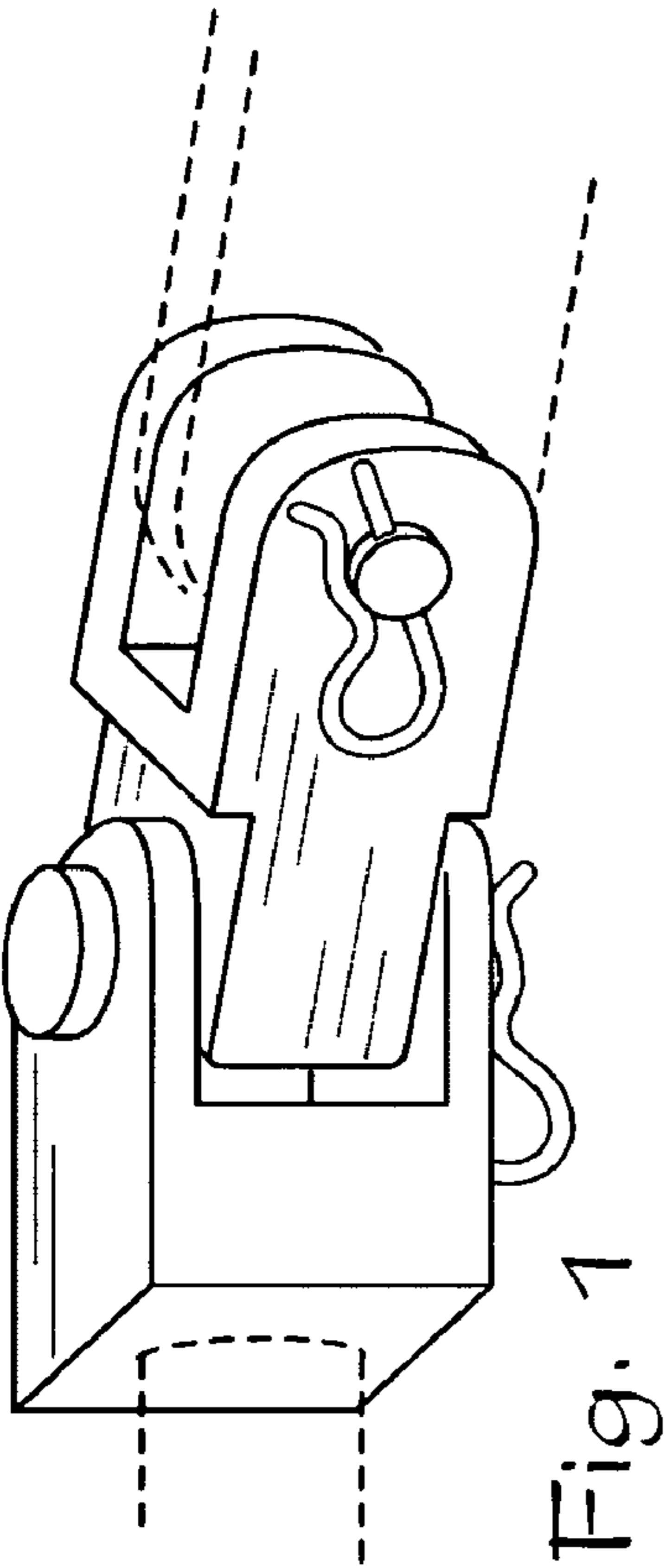


Fig. 1

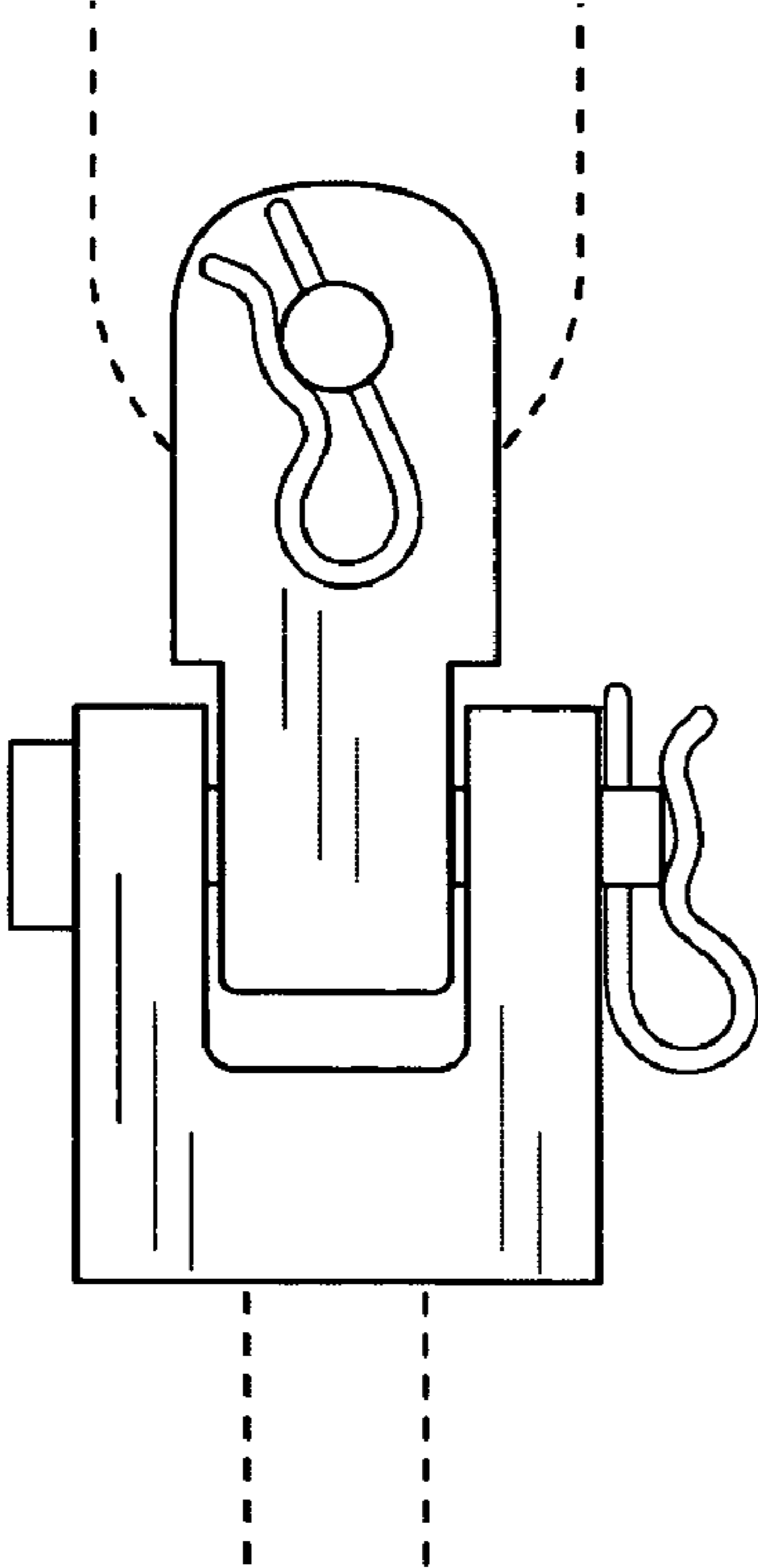


Fig. 2

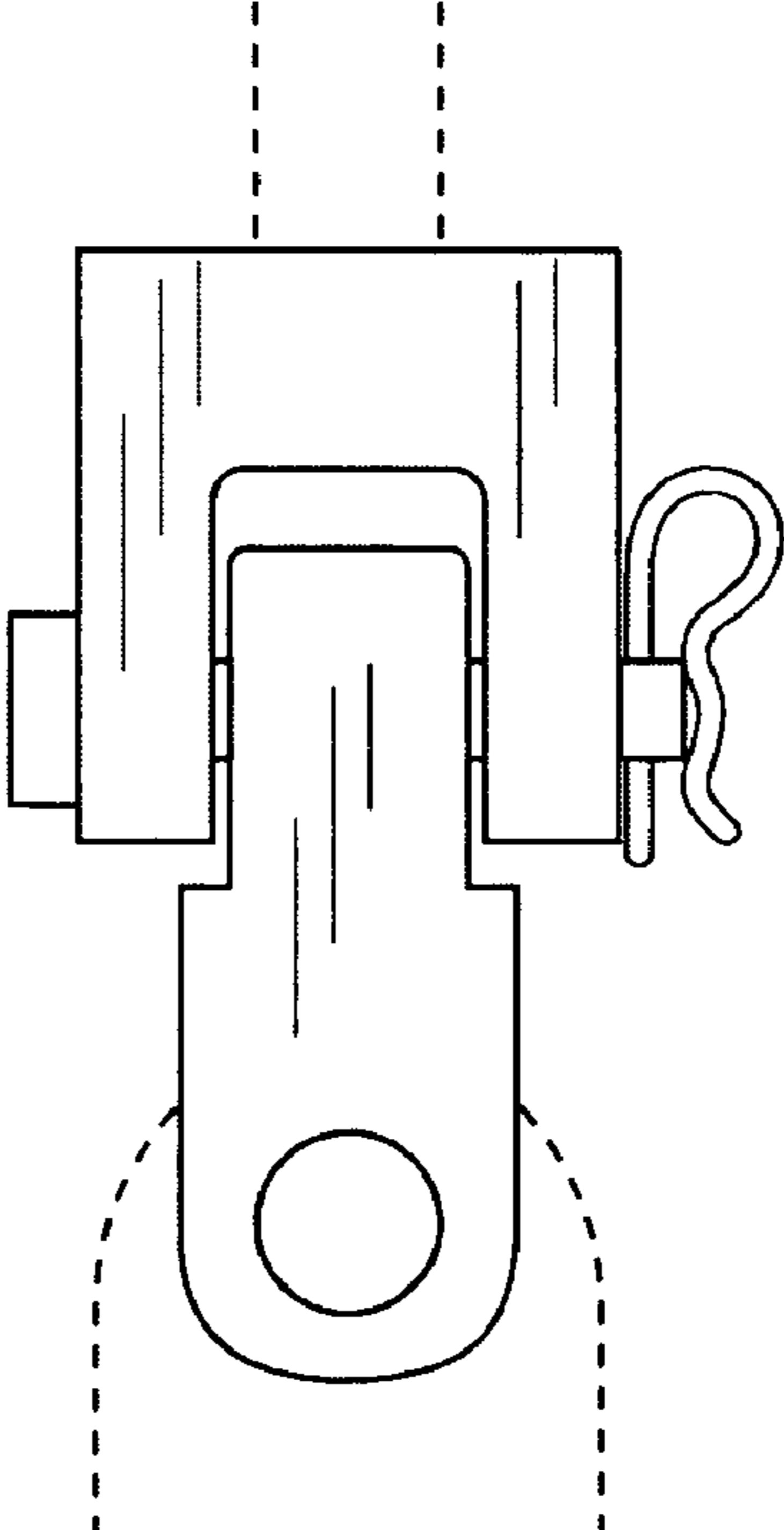


Fig. 3

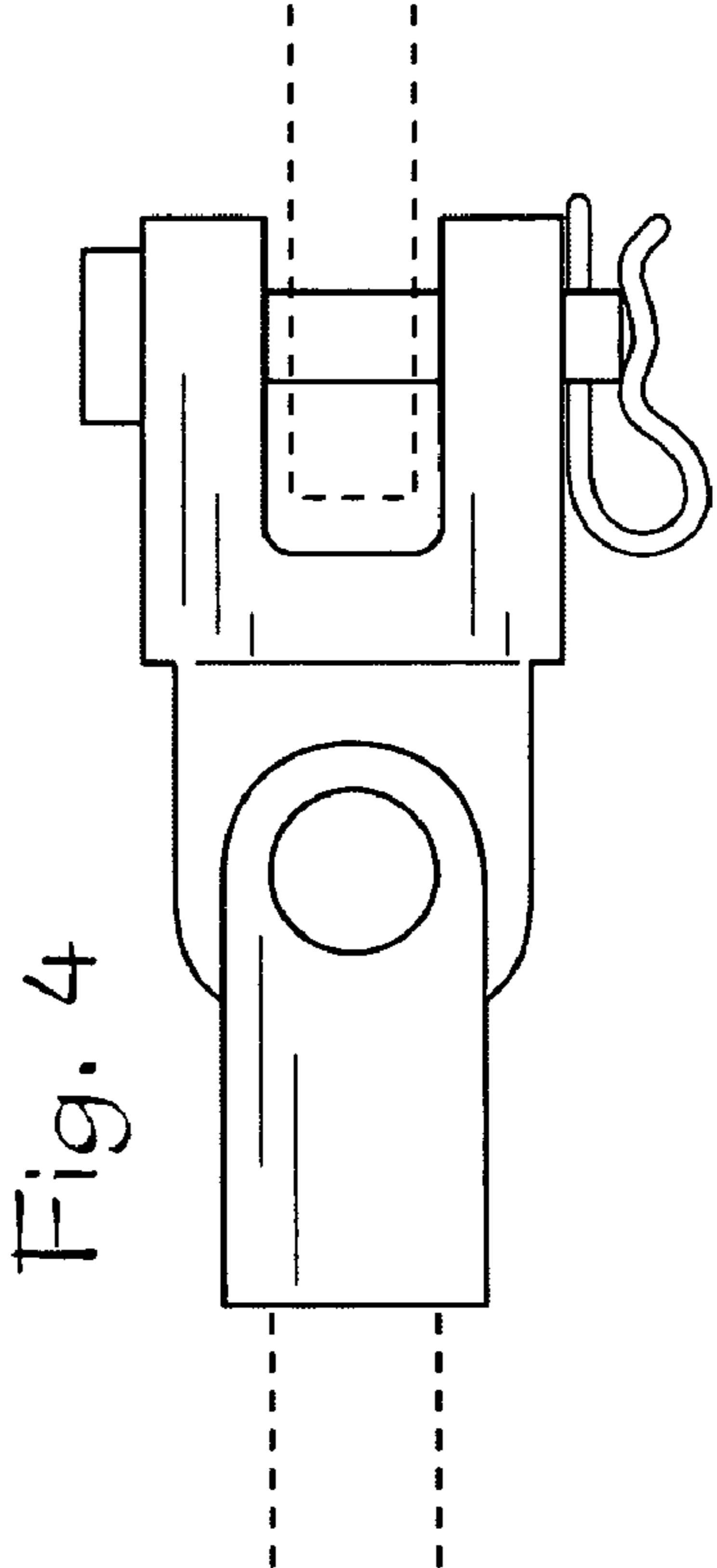


Fig. 4

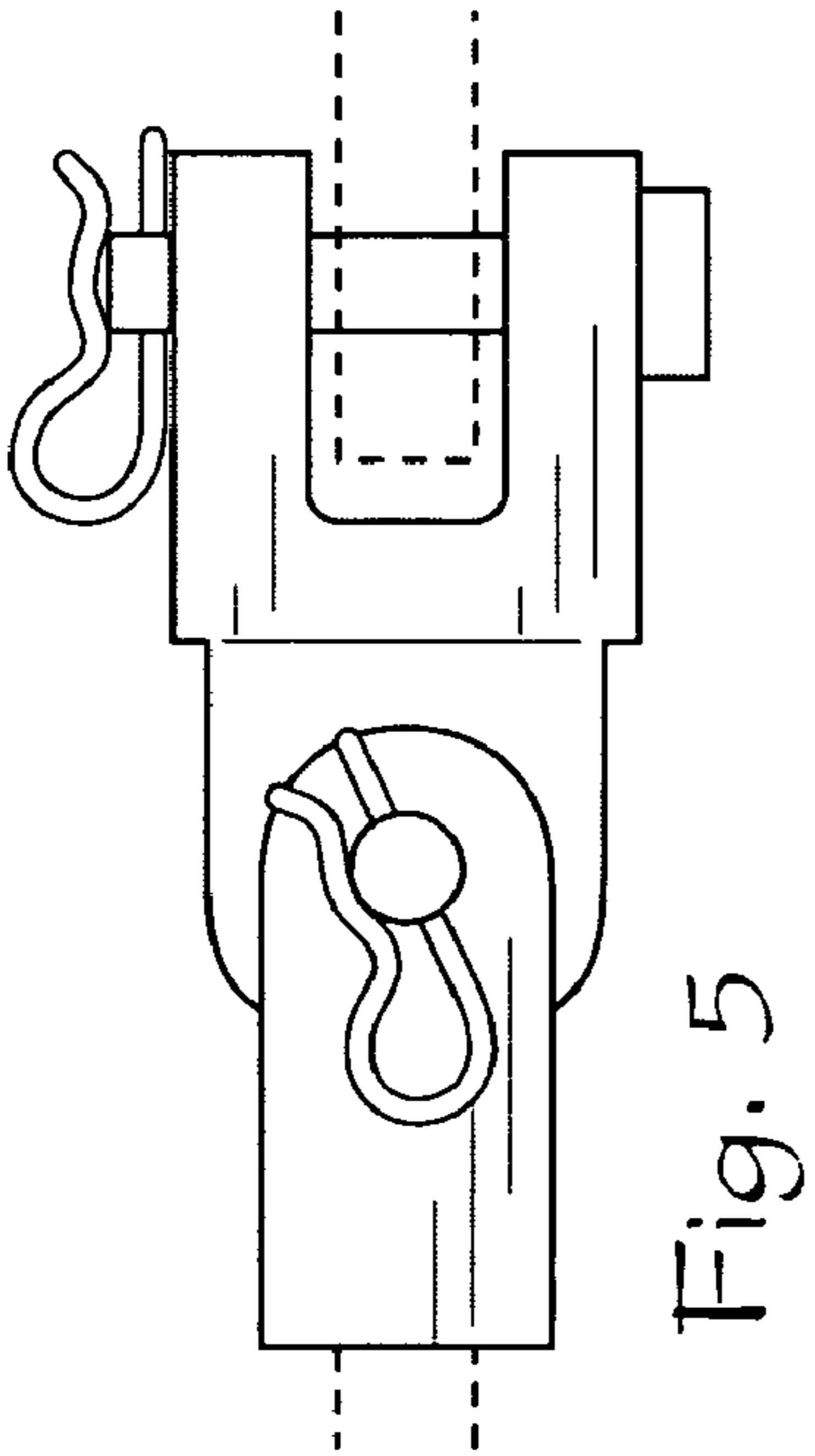


Fig. 5

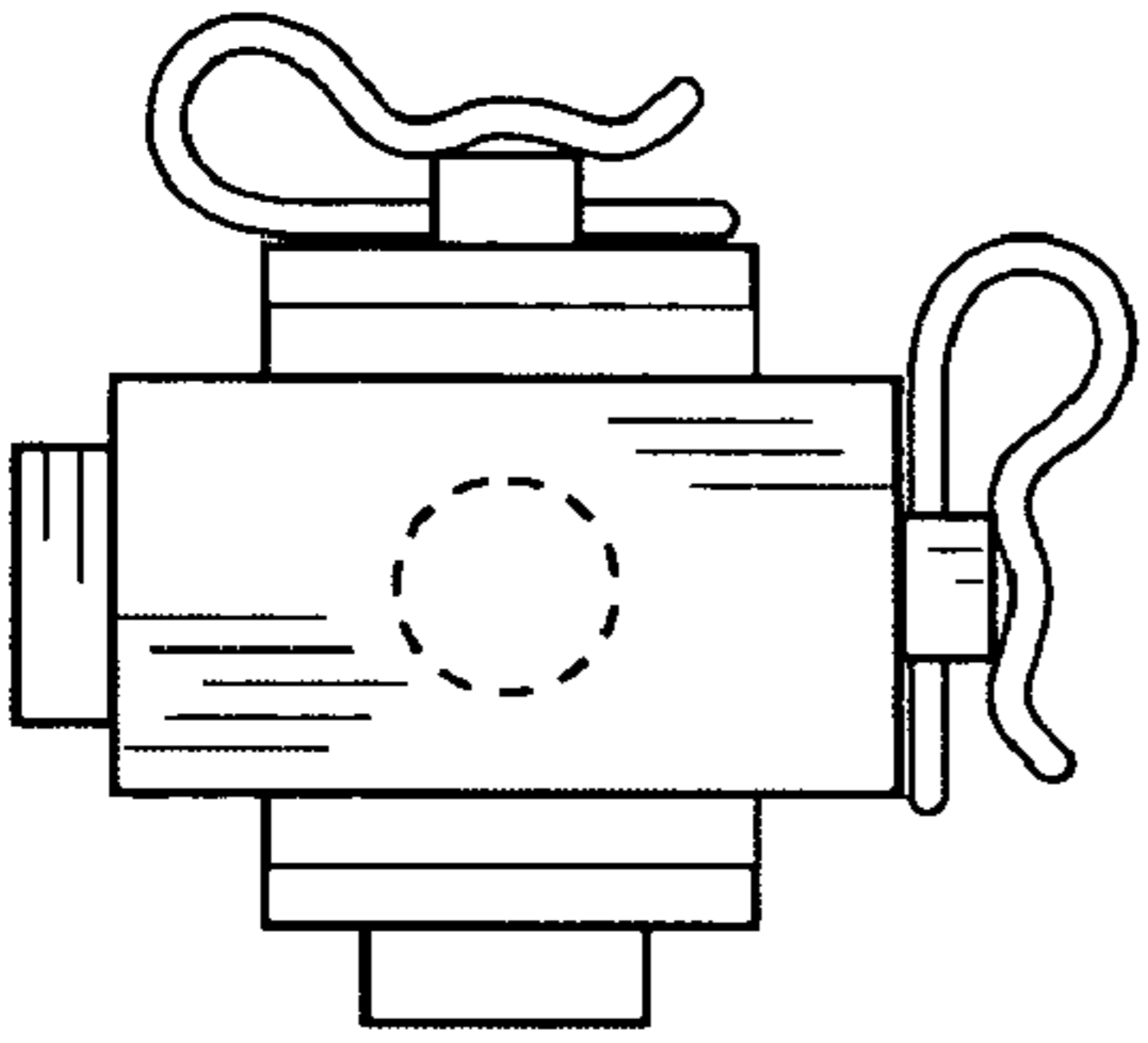


Fig. 6

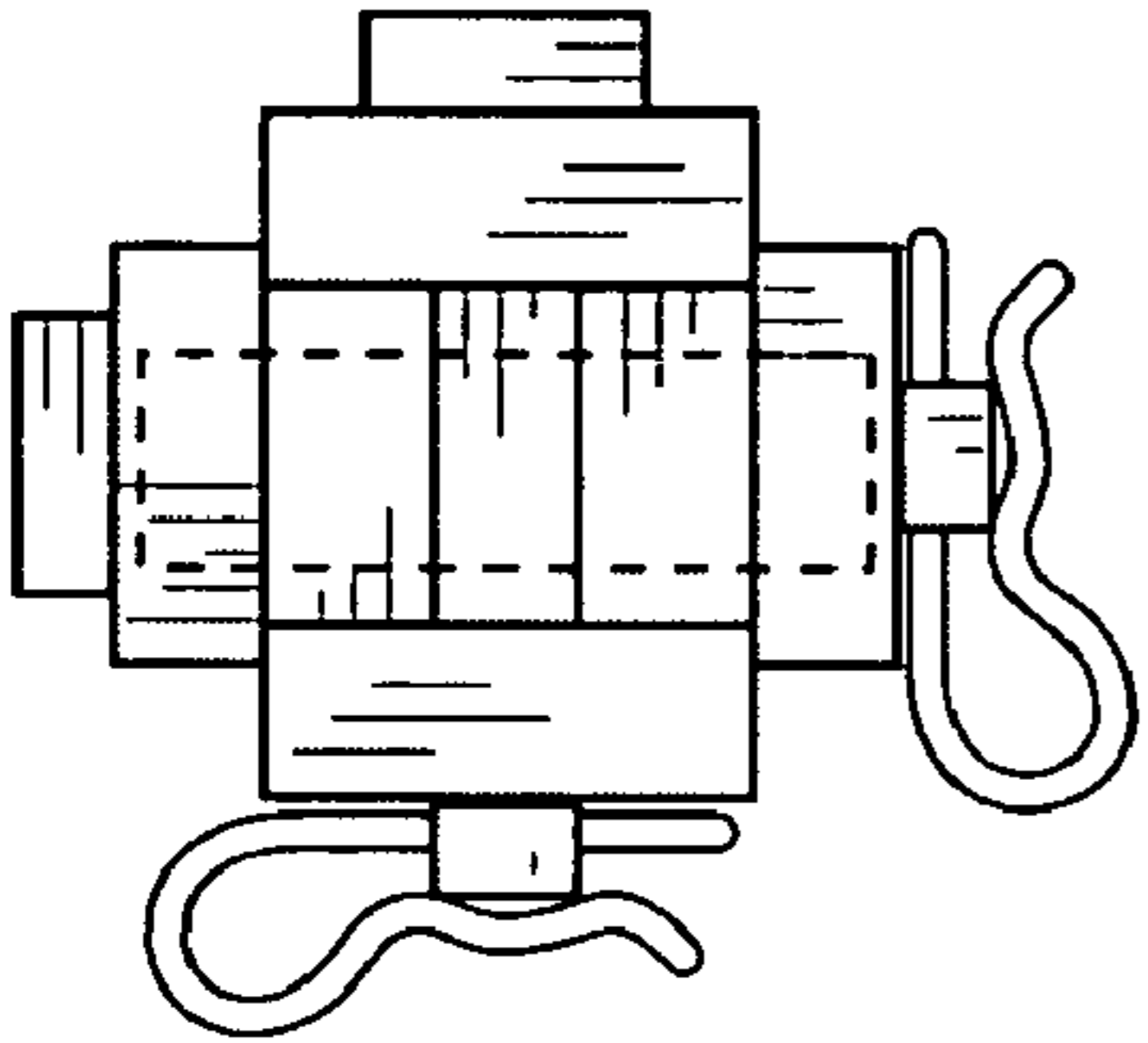


Fig. 7

Fig. 8

