



US00D615003S

(12) **United States Design Patent**  
**Canfield et al.**

(10) **Patent No.:** **US D615,003 S**

(45) **Date of Patent:** **\*\* May 4, 2010**

(54) **BICYCLE PEDAL**

(76) Inventors: **Christopher Canfield**, 2313 N. 500 West, Layton, UT (US) 84041; **Lance Canfield**, 2313 N. 500 West, Layton, UT (US) 84041

(\*\*) Term: **14 Years**

(21) Appl. No.: **29/337,004**

(22) Filed: **May 13, 2009**

(51) **LOC (9) Cl.** ..... **12-11**

(52) **U.S. Cl.** ..... **D12/125**

(58) **Field of Classification Search** ..... D12/125,  
D12/111; 296/75; 280/291; 74/594.1-594.7,  
74/560

See application file for complete search history.

(56) **References Cited**

**U.S. PATENT DOCUMENTS**

3,657,945	A *	4/1972	Golden et al.	.....	74/594.4
D236,708	S *	9/1975	Konzorr	.....	D12/125
D284,459	S *	7/1986	Shimizu	.....	D12/125
D286,996	S *	12/1986	Hartmann et al.	.....	D12/125
D320,369	S *	10/1991	Feamster et al.	.....	D12/125
D341,108	S *	11/1993	Chen	.....	D12/125
5,662,405	A *	9/1997	Kuo	.....	362/473
6,647,826	B2 *	11/2003	Okajima et al.	.....	74/594.4

D524,195 S \* 7/2006 Neal ..... D12/125

\* cited by examiner

*Primary Examiner*—Adir Aronovich

*Assistant Examiner*—Linda G. Brooks

(74) *Attorney, Agent, or Firm*—Kunzler Needham Massey & Thorpe

(57) **CLAIM**

The ornamental design for a bicycle pedal, as shown and described.

**DESCRIPTION**

FIG. 1 is a perspective view of the bicycle pedal;

FIG. 2 is a front view of the bicycle pedal;

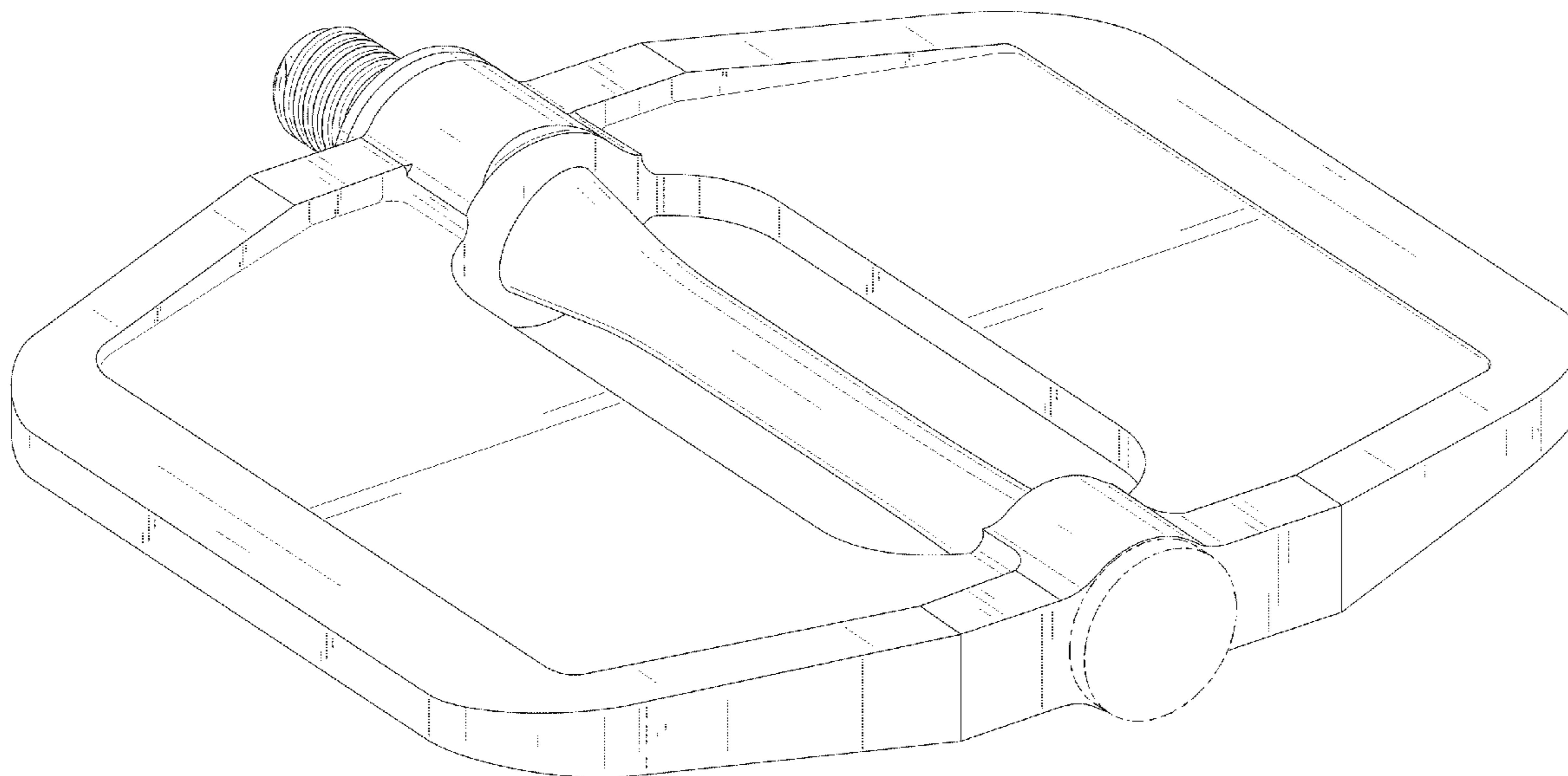
FIG. 3 is a rear view of the bicycle pedal;

FIG. 4 is a right side view of the bicycle pedal, the undisclosed left side being a mirror image thereof but for the external threads, which have a shape and appearance that is evident from the external threads shown in the right side view; and,

FIG. 5 is a top view of the bicycle pedal, the undisclosed bottom view being a mirror image thereof but for the external threads, which have a shape and appearance that is evident from the external threads shown in the top view.

The broken lines are directed to environment and are for illustrative purposes only, the broken lines form no part of the claimed design.

**1 Claim, 5 Drawing Sheets**



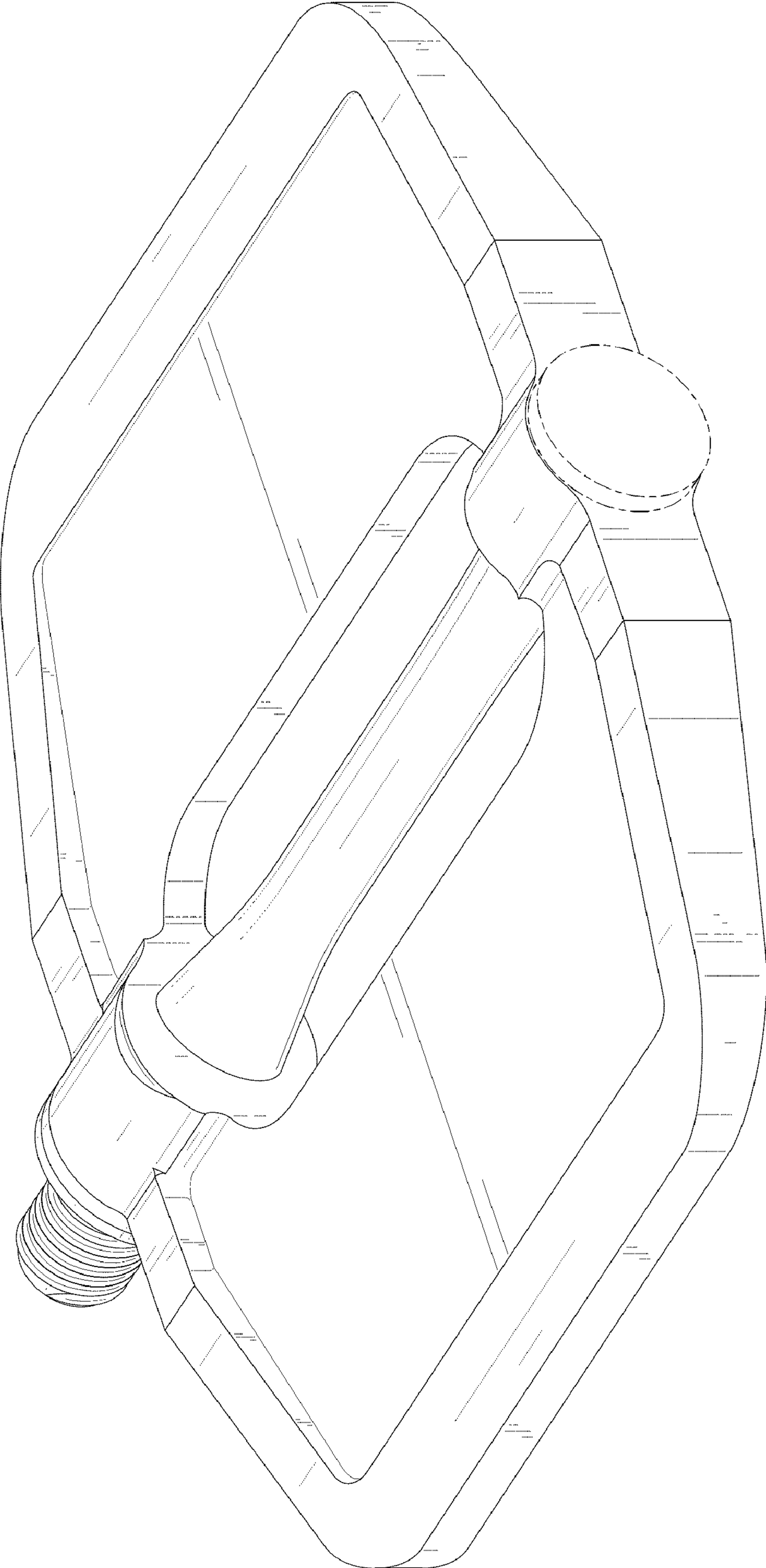


FIG. 1

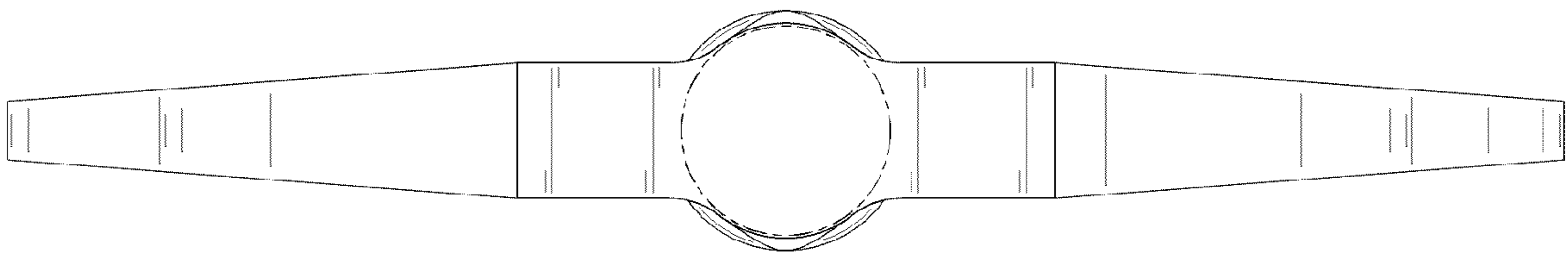


FIG. 2

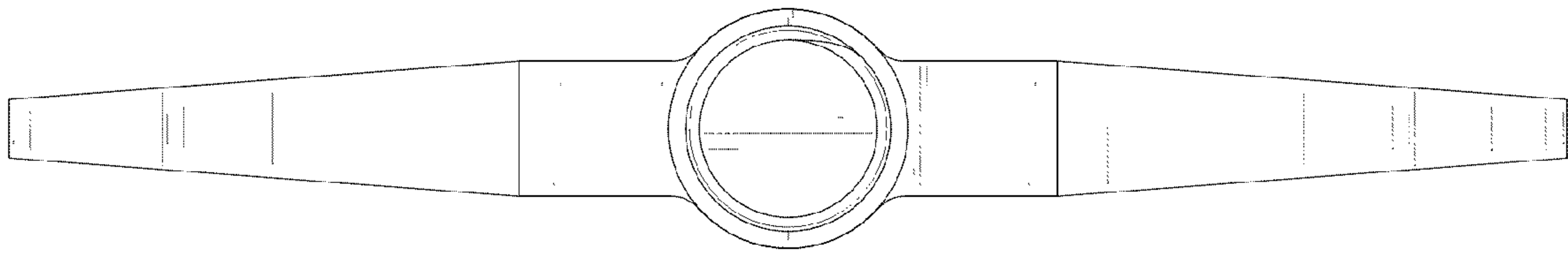


FIG. 3

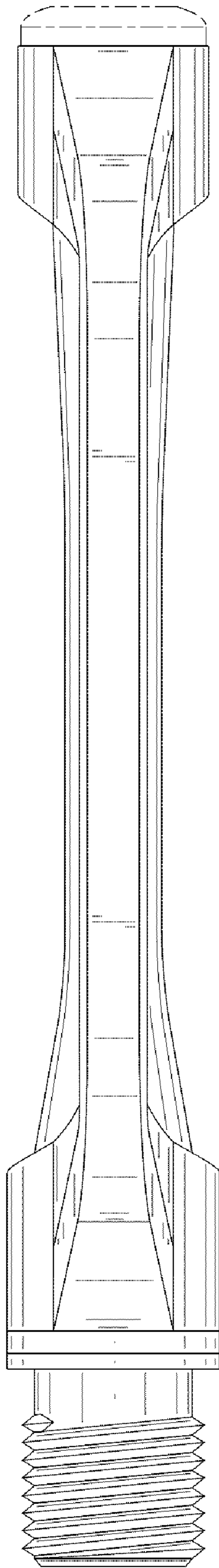


FIG. 4

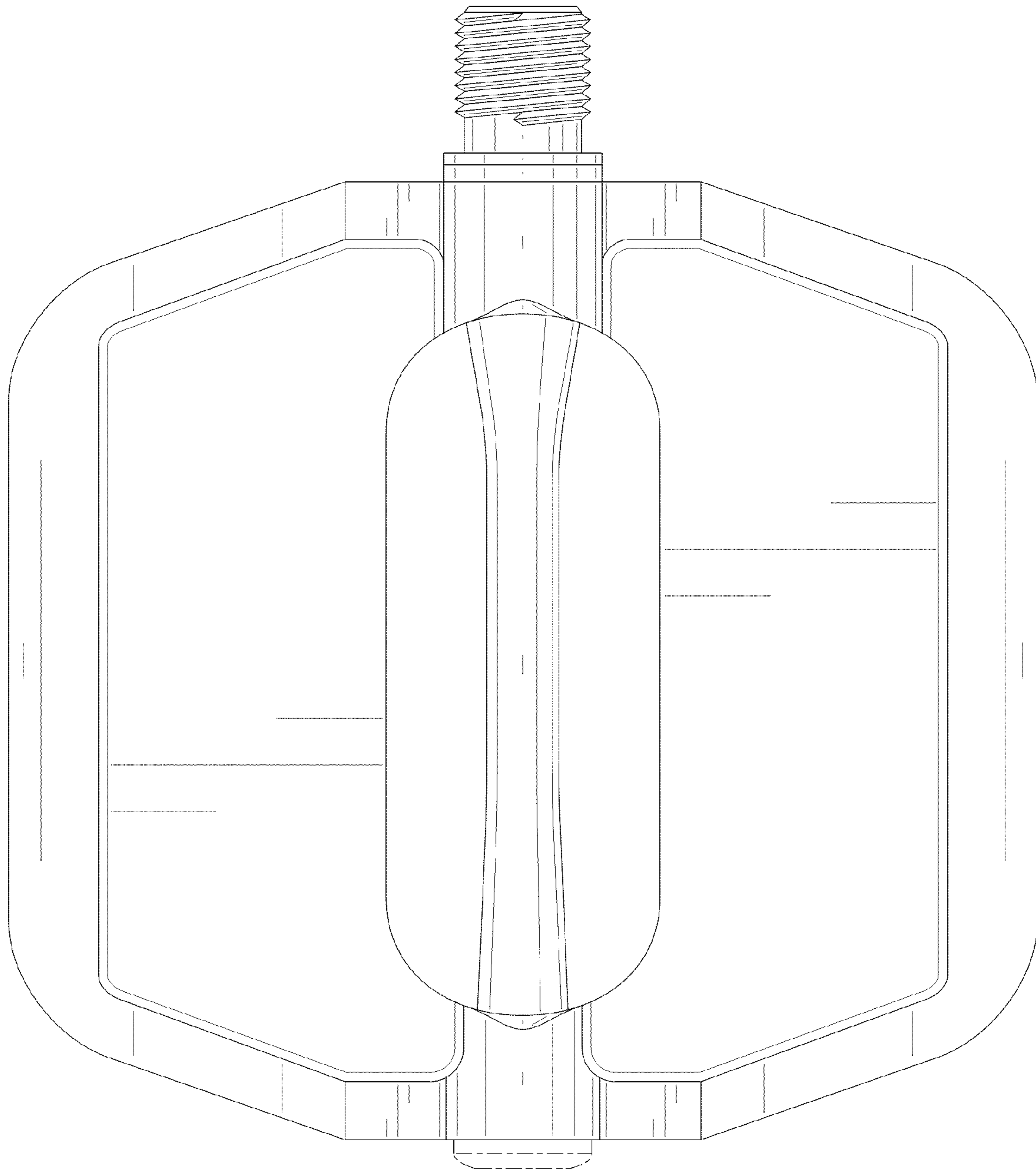


FIG. 5