



US00D614994S

(12) **United States Design Patent**
Dipaolo et al.

(10) **Patent No.:** **US D614,994 S**

(45) **Date of Patent:** **** May 4, 2010**

(54) **PLANTER CONTAINER PARTITION**

(75) Inventors: **Frank Dipaolo**, Scranton, PA (US);
Matthew Markefka, Doylestown, PA (US)

(73) Assignee: **Laminations, Inc.**, Archbald, PA (US)

(**) Term: **14 Years**

(21) Appl. No.: **29/337,245**

(22) Filed: **May 18, 2009**

(51) **LOC (9) Cl.** **11-02**

(52) **U.S. Cl.** **D11/164**

(58) **Field of Classification Search** D6/403-406,
D6/556-558; D8/1; D11/143-156, 164;
D19/77, 80-82, 84; D23/355, 356; D25/100;
D26/9-11, 16, 20, 22; D34/1, 2, 4-6; D99/5,
D99/19; 47/32.4, 32.5, 32.7, 33, 39, 41.01,
47/41.1, 41.11-41.15, 42-47, 65, 65.5, 65.9,
47/66.1, 66.6, 66.7, 67-71

See application file for complete search history.

(56) **References Cited**

U.S. PATENT DOCUMENTS

D255,081 S * 5/1980 Ramorini D11/156
D294,548 S * 3/1988 Wallace D6/558
D359,013 S * 6/1995 Carlson D11/156
D385,507 S * 10/1997 Hulsebus D11/156
D414,443 S * 9/1999 Nobile D11/156

D423,983 S * 5/2000 Goldman et al. D11/143
6,182,394 B1 * 2/2001 Bassler 47/65.5
D486,420 S * 2/2004 Fan D11/156
D507,204 S * 7/2005 Chang D11/156
2006/0230676 A1 * 10/2006 Rowe et al. 47/66.6

* cited by examiner

Primary Examiner—Caron Veynar

Assistant Examiner—Garth Rademaker

(74) *Attorney, Agent, or Firm*—William E. Jackson, Esq.;
Stites & Harbison PLLC

(57) **CLAIM**

The ornamental design for a planter container partition, as shown and described.

DESCRIPTION

FIG. 1 is a perspective top, front and left side view of a planter container partition, showing the new design.

FIG. 2 is a top view thereof.

FIG. 3 is a left side view thereof.

FIG. 4 is a right side view thereof.

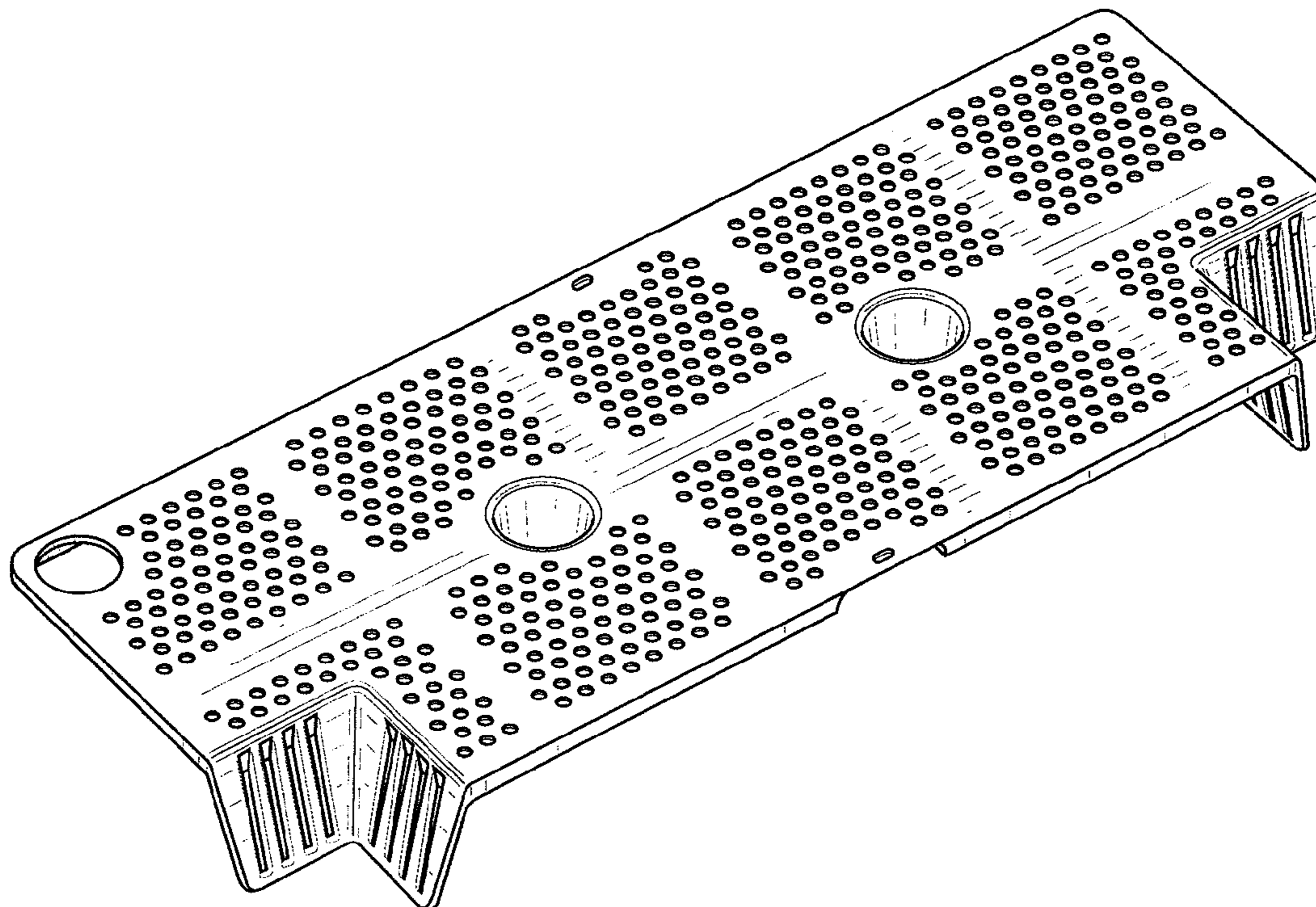
FIG. 5 is a front view thereof.

FIG. 6 is rear view thereof.

FIG. 7 is a bottom view thereof; and,

FIG. 8 is a partial perspective bottom, front and left side view thereof.

1 Claim, 7 Drawing Sheets



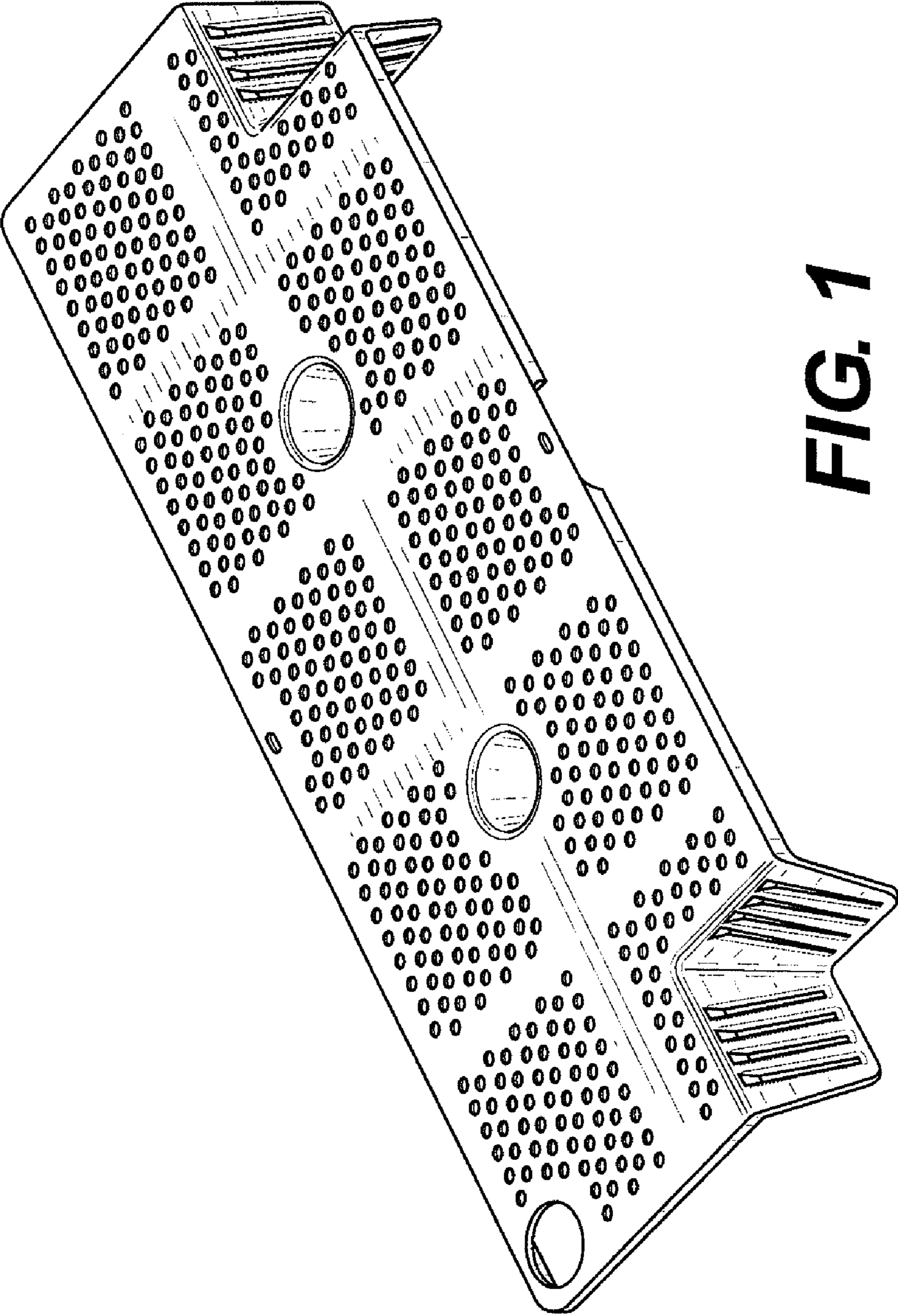


FIG. 1

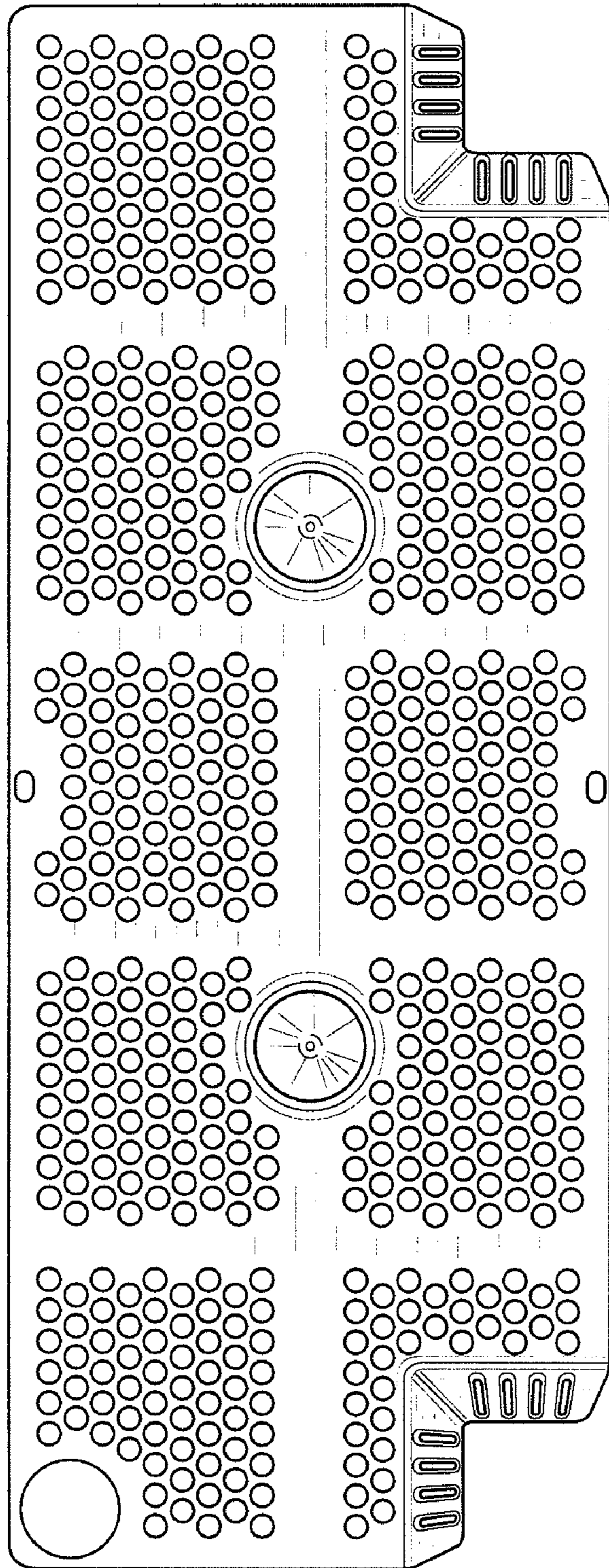


FIG. 2

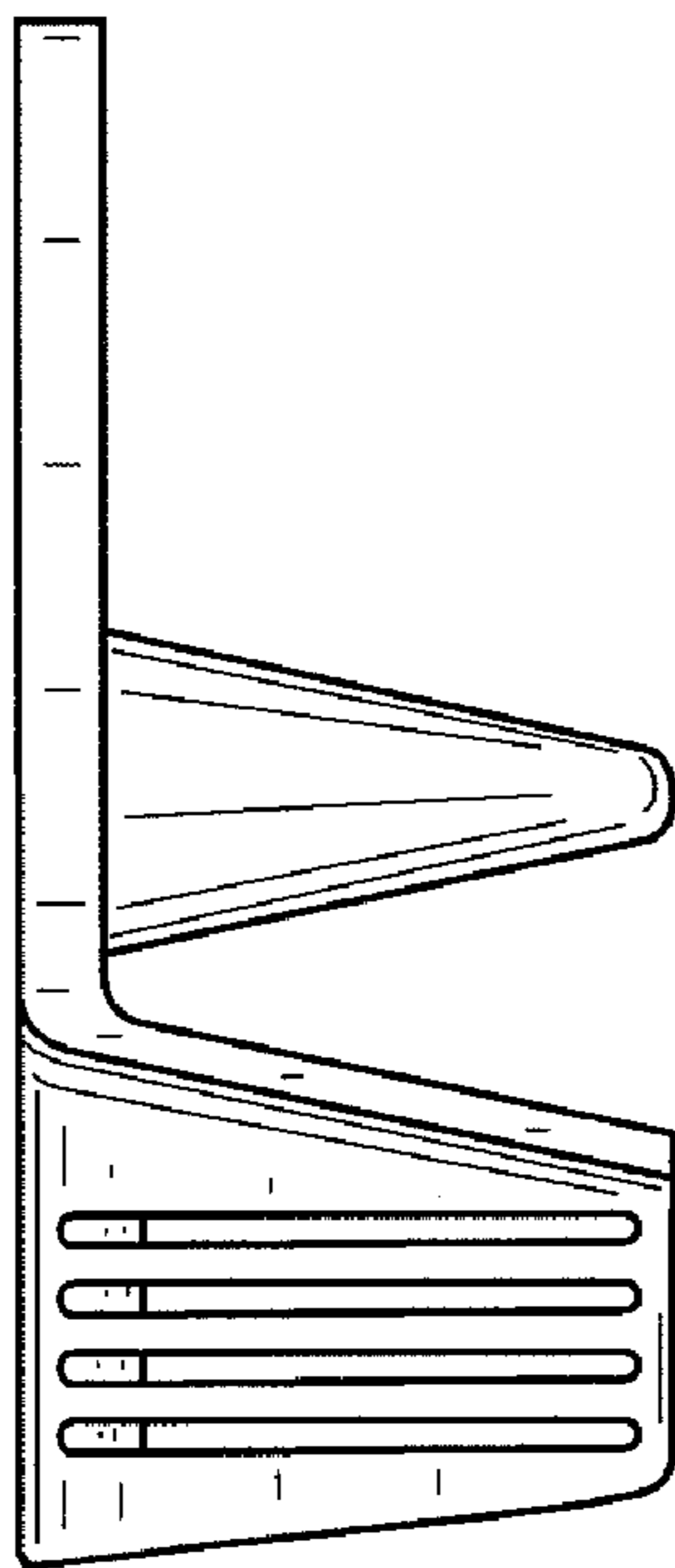


FIG. 3

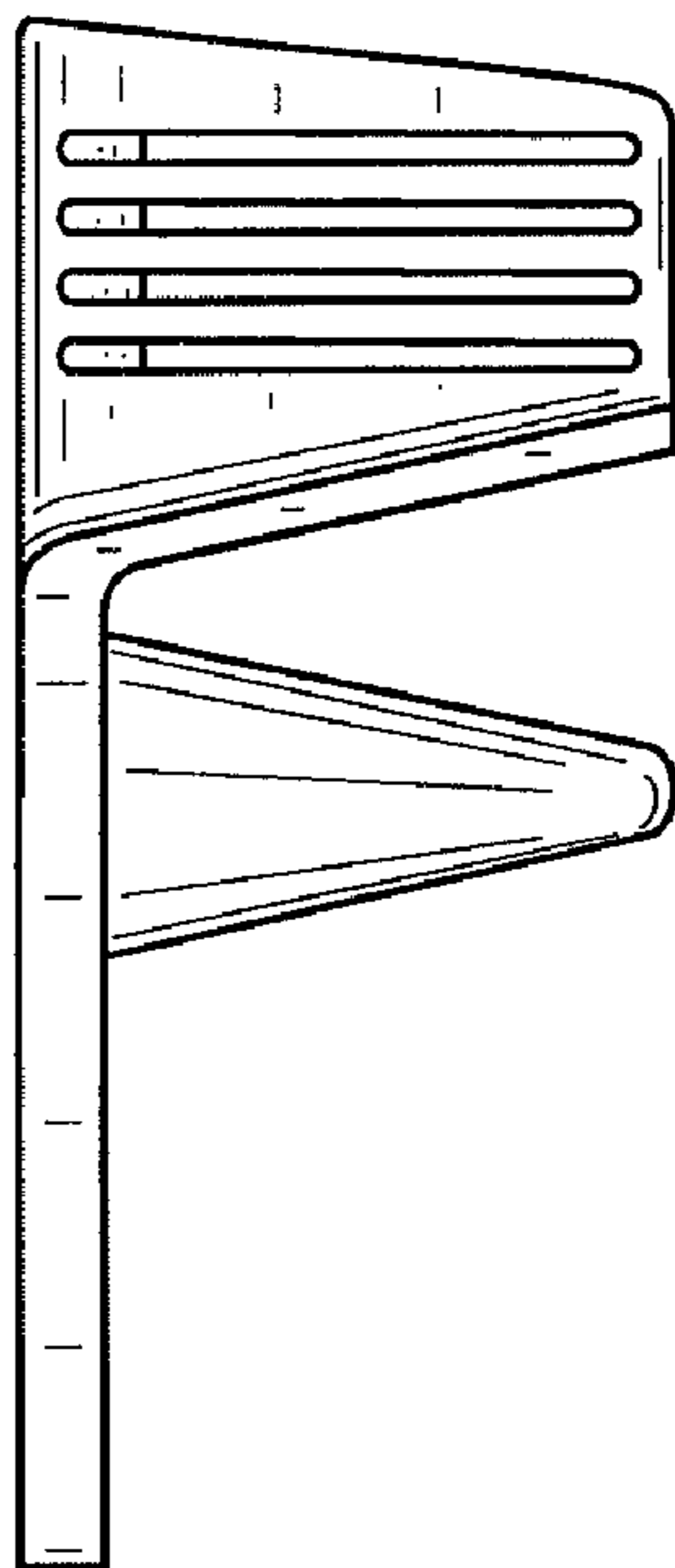


FIG. 4

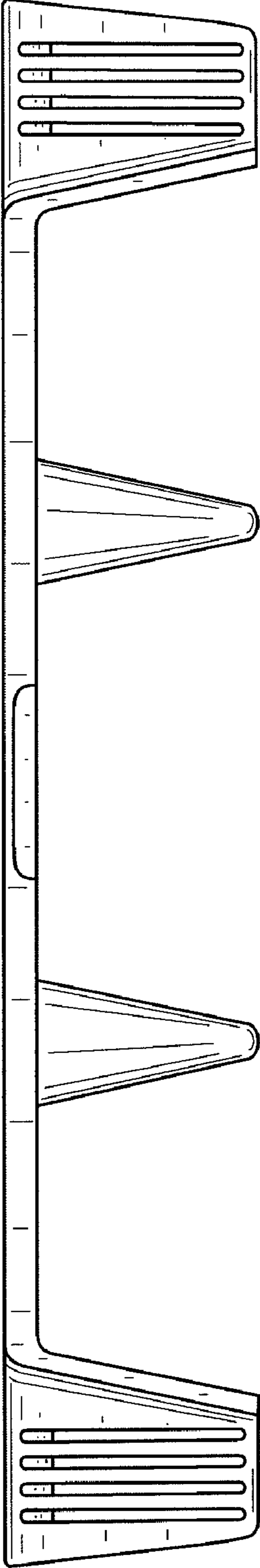


FIG. 5

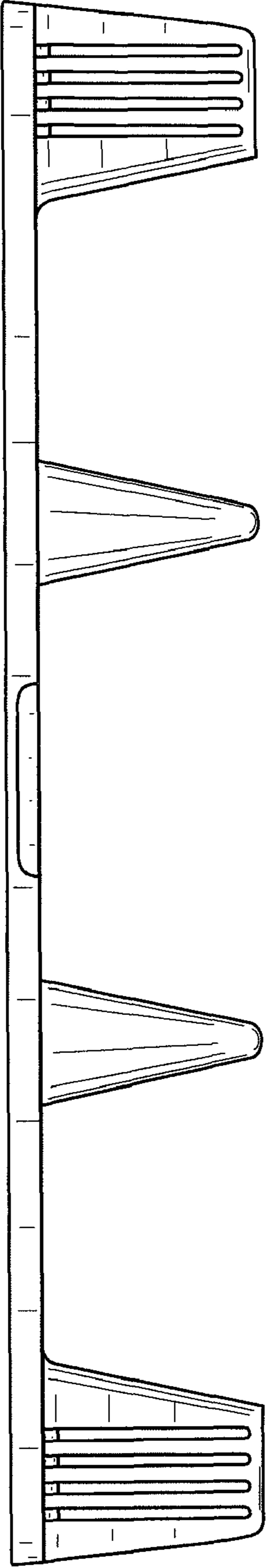


FIG. 6

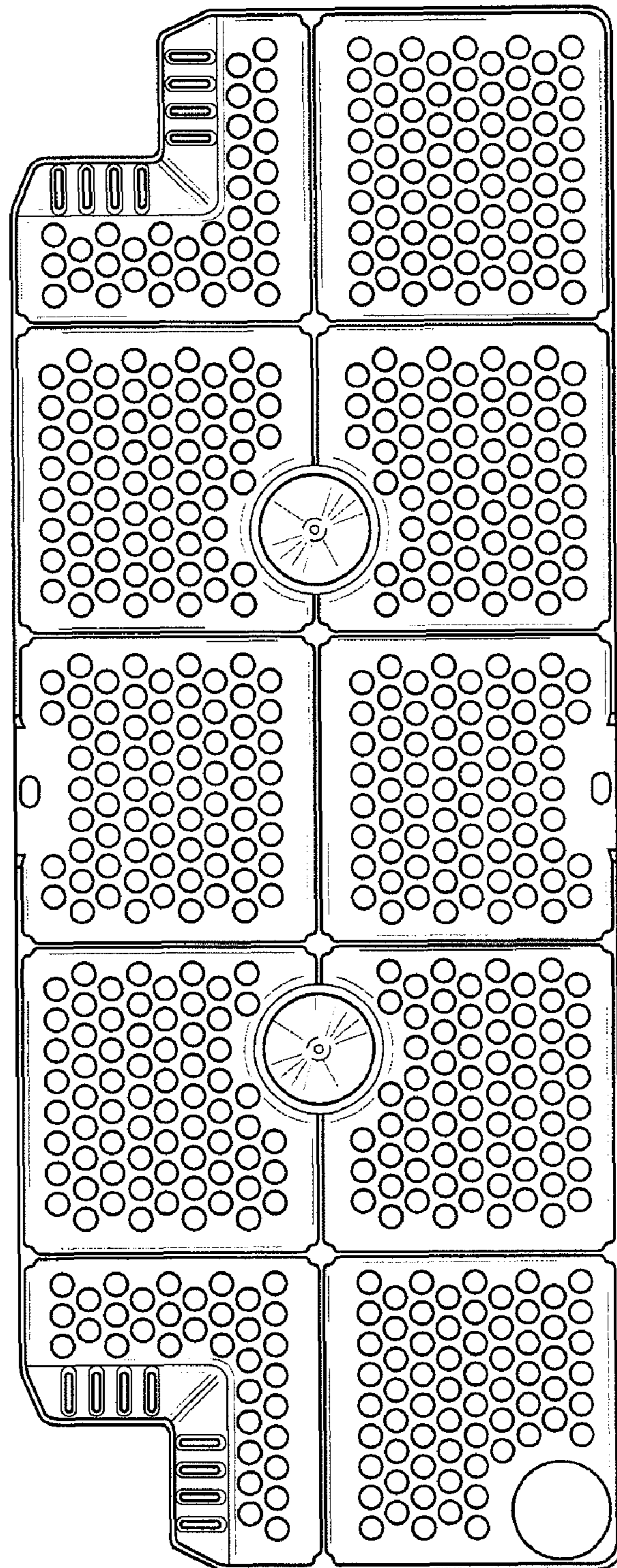


FIG. 7

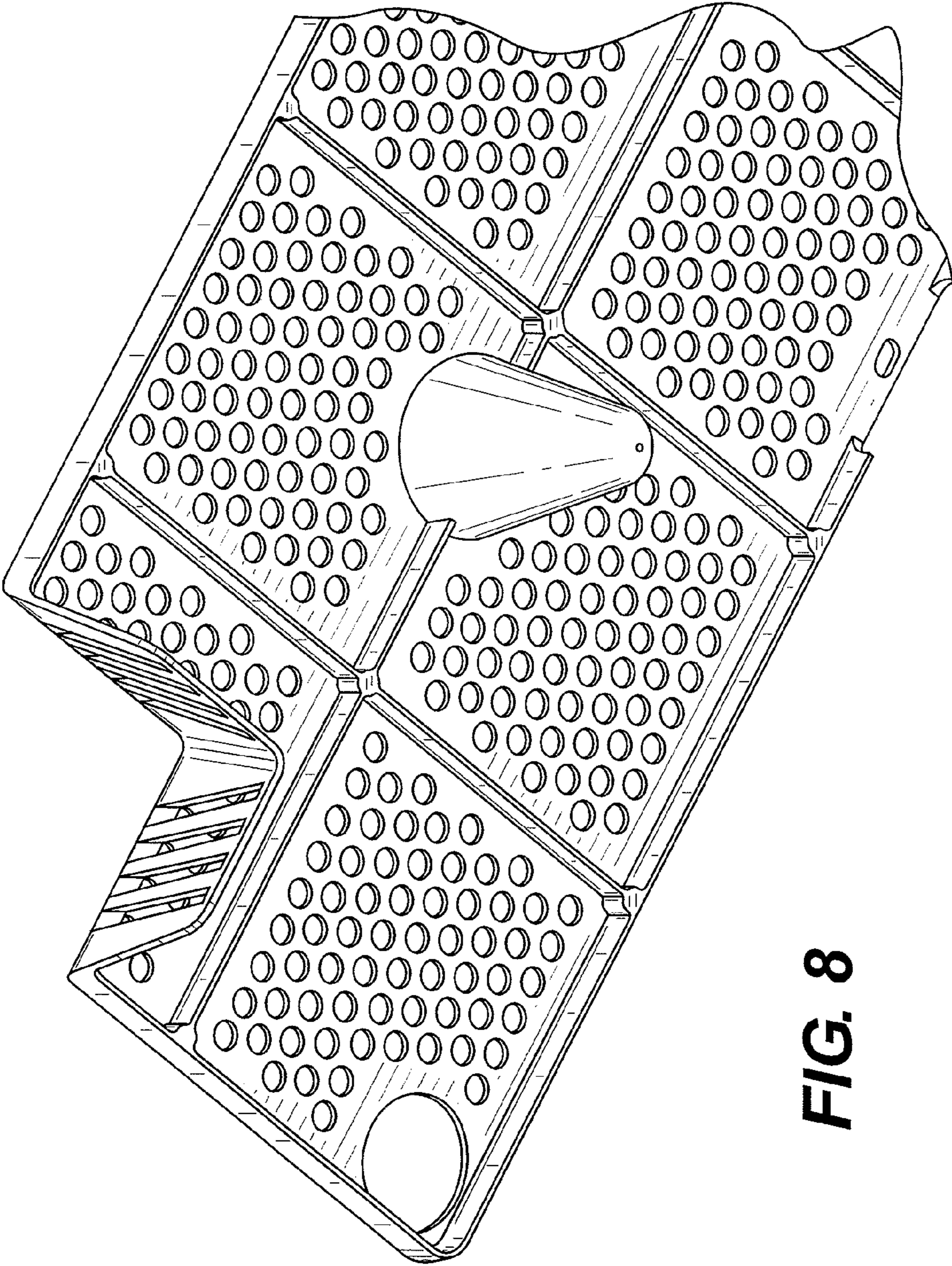


FIG. 8