



US00D614992S

(12) **United States Design Patent**
DiPaolo et al.

(10) **Patent No.:** **US D614,992 S**
(45) **Date of Patent:** **** May 4, 2010**

(54) **PLANTER CONTAINER**

(75) Inventors: **Frank DiPaolo**, Scranton, PA (US);
Matthew Markefka, Doylestown, PA (US)

(73) Assignee: **Laminations, Inc.**, Archbald, PA (US)

(**) Term: **14 Years**

(21) Appl. No.: **29/337,250**

(22) Filed: **May 18, 2009**

(51) **LOC (9) Cl.** **11-02**

(52) **U.S. Cl.** **D11/156**

(58) **Field of Classification Search** D6/403-406,
D6/556-558; D8/1; D11/143-156, 164;
D19/77, 80-82, 84; D23/355, 356; D25/100;
D26/9-11, 16, 20, 22; D34/1, 2, 4-6; D99/5,
D99/19; 47/32.4, 32.5, 32.7, 33, 39, 41.01,
47/41.1, 41.11-41.15, 42-47, 65, 65.5, 65.9,
47/66.1, 66.6, 66.7, 67-71

See application file for complete search history.

(56) **References Cited**

U.S. PATENT DOCUMENTS

3,082,575 A * 3/1963 Schulz 47/73
D359,013 S * 6/1995 Carlson D11/156
D385,507 S * 10/1997 Hulsebus D11/156
D389,091 S * 1/1998 Dickinson et al. D11/156
D393,605 S * 4/1998 Dallaire D11/156
D402,230 S * 12/1998 Schorr D11/156

D403,268 S * 12/1998 Dignam D11/156
D450,011 S * 11/2001 Fan D11/156
6,615,540 B1 * 9/2003 Muller 47/68
D604,921 S * 11/2009 Presnell D34/1

* cited by examiner

Primary Examiner—Caron Veynar

Assistant Examiner—Garth Rademaker

(74) *Attorney, Agent, or Firm*—Willaim E. Jackson, Esq.;
Stites & Harbison P.C.

(57) **CLAIM**

The ornamental design for a planter container, as shown and described.

DESCRIPTION

FIG. 1 is a top, front, left side perspective view of a planter container showing the new design;

FIG. 2 is a perspective bottom, front and left side view thereof.

FIG. 3 is a front view thereof.

FIG. 4 is a rear view thereof.

FIG. 5 is a left side view thereof.

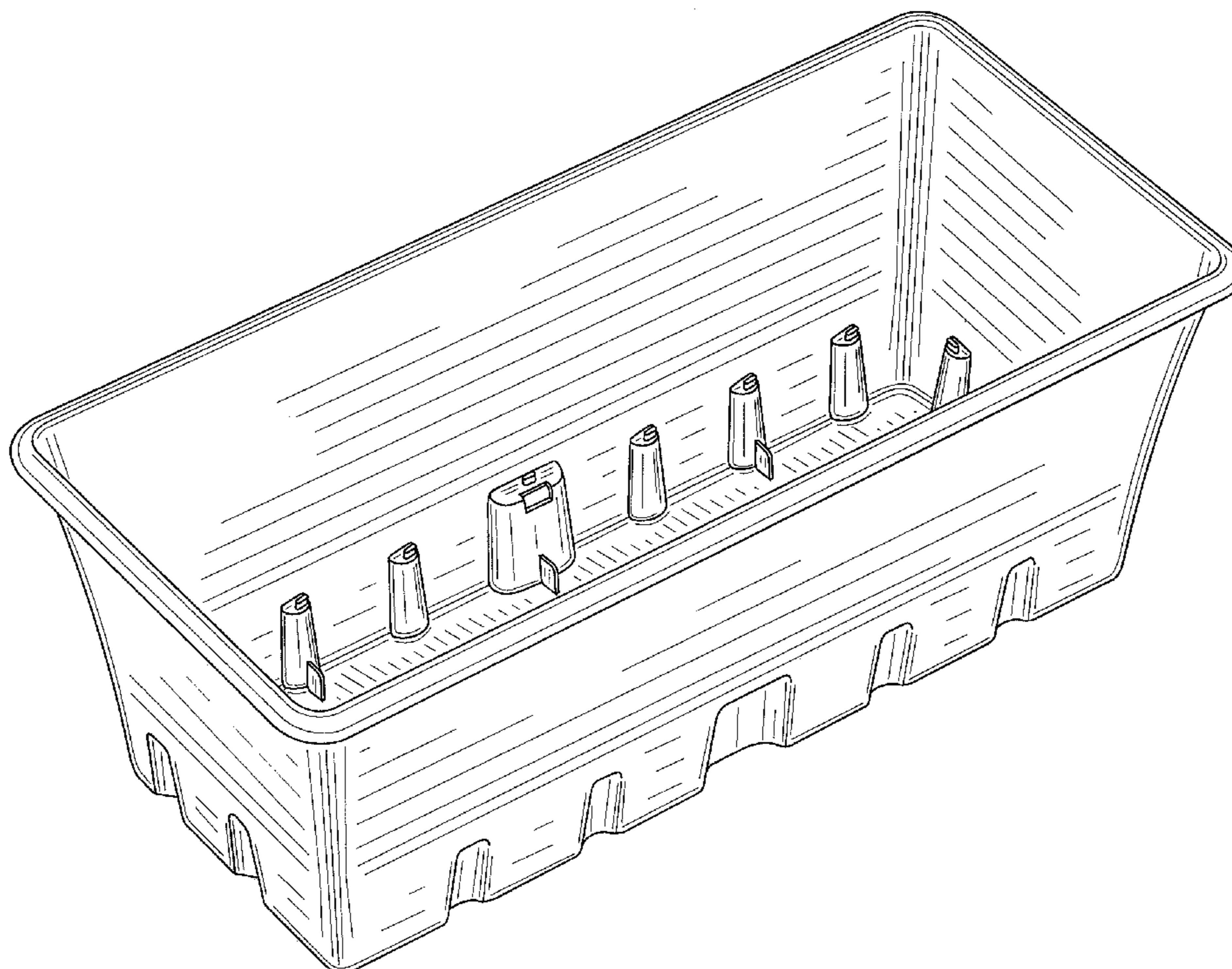
FIG. 6 is a right side view thereof.

FIG. 7 is top view thereof; and,

FIG. 8 is a bottom view thereof.

The broken lines depict environmental subject matter only and form no part of the claimed design.

1 Claim, 7 Drawing Sheets



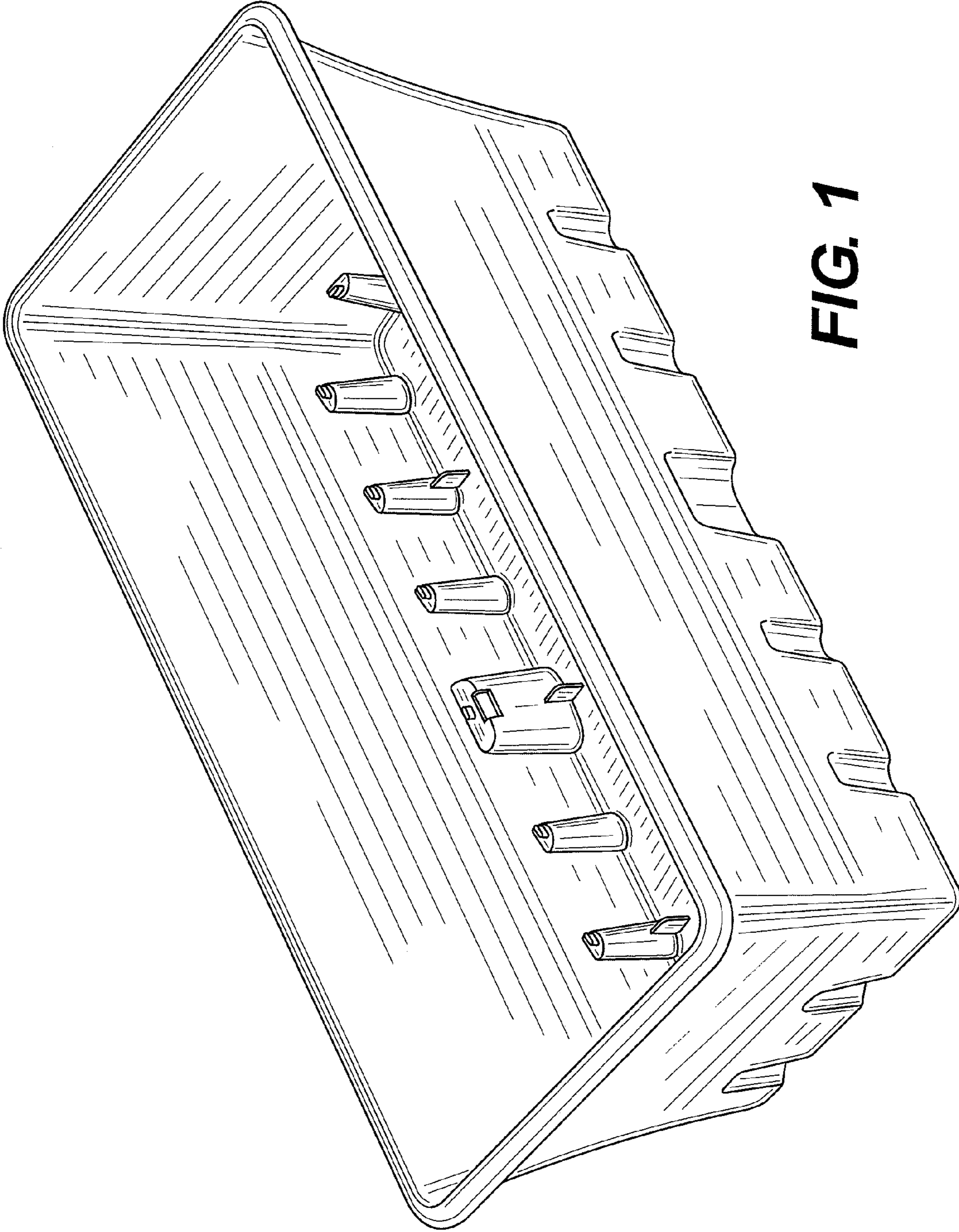


FIG. 1

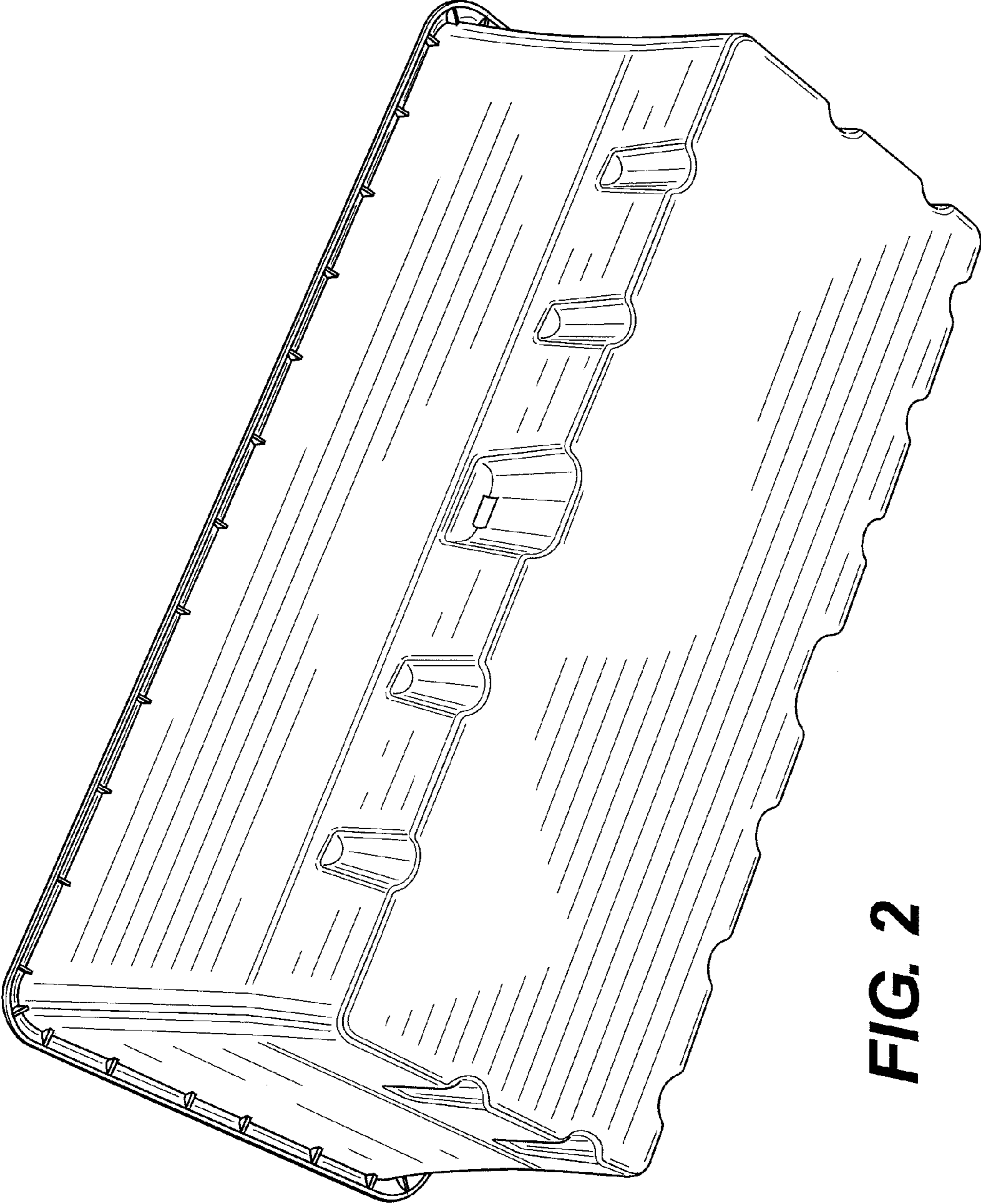


FIG. 2

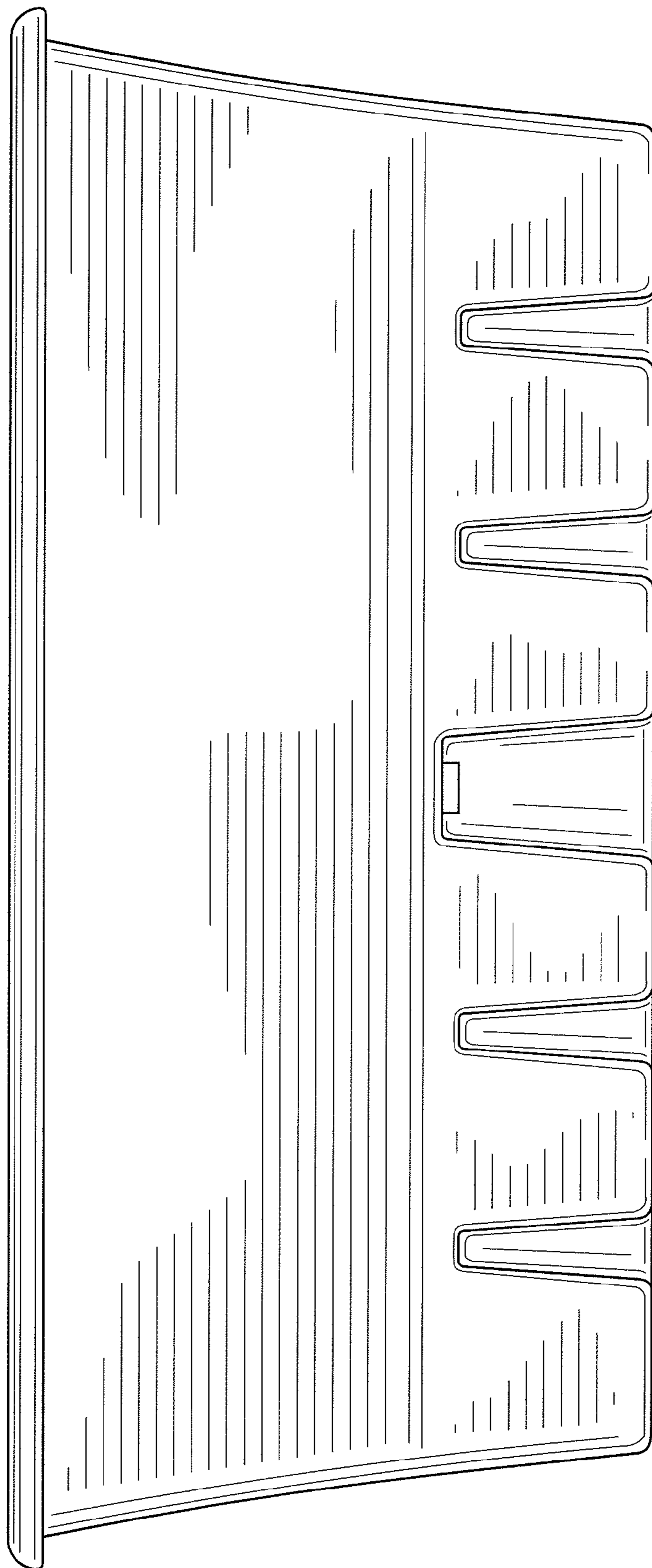


FIG. 3

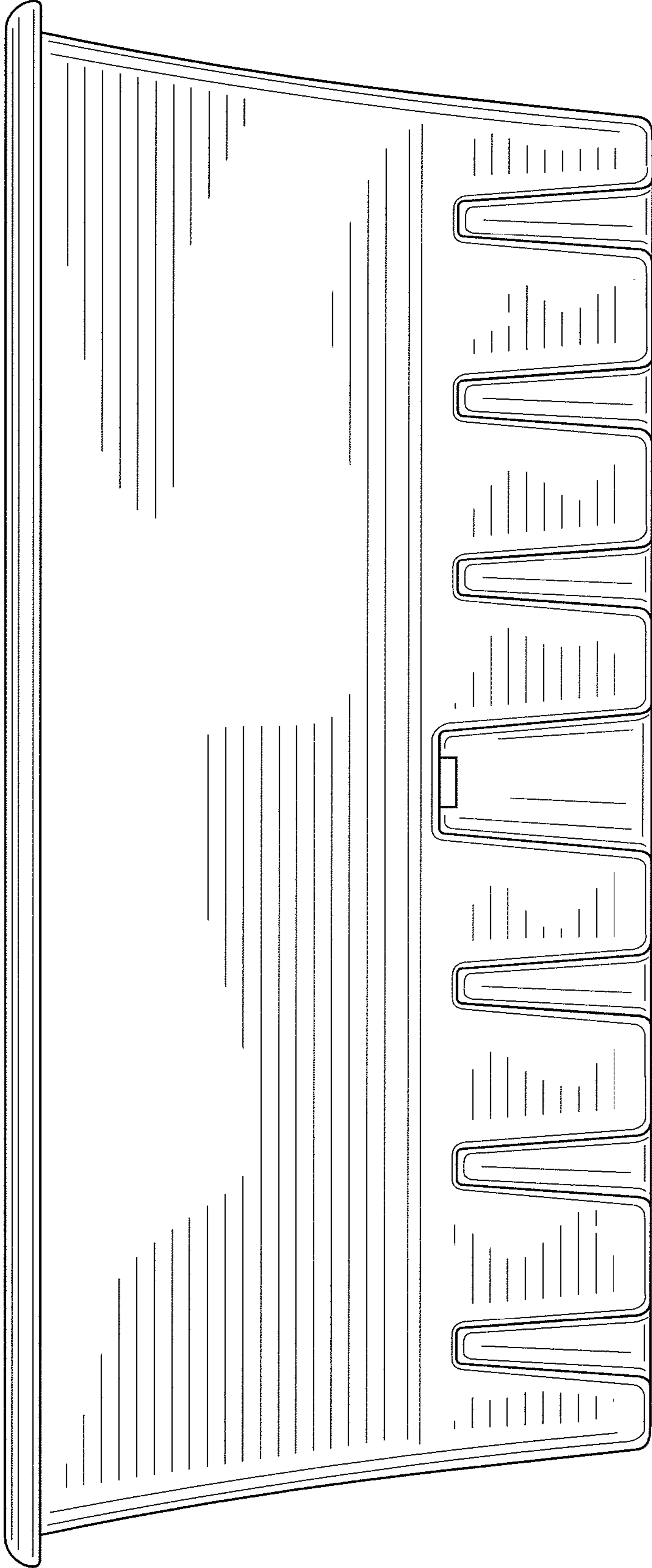


FIG. 4

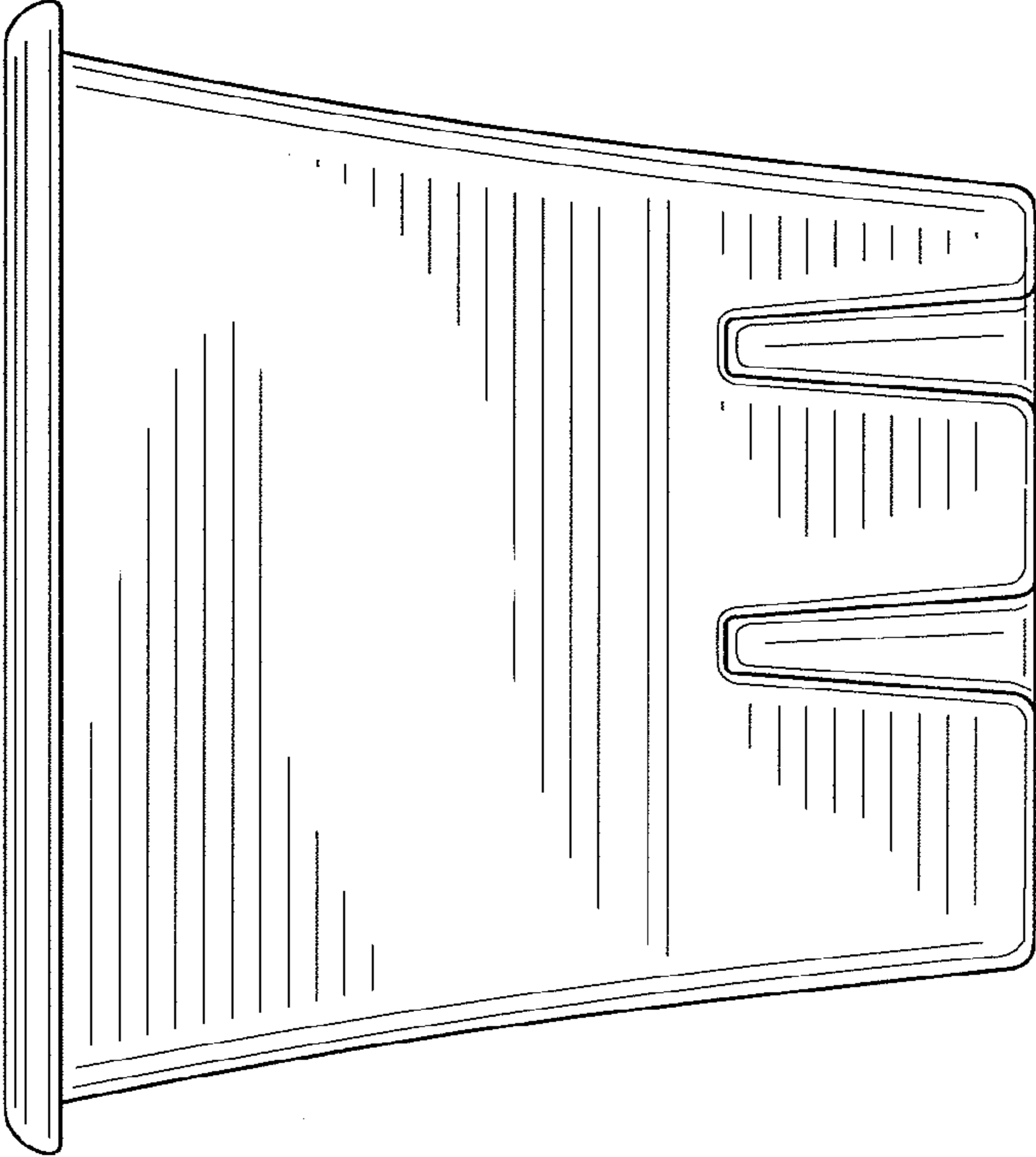


FIG. 6

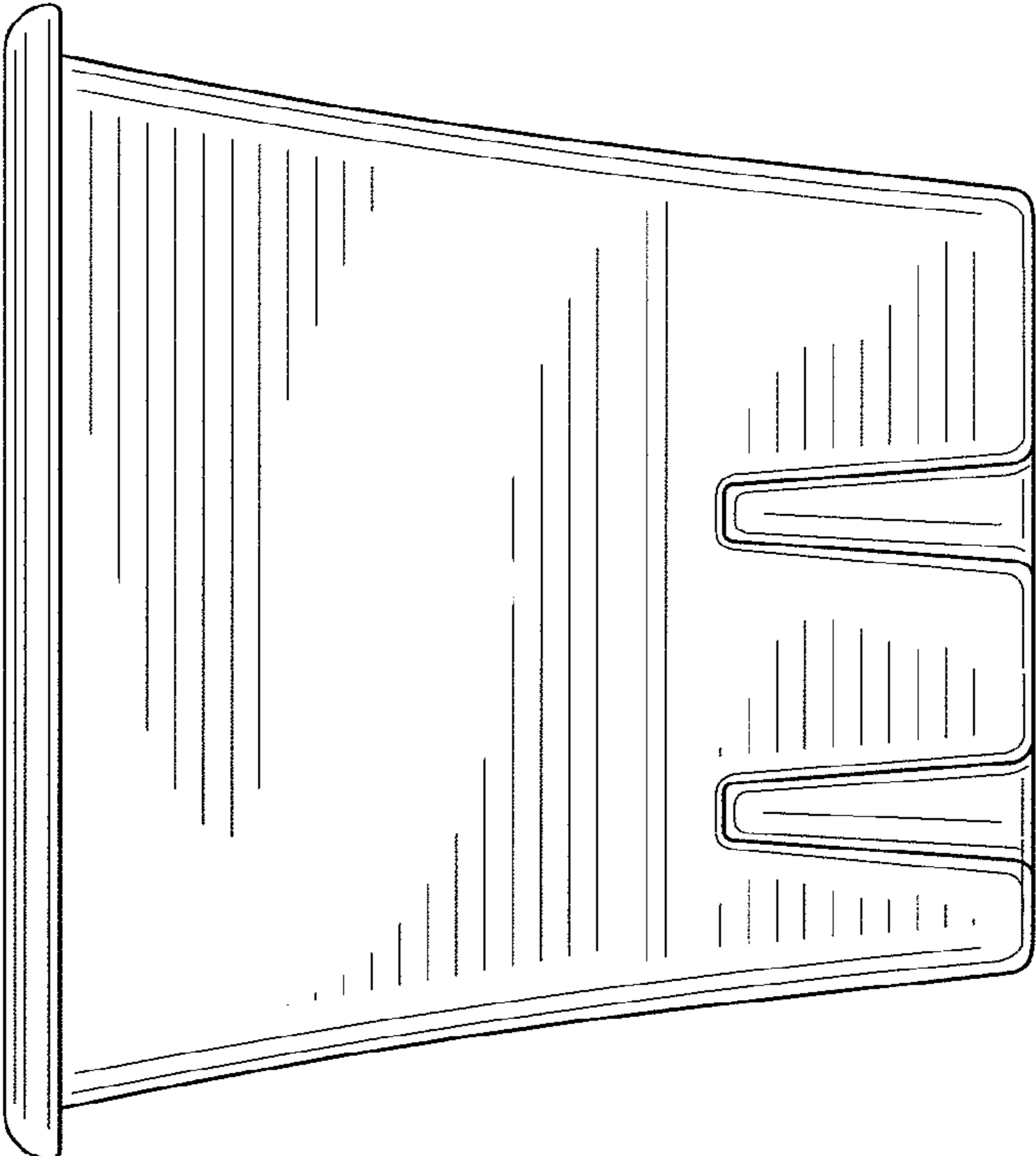


FIG. 5

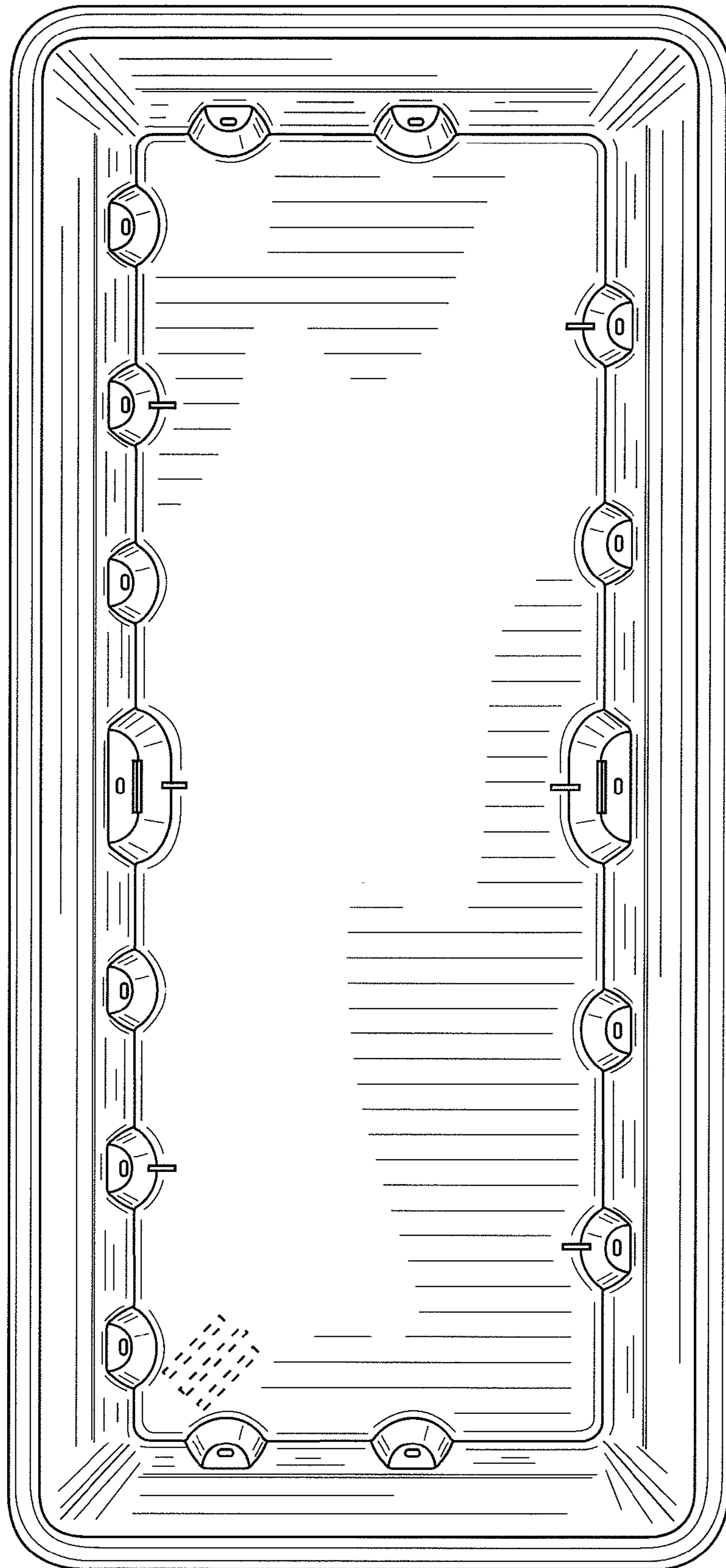


FIG. 7

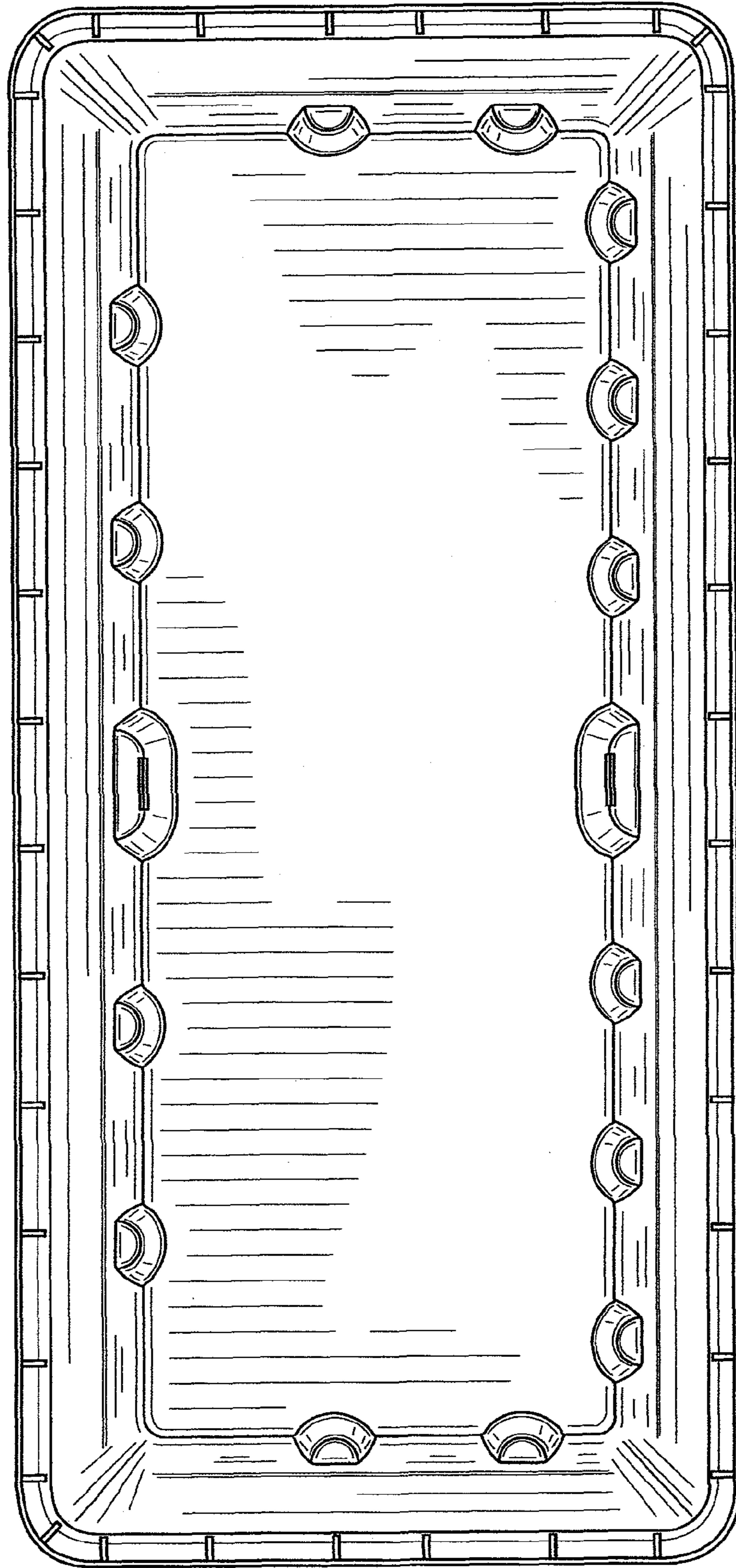


FIG. 8