



US00D614991S

(12) **United States Design Patent**
White

(10) **Patent No.:** **US D614,991 S**

(45) **Date of Patent:** **** May 4, 2010**

(54) **POT**

(75) **Inventor:** **Scott White**, Toronto (CA)

(73) **Assignee:** **CTI International Limited**, Toronto (CA)

(**) **Term:** **14 Years**

(21) **Appl. No.:** **29/311,648**

(22) **Filed:** **May 14, 2009**

(51) **LOC (9) Cl.** **11-02**

(52) **U.S. Cl.** **D11/152**

(58) **Field of Classification Search** D7/300,
D7/300.1, 312, 316, 318, 354, 356, 360, 376,
D7/380, 392.1, 394, 396.2, 396.6, 397, 500,
D7/501, 503, 505, 507, 523, 532, 535, 538,
D7/540-555, 557, 558, 560-562, 565, 566,
D7/570-571, 584-588, 601-602, 611, 624.1,
D7/629-630, 642, 669, 682-383, 686, 688,
D7/701; D6/339, 406.1-406.6, 419, 429,
D6/430; D9/340, 414-418, 420, 422-426,
D9/428-433, 456-457, 499, 500, 502, 655-657,
D9/702-703, 737, 749, 755, 761, 769, 772,
D9/901, 902; D11/143, 152, 154, 155, 156;
D12/133, 416, 419, 426.1; D14/157, 447,
D14/457; D19/35; D24/132, 216, 220, 221,
D24/224, 227; D26/121; D30/123, 129-130;
220/23.83, 212, 506, 555, 560, 561, 574-575,
220/577, 657; 206/561, 565; 425/459, 623;
426/106, 119, 120, 127; 47/32.7, 33, 41.01,
47/41.1, 41.11, 44-47, 65, 65.5, 66.2, 66.7,
47/67-69, 83, 84

See application file for complete search history.

(56) **References Cited**

U.S. PATENT DOCUMENTS

D99,799 S *	5/1936	Haisey	D7/561
D172,197 S *	5/1954	Rowe	D11/143
3,374,575 A *	3/1968	Tong	47/41.12
D445,632 S *	7/2001	Bradley	D7/360
D461,742 S *	8/2002	Carlson	D11/152
D483,218 S *	12/2003	Fino et al.	D7/360
D505,882 S *	6/2005	Hensen	D11/152
D539,094 S *	3/2007	Wasserman et al.	D7/584
D540,112 S *	4/2007	Nichols et al.	D7/354
D568,113 S *	5/2008	Wasserman et al.	D7/586
D568,688 S *	5/2008	Wasserman et al.	D7/586
2008/0211189 A1 *	9/2008	Williams et al.	273/348

* cited by examiner

Primary Examiner—Jeffrey D Asch
Assistant Examiner—Bridget L Eland
(74) *Attorney, Agent, or Firm*—Riches, McKenzie & Herbert LLP

(57) **CLAIM**

I claim the ornamental design for a pot, as shown and described.

DESCRIPTION

FIG. 1 is a left side perspective view of a pot showing my new design;
FIG. 2—is a top plan view thereof;
FIG. 3—is a bottom plan view thereof;
FIG. 4—is a left side elevation view thereof; and,
FIG. 5 is an end elevation view thereof.

1 Claim, 3 Drawing Sheets

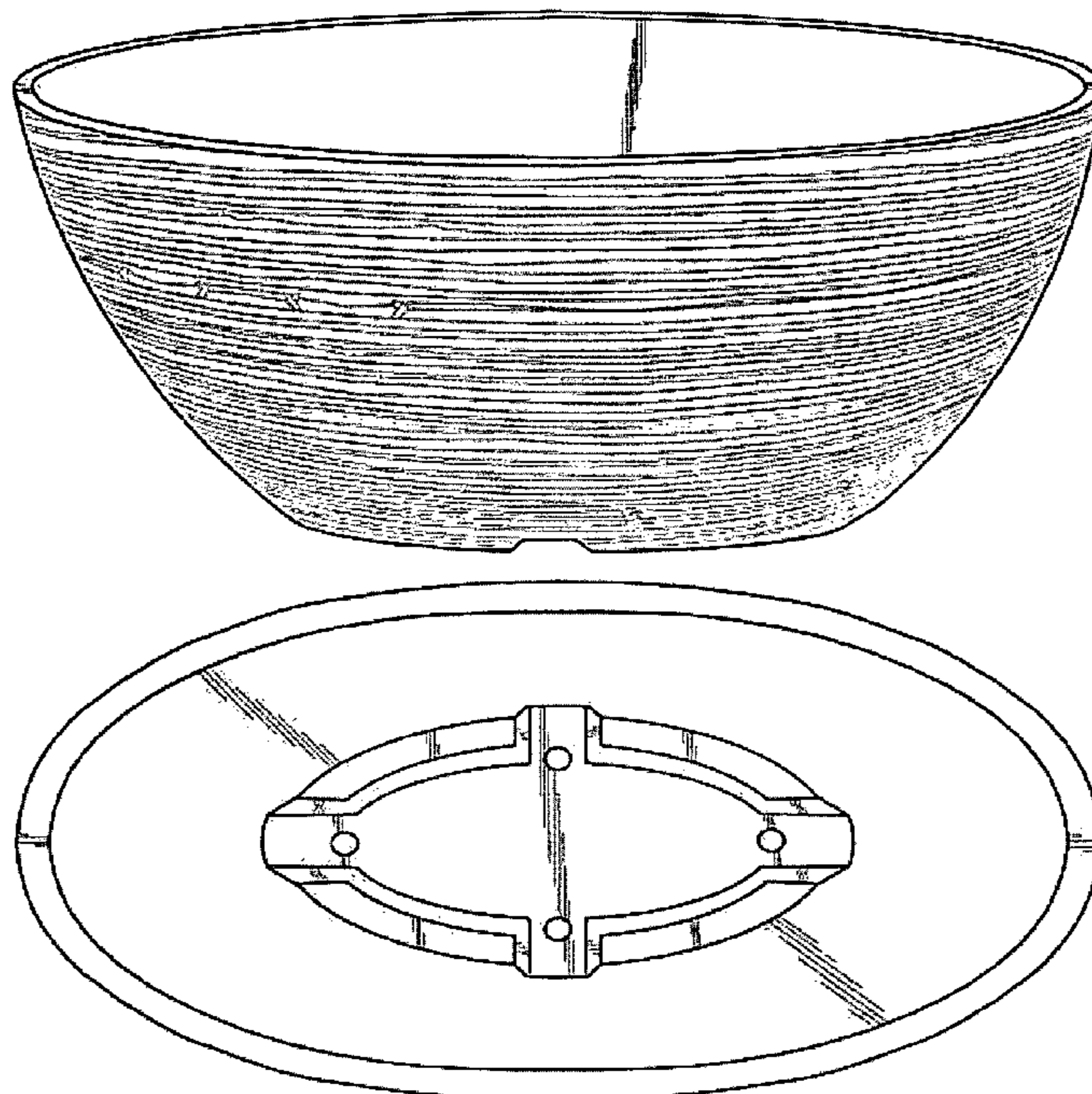


FIG. 1

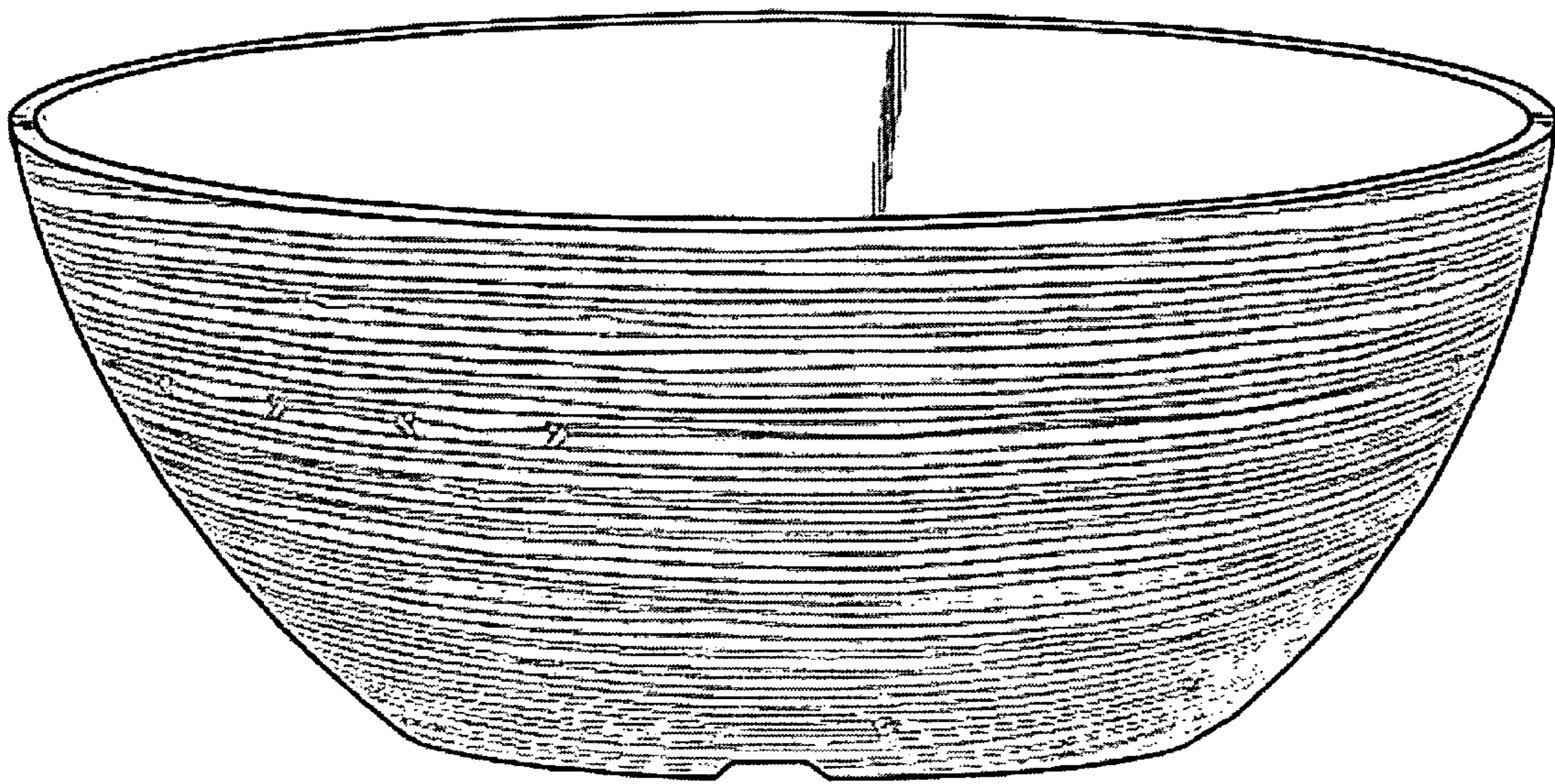


FIG. 2

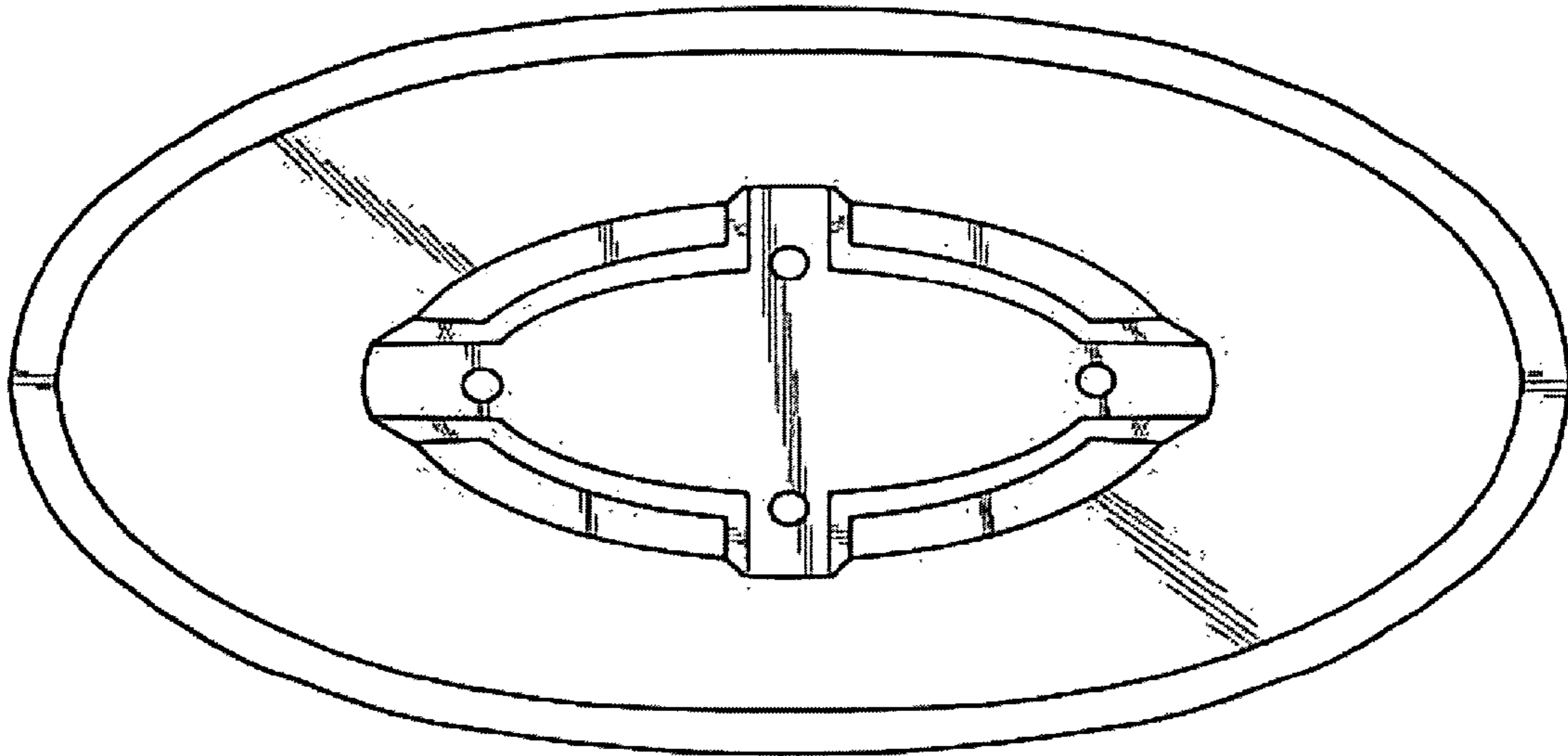


FIG. 3

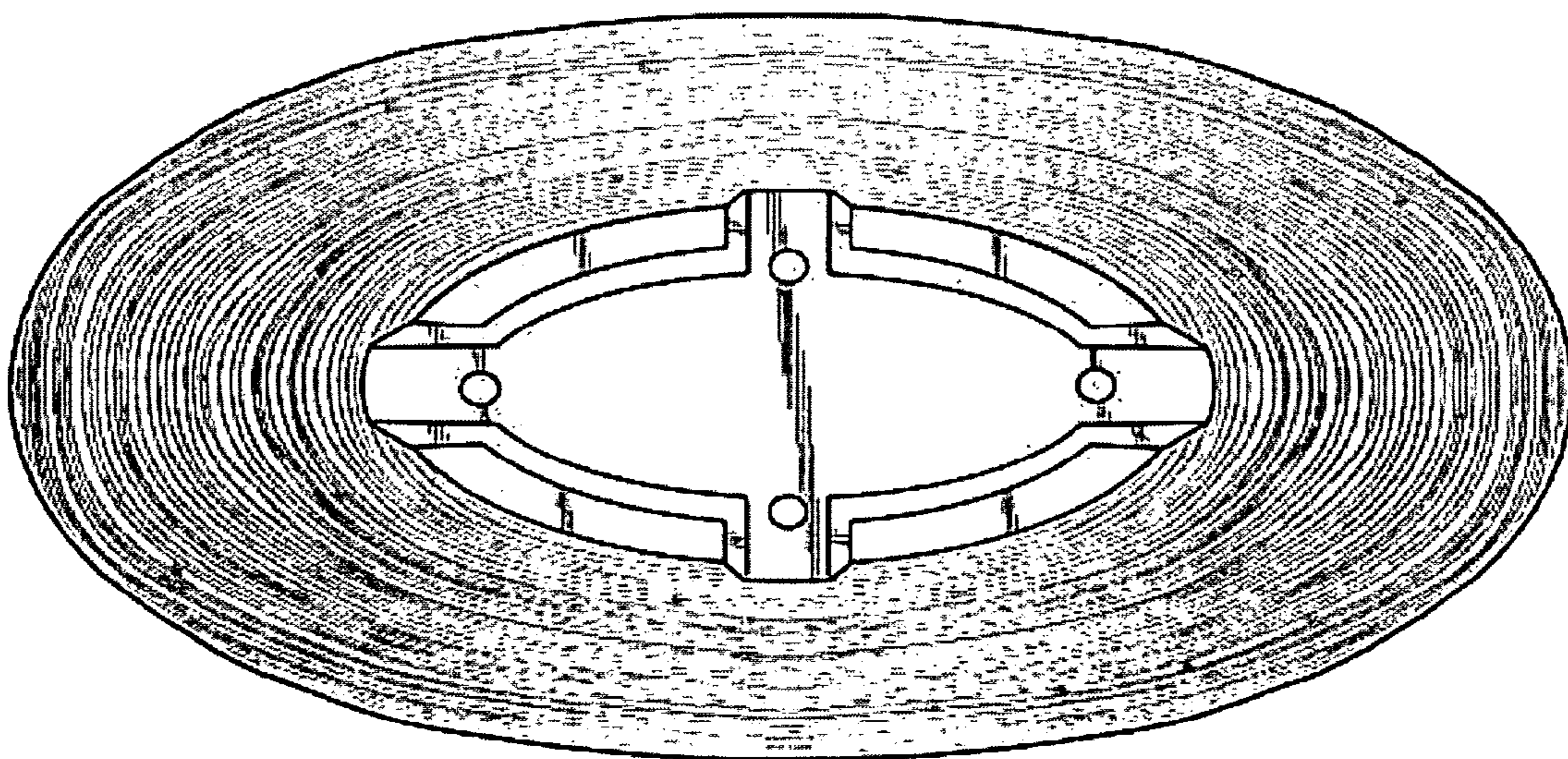


FIG. 4

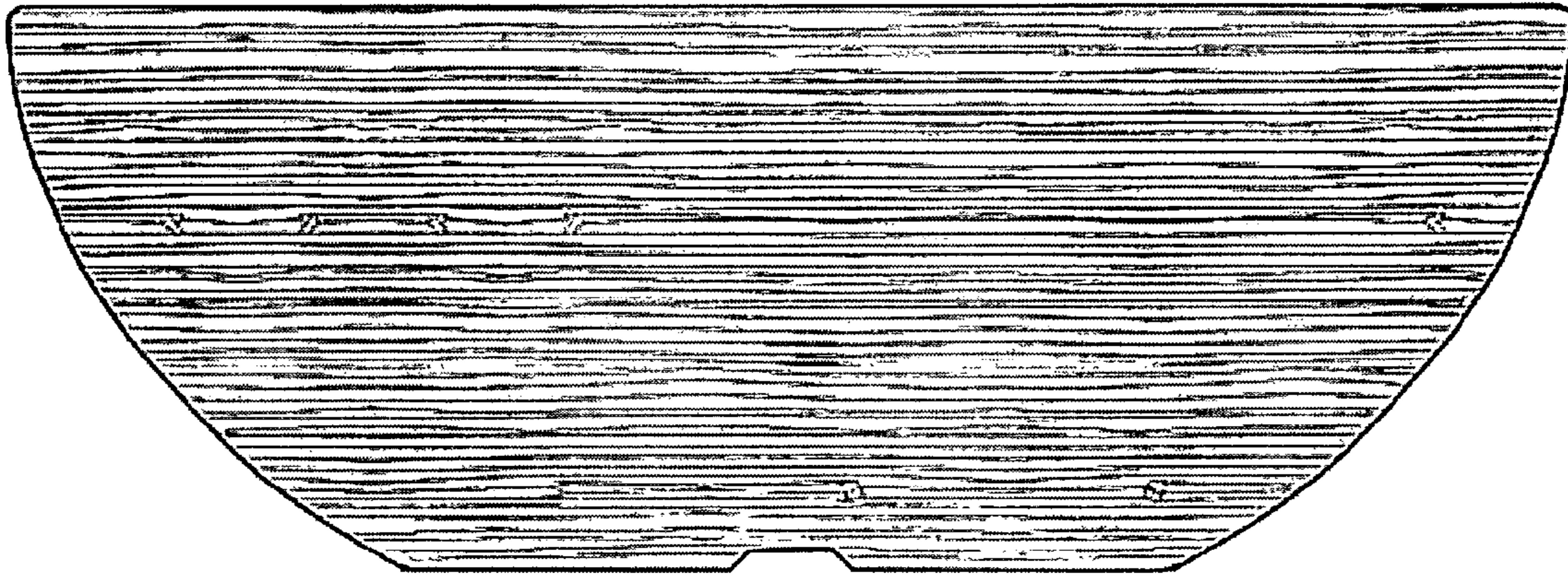


FIG. 5

