



US00D614984S

(12) **United States Design Patent**
Christensen et al.

(10) **Patent No.:** **US D614,984 S**
(45) **Date of Patent:** **** May 4, 2010**

(54) **BARRICADE**

(75) Inventors: **Marc E. Christensen**, Salt Lake City, UT (US); **David C. Winter**, Layton, UT (US); **Edward G. Van Nimwegen**, Layton, UT (US); **Jay D. Spendlove**, Layton, UT (US)

(73) Assignee: **Off The Wall Products, LLC**, Salt Lake City, UT (US)

(**) Term: **14 Years**

(21) Appl. No.: **29/339,671**

(22) Filed: **Jul. 6, 2009**

(51) **LOC (9) Cl.** **10-05**

(52) **U.S. Cl.** **D10/113**

(58) **Field of Classification Search** D10/109, D10/113; 40/448, 544, 584, 606, 607, 608, 40/611, 612; 340/908.1; 116/63 R, 63 P, 116/63 C, 63 T; 404/9-16, 6; D25/50, 38, D25/113

See application file for complete search history.

(56) **References Cited**

U.S. PATENT DOCUMENTS

2,279,942 A	4/1942	Hausherr	
3,326,099 A	6/1967	Cova et al.	
3,980,279 A	9/1976	Bofinger	
4,474,503 A	10/1984	Booth et al.	
4,681,302 A	7/1987	Thompson	
4,773,629 A	9/1988	Yodock	
4,869,617 A	9/1989	Chiodo	
5,011,325 A	4/1991	Antonioli	
5,104,254 A	4/1992	Durand	
5,123,773 A	6/1992	Yodock	
5,137,391 A	8/1992	Ballesteros	
D341,098 S *	11/1993	Yodock D10/109
5,452,963 A	9/1995	Christensen	
5,498,101 A	3/1996	Braverman	
5,531,540 A	7/1996	Wasserstrom et al.	
5,605,413 A	2/1997	Brown	
5,611,641 A	3/1997	Christensen	

5,639,179 A	6/1997	Jensen
5,685,665 A	11/1997	Lembo
D400,264 S	10/1998	Striefel et al.
5,836,714 A	11/1998	Christensen
5,882,140 A	3/1999	Yodock, Jr. et al.
5,988,934 A	11/1999	Wasserstrom
5,993,103 A	11/1999	Christensen
6,059,491 A	5/2000	Striefel et al.
6,085,458 A	7/2000	Gau
6,086,285 A	7/2000	Christensen

(Continued)

FOREIGN PATENT DOCUMENTS

AU B-50241/93 11/1995

(Continued)

OTHER PUBLICATIONS

Dexterity Design, MB-2 Modifications for Light Receiver, 2 pages, Dec. 2001.

Primary Examiner—Caron Veynar

Assistant Examiner—George D Kirschbaum

(74) *Attorney, Agent, or Firm*—Workman Nydegger

(57) **CLAIM**

The ornamental design for a barricade, as shown and described.

DESCRIPTION

FIG. 1 is a top perspective view of a barricade showing our new design;

FIG. 2 is a bottom perspective view thereof;

FIG. 3 is a front elevational view thereof;

FIG. 4 is a left side elevational view thereof;

FIG. 5 is a top plan view thereof;

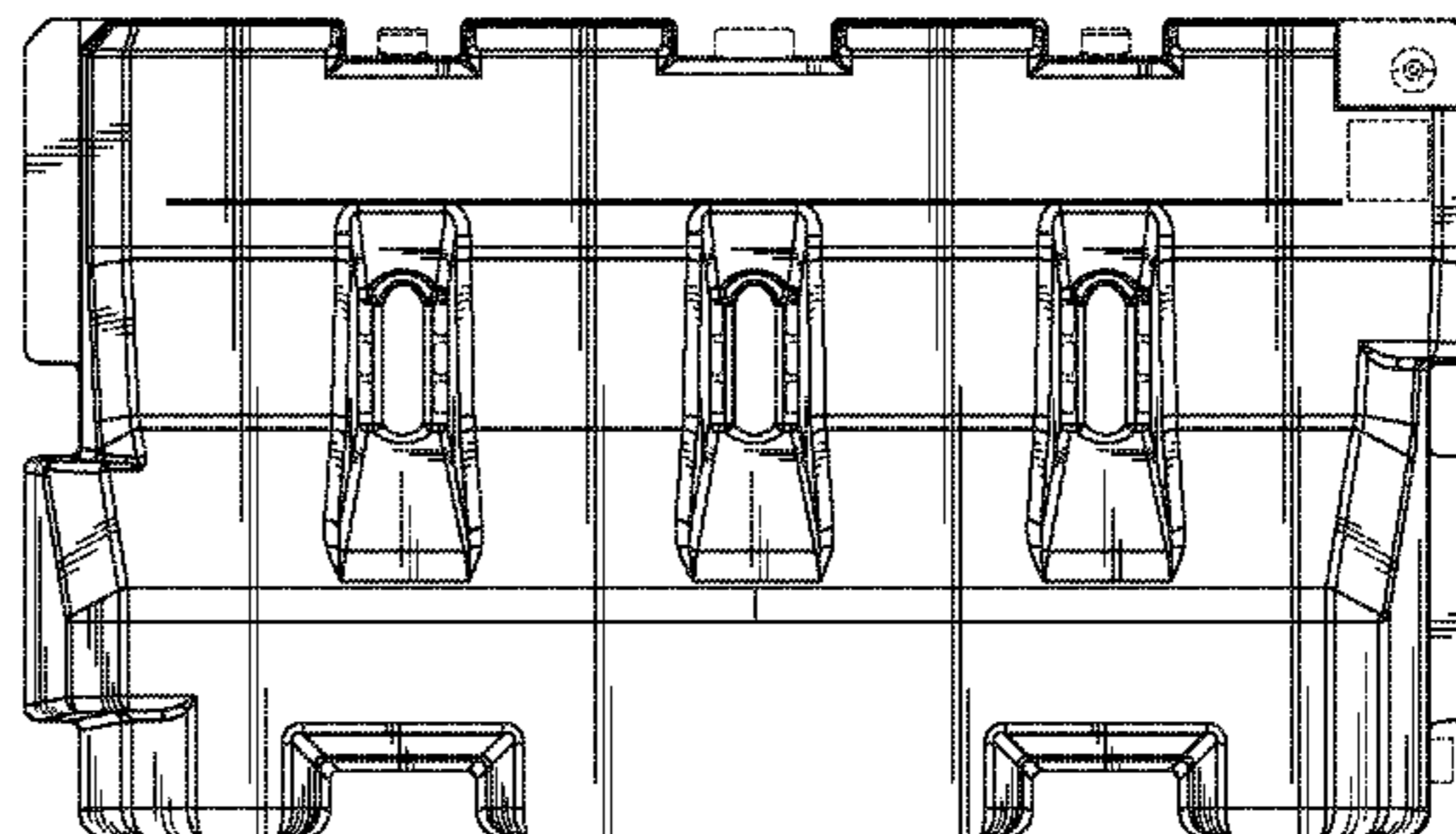
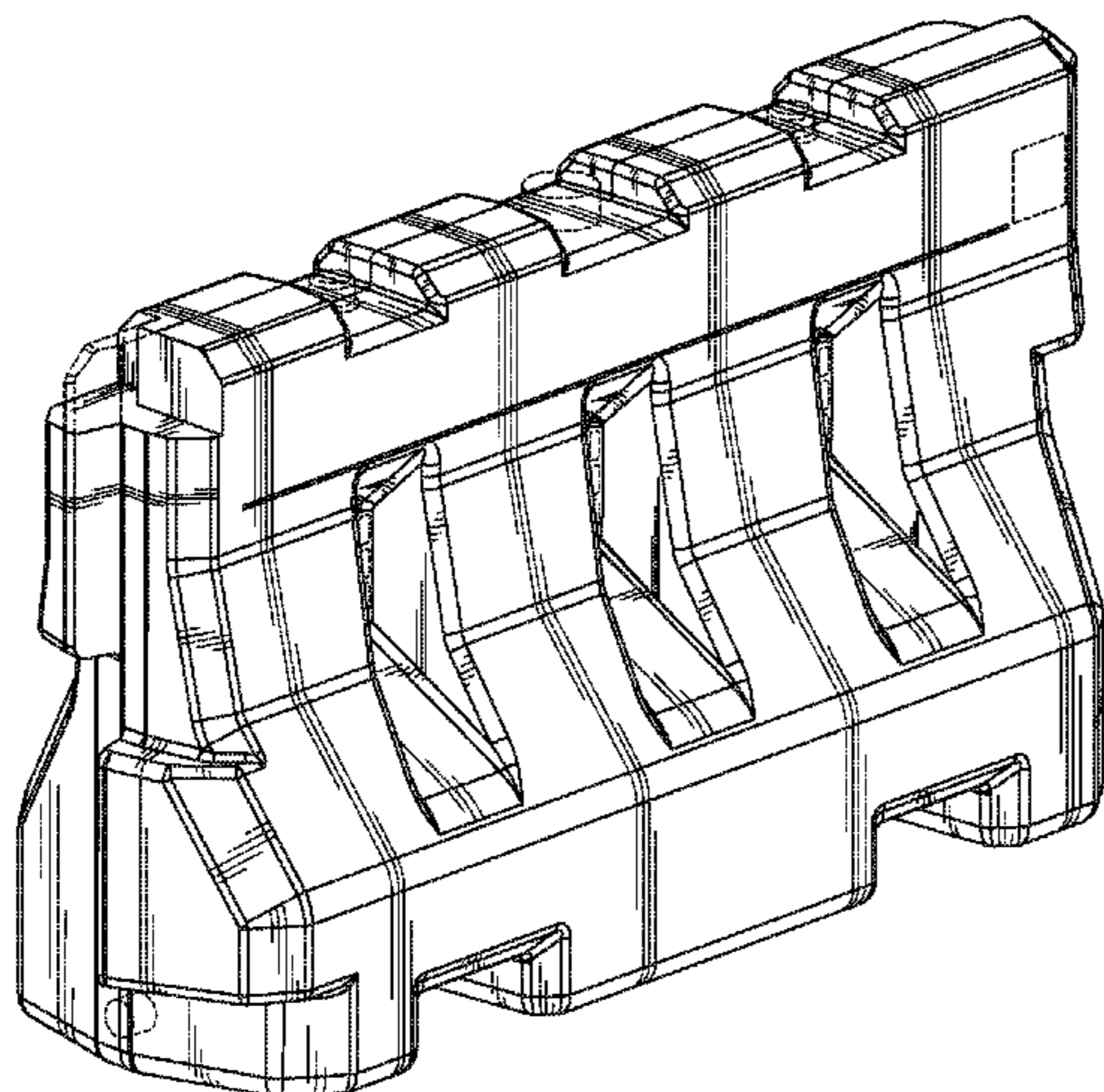
FIG. 6 is a rear elevational view thereof;

FIG. 7 is a right side elevational view thereof; and,

FIG. 8 is a bottom plan view thereof.

The broken lines illustrate part of the barricade that forms no part of the claimed design.

1 Claim, 4 Drawing Sheets



US D614,984 S

Page 2

U.S. PATENT DOCUMENTS

D431,657 S * 10/2000 Wasserstrom D25/113
6,164,865 A 12/2000 McCallum
D461,735 S * 8/2002 Brown D10/113
D462,126 S 8/2002 Englund
6,474,904 B1 11/2002 Duckett et al.
6,666,616 B2 12/2003 Yodock, III et al.
6,672,799 B2 1/2004 Earl
D497,823 S * 11/2004 Brown D10/109
D498,163 S * 11/2004 Brown D10/109
6,837,647 B2 1/2005 Tagg
6,843,614 B2 1/2005 Yodock, Jr. et al.
D512,931 S * 12/2005 Brown D10/113

D533,281 S 12/2006 Christensen et al.
7,303,353 B2 12/2007 Carey
D569,992 S 5/2008 Christensen et al.
D596,062 S * 7/2009 Yodock et al. D10/113

FOREIGN PATENT DOCUMENTS

EP 0 407 277 A2 1/1991
EP 0 442 249 A1 8/1991
EP 0 550 362 A1 7/1993
GB 2 219 332 A 12/1989
GB 2 237 832 A 5/1991
WO WO 2004/009909 A1 1/2004

* cited by examiner

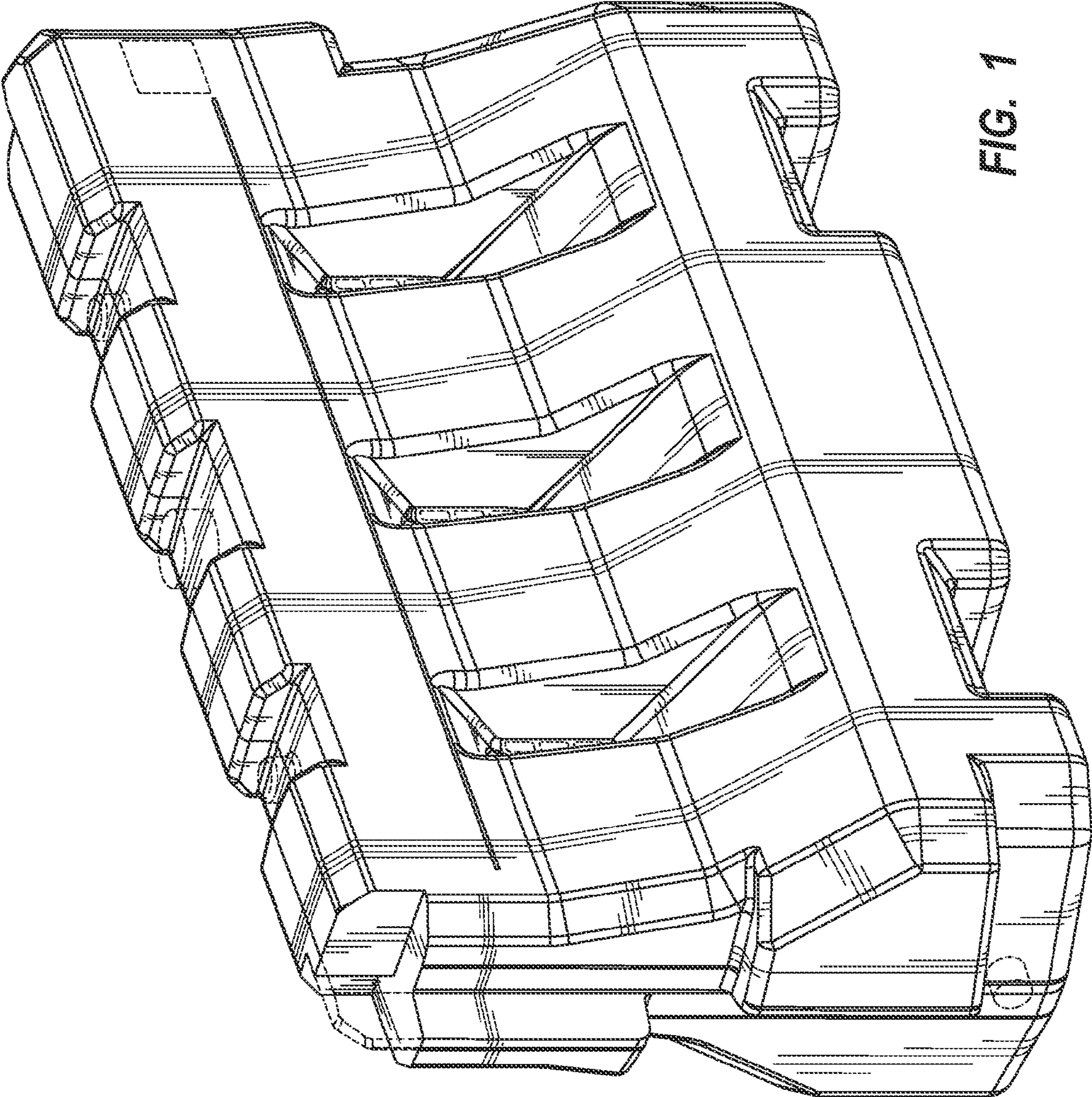


FIG. 1

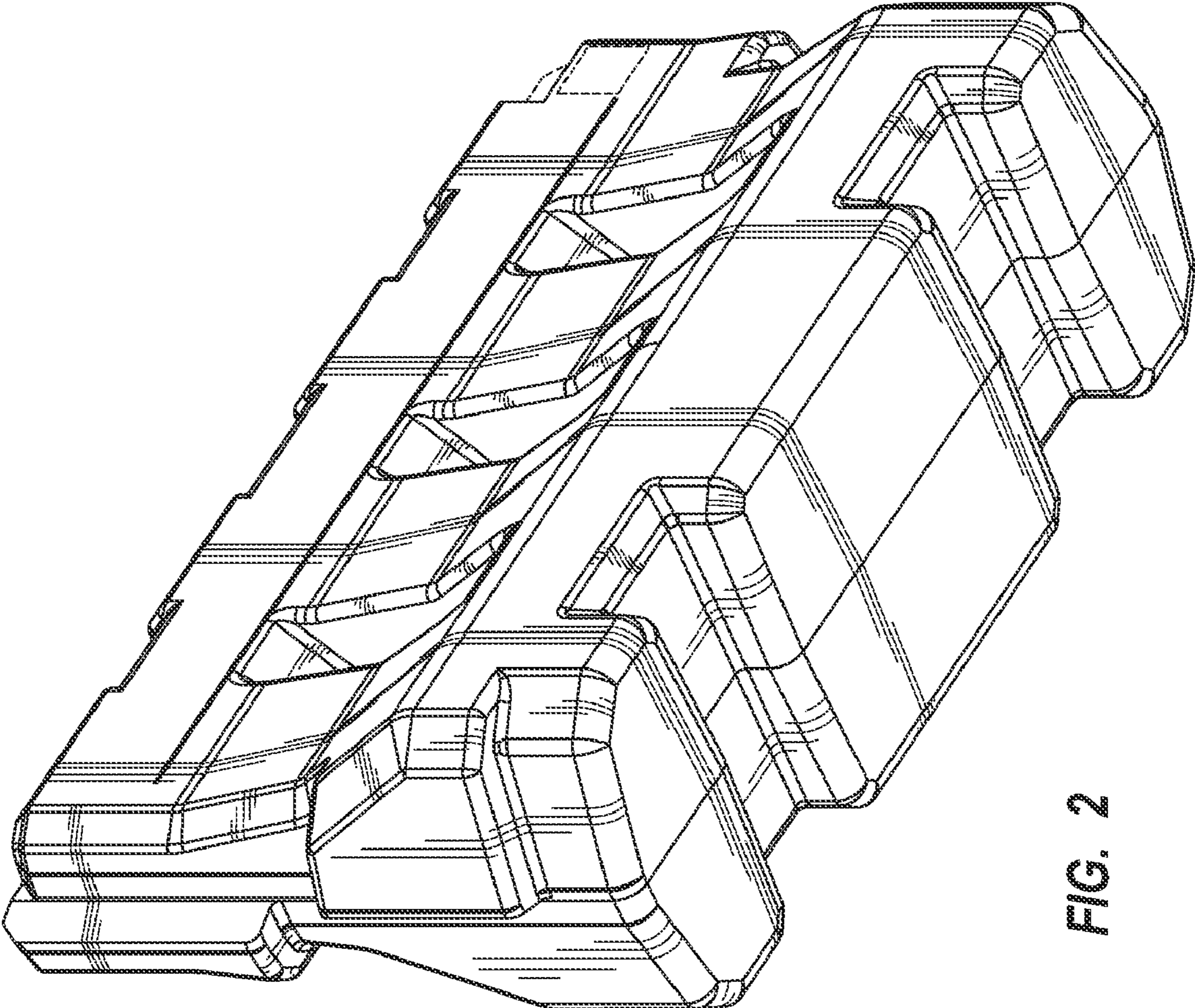


FIG. 2

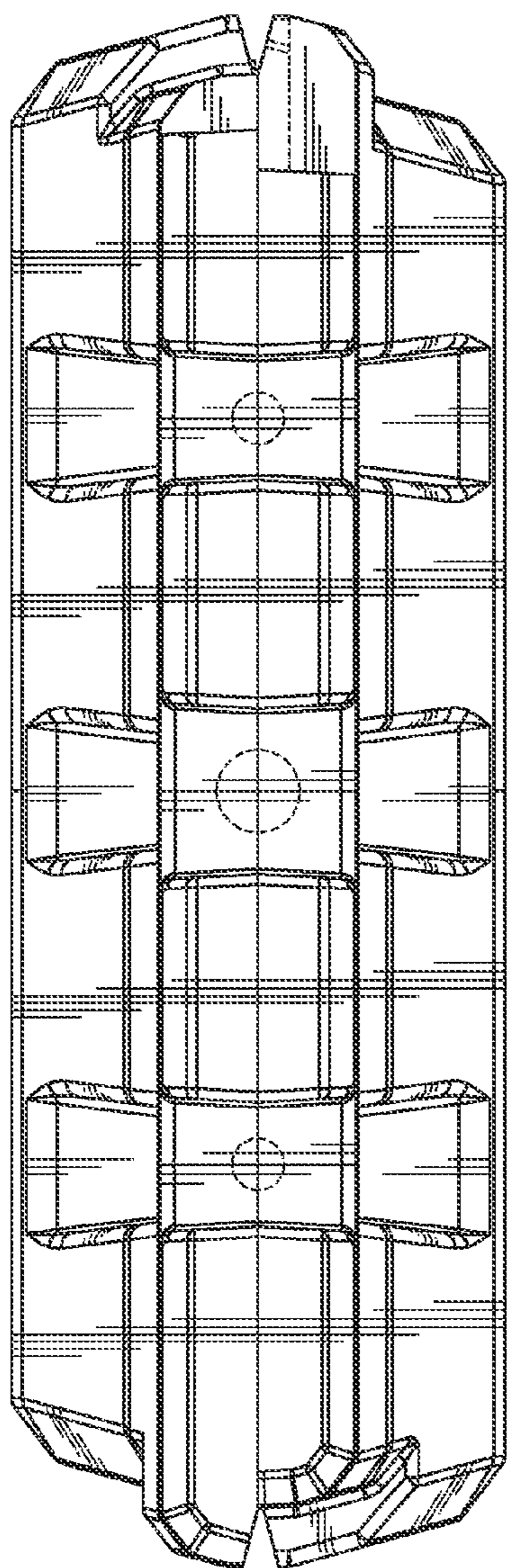


FIG. 5

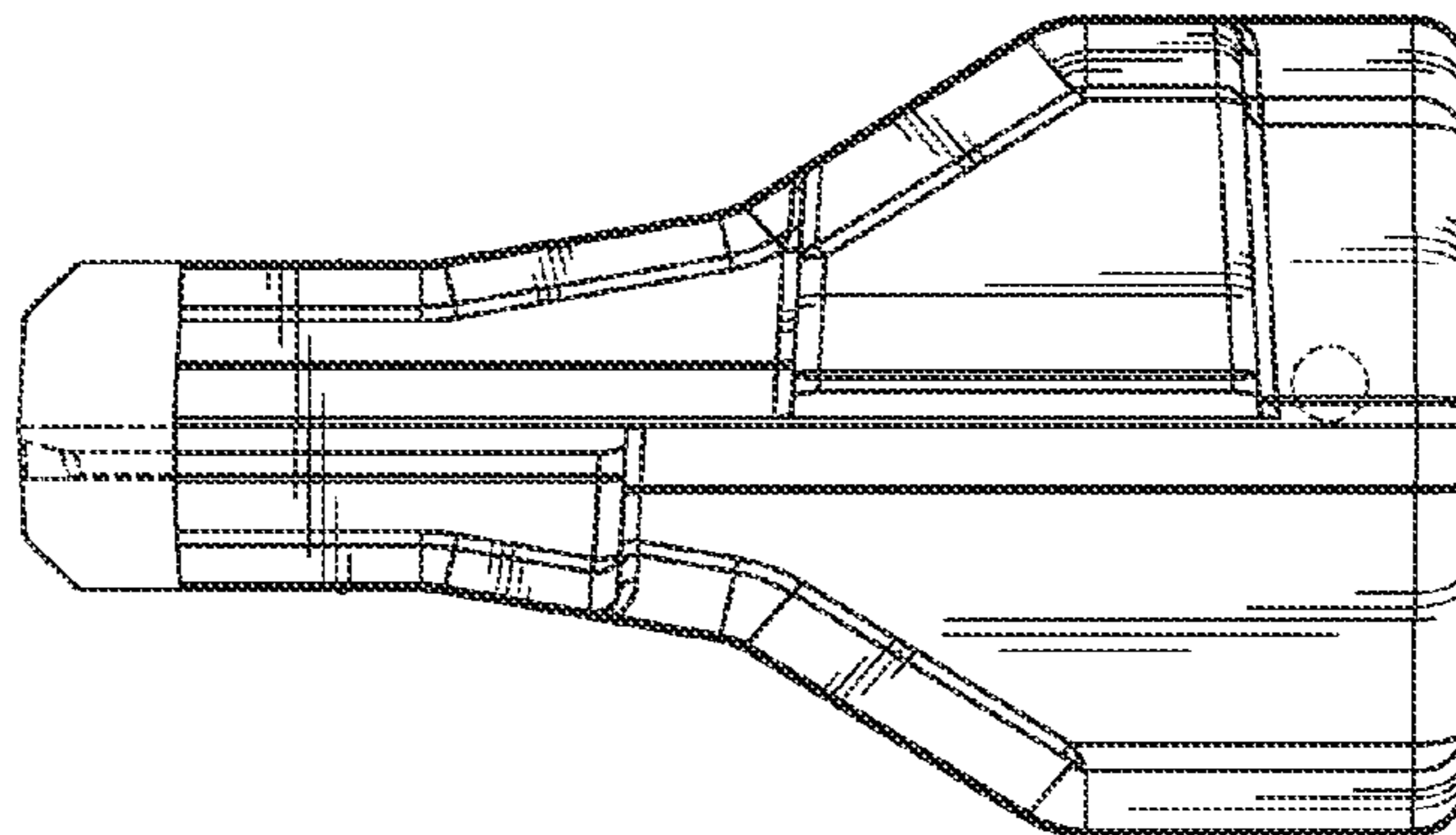


FIG. 4

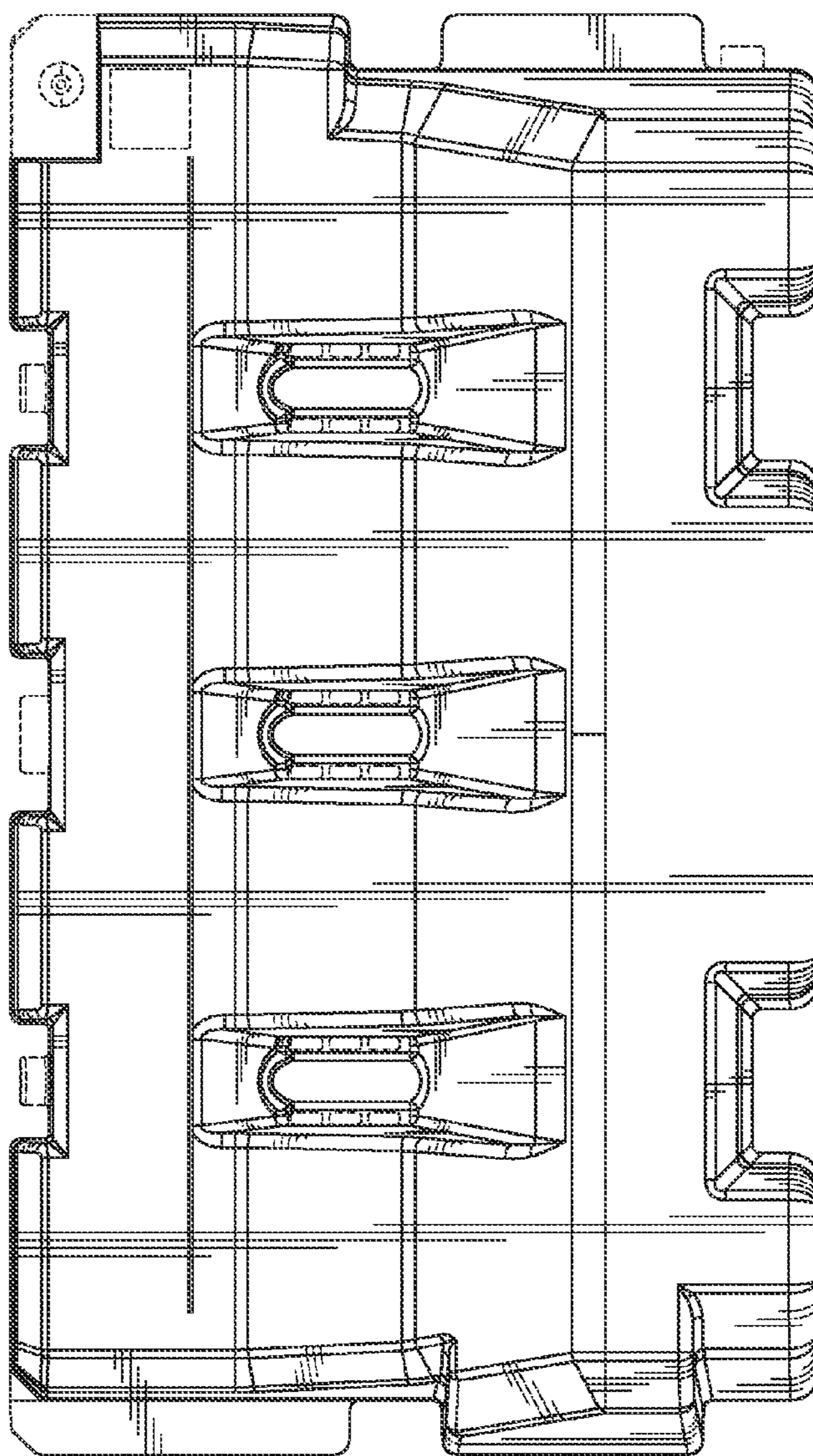


FIG. 3

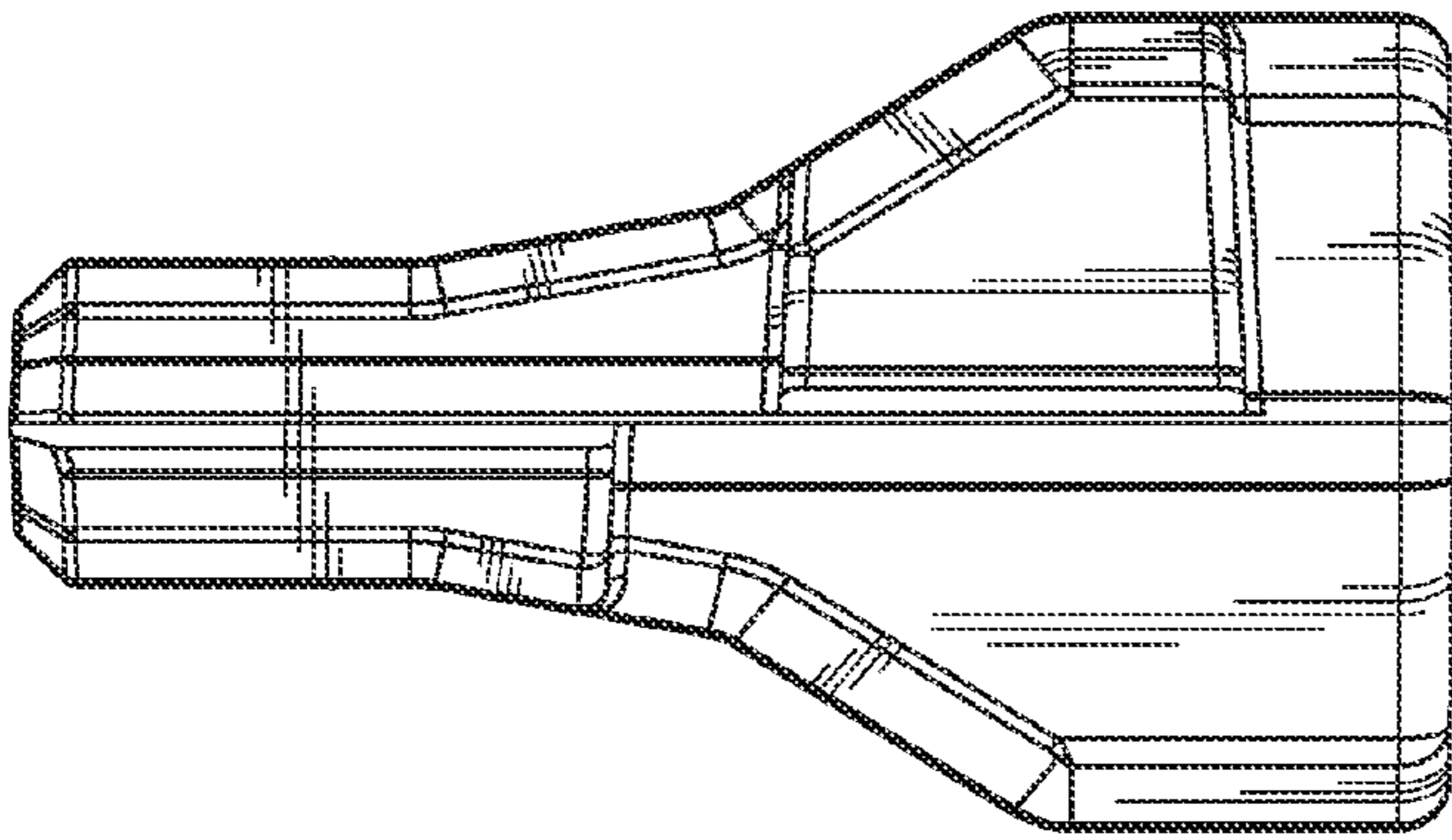


FIG. 7

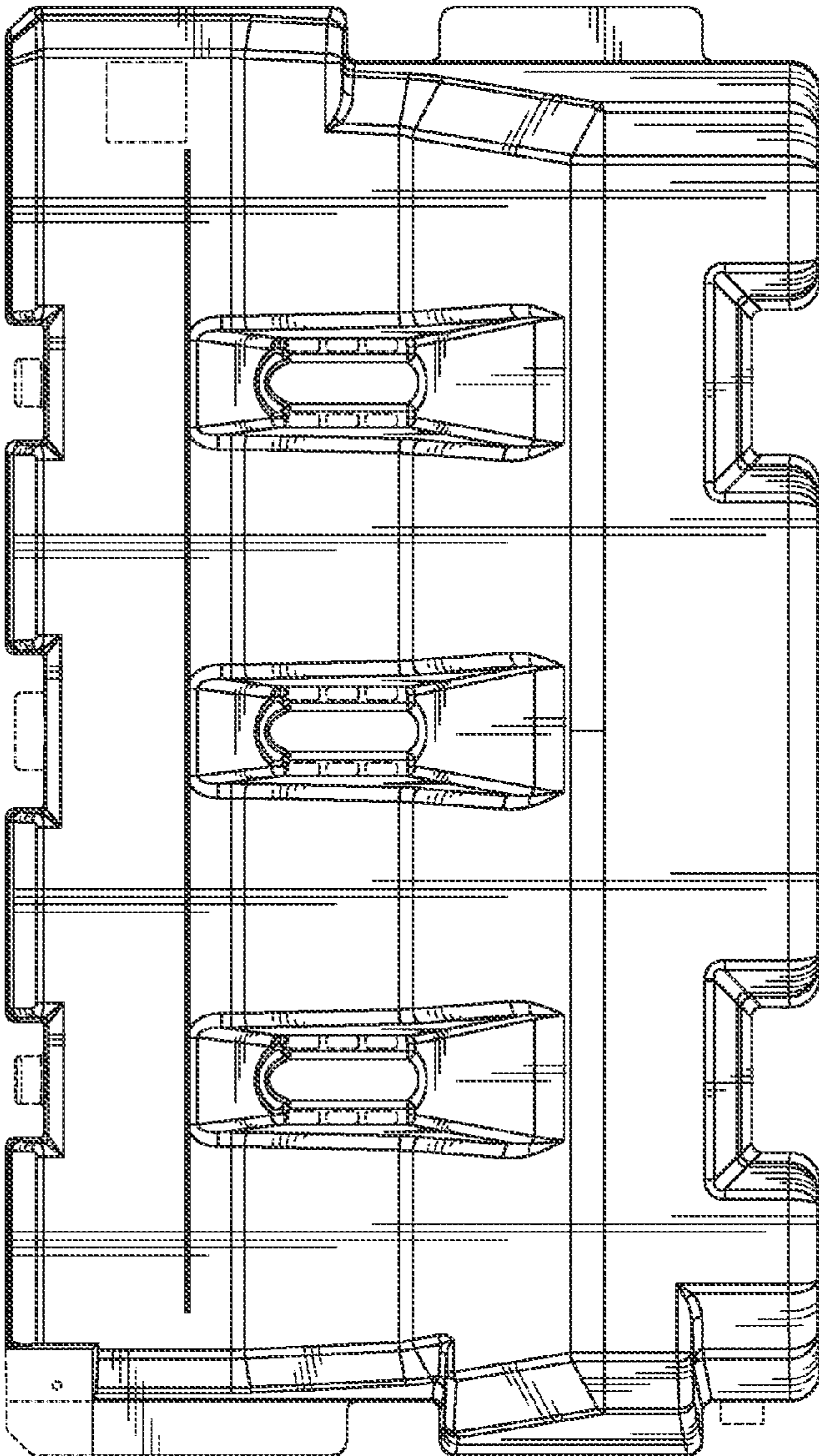


FIG. 6

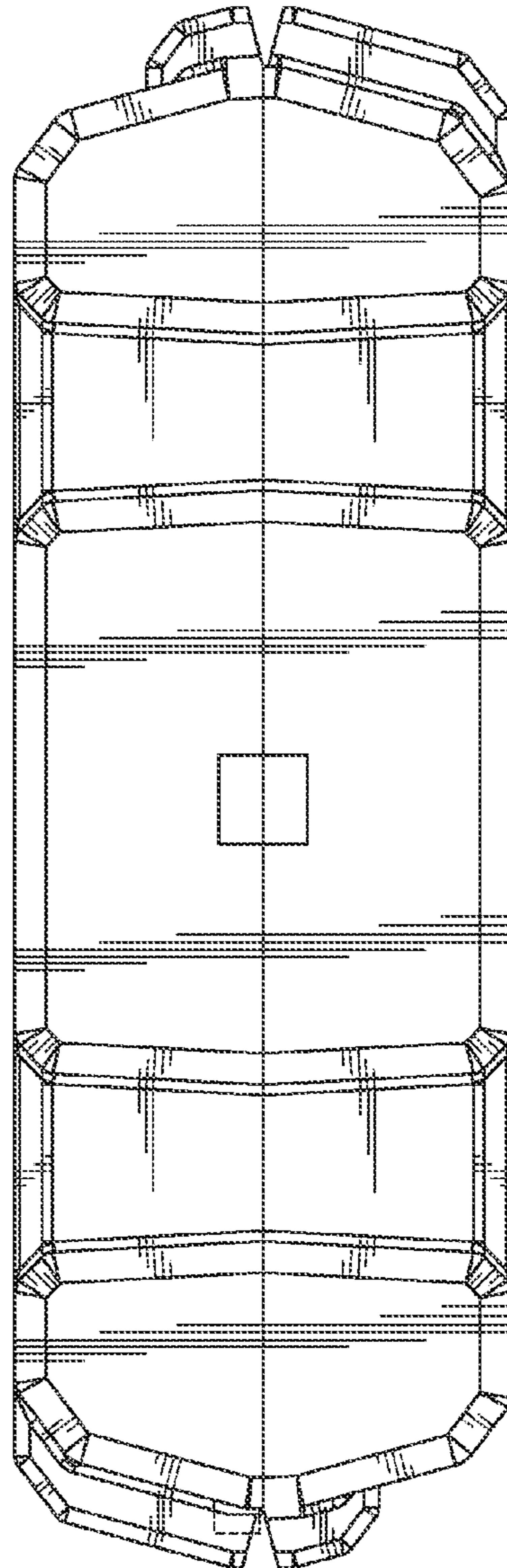


FIG. 8