



US00D614982S

(12) **United States Design Patent**  
**Au Yeung**

(10) **Patent No.:** **US D614,982 S**  
(45) **Date of Patent:** **\*\* May 4, 2010**

(54) **PEDOMETER**  
(75) **Inventor:** **Kwok Keung Au Yeung**, New Territories (HK)  
(73) **Assignee:** **Ariel Premium Supply, Inc.**, St. Louis, MO (US)  
(\*\*) **Term:** **14 Years**  
(21) **Appl. No.:** **29/341,662**  
(22) **Filed:** **Aug. 10, 2009**

D578,418 S 10/2008 Au Yeung  
D578,419 S 10/2008 Au Yeung  
D584,176 S \* 1/2009 Maruyama et al. .... D10/70  
D593,884 S \* 6/2009 Wang ..... D10/70  
D595,167 S 6/2009 Au Yeung  
D595,168 S 6/2009 Au Yeung  
D595,169 S 6/2009 Au Yeung  
D597,425 S \* 8/2009 Au Yeung ..... D10/70  
D597,875 S \* 8/2009 Au Yeung ..... D10/70  
2004/0140348 A1 \* 7/2004 Fromm ..... 235/105  
2008/0025456 A1 \* 1/2008 Sandy ..... 377/24

\* cited by examiner

*Primary Examiner*—Antoine D Davis

(74) *Attorney, Agent, or Firm*—Intellectual Property Law Group LLP; Juneko Jackson; Otto O. Lee

(51) **LOC (9) Cl.** ..... **10-04**  
(52) **U.S. Cl.** ..... **D10/70**  
(58) **Field of Classification Search** ..... D10/70;  
235/95 C, 105; 377/5, 24.2, 26; 702/155,  
702/160, 176, 78, 79, 82, 91–95, 104, 116,  
702/141, 150, 151, 154; 73/514.33, 514.34;  
324/522

See application file for complete search history.

(57) **CLAIM**

The ornamental design for a pedometer, as shown and described.

**DESCRIPTION**

FIG. 1 is a top perspective view of a pedometer having a translucent casing, embodying my new design;

FIG. 2 is a bottom perspective view thereof;

FIG. 3 is a top plan view thereof;

FIG. 4 is a bottom plan view thereof;

FIG. 5 is a rear view thereof;

FIG. 6 is a front view thereof;

FIG. 7 is a left side elevational view thereof;

FIG. 8 is a right side elevational view thereof; and,

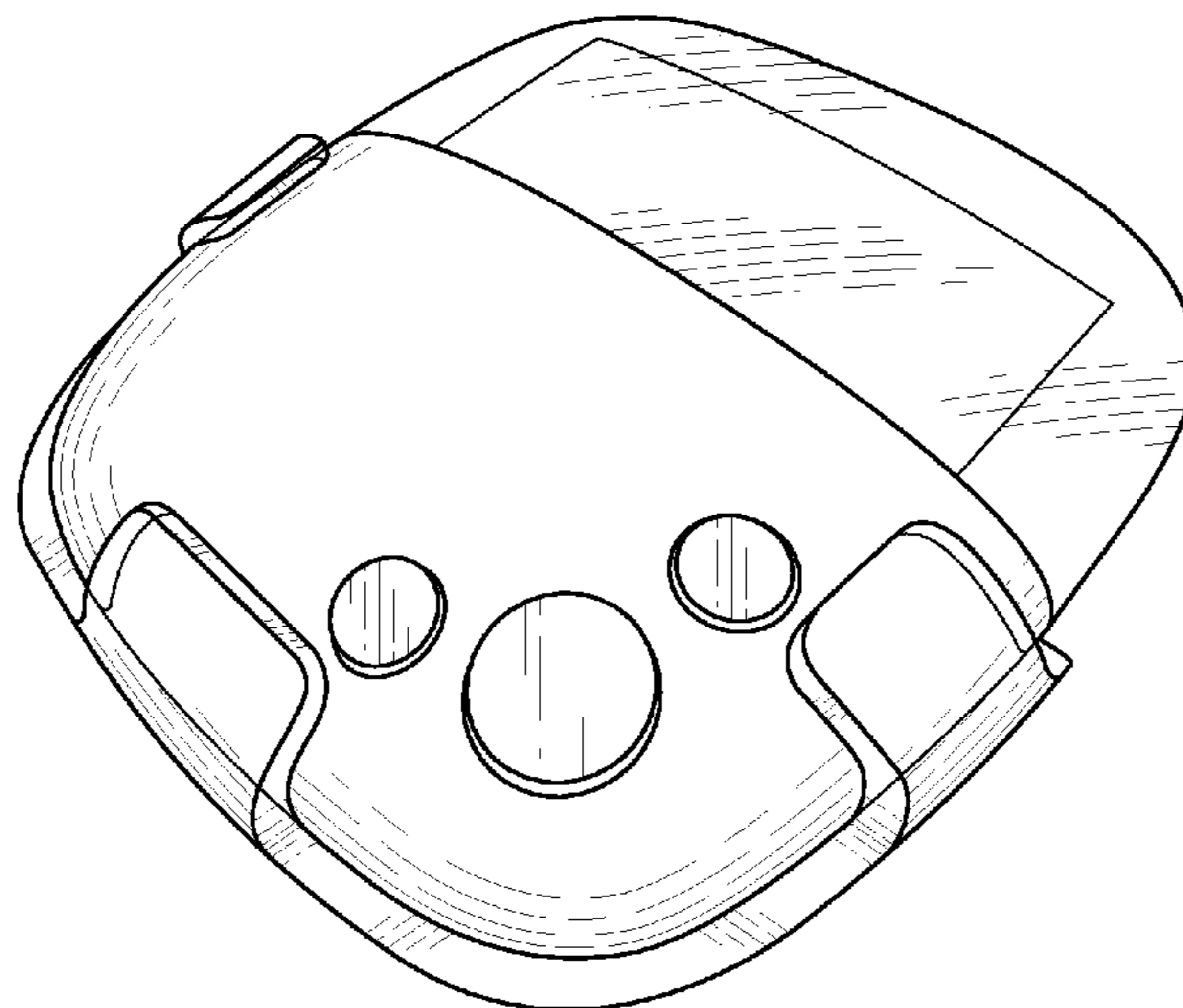
FIG. 9 is a top perspective view of the pedometer shown disengaged from the translucent casing.

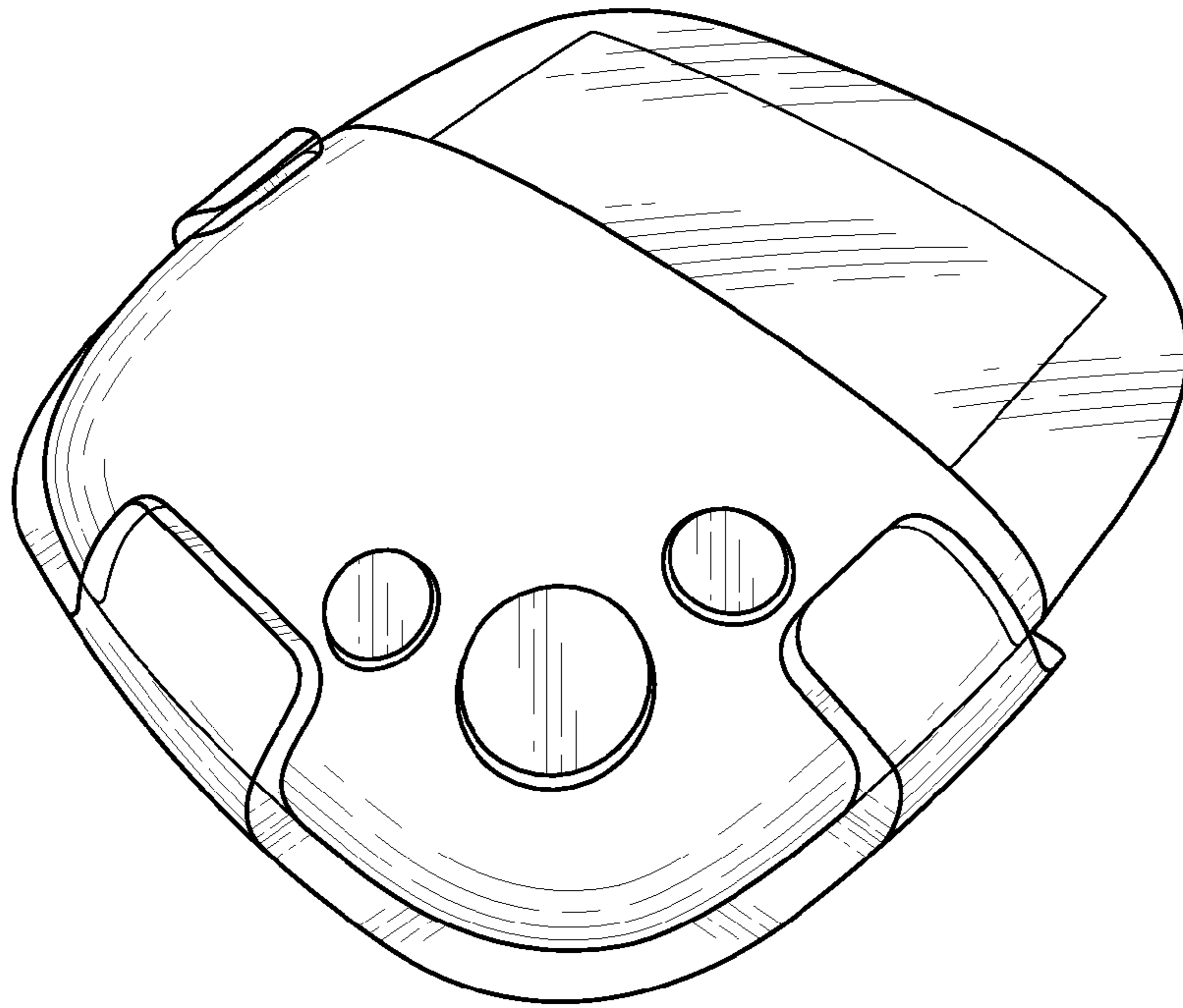
**1 Claim, 5 Drawing Sheets**

(56) **References Cited**

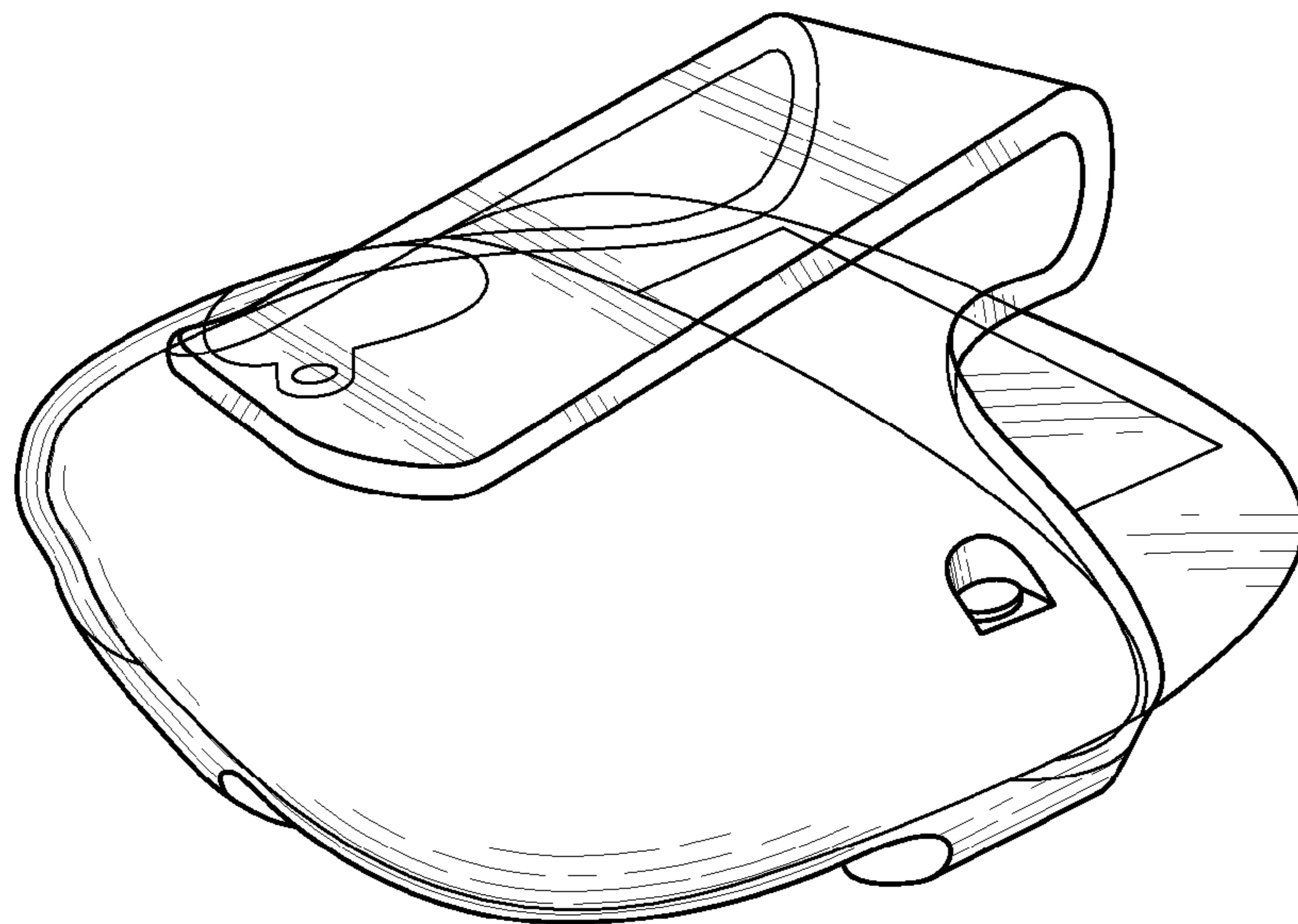
**U.S. PATENT DOCUMENTS**

D312,046 S 11/1990 Ruehleemann  
D312,049 S 11/1990 Ruehleemann  
D502,654 S \* 3/2005 Nishiura et al. .... D10/70  
D504,627 S 5/2005 Harju  
D525,889 S 8/2006 Oas  
D528,024 S 9/2006 Bhavnani  
D528,445 S 9/2006 Au Yeung  
D531,072 S 10/2006 Au Yeung  
D543,877 S 6/2007 Bhavnani  
D545,700 S 7/2007 Man  
D555,018 S 11/2007 Au Yeung  
D555,019 S 11/2007 Au Yeung  
D573,490 S 7/2008 Au Yeung  
D578,417 S 10/2008 Au Yeung

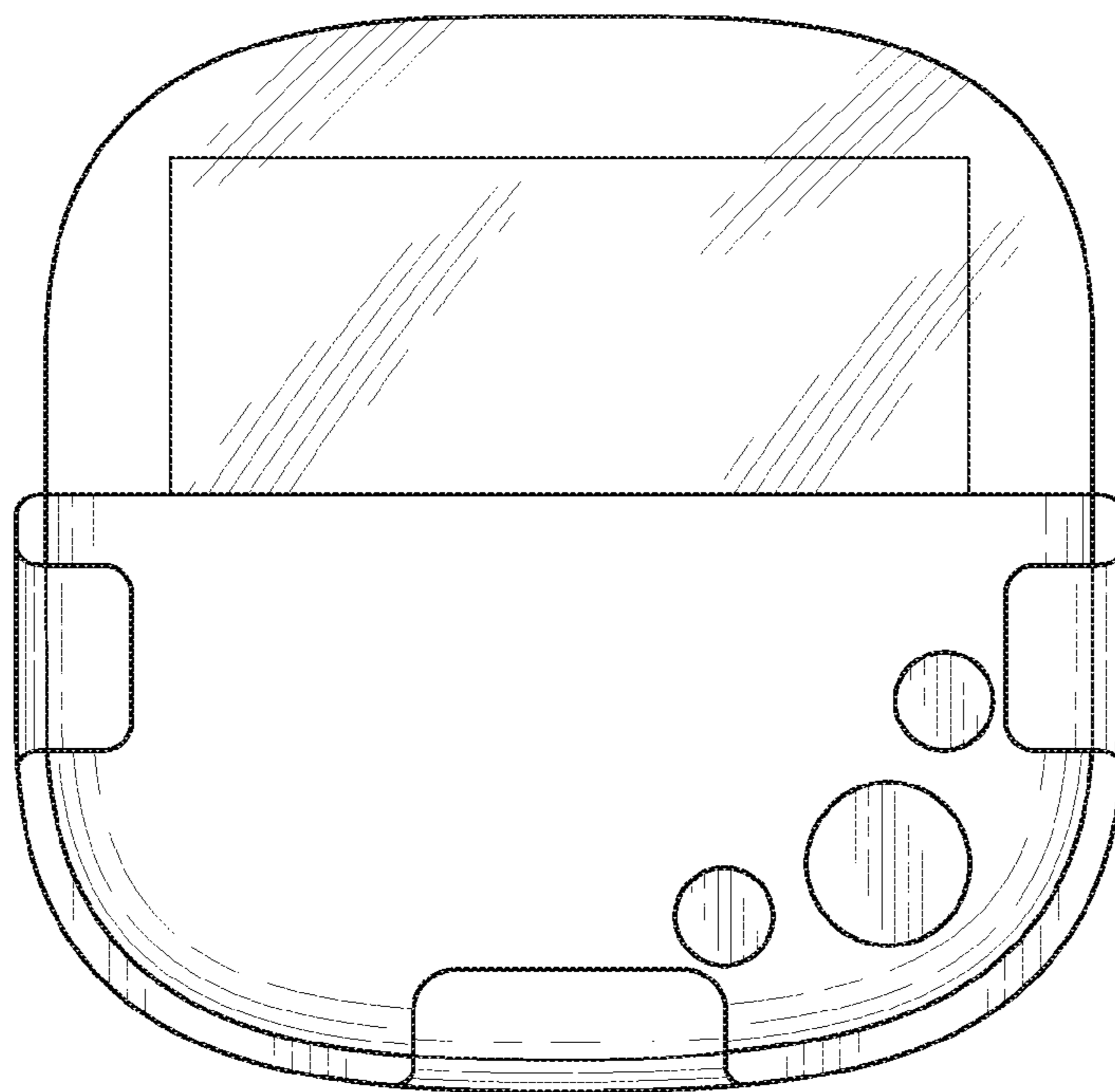




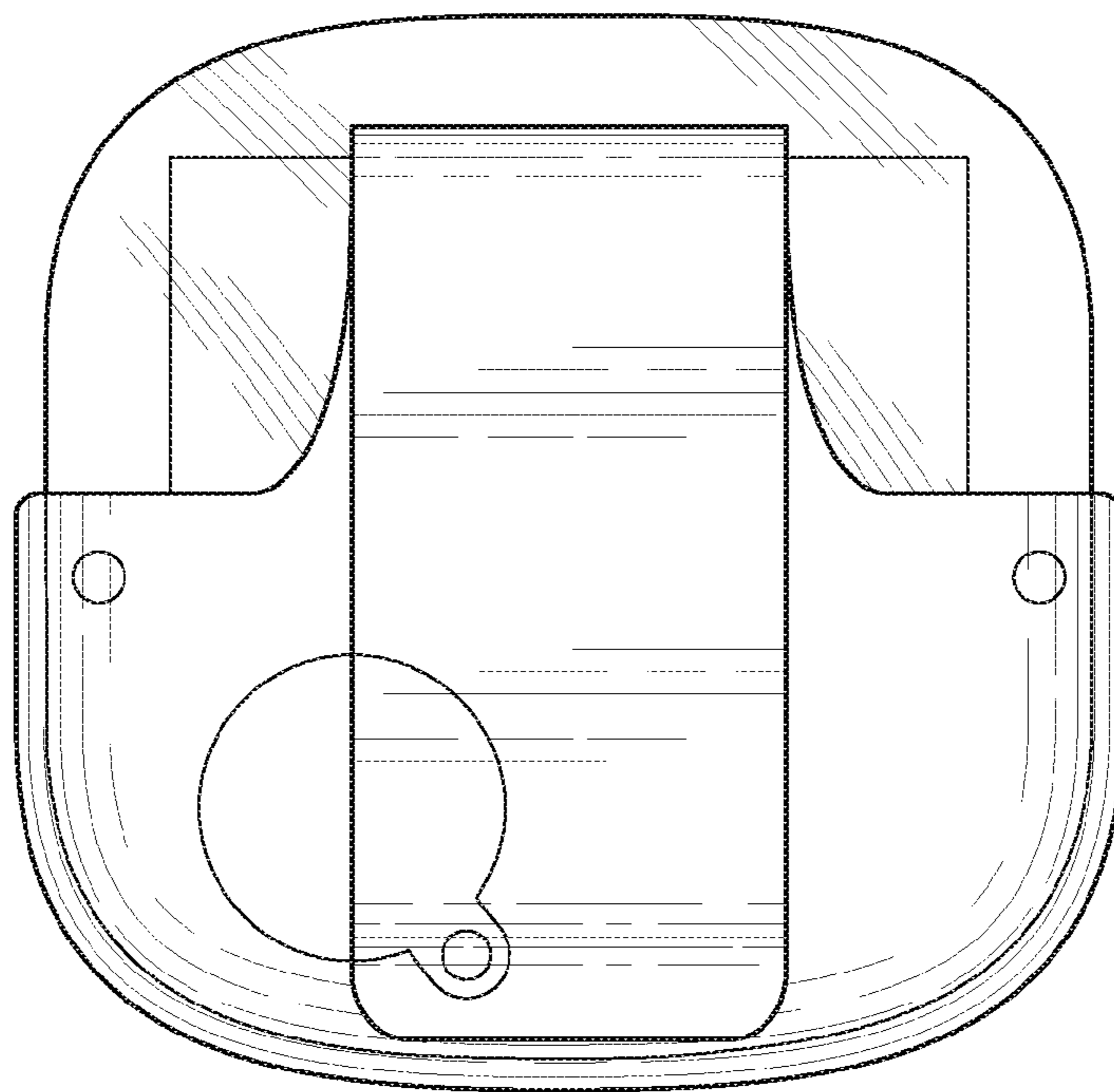
**FIG. 1**



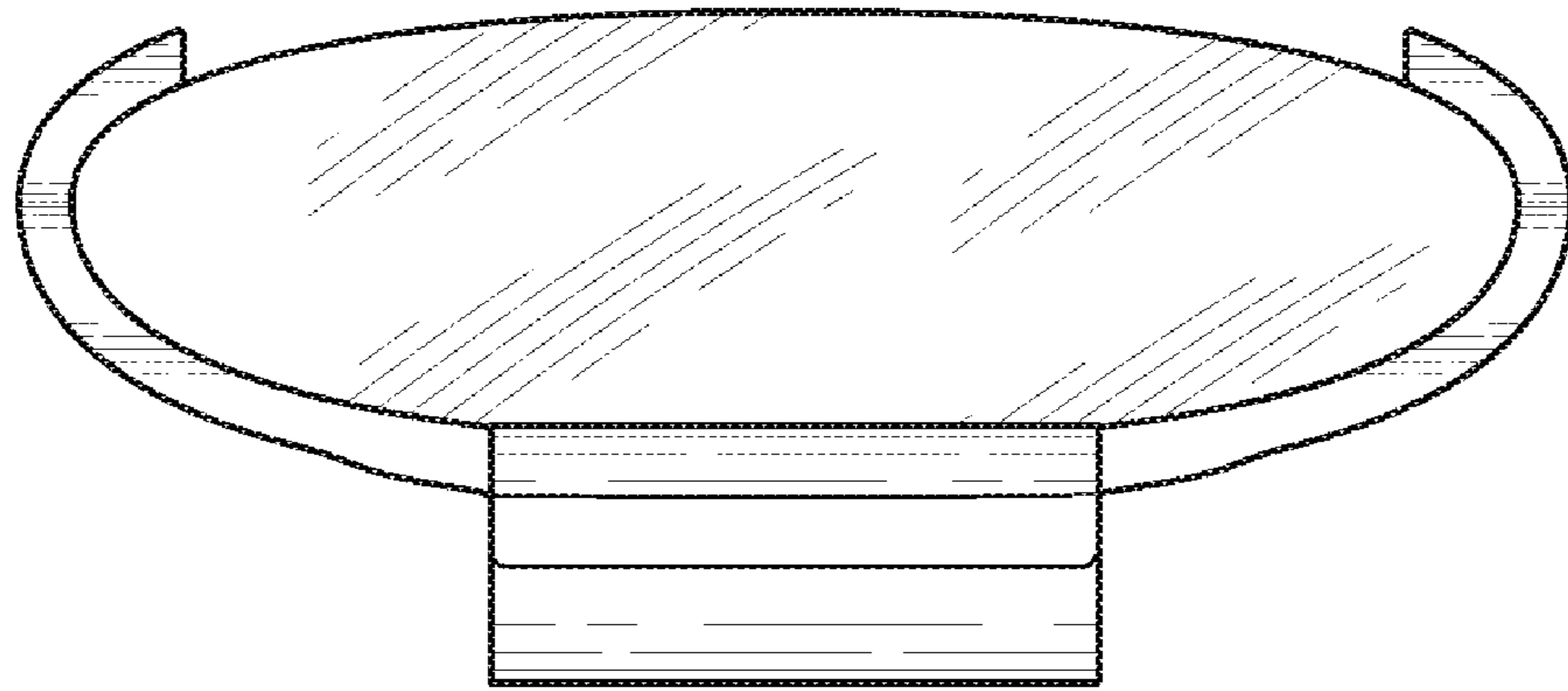
**FIG. 2**



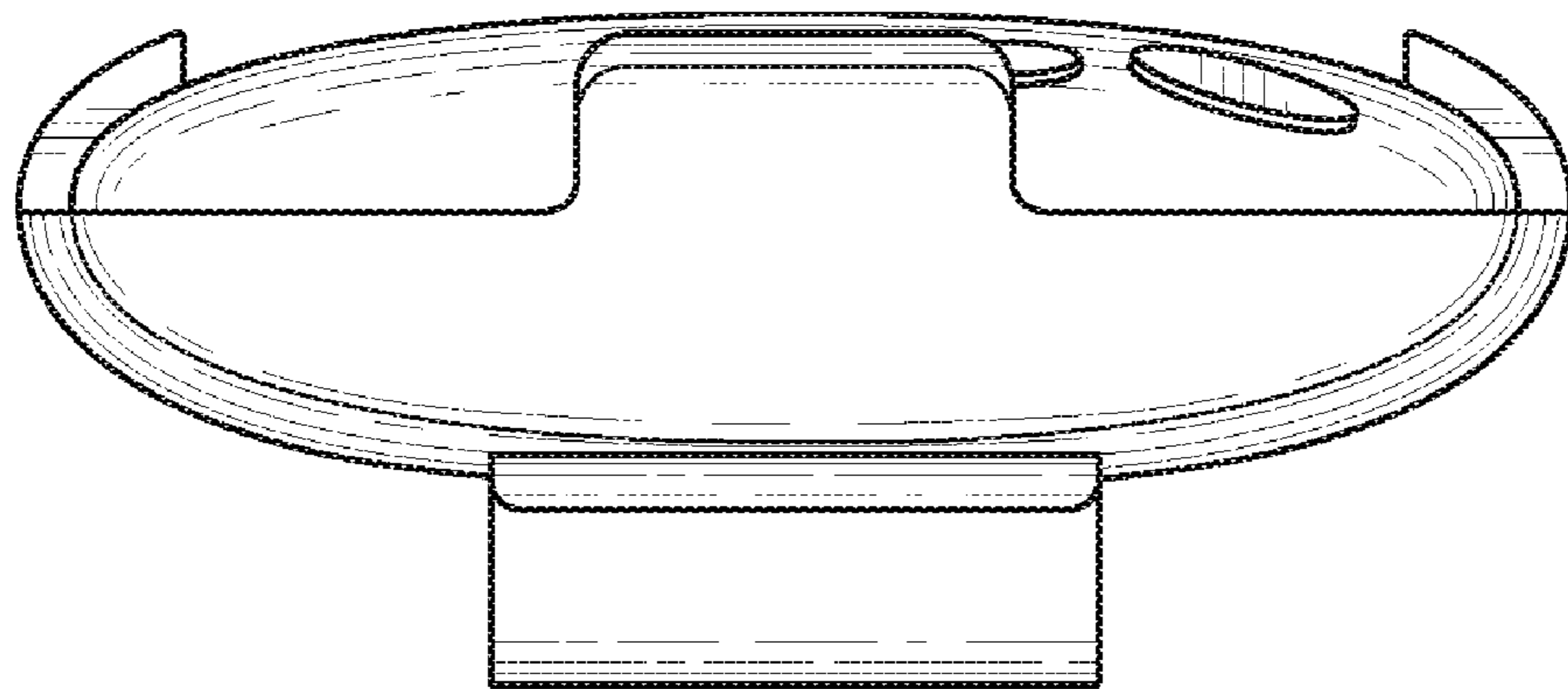
**FIG. 3**



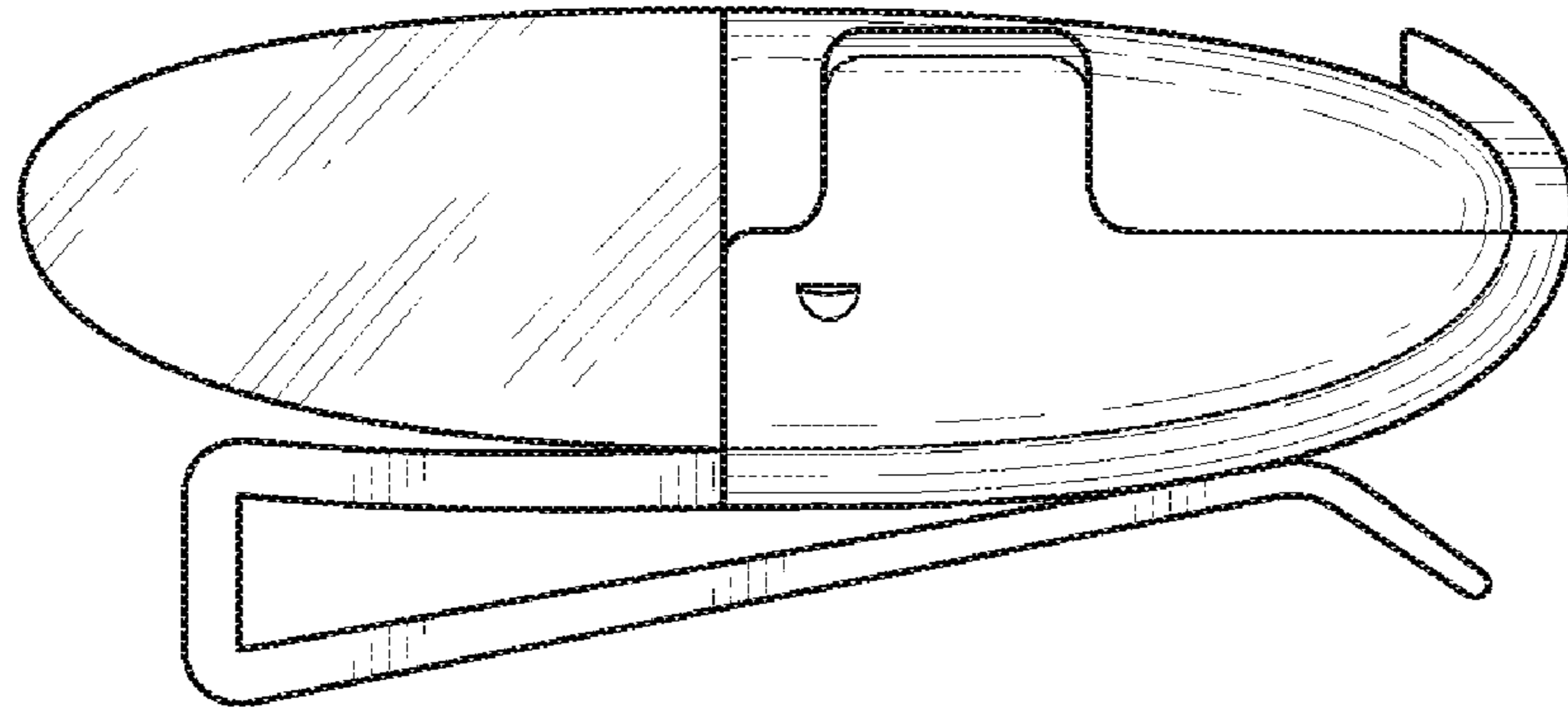
**FIG. 4**



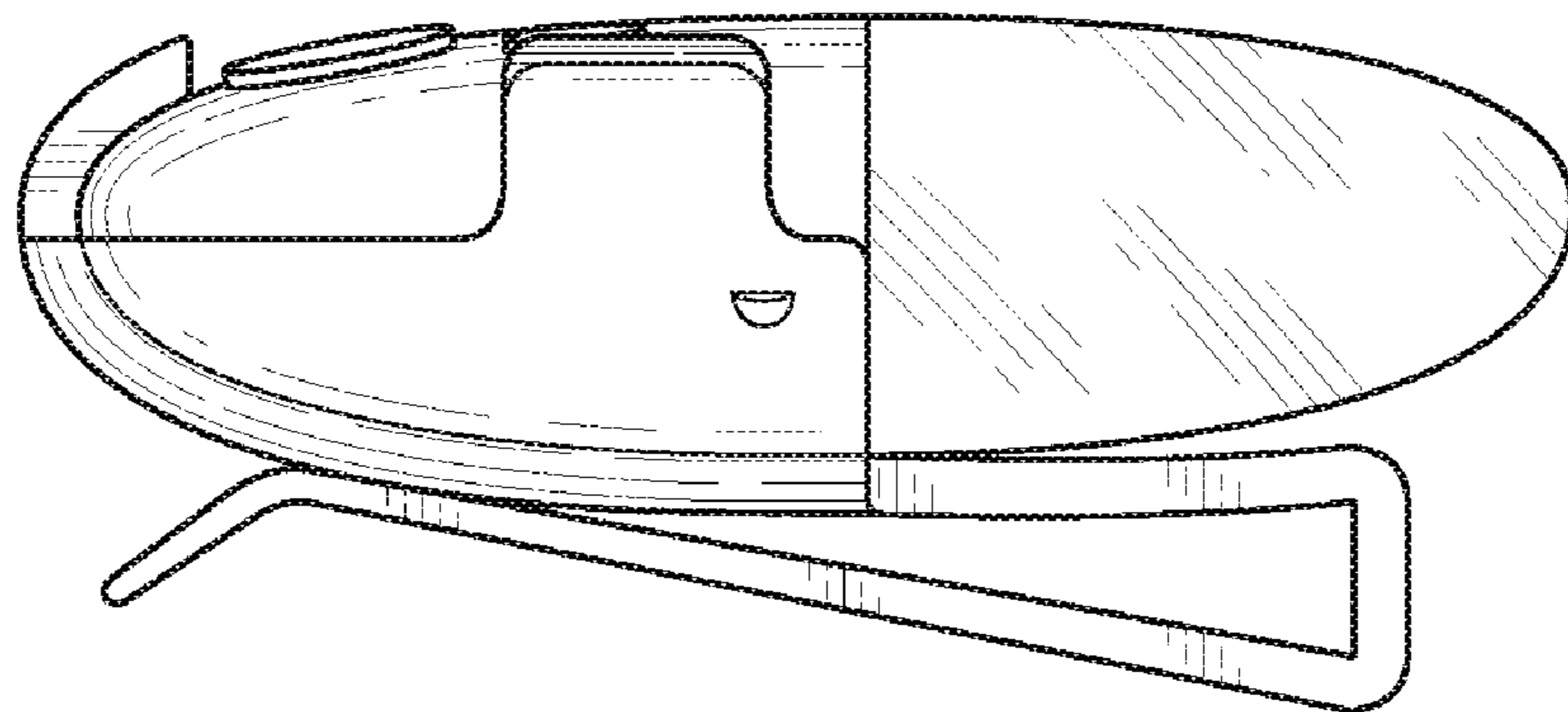
**FIG. 5**



**FIG. 6**



**FIG. 7**



**FIG. 8**

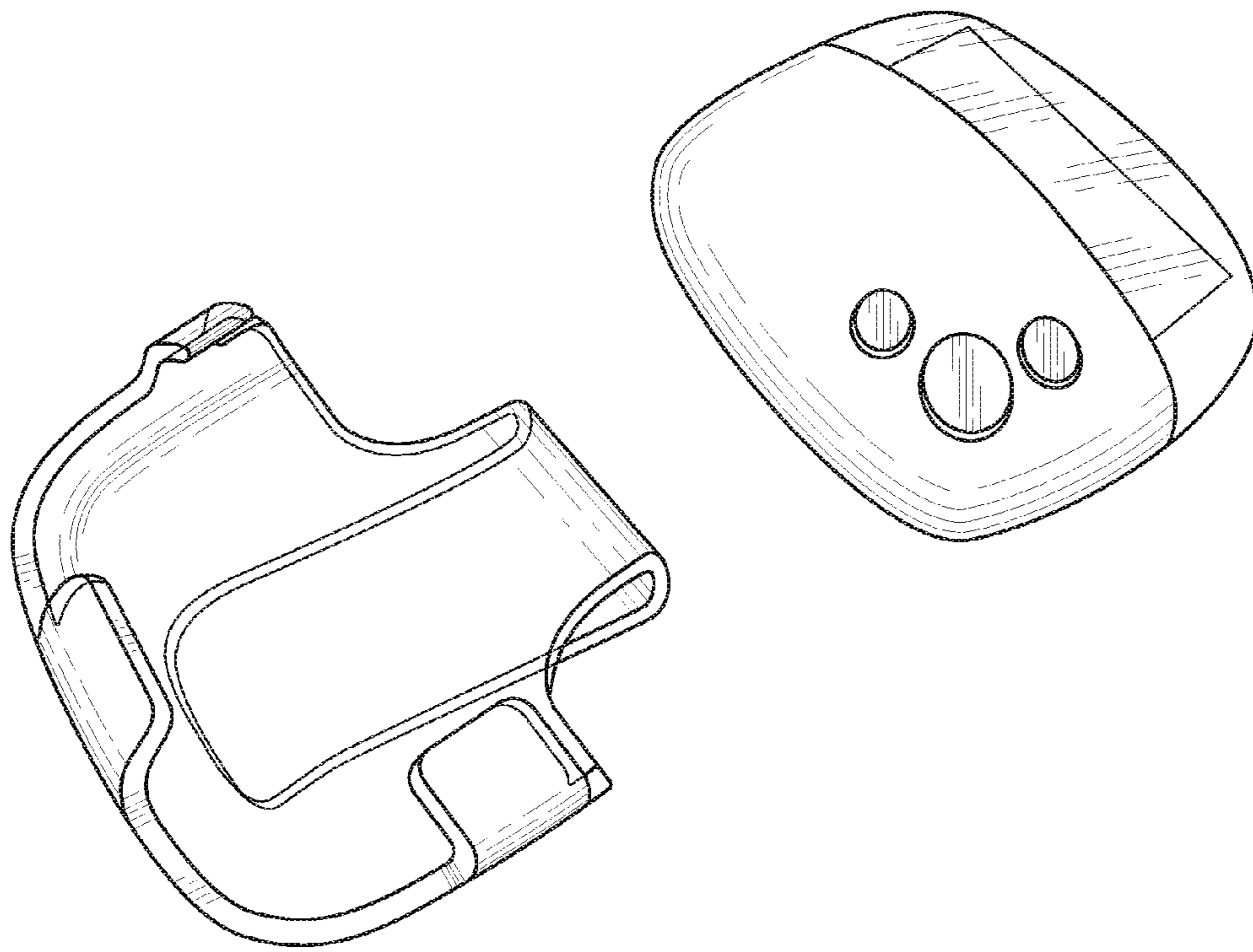


FIG. 9