



US00D614979S

(12) **United States Design Patent**  
**McNames et al.**

(10) **Patent No.:** **US D614,979 S**

(45) **Date of Patent:** **\*\* May 4, 2010**

(54) **PERSONAL INERTIAL MONITOR**

(75) Inventors: **James McNames**, Portland, OR (US);  
**Pedro Mateo Riobo Aboy**, Beaverton,  
OR (US); **Andrew Greenberg**, Portland,  
OR (US); **Stephen Dylan Berry**,  
Beaverton, OR (US)

(73) Assignee: **APDM, Inc**, Portland, OR (US)

(\*\*) Term: **14 Years**

(21) Appl. No.: **29/339,731**

(22) Filed: **Jul. 7, 2009**

(51) **LOC (9) Cl.** ..... **10-04**

(52) **U.S. Cl.** ..... **D10/65; D10/70**

(58) **Field of Classification Search** ..... D10/65,  
D10/70; 73/865.9; 281/51; 283/72, 85;  
340/3.3, 5.92, 540

See application file for complete search history.

(56) **References Cited**

**U.S. PATENT DOCUMENTS**

7,408,460 B2 \* 8/2008 Crystal et al. .... 340/540

D584,176 S \* 1/2009 Maruyama et al. .... D10/70

7,598,860 B2 \* 10/2009 Niemi ..... 340/540

\* cited by examiner

*Primary Examiner*—Antoine D Davis

(74) *Attorney, Agent, or Firm*—Mateo Aboy; Aboy &  
Associates, PC

(57) **CLAIM**

We claim the ornamental design for a personal inertial moni-  
tor, as shown and described.

**DESCRIPTION**

FIG. 1 is a perspective view of a personal inertial monitor  
showing our new design;

FIG. 2 is a perspective view thereof;

FIG. 3 is a front side view thereof;

FIG. 4 is a rear side view thereof;

FIG. 5 is a right side view thereof;

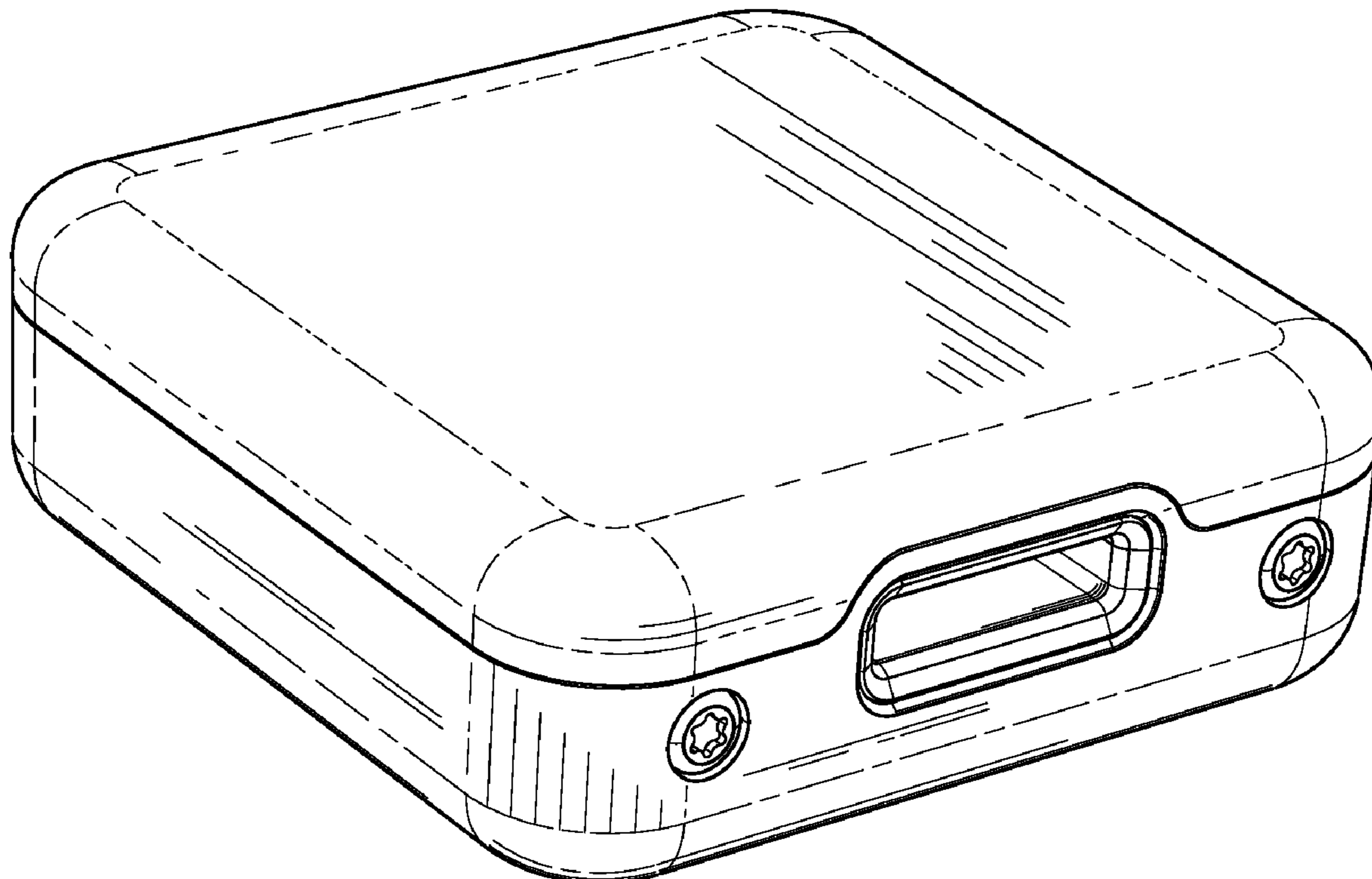
FIG. 6 is a left side view thereof;

FIG. 7 is a top view thereof; and,

FIG. 8 is a bottom view thereof.

Broken lines are for illustrative purpose only and form no part  
of the claimed design. None of the broken lines form part of  
the claimed design.

**1 Claim, 6 Drawing Sheets**



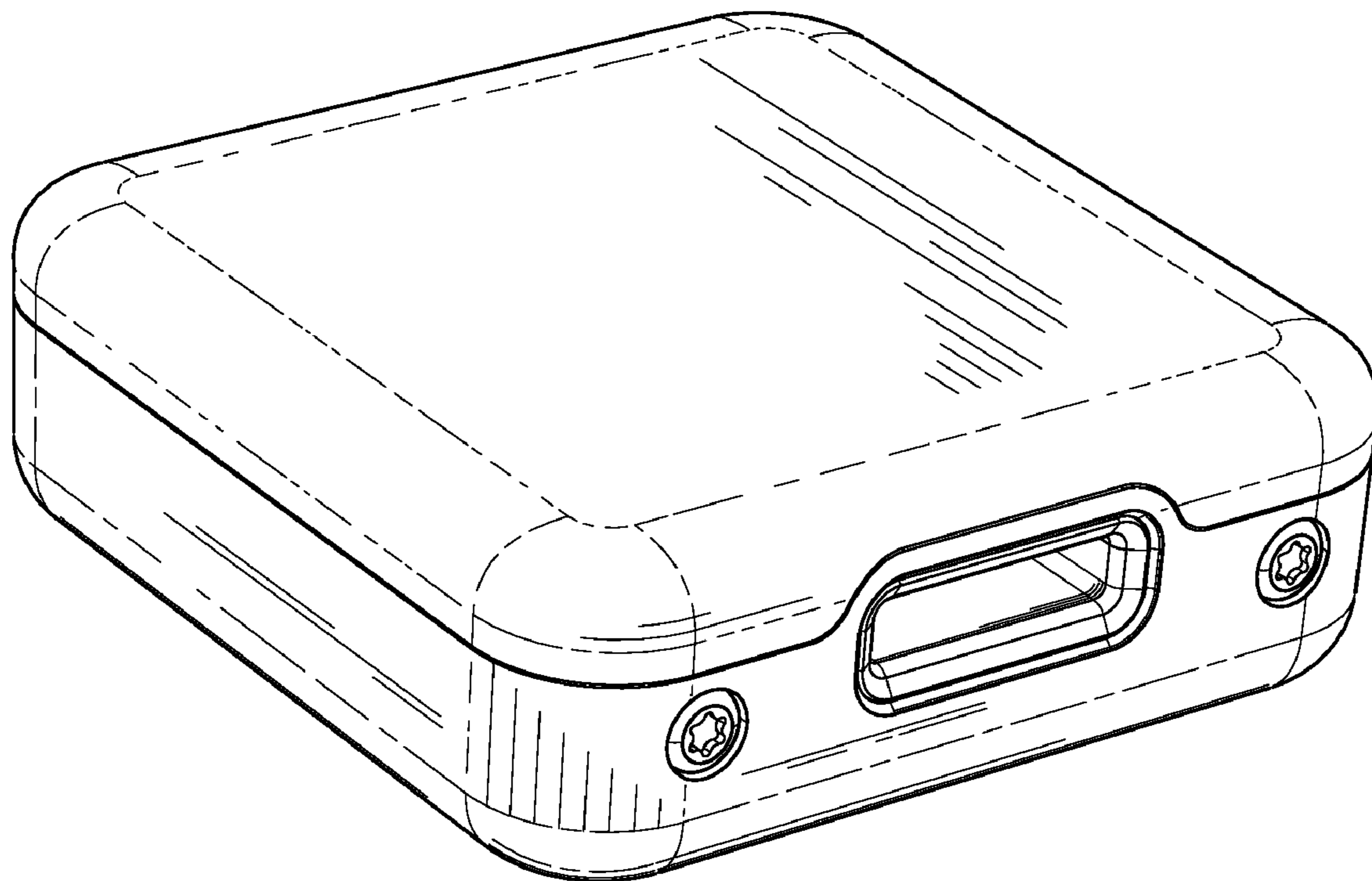


FIG.1

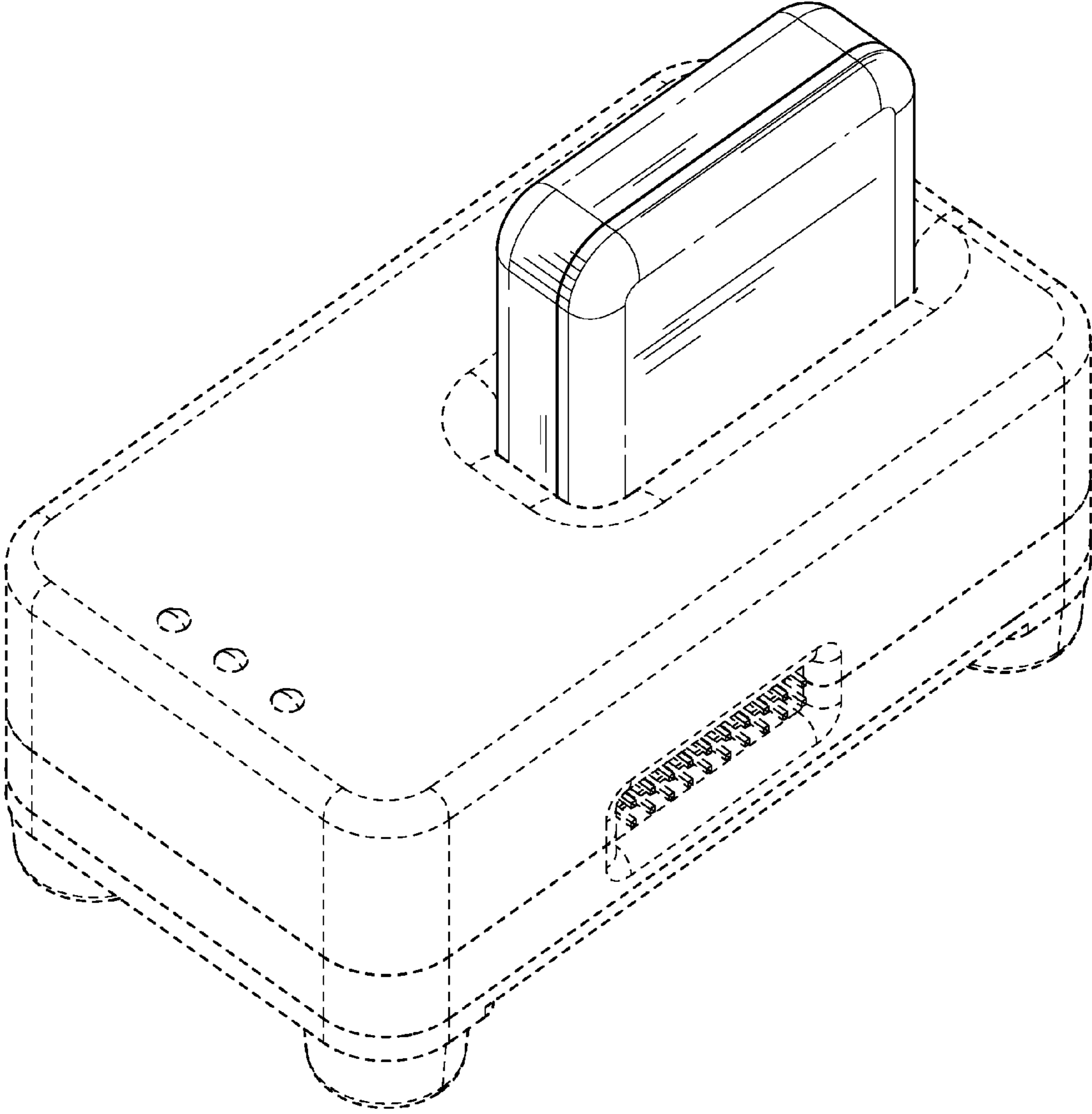


FIG.2

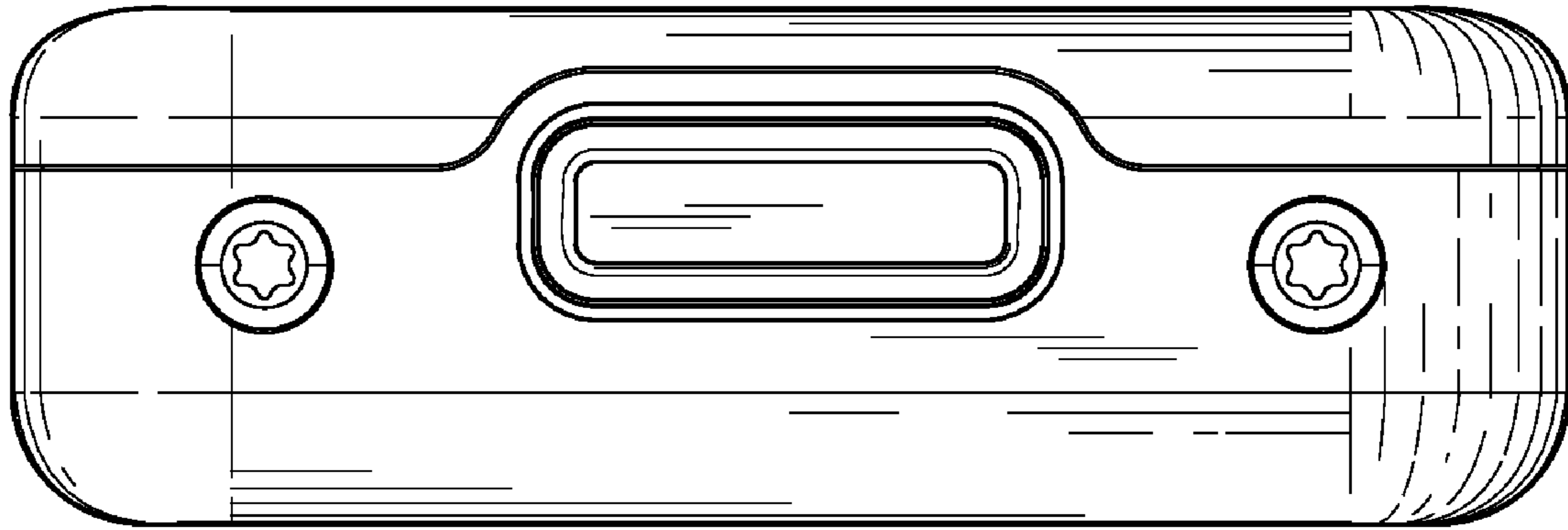


FIG.3

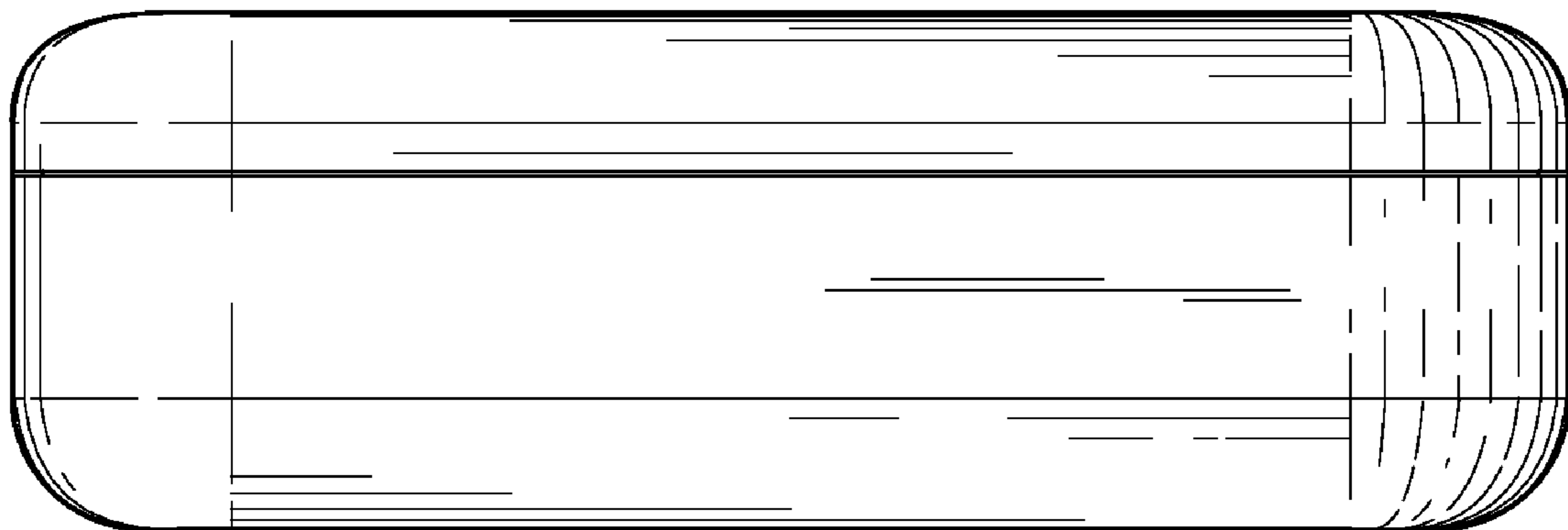


FIG.4

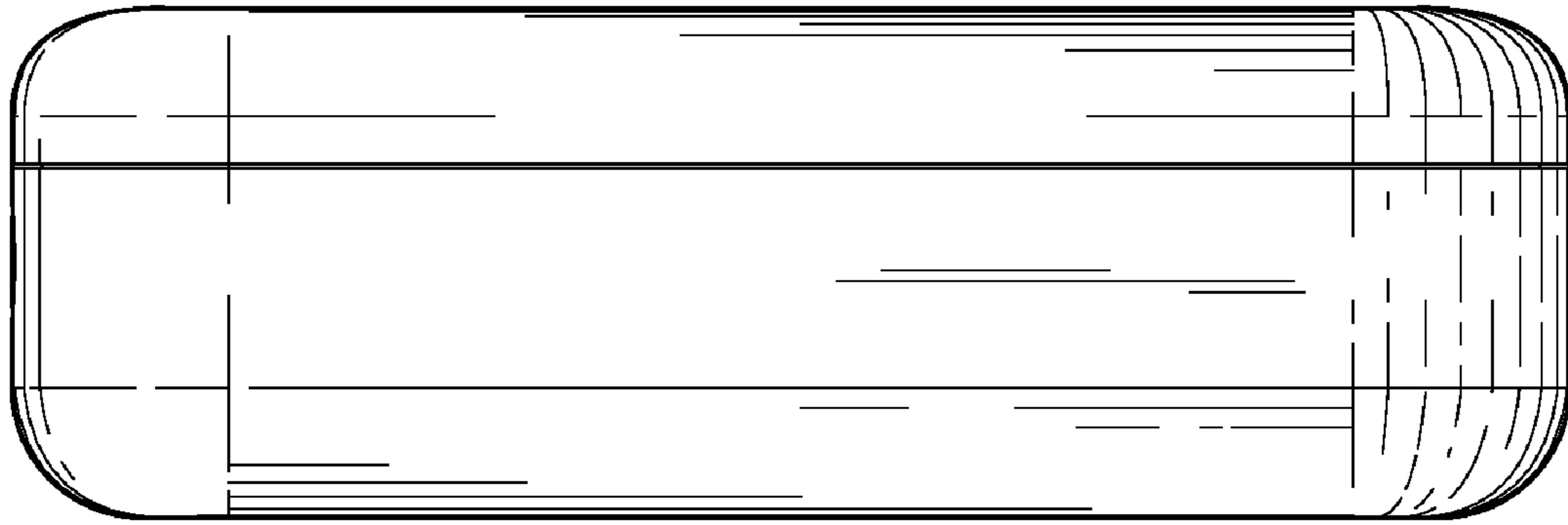


FIG.5

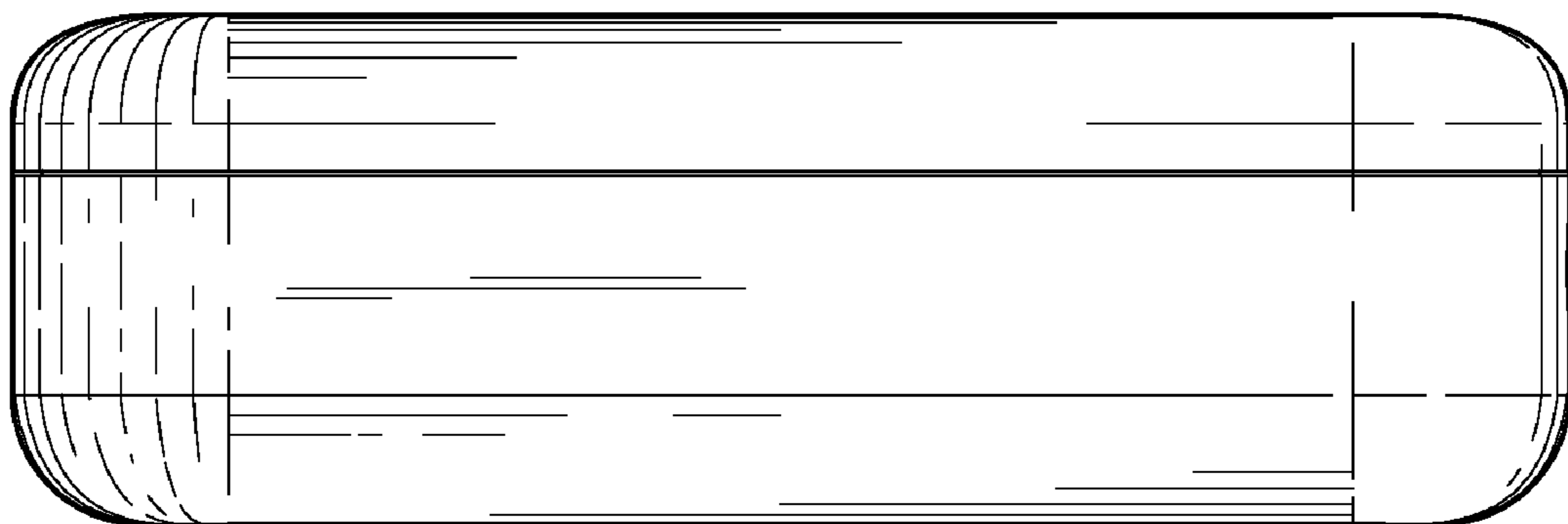


FIG.6

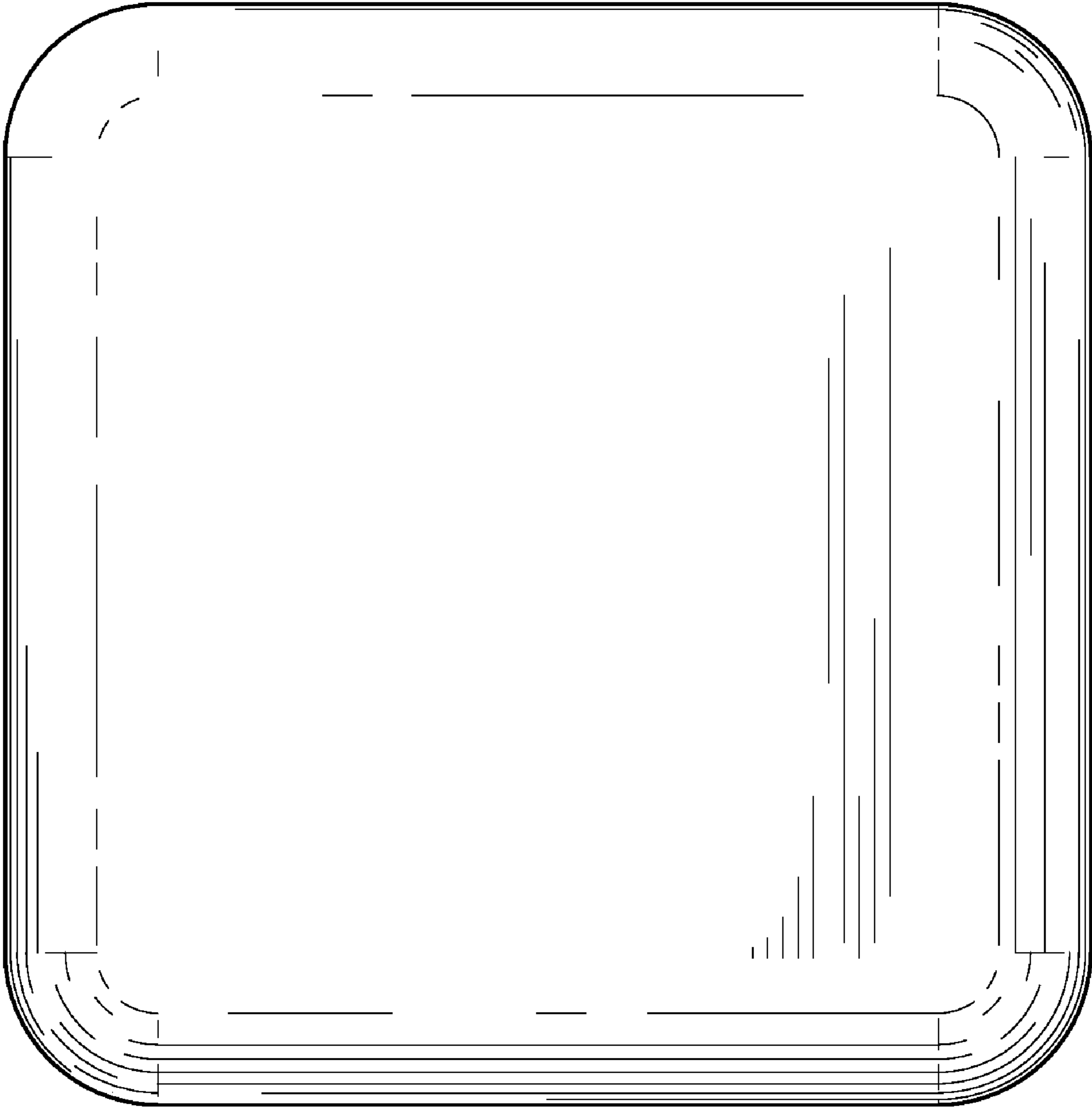


FIG.7

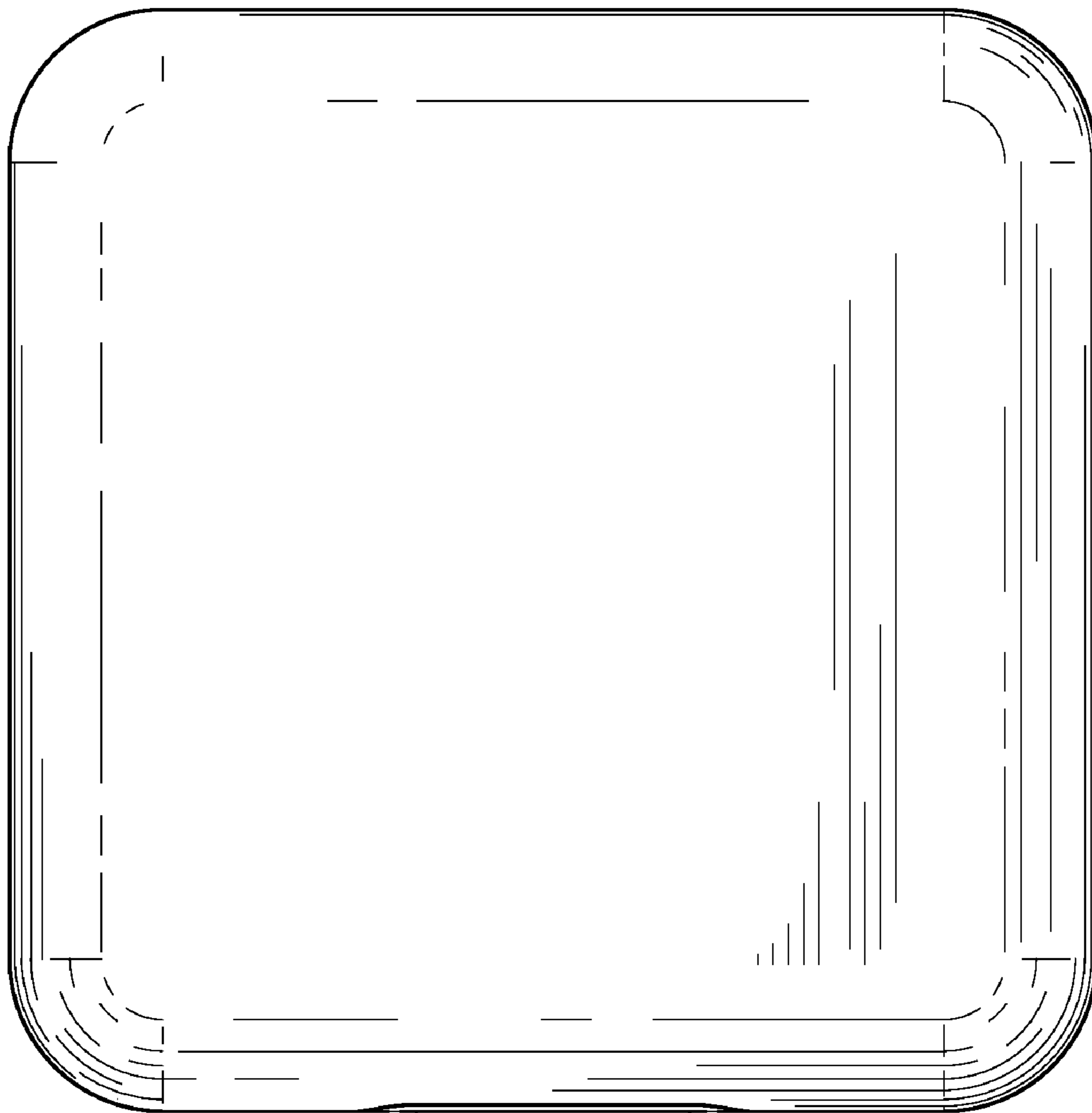


FIG.8