



US00D614978S

(12) **United States Design Patent**
Houlihan et al.

(10) **Patent No.:** **US D614,978 S**

(45) **Date of Patent:** **** May 4, 2010**

(54) **NON-CONTACT INFRARED THERMOMETER**

D504,335 S * 4/2005 Stevenson et al. D10/57
D570,714 S * 6/2008 Aulwes et al. D10/57
D579,800 S * 11/2008 Mobley D10/57
D582,804 S * 12/2008 Flandin et al. D10/57

(75) Inventors: **Keith Houlihan**, Miami, FL (US); **Craig Sizer**, Miami, FL (US); **Abhishek Shrivastava**, Miami, FL (US)

* cited by examiner

(73) Assignee: **Sanomedics Development Corporation**, Miami, FL (US)

Primary Examiner—Antoine D Davis

(74) *Attorney, Agent, or Firm*—Zarian Midgley & Johnson PLLC

(**) Term: **14 Years**

(57) **CLAIM**

(21) Appl. No.: **29/344,342**

The ornamental design for a non-contact infrared thermometer, as shown and described.

(22) Filed: **Sep. 28, 2009**

DESCRIPTION

(51) **LOC (9) Cl.** **10-04**

(52) **U.S. Cl.** **D10/57**

(58) **Field of Classification Search** D10/57;
374/1-208; 600/549

FIG. 1 is a top plan view of a non-contact infrared thermometer;

FIG. 2 is a front elevational view thereof, the rear elevational view being a mirror image thereof;

FIG. 3 is a bottom view thereof;

FIG. 4 is a left elevational view thereof;

FIG. 5 is a rear elevational view thereof;

FIG. 6 is a right elevational view thereof; and,

FIG. 7 is an isometric view thereof, showing our design.

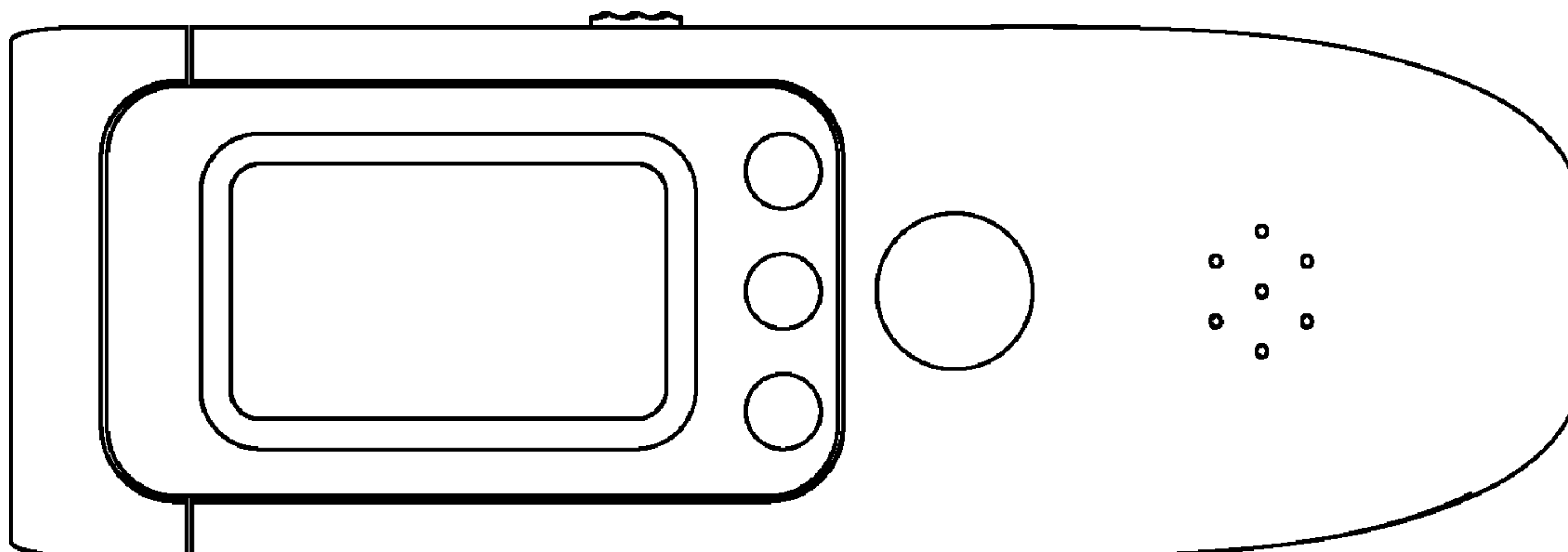
See application file for complete search history.

(56) **References Cited**

U.S. PATENT DOCUMENTS

D399,768 S * 10/1998 Schwan D10/57
D400,808 S * 11/1998 Schwan D10/57
D446,135 S * 8/2001 Chen D10/57
D448,314 S * 9/2001 Chen D10/57
D481,321 S * 10/2003 Knieriem et al. D10/57

1 Claim, 3 Drawing Sheets



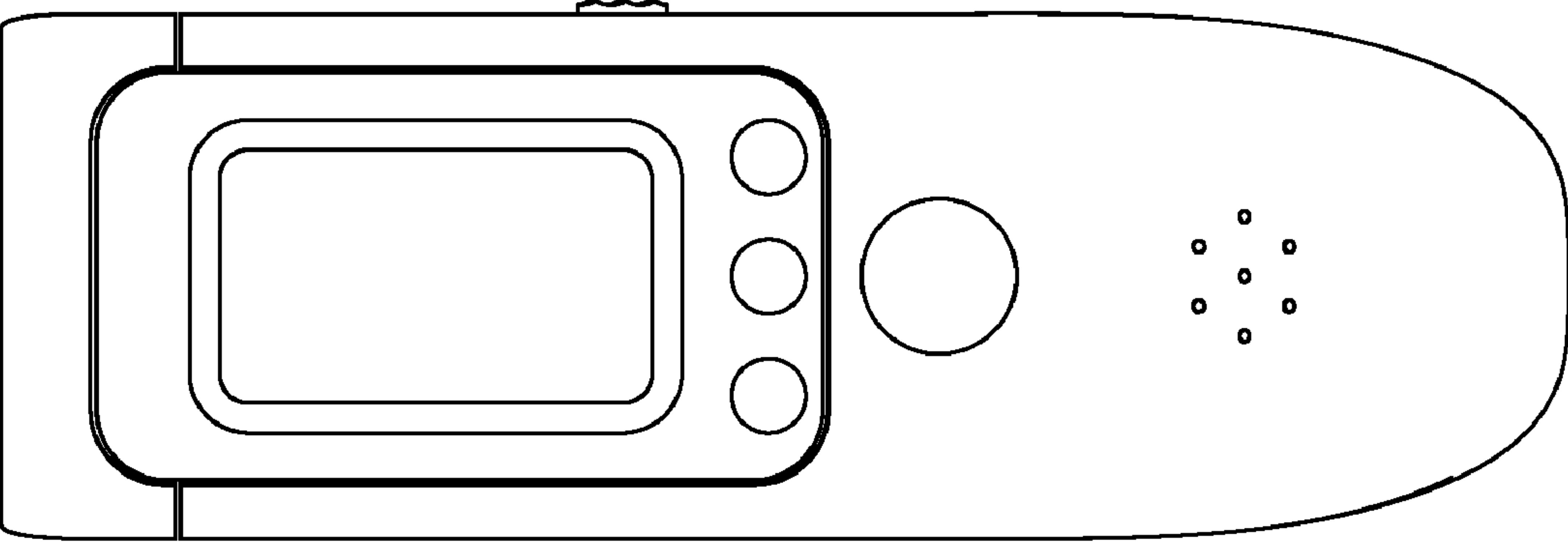


Fig. 1

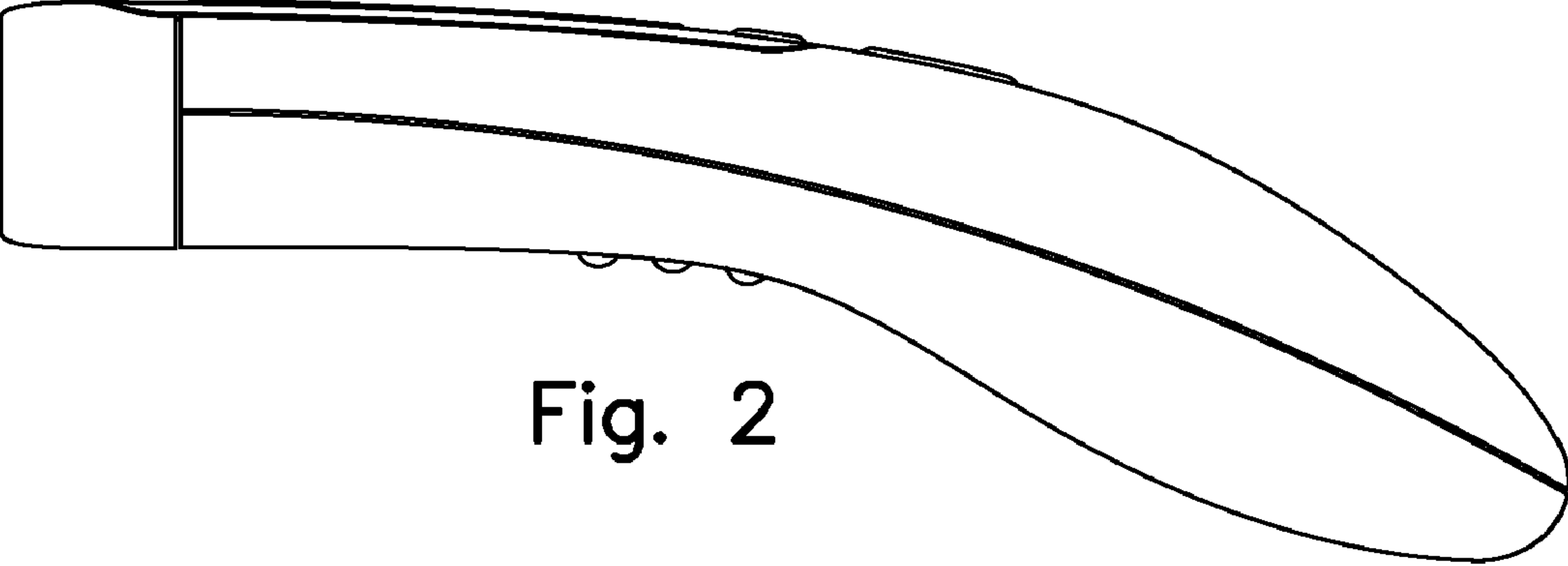


Fig. 2

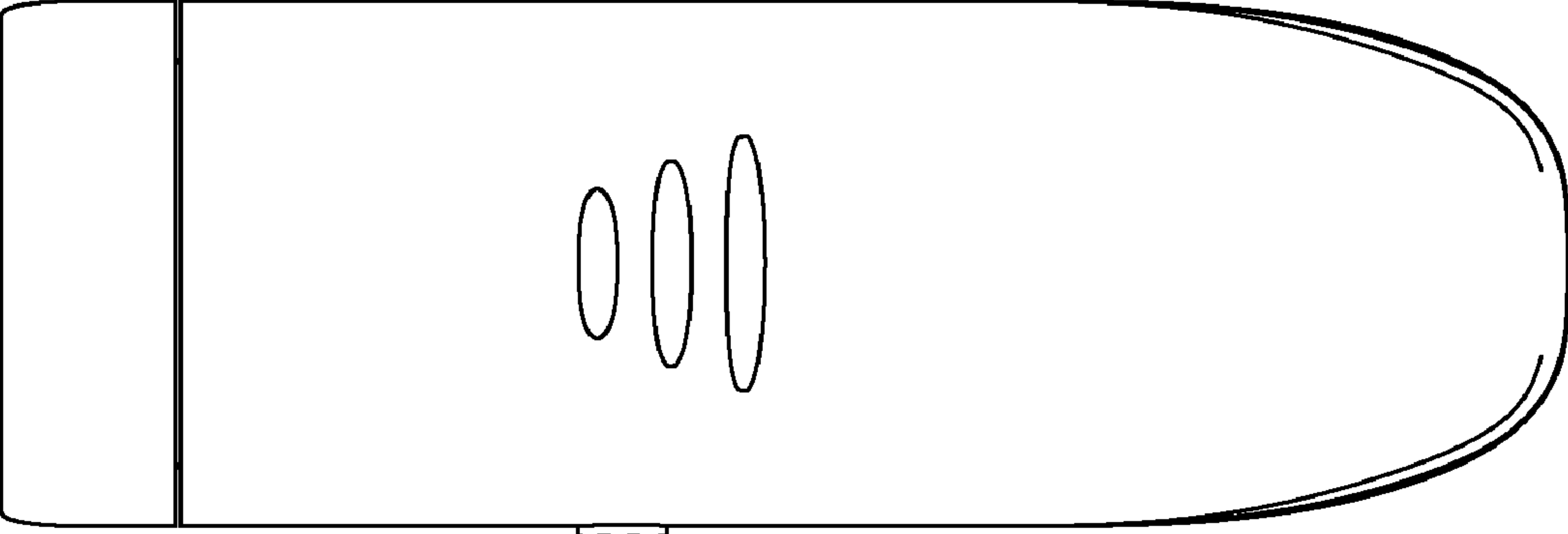


Fig. 3

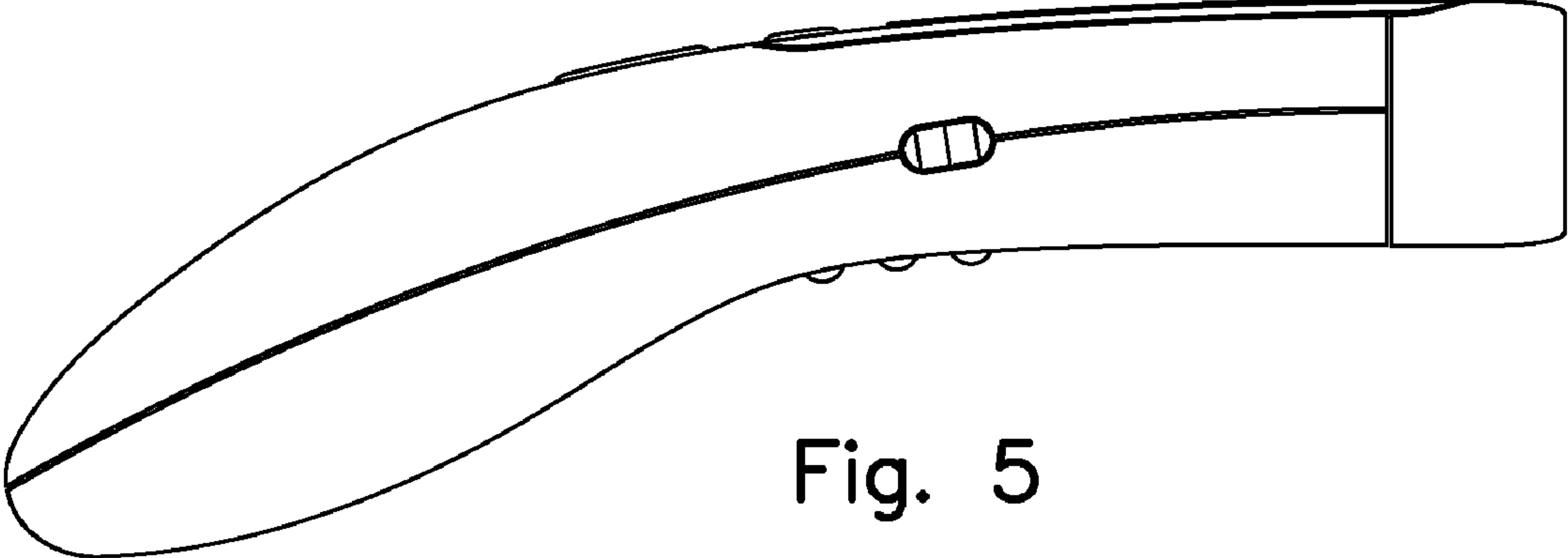


Fig. 5

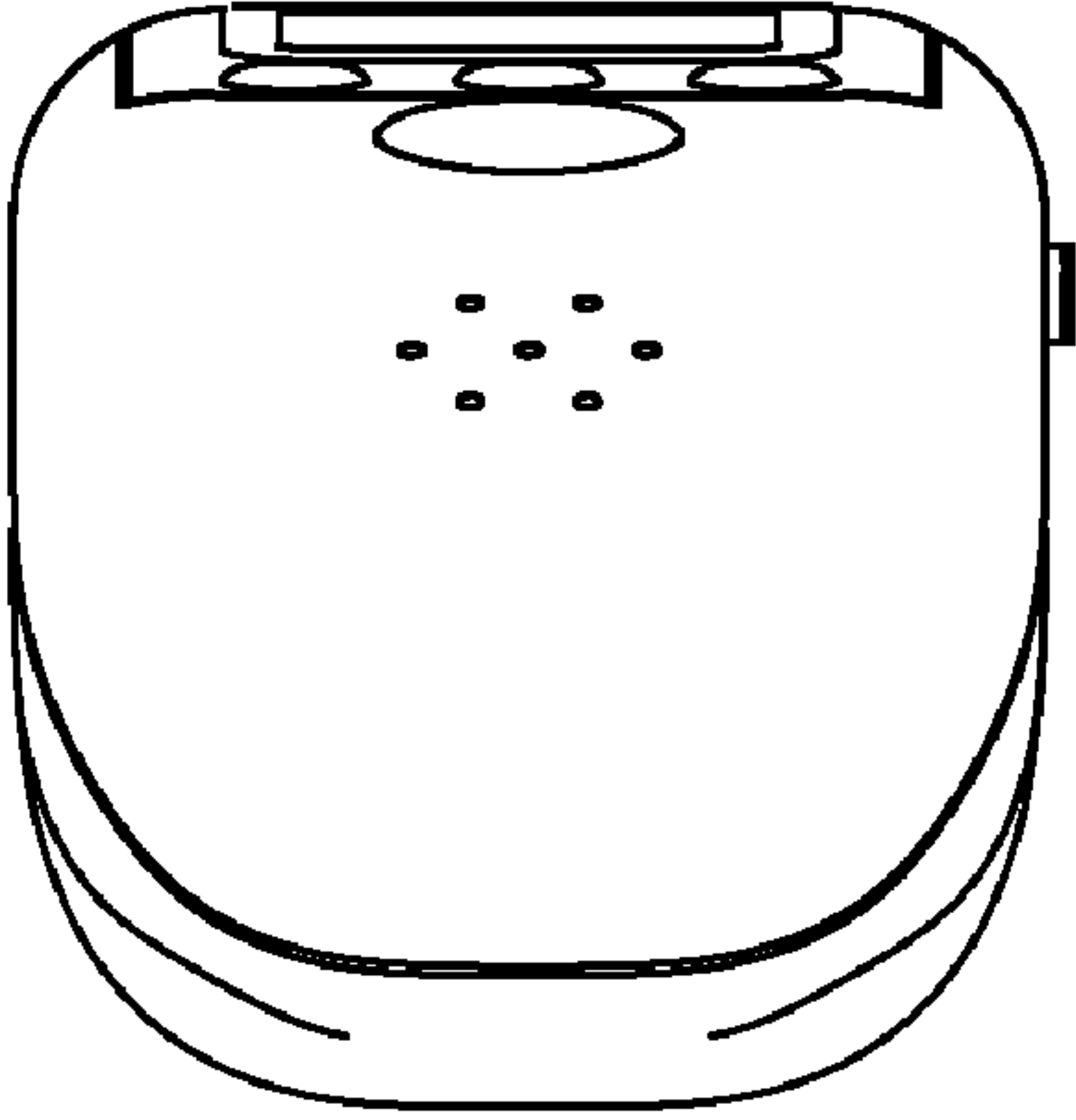


Fig. 4

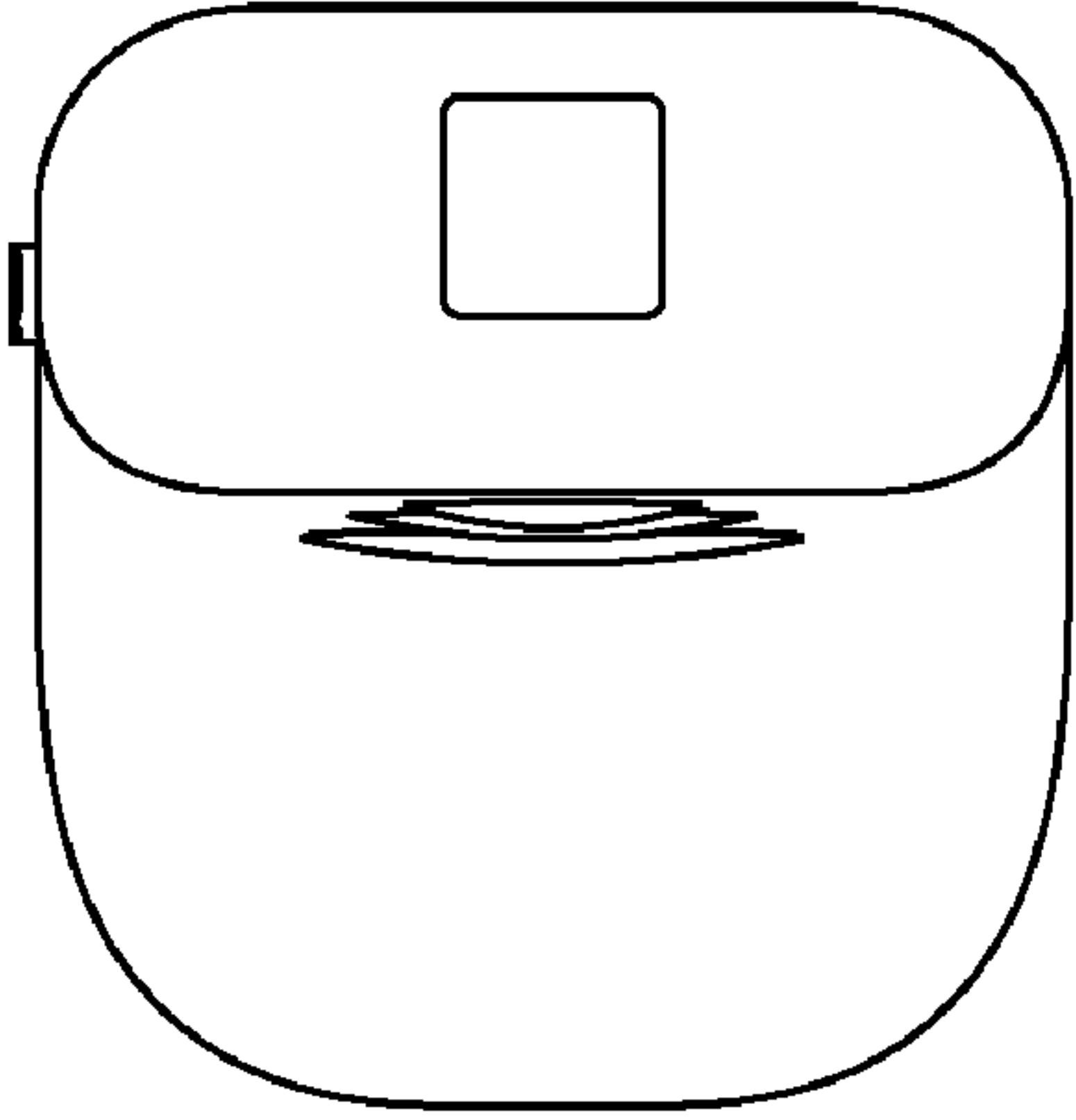


Fig. 6

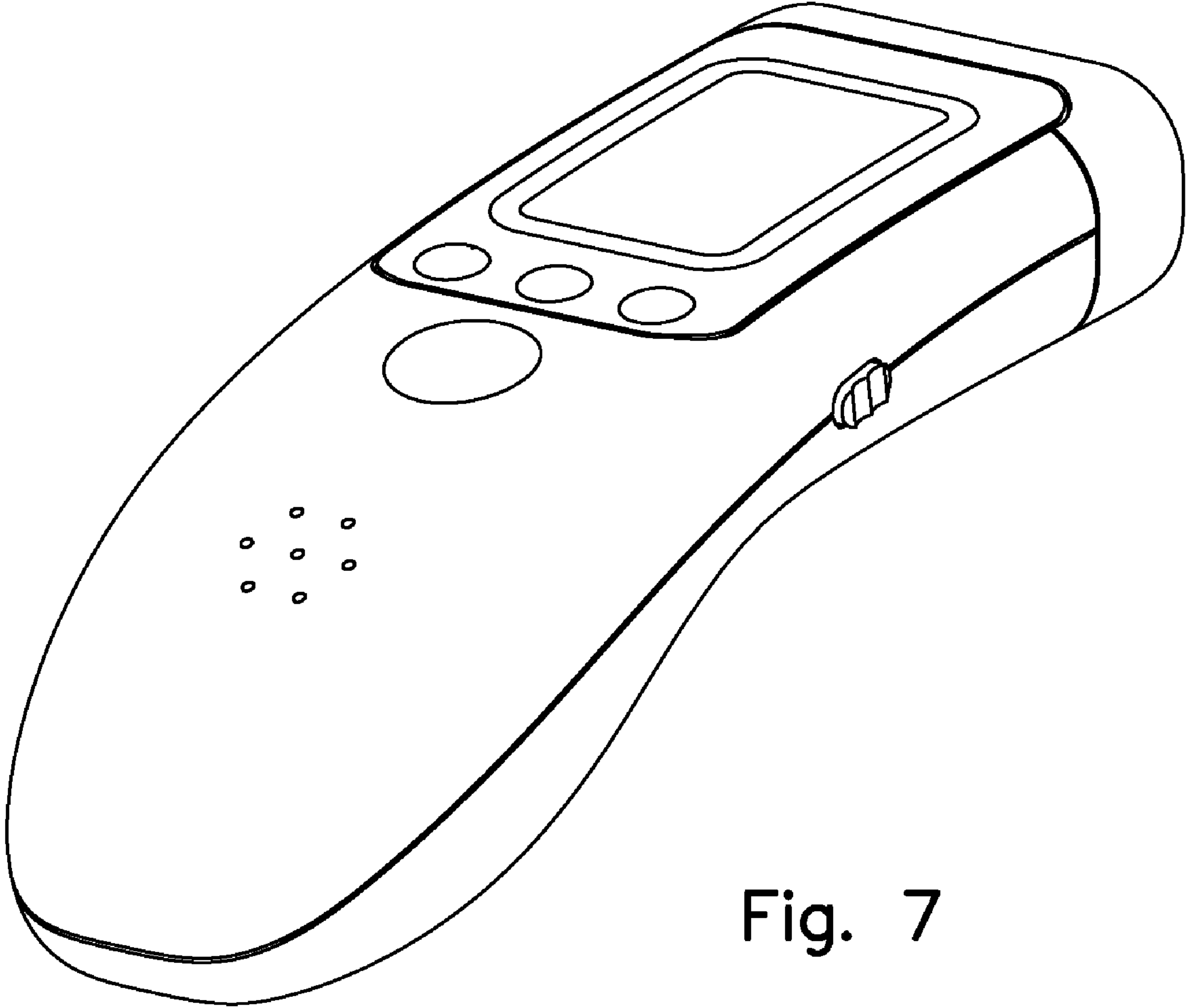


Fig. 7