



US00D614977S

(12) **United States Design Patent**  
**Hollnagel et al.**

(10) **Patent No.:** **US D614,977 S**

(45) **Date of Patent:** **\*\* May 4, 2010**

(54) **CENTRAL CONTROL MODULE**

D591,182 S \* 4/2009 Schoenherr et al. .... D10/49

(75) Inventors: **Mikkel P. Hollnagel**, Vejle (DK); **Kevin Abreu**, Northamptonshire (GB); **Simon Skafdrup**, Aarhus C (DK); **Tina Holm Sorensen**, Silkeborg (DK)

\* cited by examiner

*Primary Examiner*—Antoine D Davis

(74) *Attorney, Agent, or Firm*—McCormick, Paulding & Huber LLP

(73) Assignee: **Danfoss A/S**, Nordborg (DK)

(57) **CLAIM**

(\*\*) Term: **14 Years**

The ornamental design for a central control module, substantially as shown and described.

(21) Appl. No.: **29/343,113**

(22) Filed: **Sep. 8, 2009**

(30) **Foreign Application Priority Data**

Mar. 9, 2009 (EM) ..... 001101364

(51) **LOC (9) Cl.** ..... **10-04**

(52) **U.S. Cl.** ..... **D10/50**

(58) **Field of Classification Search** ..... D10/49–50;  
236/5, 46 R–46 F, 47, 49.3, 51, 84, 94; 340/7.21–7.24,  
340/7.32, 825.6, 825.72, 539.1, 539.11, 539.14,  
340/539.21, 539.26, 426.21, 584, 589, 870.17;  
374/167; 400/485; 455/420, 226.1

See application file for complete search history.

(56) **References Cited**

**U.S. PATENT DOCUMENTS**

D590,730 S \* 4/2009 Simard et al. .... D10/50

**DESCRIPTION**

FIG. 1 is a top, front, left-hand side perspective view of a central control module comprising a new, original and ornamental design;

FIG. 2 is a front view of a central control module comprising the new, original and ornamental design;

FIG. 3 is a rear view of a central control module comprising the new, original and ornamental design;

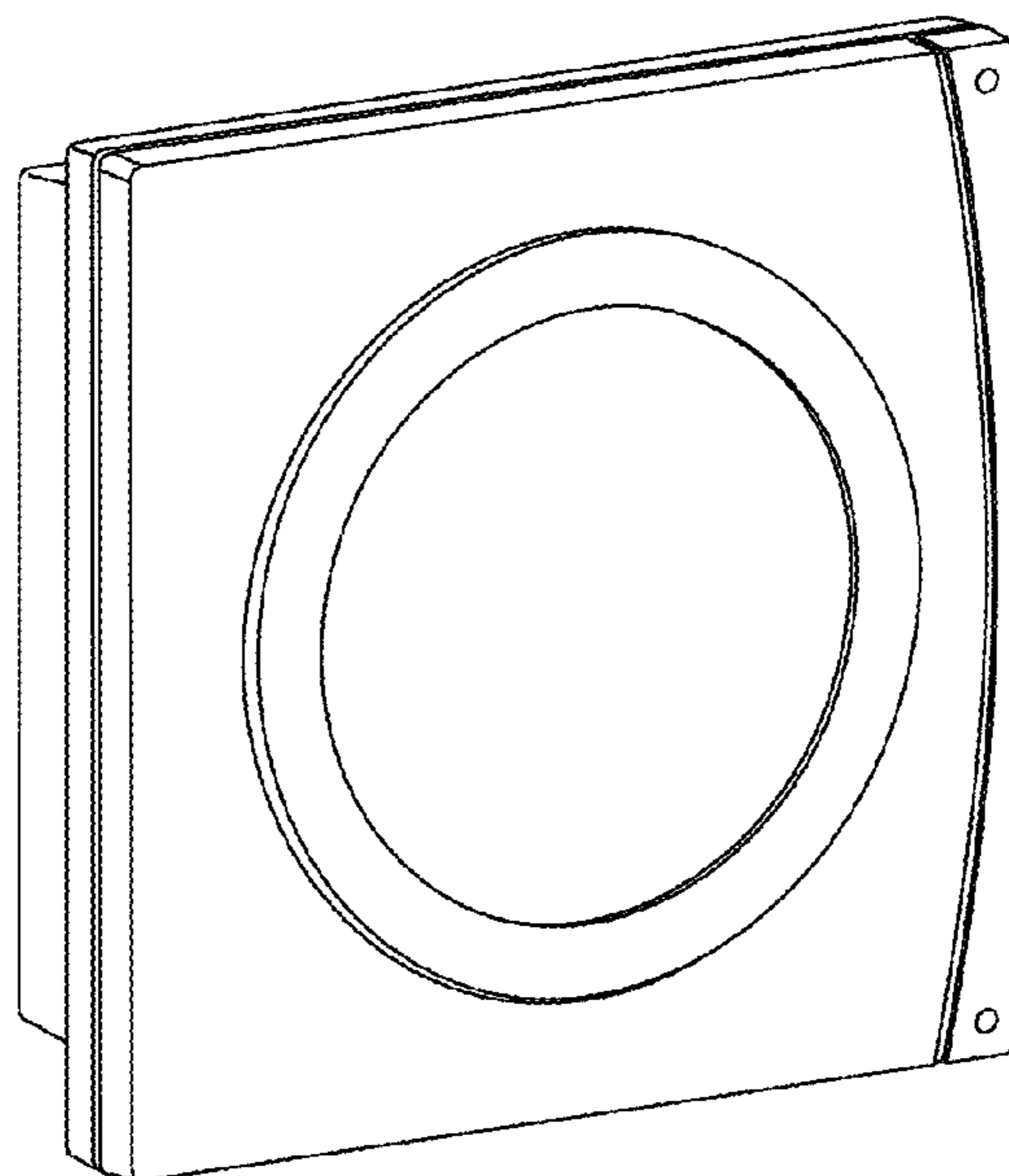
FIG. 4 is a top view of a central control module comprising the new, original and ornamental design;

FIG. 5 is a bottom view of a central control module comprising the new, original and ornamental design;

FIG. 6 is a left-hand side view of a central control module comprising the new, original and ornamental design; and,

FIG. 7 is a right-hand side view of a central control module comprising the new, original and ornamental design.

**1 Claim, 3 Drawing Sheets**



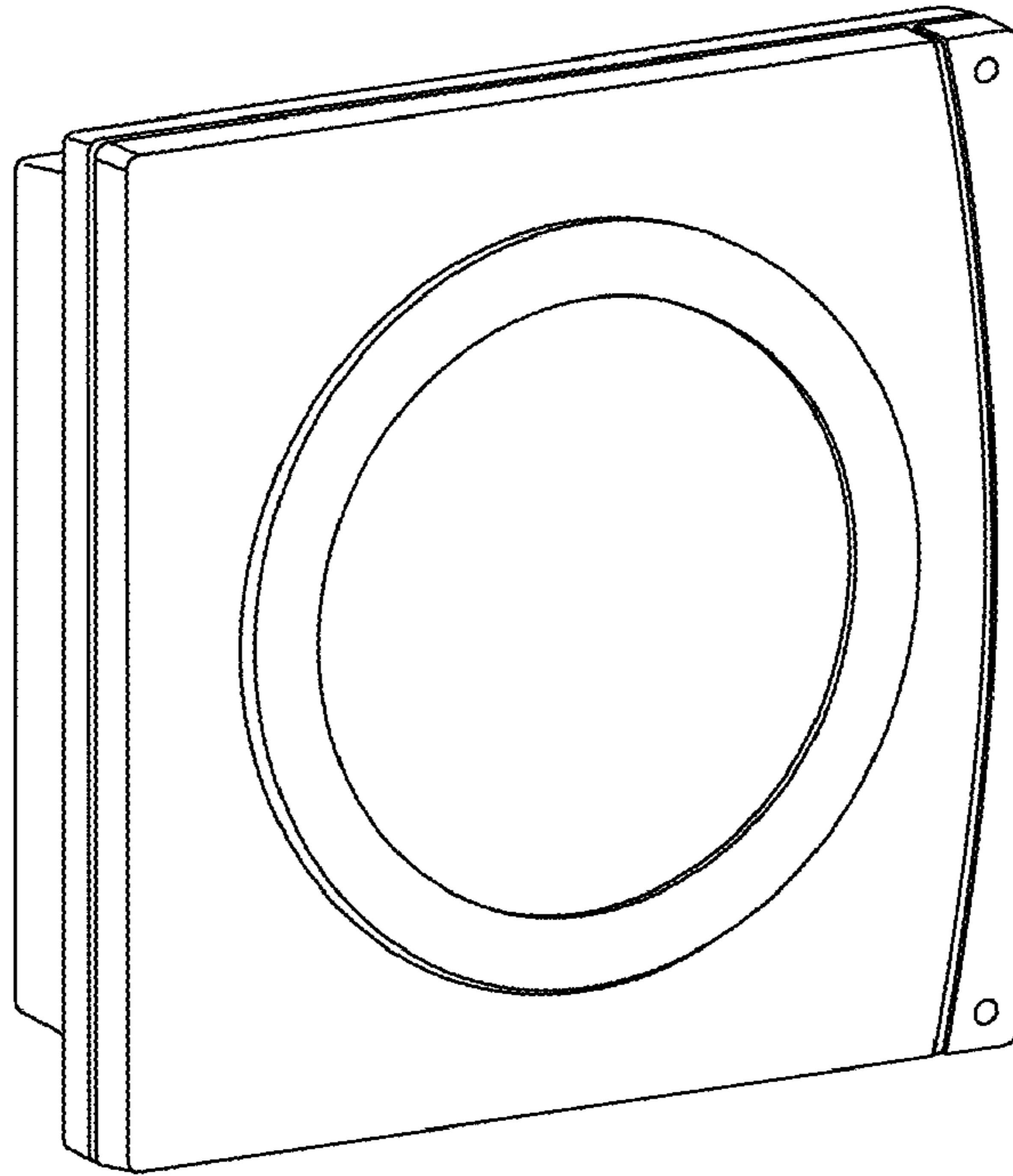


FIG. 1

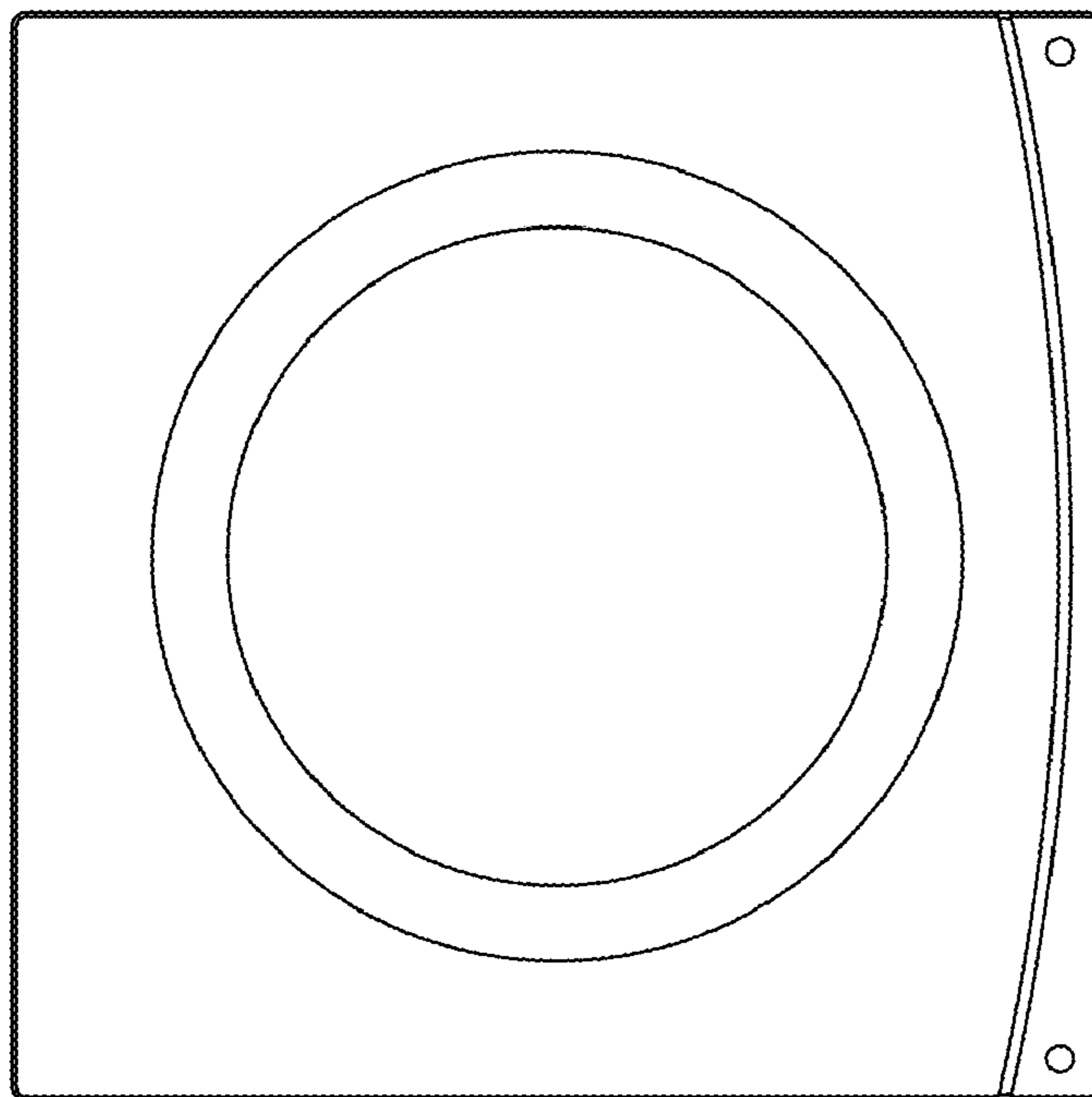


FIG. 2

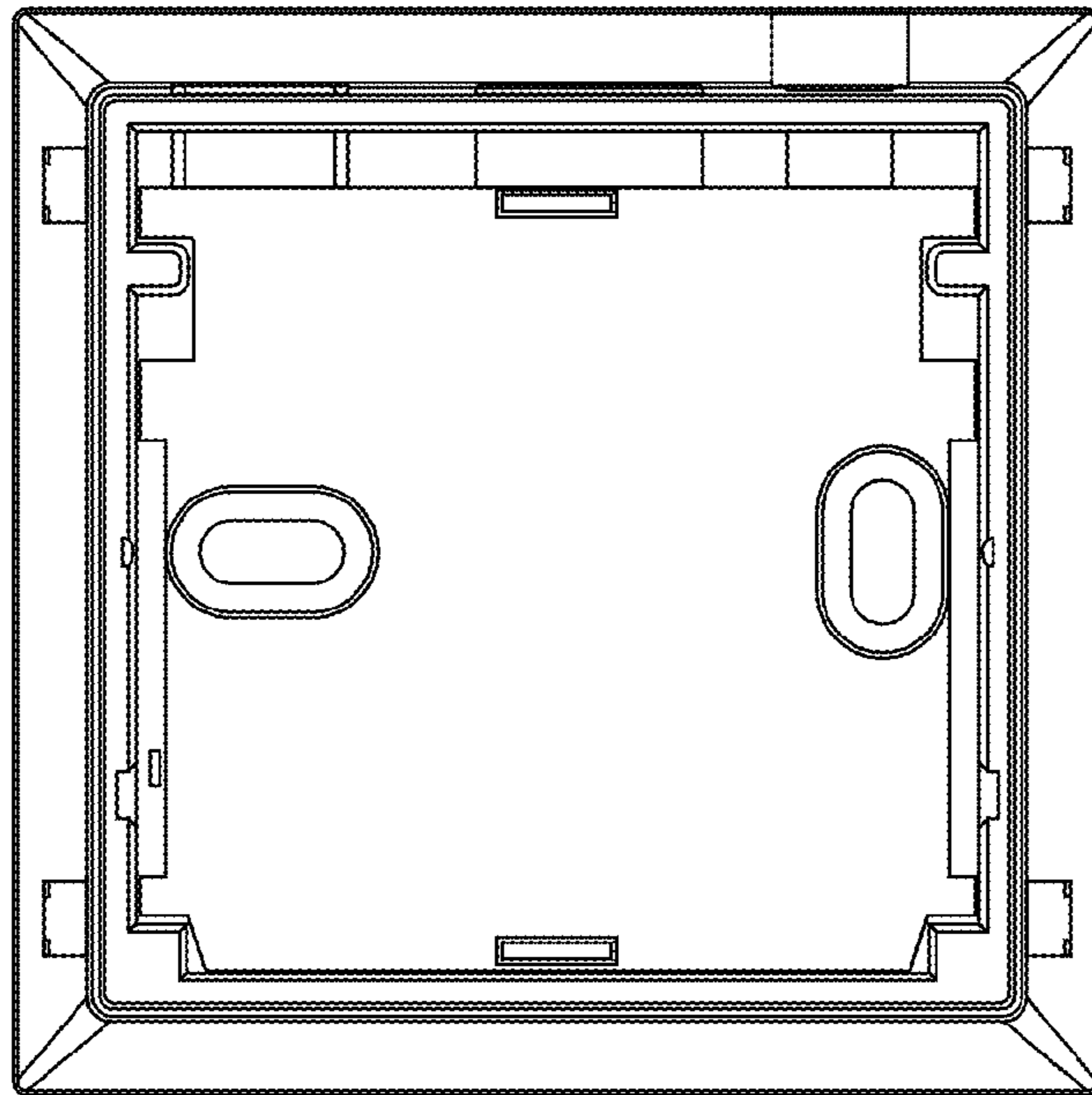


FIG. 3

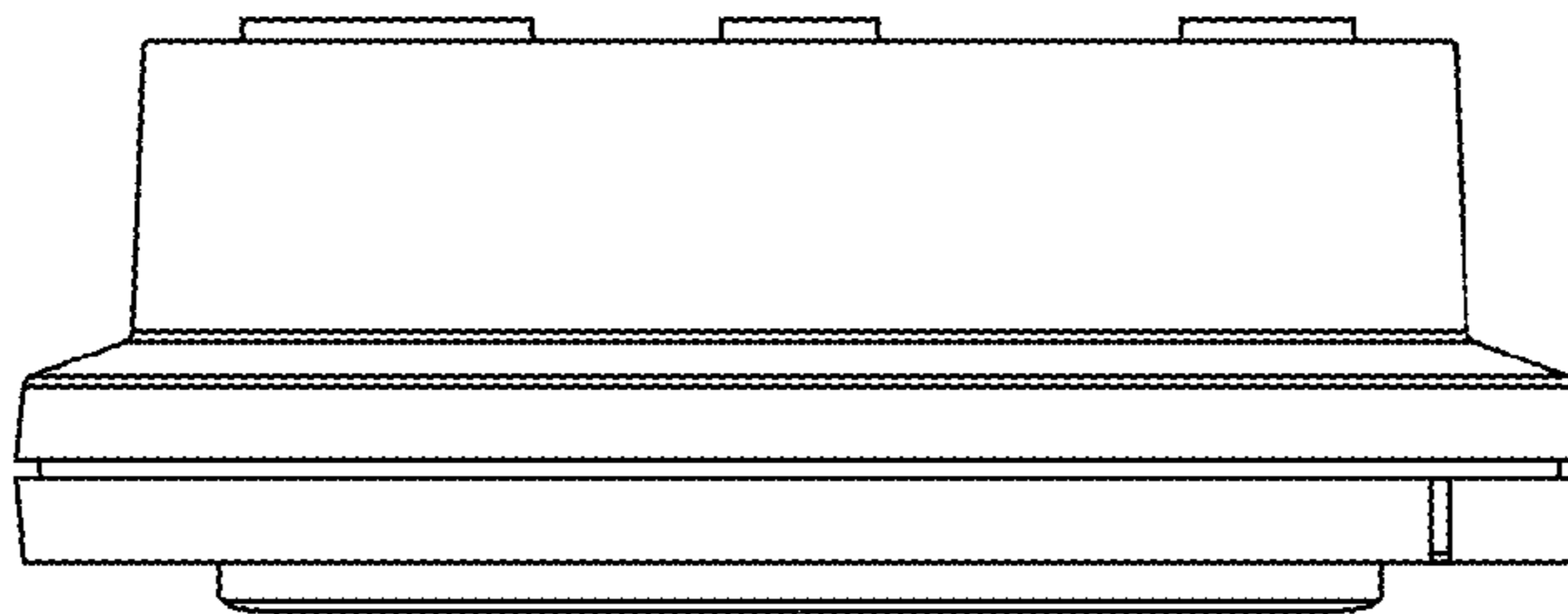


FIG. 4

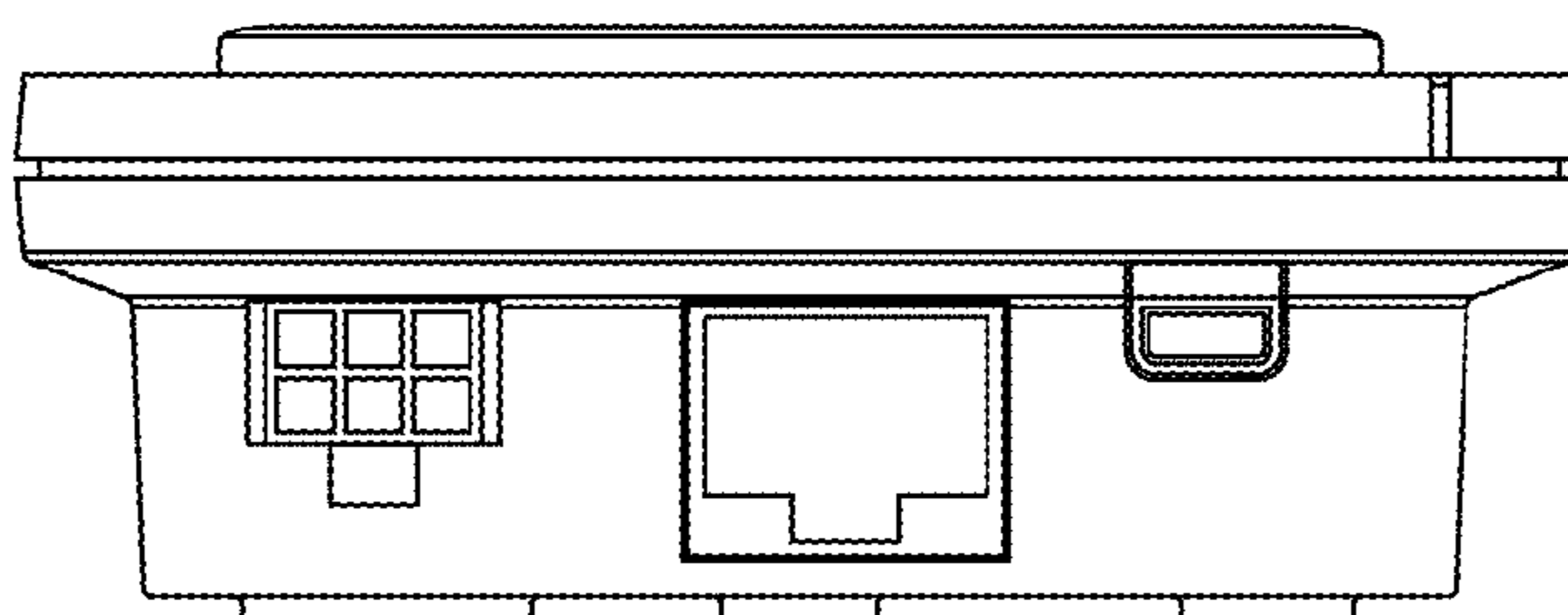


FIG. 5

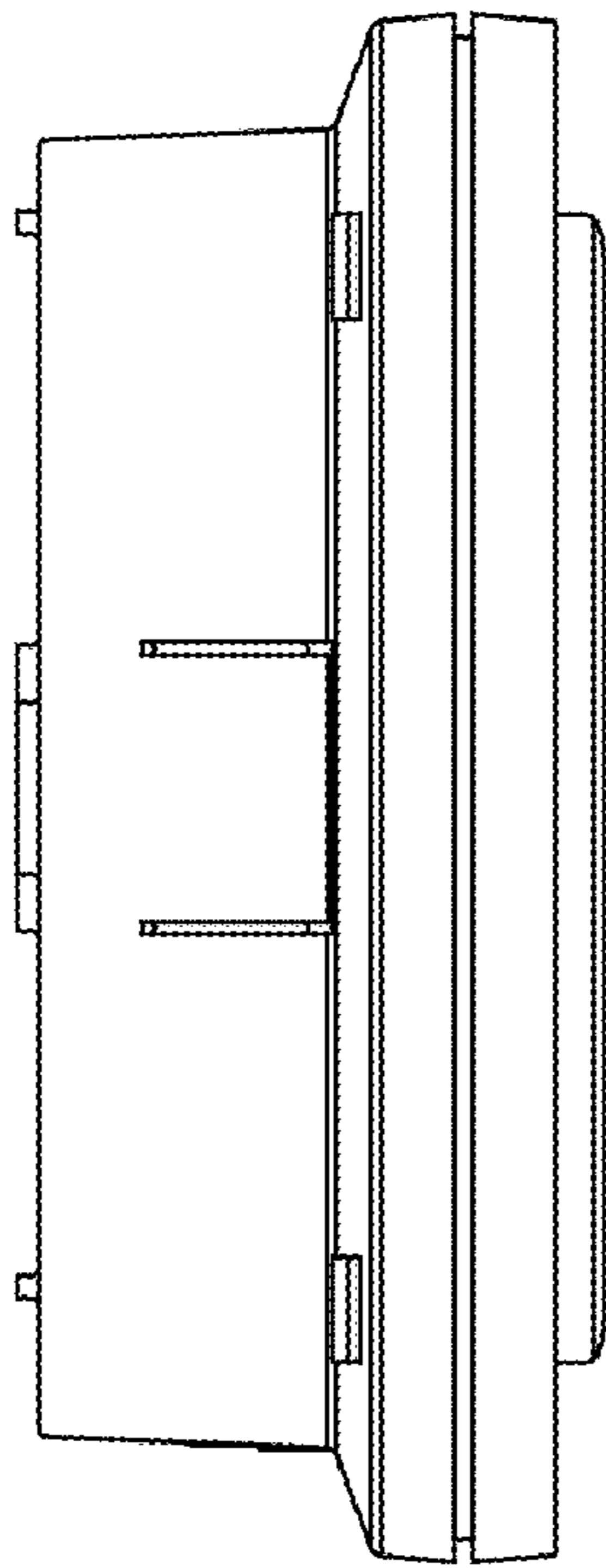


FIG. 6

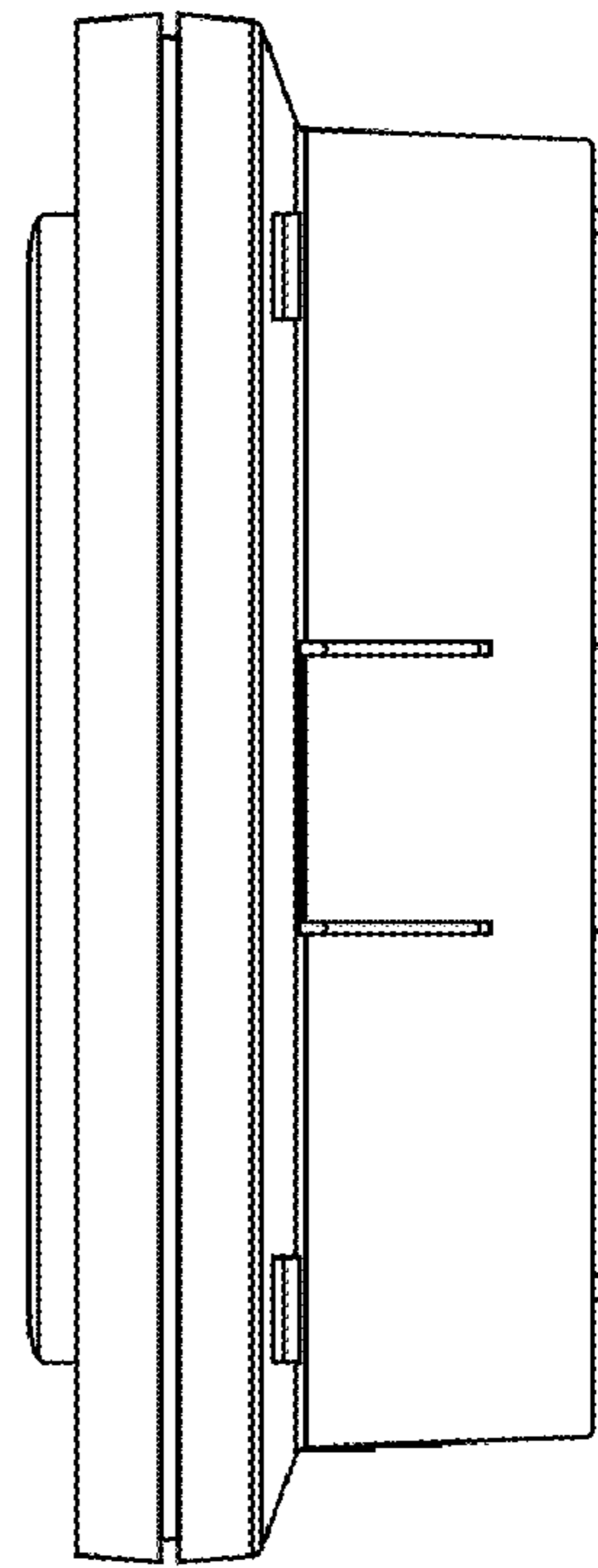


FIG. 7