



US00D614976S

(12) **United States Design Patent**
Skafdrup et al.

(10) **Patent No.:** **US D614,976 S**
(45) **Date of Patent:** **** May 4, 2010**

(54) **WIRELESS THERMOSTAT WITH DIAL AND DISPLAY**

(75) Inventors: **Simon Skafdrup**, Arhus (DK); **Tina Holm Sorensen**, Silkeborg (DK); **Henning Guld**, Horsens (DK)

(73) Assignee: **Danfoss A/S**, Nordborg (DK)

(**) Term: **14 Years**

(21) Appl. No.: **29/343,002**

(22) Filed: **Sep. 4, 2009**

(30) **Foreign Application Priority Data**

Mar. 6, 2009 (EM) 001101075

(51) **LOC (9) Cl.** **10-04**

(52) **U.S. Cl.** **D10/50**

(58) **Field of Classification Search** D10/49-50;
236/5, 46 R-46 F, 47, 49.3, 51, 84, 94; 340/7.21-7.24,
340/7.32, 825.6, 825.72, 539.1, 539.11, 539.14,
340/539.21, 539.26, 426.21, 584, 589, 870.17;
374/167; 400/485; 455/420, 226.1
See application file for complete search history.

(56) **References Cited**

U.S. PATENT DOCUMENTS

D590,730 S * 4/2009 Simard et al. D10/50
D591,182 S * 4/2009 Schoenherr et al. D10/49

* cited by examiner

Primary Examiner—Antoine D Davis

(74) *Attorney, Agent, or Firm*—McCormick, Paulding & Huber LLP

(57) **CLAIM**

The ornamental design for a wireless thermostat with dial and display, substantially as shown and described.

DESCRIPTION

FIG. 1 is a top, front, left-hand side perspective view of a wireless thermostat with dial and display comprising a first embodiment of a new, original and ornamental design;

FIG. 2 is a front view of a wireless thermostat with dial and display comprising the first embodiment of the new, original and ornamental design;

FIG. 3 is a rear view of a wireless thermostat with dial and display comprising the first embodiment of the new, original and ornamental design;

FIG. 4 is a top view of a wireless thermostat with dial and display comprising the first embodiment of the new, original and ornamental design;

FIG. 5 is a bottom view of a wireless thermostat with dial and display comprising the first embodiment of the new, original and ornamental design;

FIG. 6 is a left-hand side view of a wireless thermostat with dial and display comprising the first embodiment of the new, original and ornamental design;

FIG. 7 is a right-hand side view of a wireless thermostat with dial and display comprising the first embodiment of the new, original and ornamental design;

FIG. 8 is a top, front, left-hand side perspective view of a wireless thermostat with dial and display comprising a second embodiment of a new, original and ornamental design;

FIG. 9 is a front view of a wireless thermostat with dial and display comprising the second embodiment of the new, original and ornamental design;

FIG. 10 is a rear view of a wireless thermostat with dial and display comprising the second embodiment of the new, original and ornamental design;

FIG. 11 is a top view of a wireless thermostat with dial and display comprising the second embodiment of the new, original and ornamental design;

FIG. 12 is a bottom view of a wireless thermostat with dial and display comprising the second embodiment of the new, original and ornamental design;

FIG. 13 is a left-hand side view of a wireless thermostat with dial and display comprising the second embodiment of the new, original and ornamental design;

FIG. 14 is a right-hand side view of a wireless thermostat with dial and display comprising the second embodiment of the new, original and ornamental design;

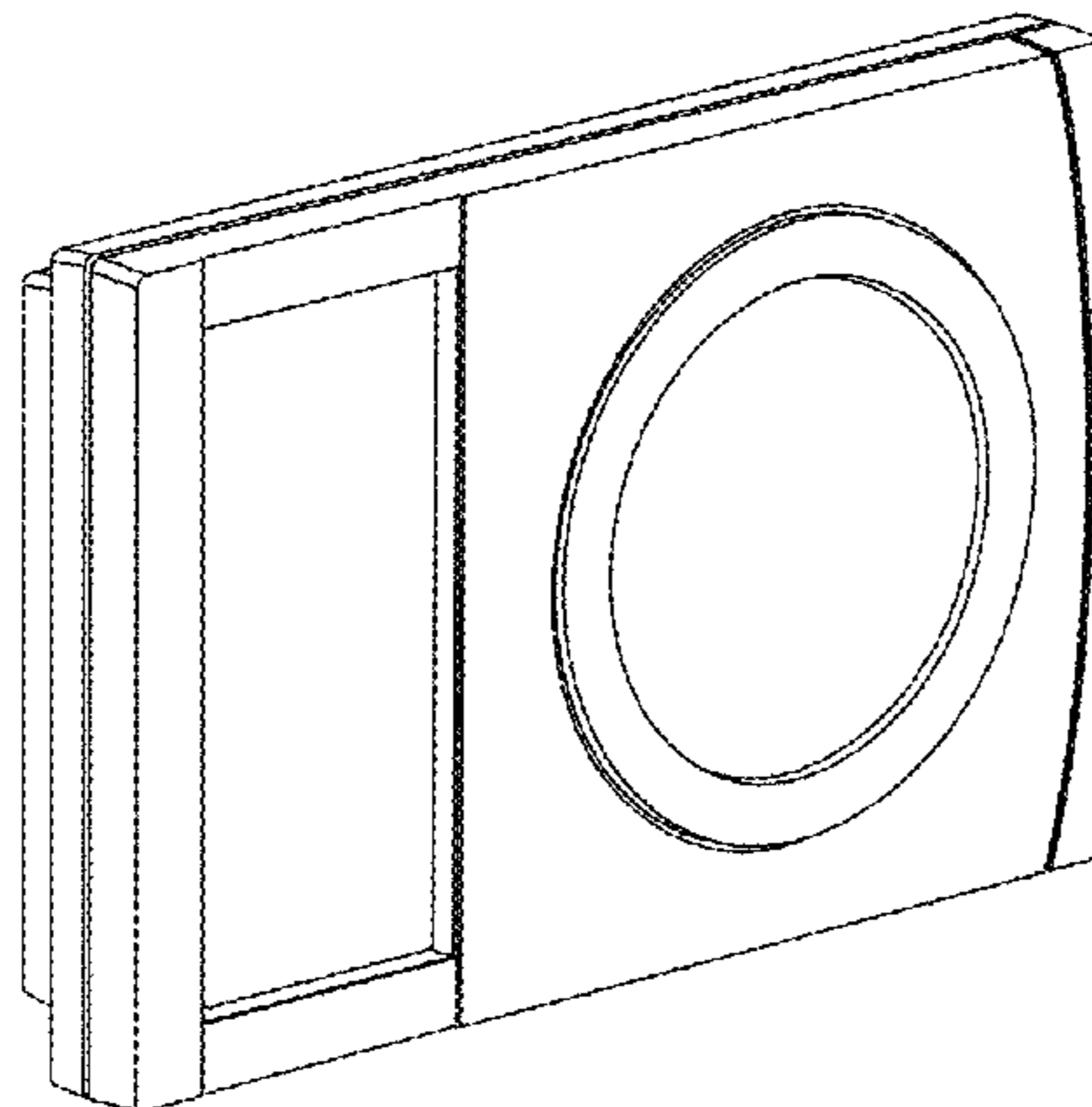


FIG. **15** is a top, front, left-hand side perspective view of a wireless thermostat with dial and display comprising a third embodiment of a new, original and ornamental design;

FIG. **16** is a front view of a wireless thermostat with dial and display comprising the third embodiment of the new, original and ornamental design;

FIG. **17** is a rear view of a wireless thermostat with dial and display comprising the third embodiment of the new, original and ornamental design;

FIG. **18** is a top view of a wireless thermostat with dial and display comprising the third embodiment of the new, original and ornamental design;

FIG. **19** is a bottom view of a wireless thermostat with dial and display comprising the third embodiment of the new, original and ornamental design;

FIG. **20** is a left-hand side view of a wireless thermostat with dial and display comprising the third embodiment of the new, original and ornamental design; and,

FIG. **21** is a right-hand side view of a wireless thermostat with dial and display comprising the third embodiment of the new, original and ornamental design.

1 Claim, 9 Drawing Sheets

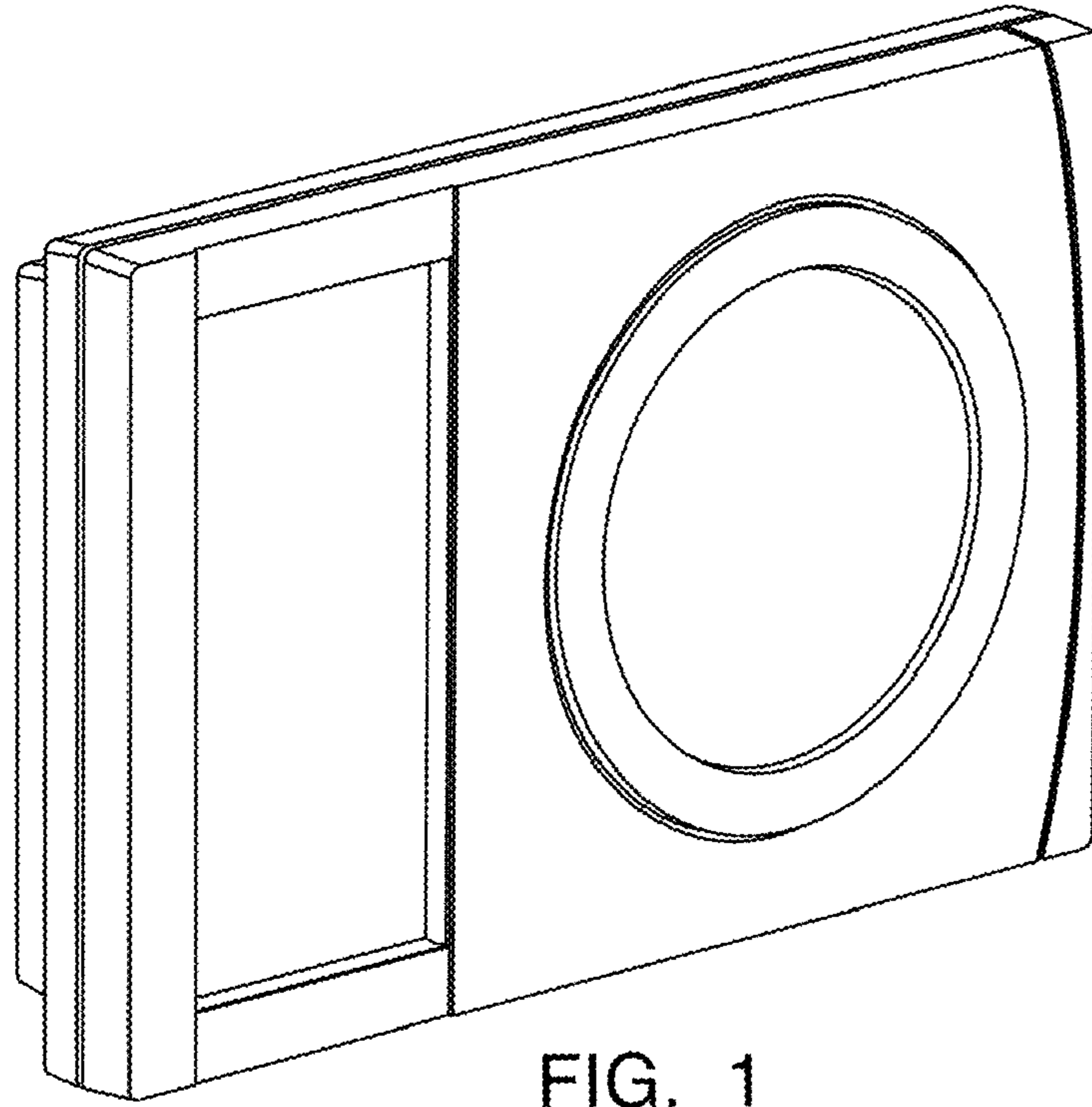


FIG. 1

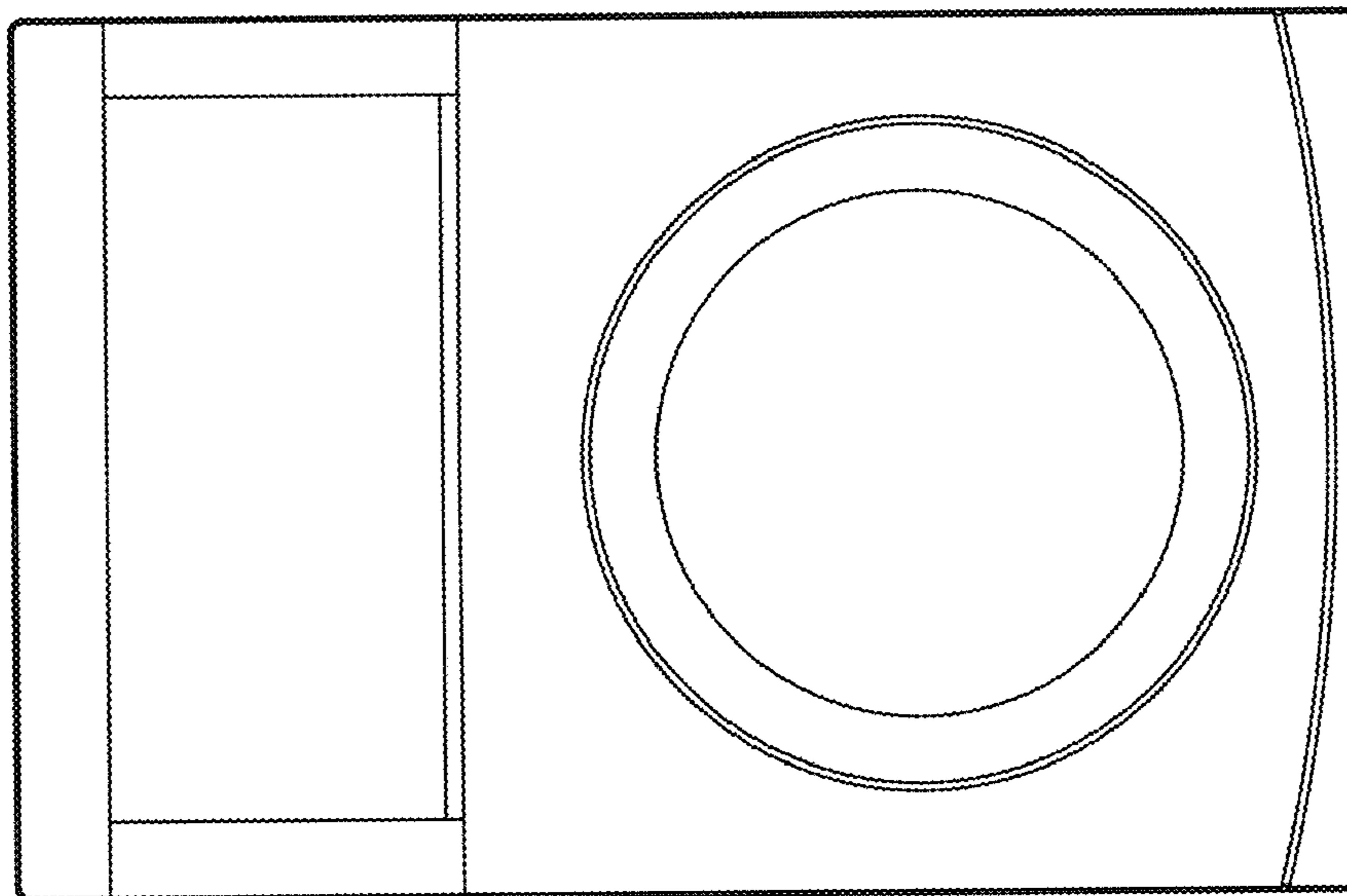


FIG. 2

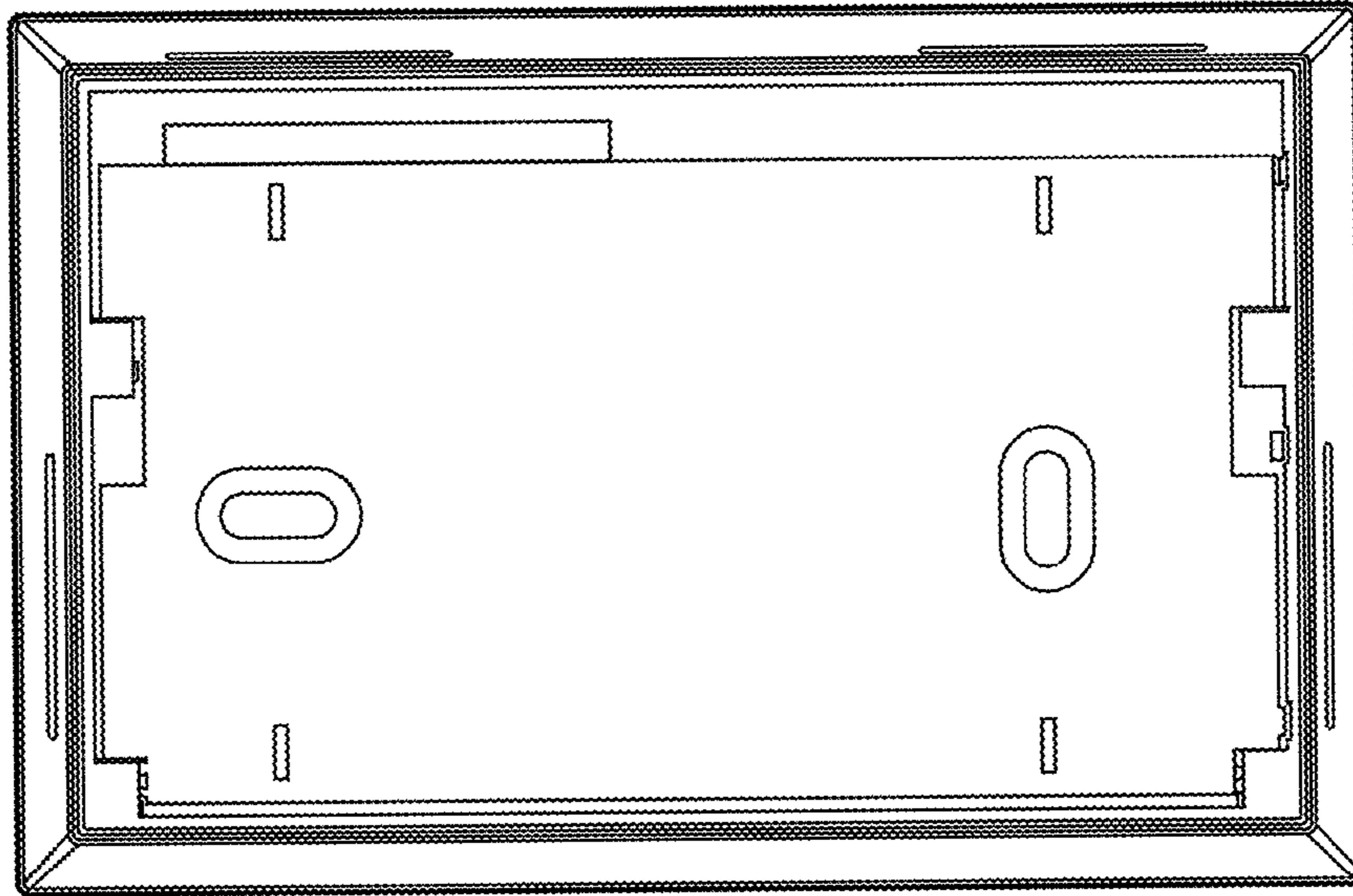


FIG. 3

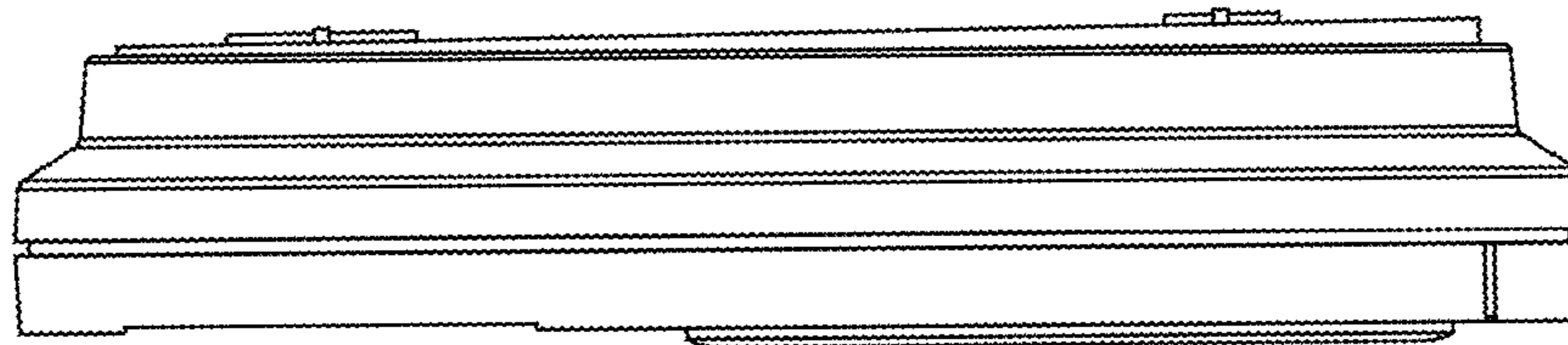


FIG. 4

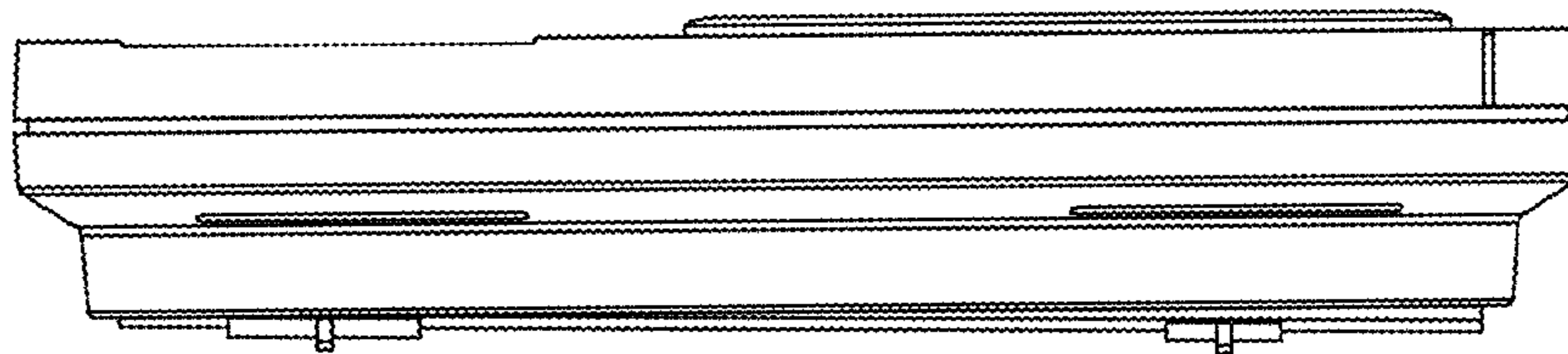


FIG. 5

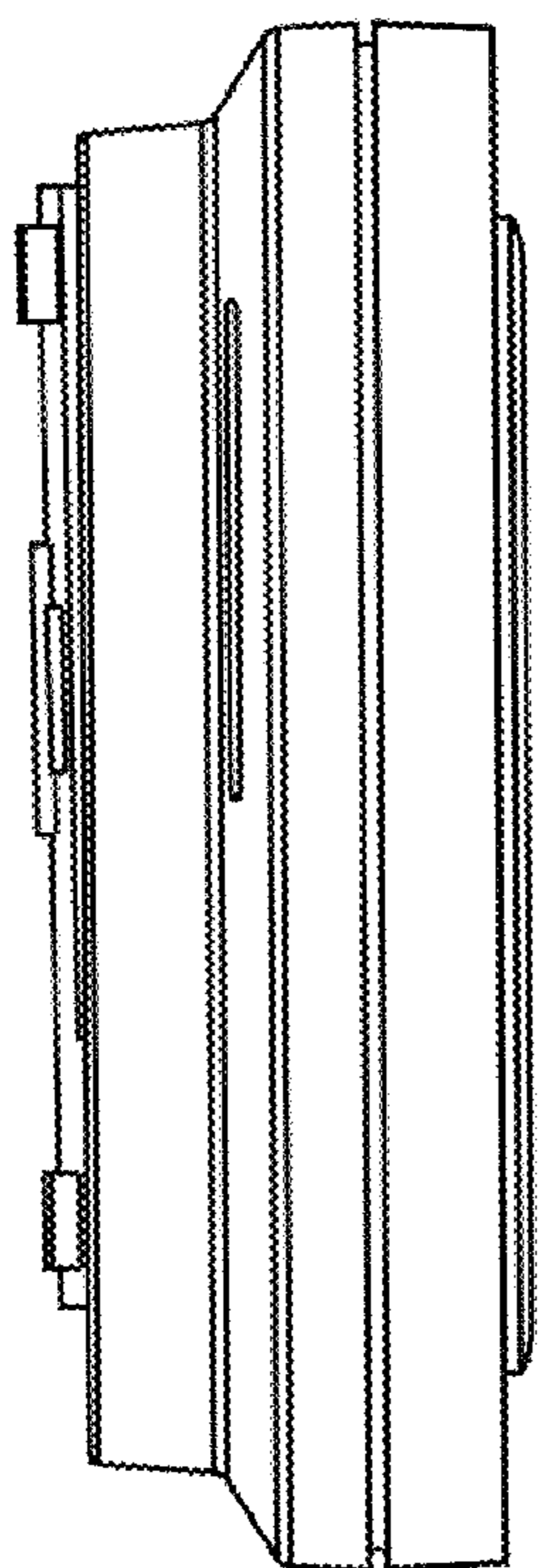


FIG. 6

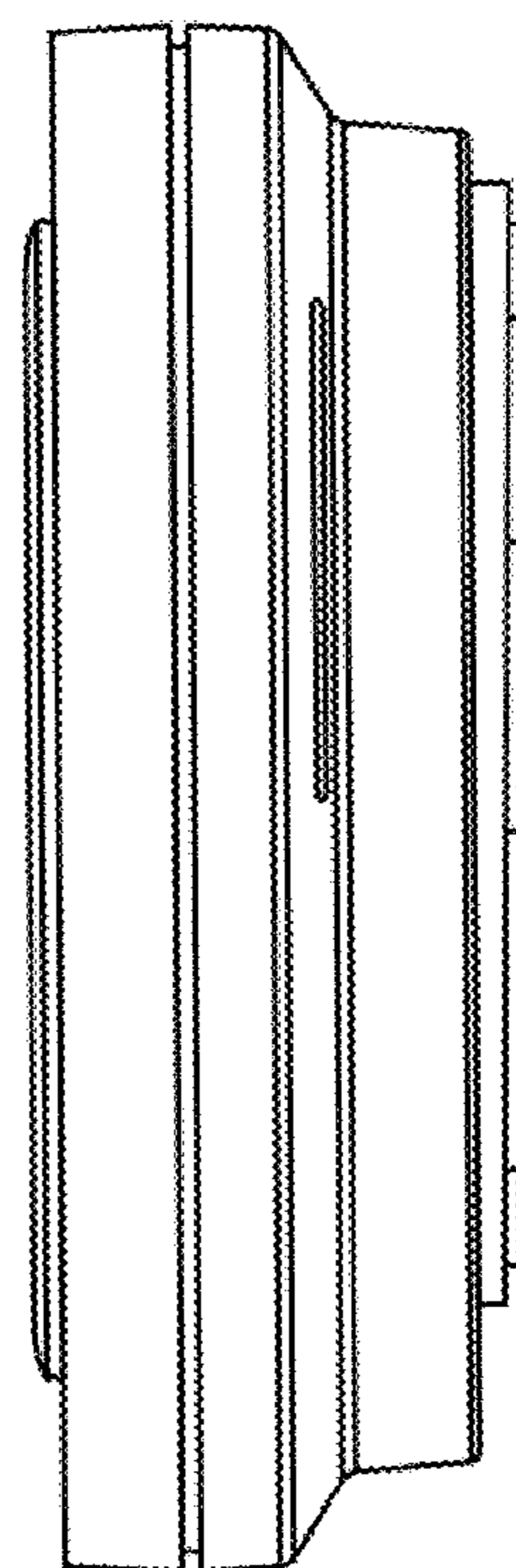


FIG. 7

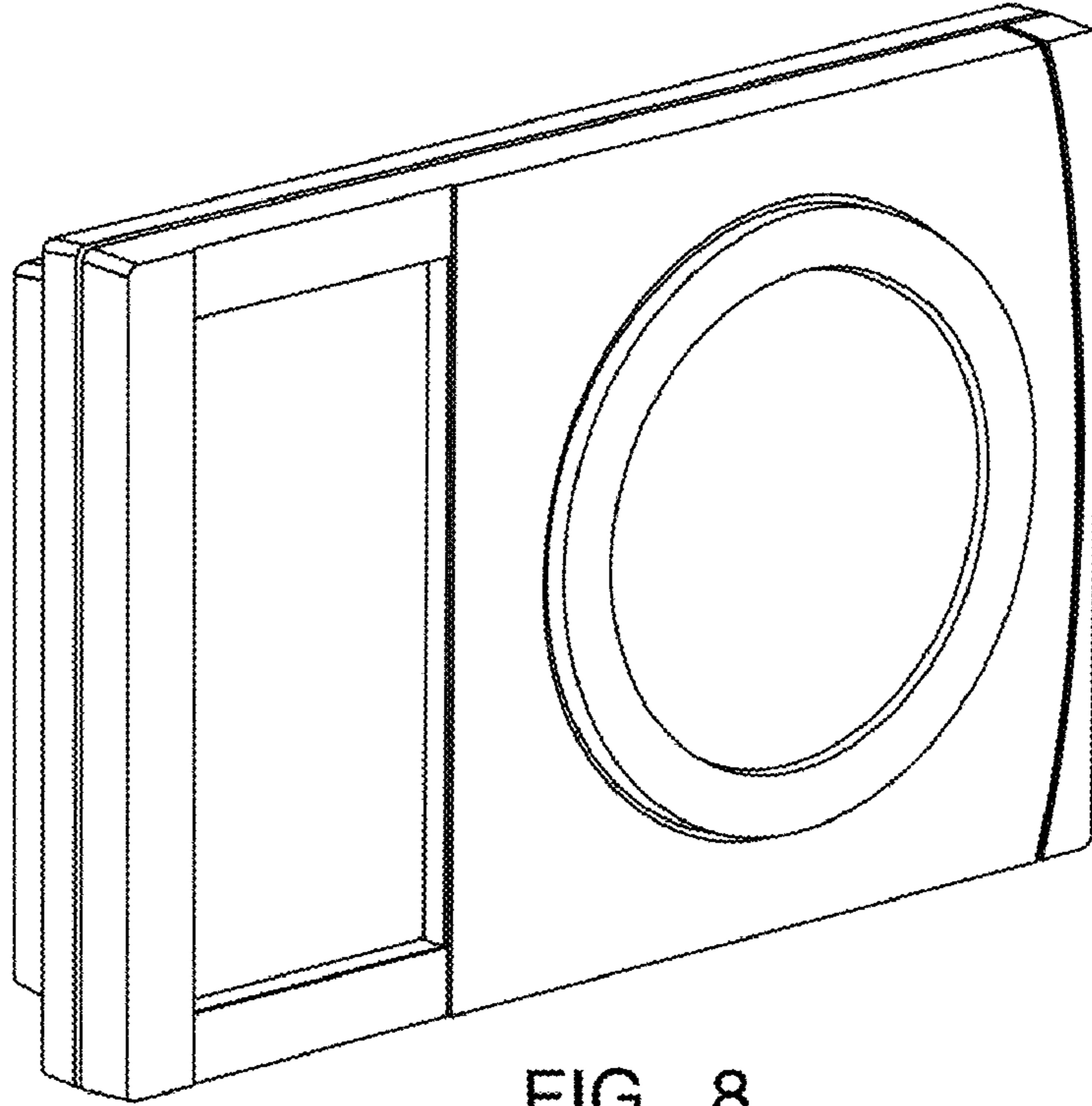


FIG. 8

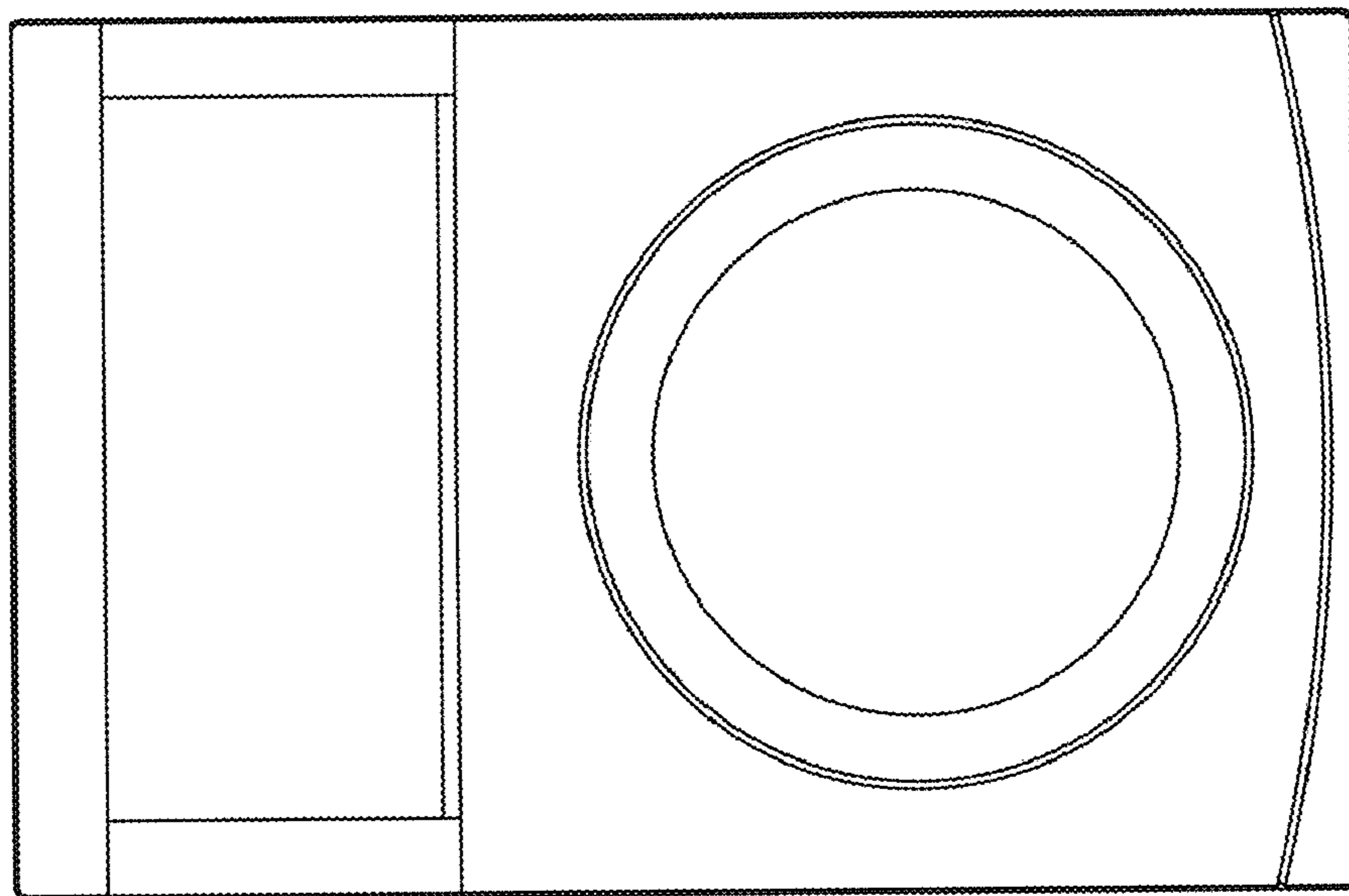


FIG. 9

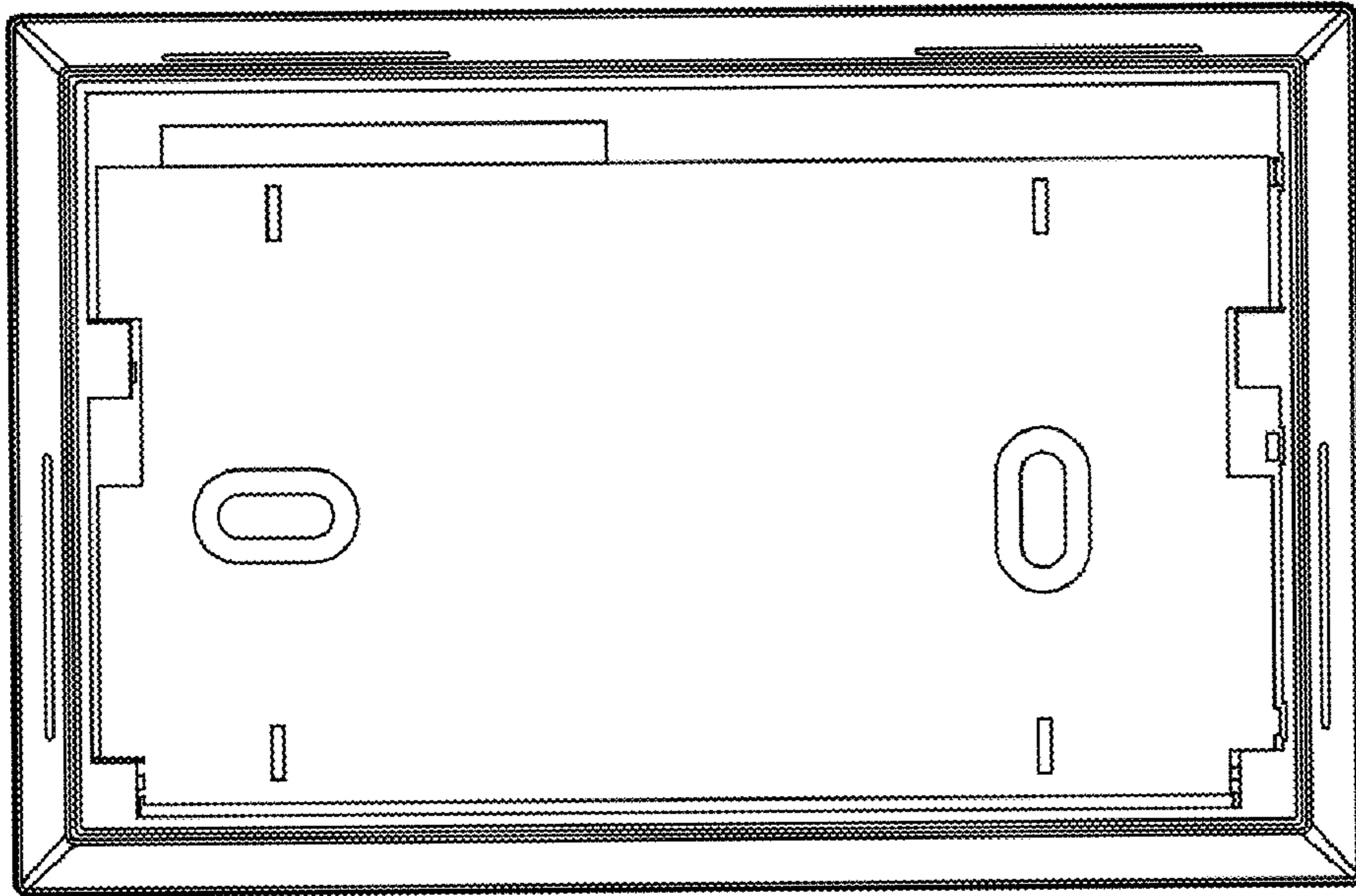


FIG. 10

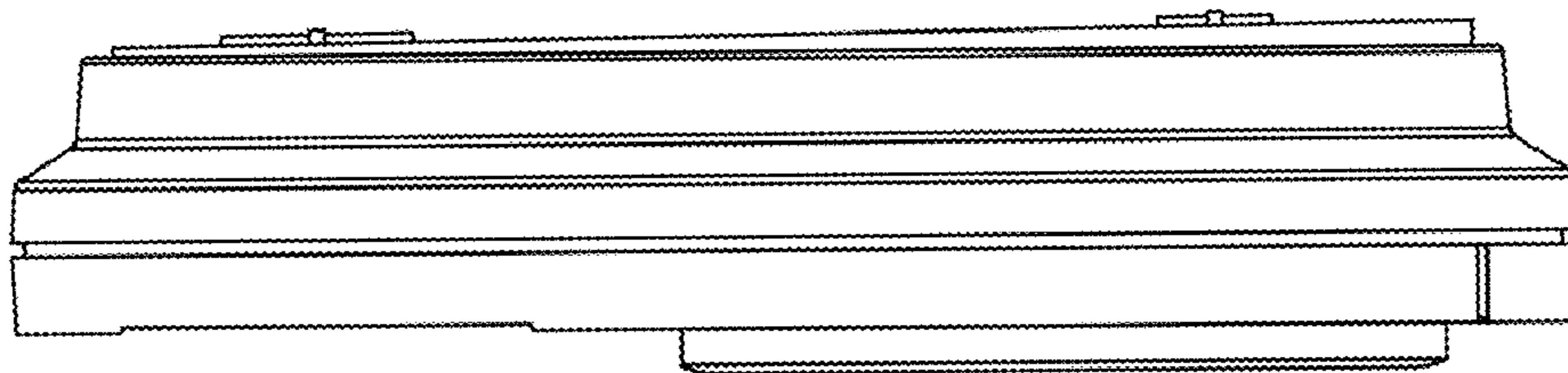


FIG. 11

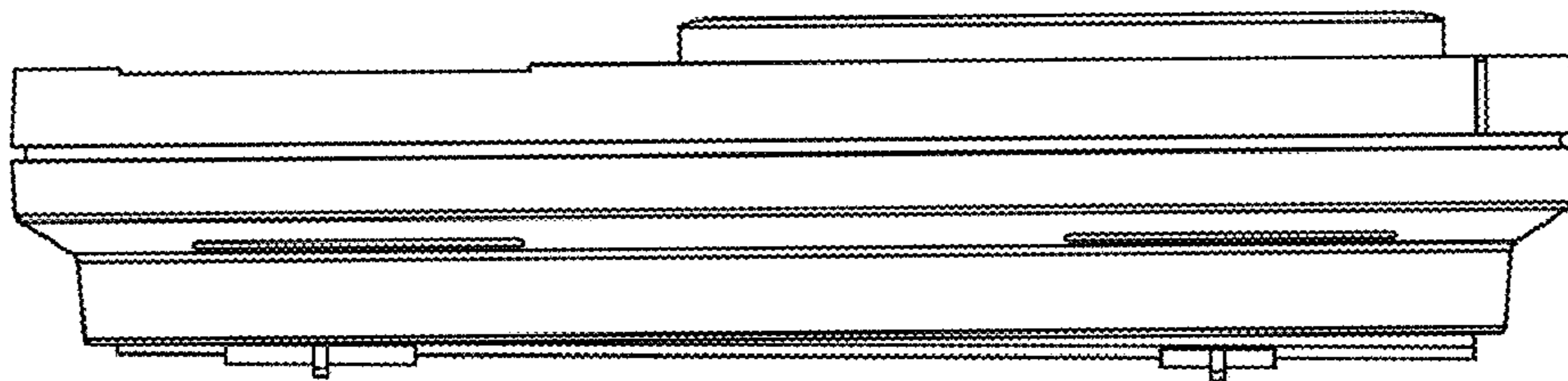


FIG. 12

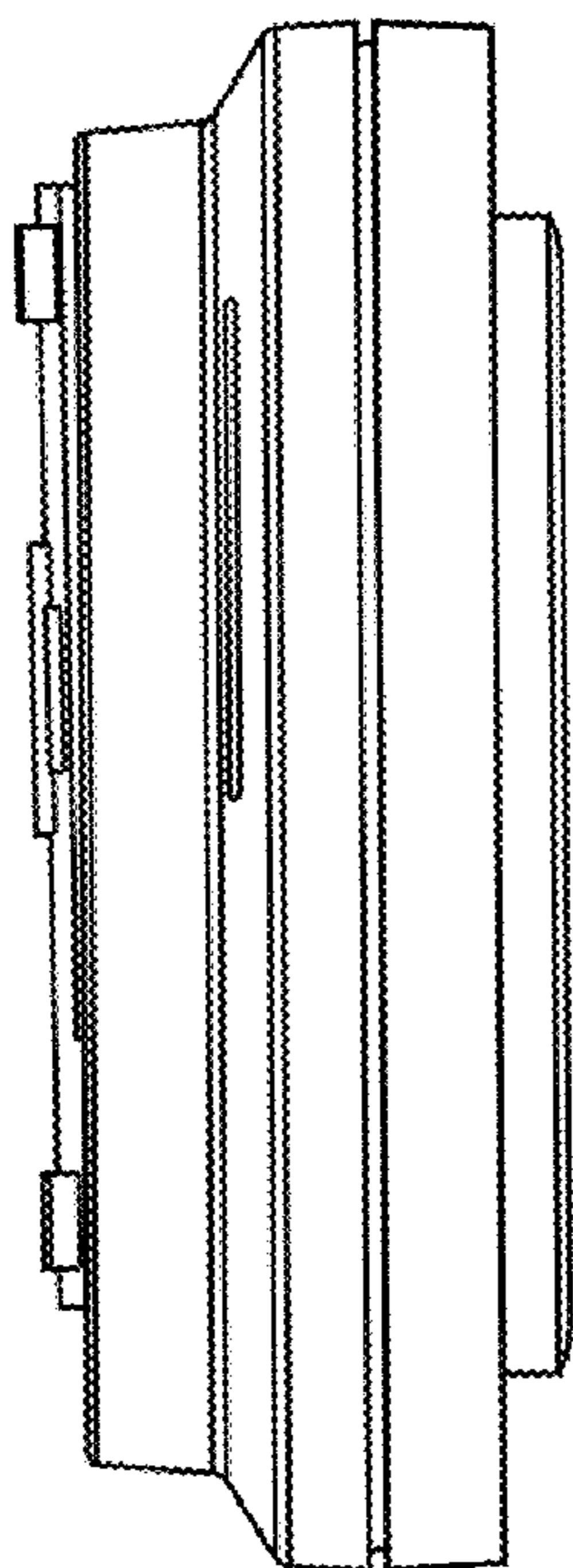


FIG. 13

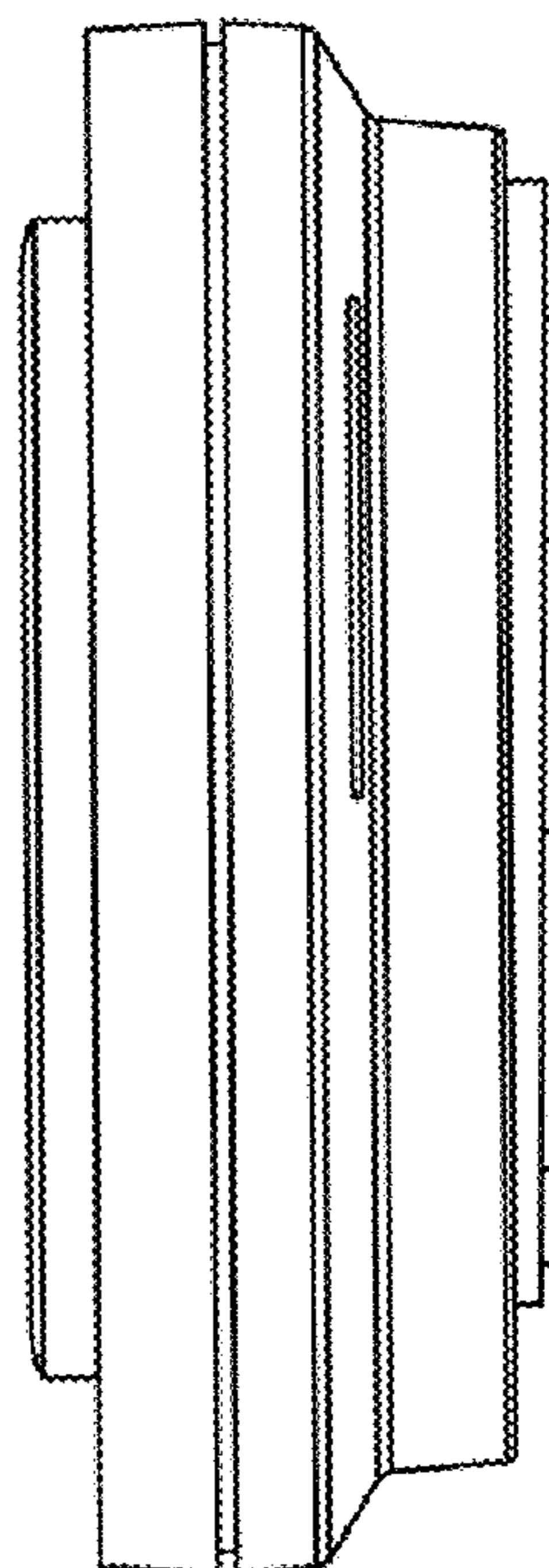


FIG. 14

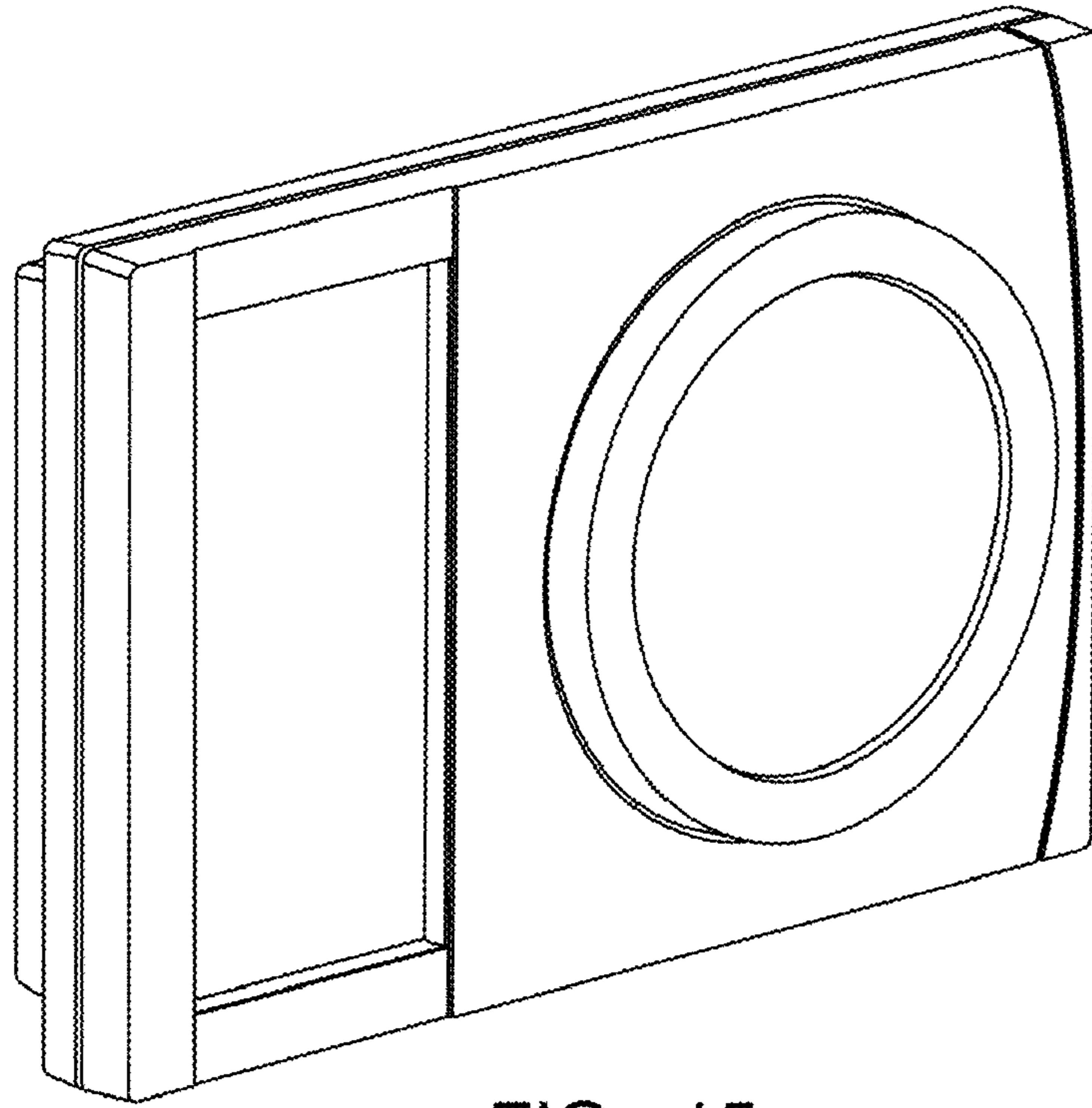


FIG. 15

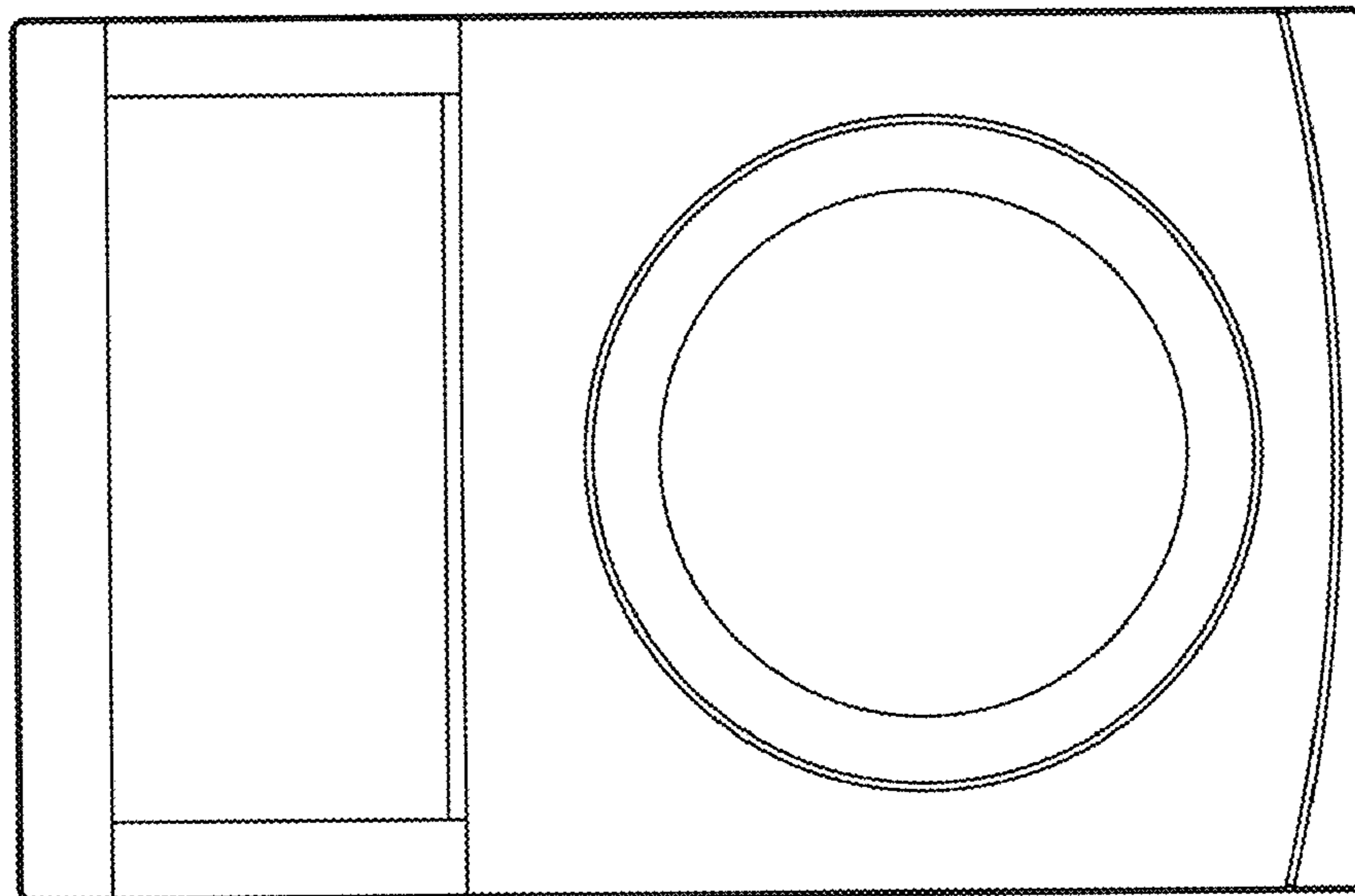


FIG. 16

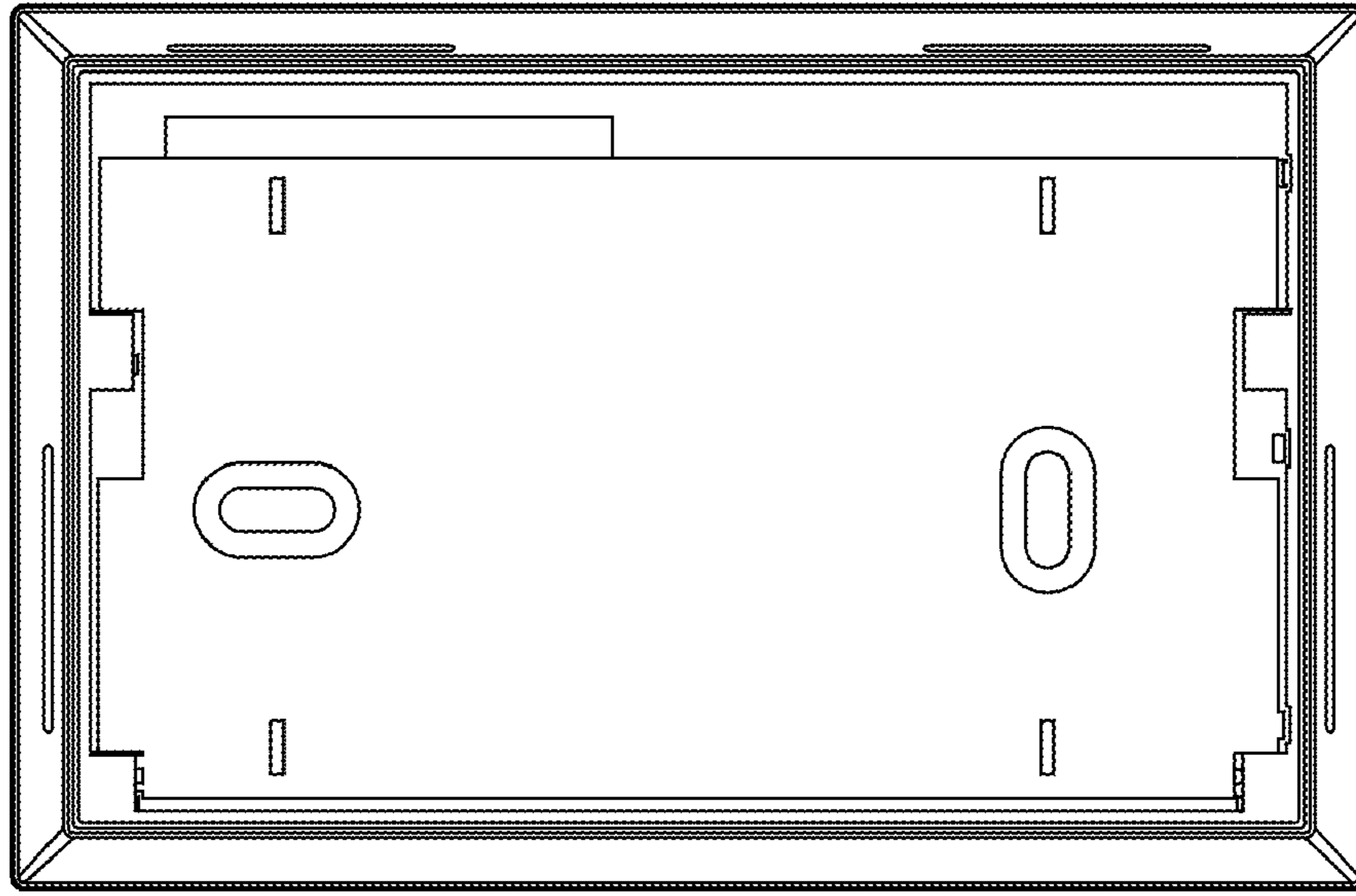


FIG. 17

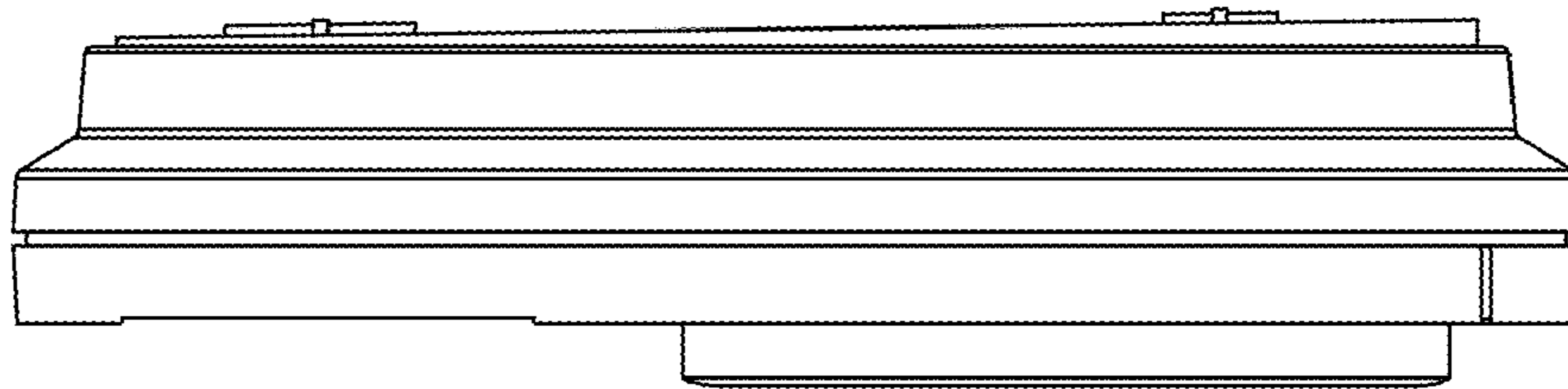


FIG. 18

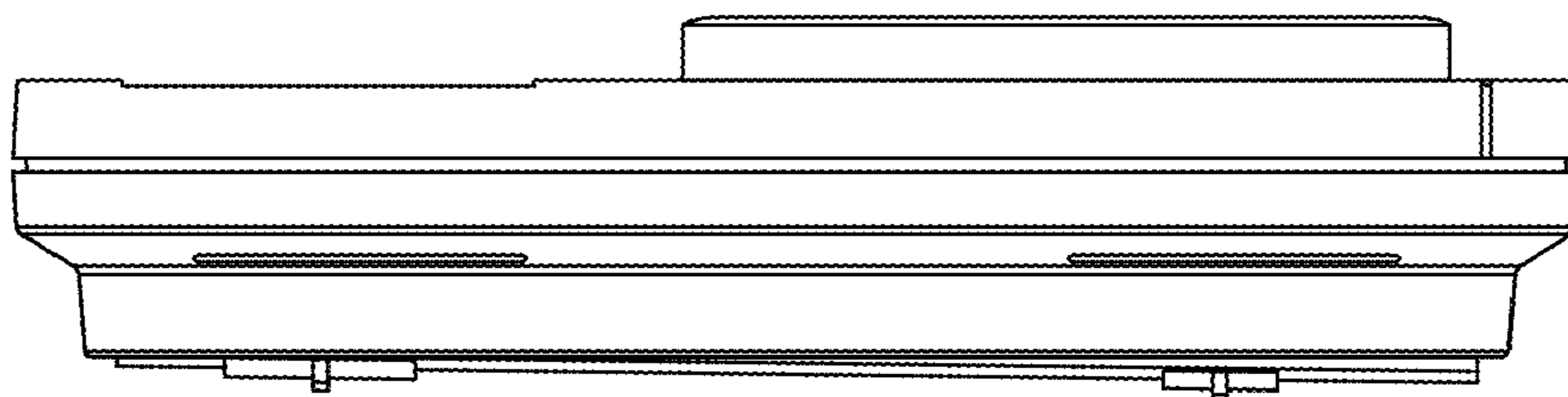


FIG. 19

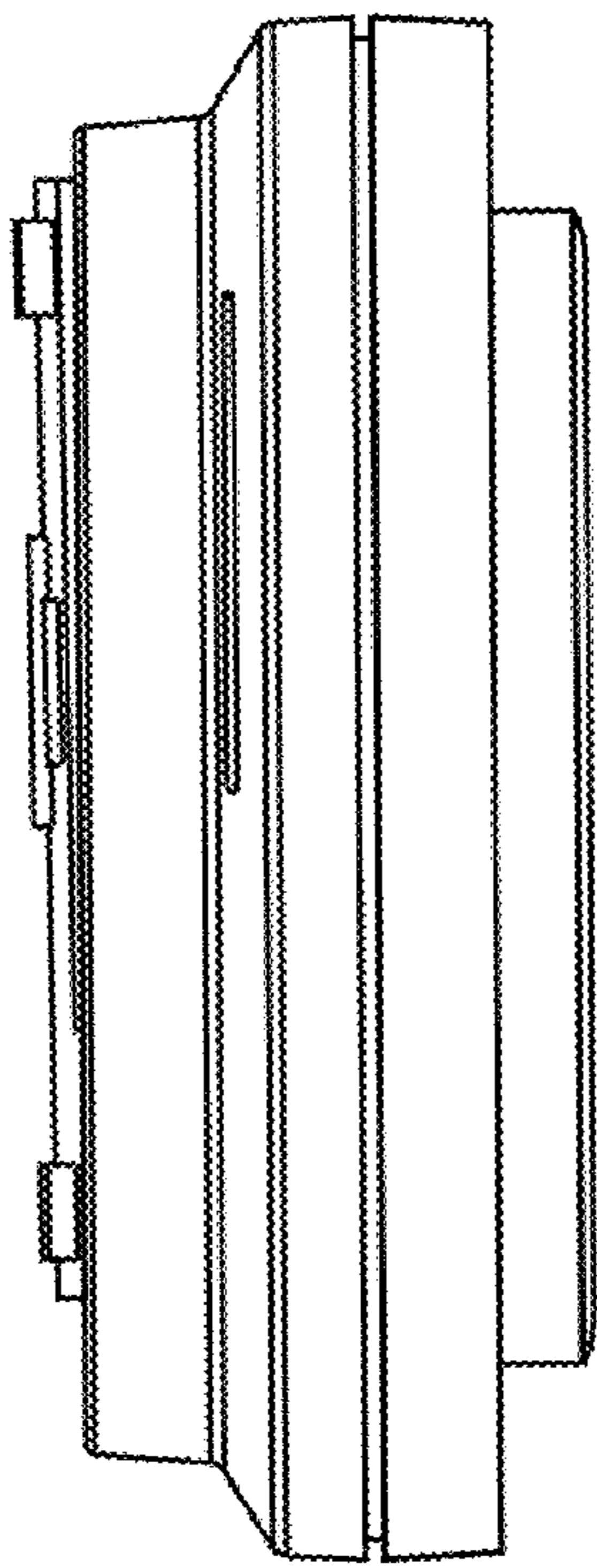


FIG. 20

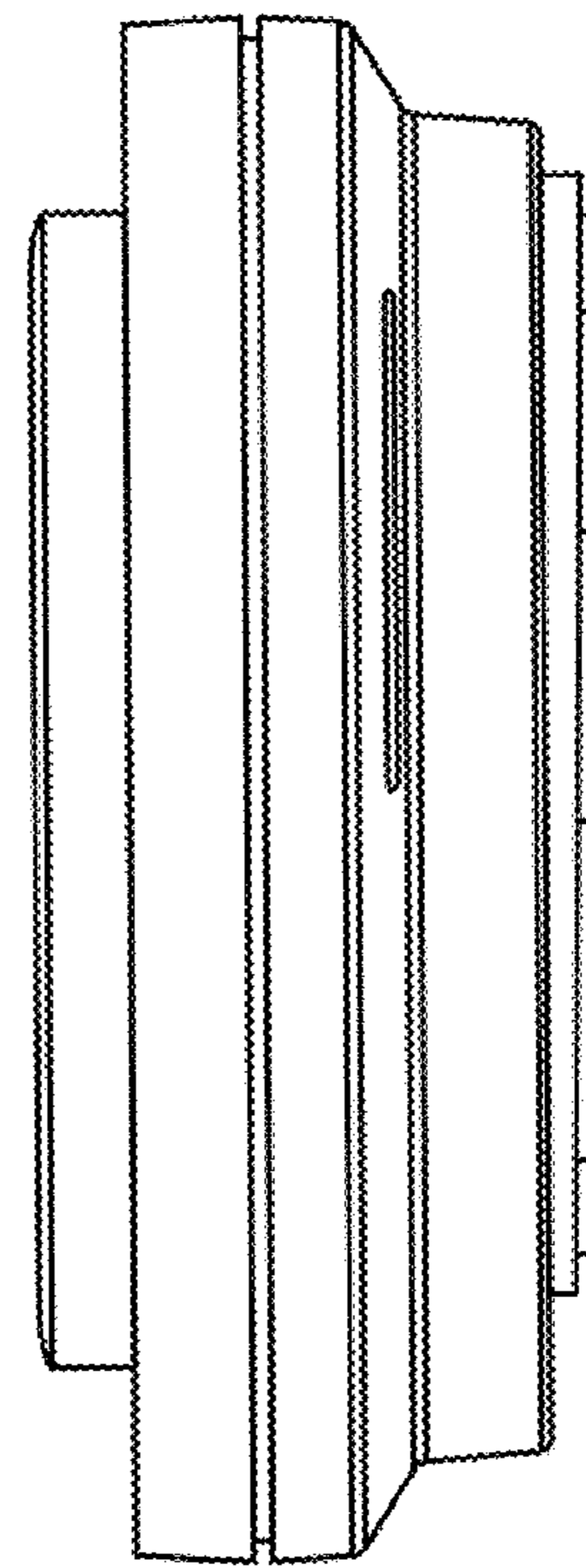


FIG. 21