



US00D614974S

(12) **United States Design Patent**
Golberg et al.

(10) **Patent No.:** **US D614,974 S**

(45) **Date of Patent:** **** May 4, 2010**

(54) **TEMPERATURE MONITOR**

(76) Inventors: **Wayne C. Golberg**, 328 Ponozzo Rd.,
Iron River, MI (US) 49935; **Spring R.**
Golberg, 328 Ponozzo Rd., Iron River,
MI (US) 49935

(**) Term: **14 Years**

(21) Appl. No.: **29/316,456**

(22) Filed: **Sep. 29, 2009**

(51) **LOC (9) Cl.** **10-04**

(52) **U.S. Cl.** **D10/50**

(58) **Field of Classification Search** D10/49-50;
236/5, 46 R-46 F, 47, 49.3, 51, 84, 94; 340/7.21-7.24,
340/7.32, 825.6, 825.72, 539.1, 539.11, 539.14,
340/539.21, 539.26, 426.21, 584, 589, 870.17;
374/167; 400/485; 455/420, 226.1

See application file for complete search history.

(56) **References Cited**

U.S. PATENT DOCUMENTS

- D356,511 S * 3/1995 Zeutzus D10/49
- 6,116,512 A 9/2000 Dushane et al.
- 6,378,315 B1 4/2002 Gelber et al.
- 7,444,401 B1 10/2008 Keyghobad et al.

7,469,550 B2 12/2008 Chapman et al.

* cited by examiner

Primary Examiner—Antoine D Davis

(74) *Attorney, Agent, or Firm*—Paul R. Martin

(57) **CLAIM**

The ornamental design for a temperature monitor, as shown and described.

DESCRIPTION

FIG. 1 is a perspective view of the temperature monitor of this invention.

FIG. 2 is a top plan view of the temperature monitor shown in FIG. 1.

FIG. 3 is a left side elevational view of the temperature monitor shown in FIG. 1.

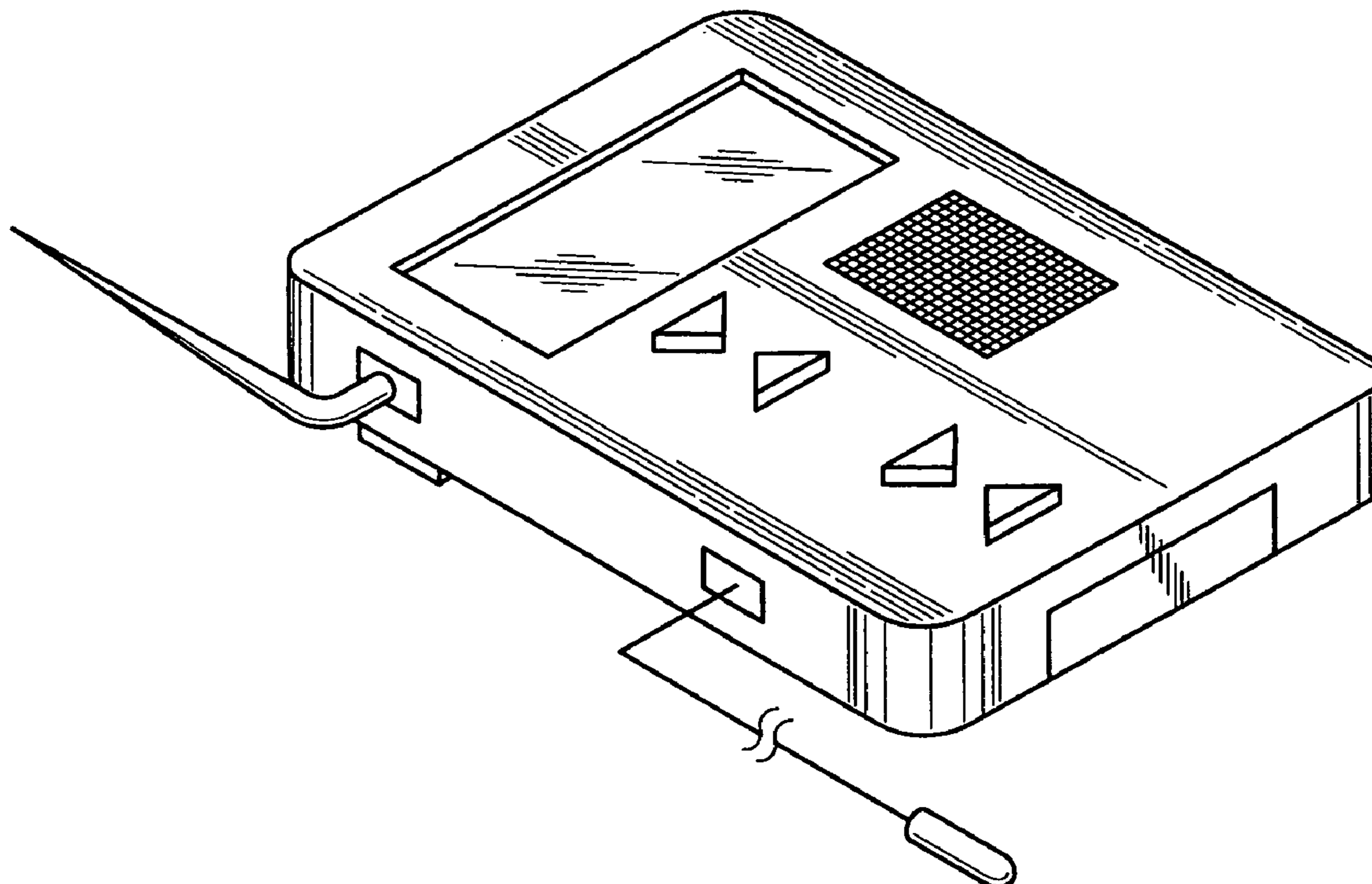
FIG. 4 is a lower end elevational view of the temperature monitor shown in FIG. 1.

FIG. 5 is a bottom plan view of the temperature monitor shown in FIG. 1.

FIG. 6 is a right side elevational view of the temperature monitor shown in FIG. 1; and,

FIG. 7 is an upper end elevational view of the temperature monitor shown in FIG. 1.

1 Claim, 3 Drawing Sheets



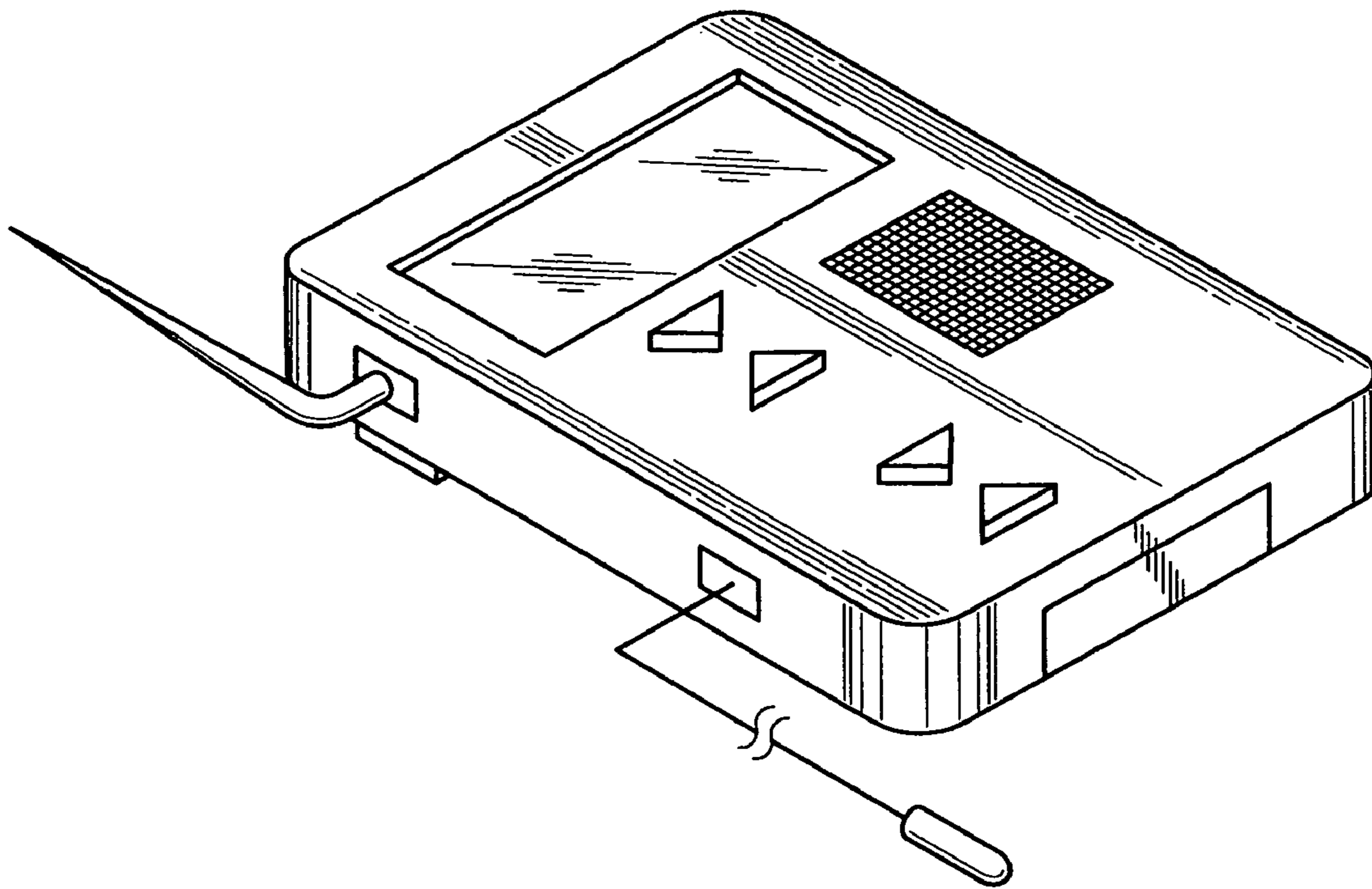


FIG. 1

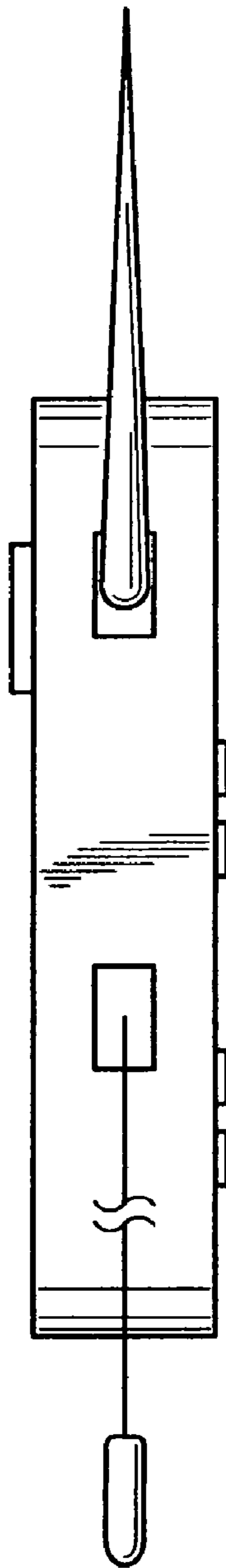


FIG. 3

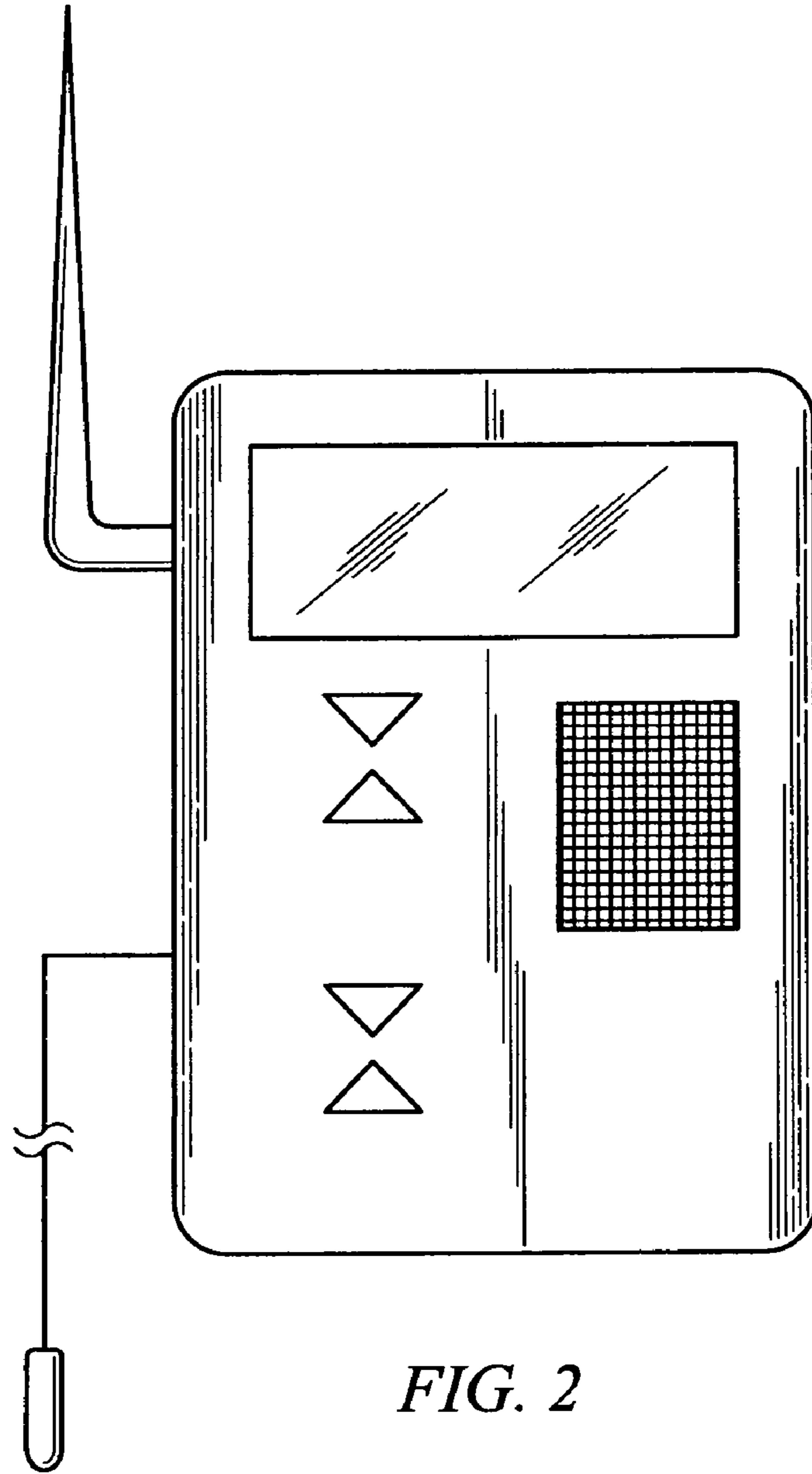


FIG. 2

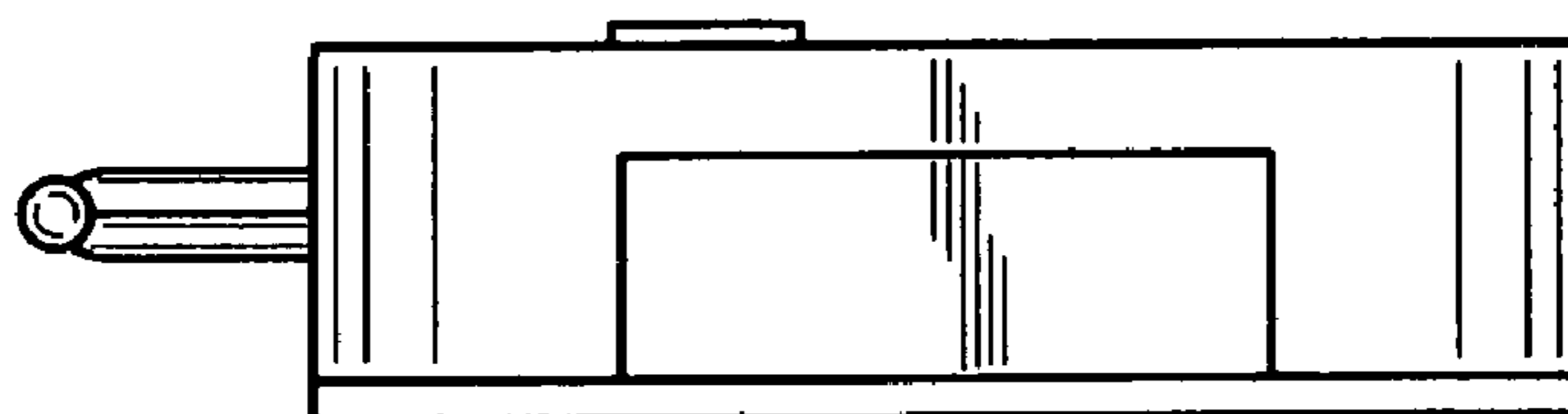


FIG. 4



FIG. 7

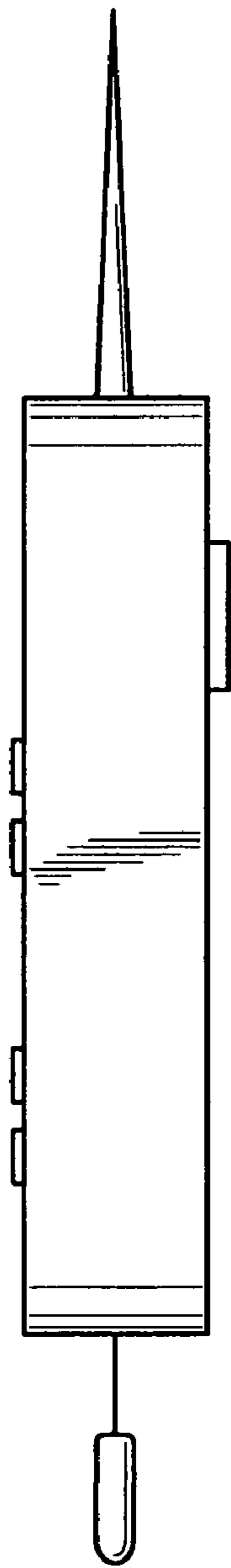


FIG. 6

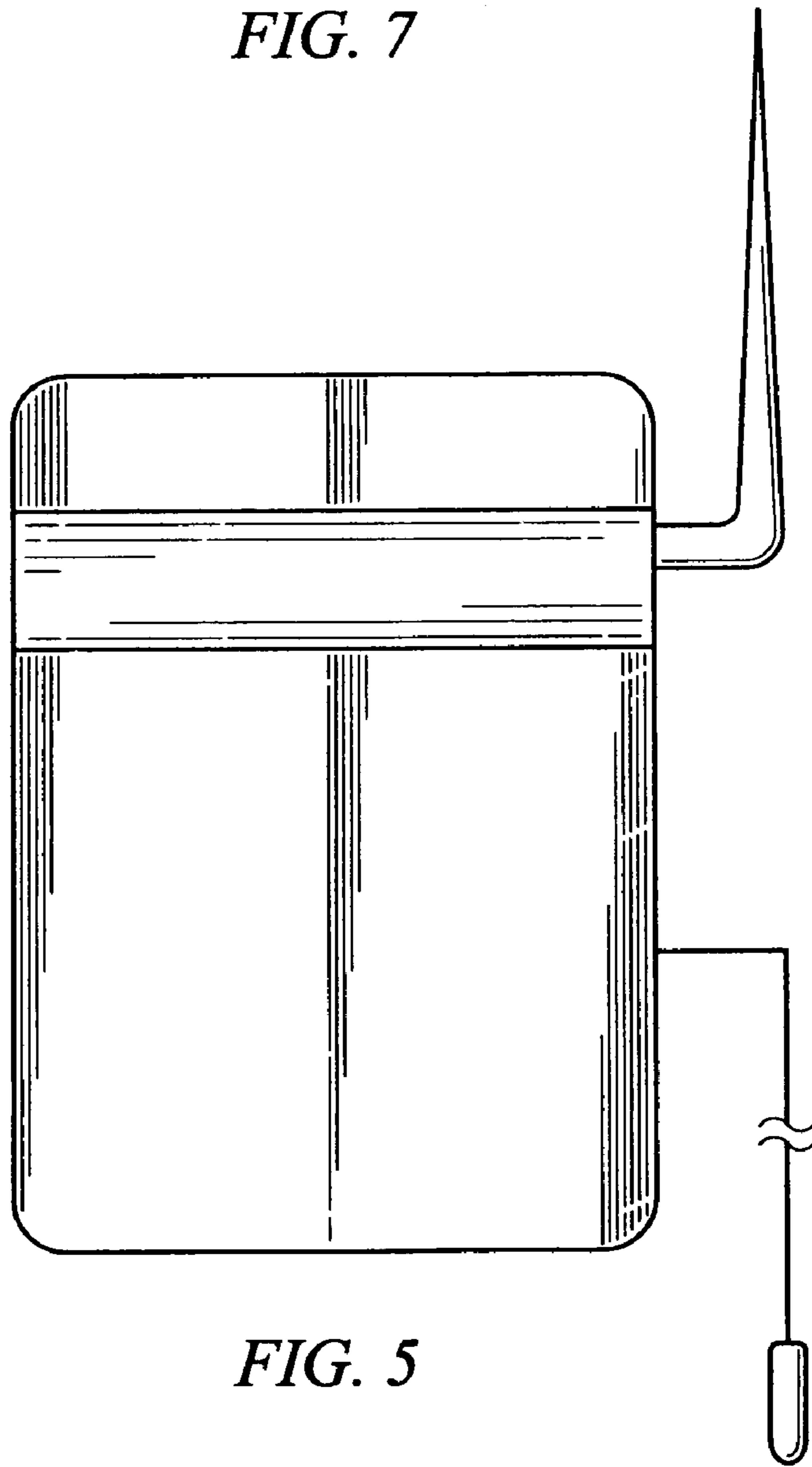


FIG. 5