



US00D614954S

(12) **United States Design Patent**
Crowell et al.

(10) **Patent No.:** **US D614,954 S**
(45) **Date of Patent:** **** May 4, 2010**

(54) **LID FOR A CONTAINER**

(75) Inventors: **Timothy E. Crowell**, West Bend, WI
(US); **Mikel J. Fishbein**, Mequon, WI
(US)

(73) Assignee: **International Paper**, Memphis, TN
(US)

(**) Term: **14 Years**

(21) Appl. No.: **29/337,479**

(22) Filed: **May 22, 2009**

(51) **LOC (9) Cl.** **09-07**

(52) **U.S. Cl.** **D9/447; D9/449**

(58) **Field of Classification Search** D9/454,
D9/449, 447, 443, 438, 435; D7/608, 510,
D7/396.2, 392.1; 229/906.1; 220/713, 712,
220/711, 270, 254.1–254.9

See application file for complete search history.

(56) **References Cited**

U.S. PATENT DOCUMENTS

D281,758	S	*	12/1985	Trombly	D7/392.1
5,197,624	A		3/1993	Dodaro		
D379,928	S	*	6/1997	Freek et al.	D9/447
5,699,927	A		12/1997	Lane et al.		
6,089,397	A		7/2000	Van Melle		
D467,500	S	*	12/2002	Cudmore et al.	D9/435
6,612,456	B1		9/2003	Hundley et al.		
D493,718	S	*	8/2004	Durdon	D9/435
6,874,649	B2		4/2005	Clarke et al.		
6,929,143	B2		8/2005	Mazzarolo		

D541,651	S	*	5/2007	Hollis et	D9/447
D544,749	S	*	6/2007	Seum et al.	D7/392.1
D570,686	S	*	6/2008	Hollis et al.	D9/447
D572,587	S		7/2008	Rush et al.		
7,484,638	B2		2/2009	Mazzarolo		
D592,952	S	*	5/2009	Hundley et al.	D9/447
2004/0195239	A1		10/2004	Rush et al.		
2005/0051552	A1*		3/2005	Kim	220/254.1
2006/0213908	A1		9/2006	Clarke et al.		
2006/0226148	A1*		10/2006	Hundley et al.	220/254.3

* cited by examiner

Primary Examiner—Susan Bennett Hattan

(74) *Attorney, Agent, or Firm*—Thomas W. Ryan, III

(57) **CLAIM**

The ornamental design for a lid for a container, substantially as shown and described.

DESCRIPTION

FIG. 1 is a perspective view of a lid for a container according to the invention;

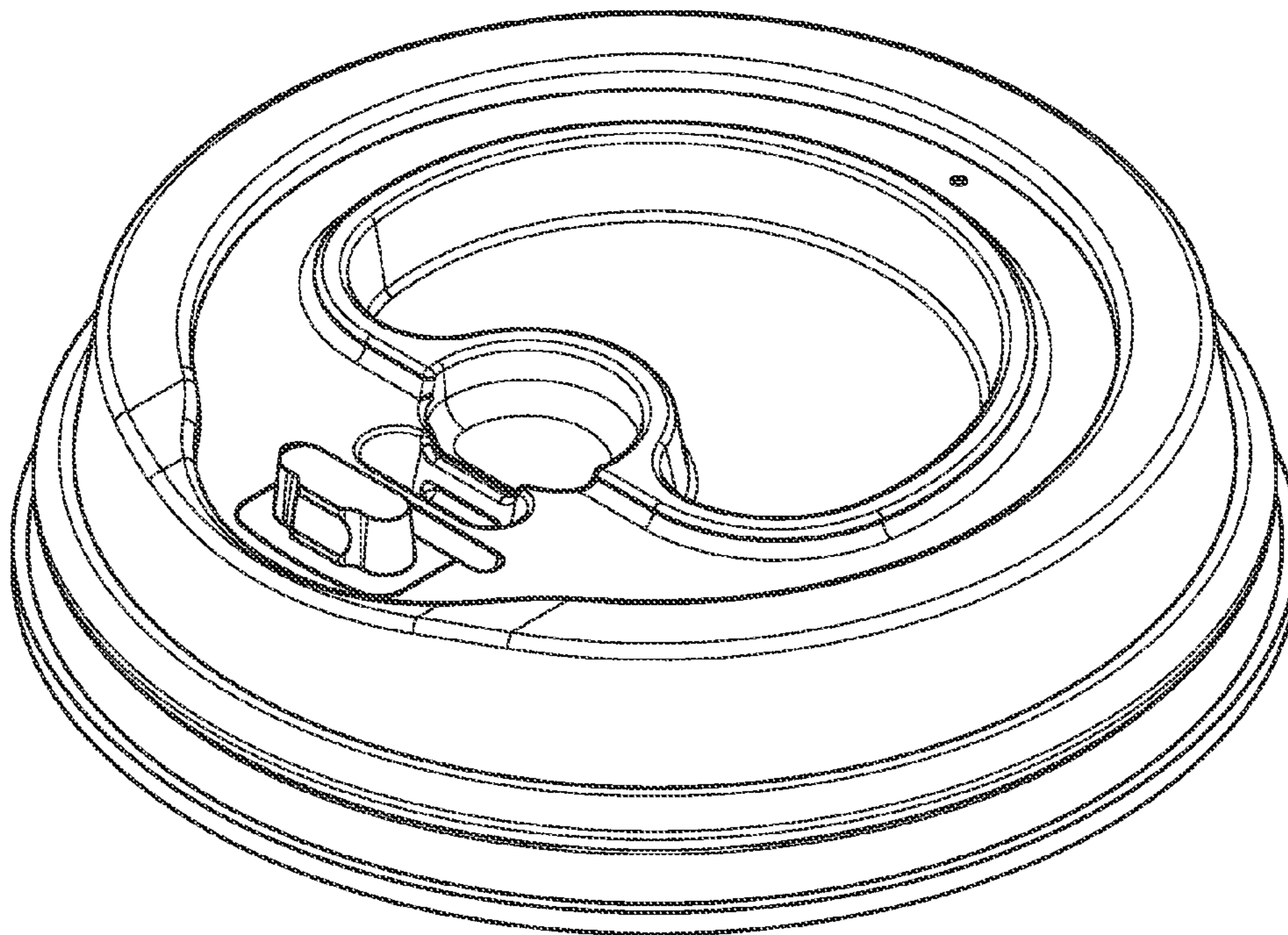
FIG. 2 is a front elevational view of a lid for a container according to the invention;

FIG. 3 is a left side elevational view of a lid for a container according to the invention, the right side elevational view being a mirror image thereof;

FIG. 4 is a top plan view of a lid for a container according to the invention; and,

FIG. 5 is a bottom plan view of a lid for a container according to the invention.

1 Claim, 3 Drawing Sheets



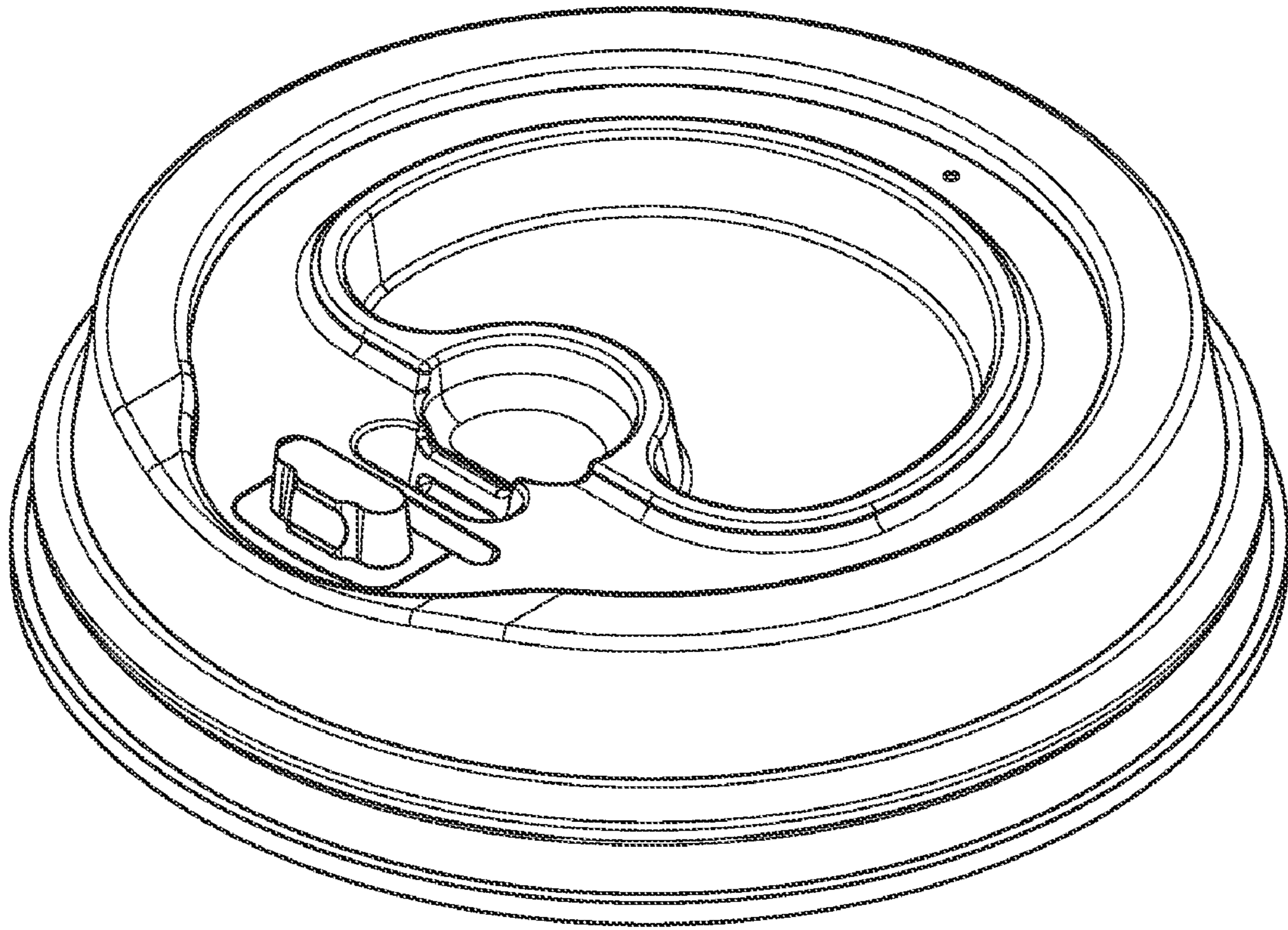


FIG. 1

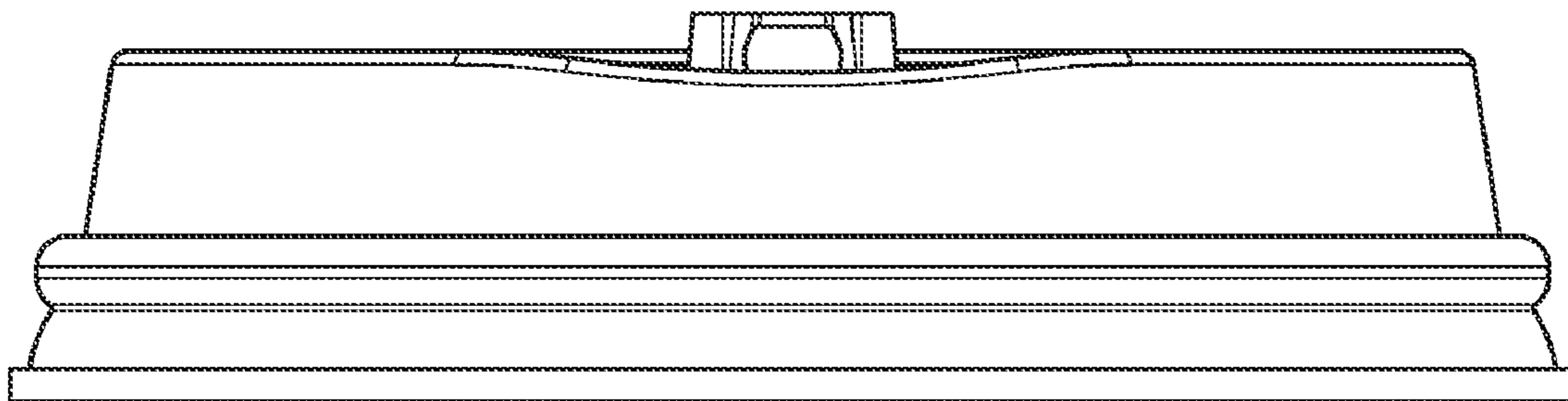


FIG. 2

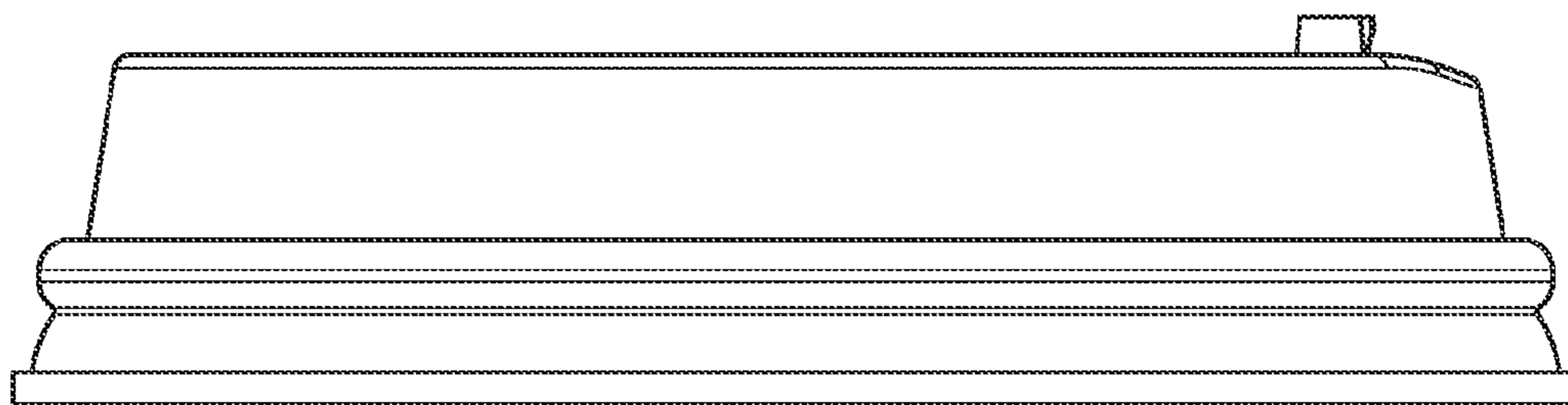


FIG. 3

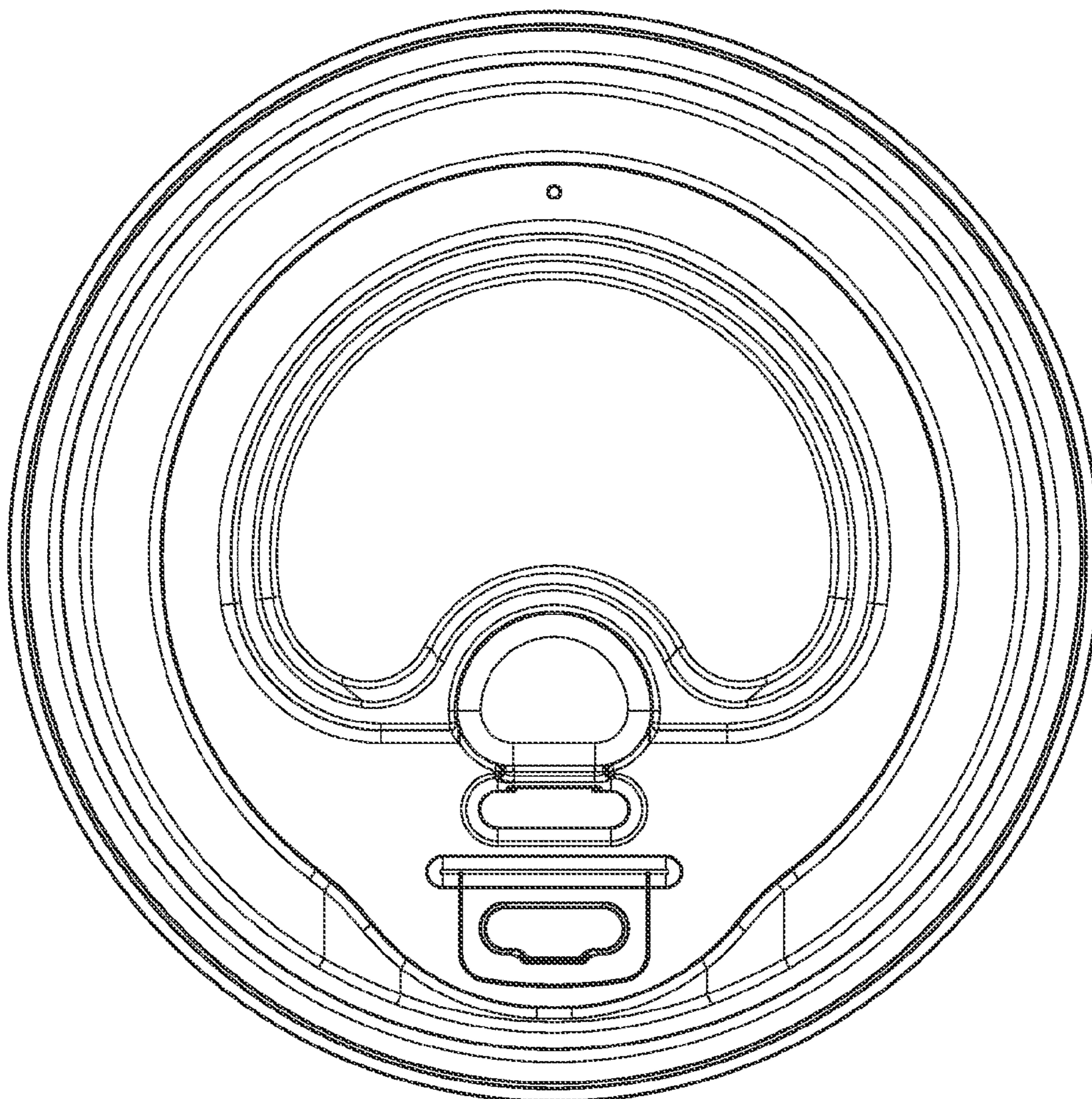


FIG. 4

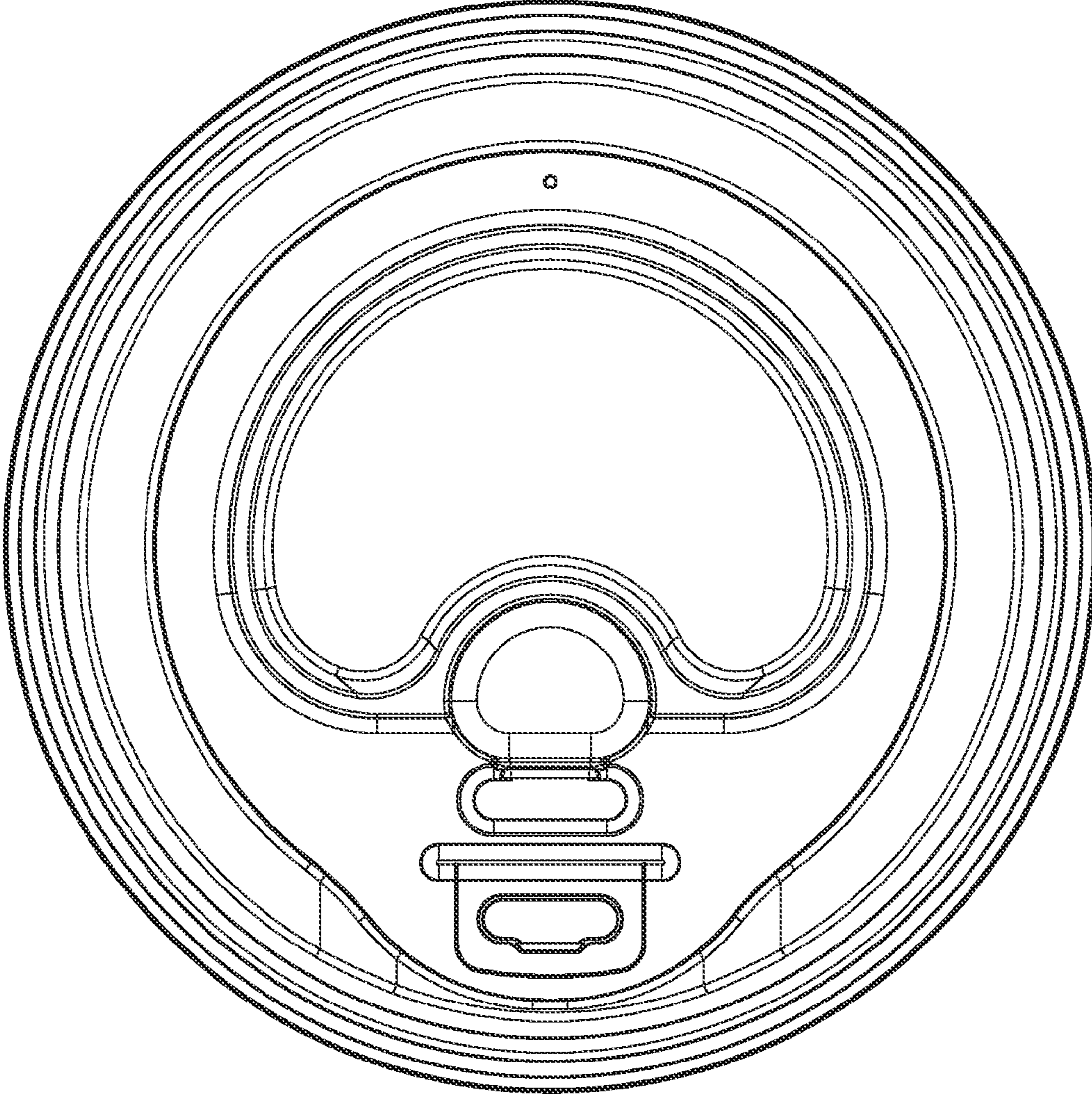


FIG. 5