



US00D614953S

(12) **United States Design Patent**  
**Allen et al.**

(10) **Patent No.:** **US D614,953 S**

(45) **Date of Patent:** **\*\* May 4, 2010**

(54) **MOUNTING HEAD FOR A SPRAY SYSTEM**

D493,865 S \* 8/2004 Williams ..... D23/213  
D494,865 S \* 8/2004 Taylor ..... D9/434

(75) Inventors: **Ian Allen**, New South Wales (AU);  
**Geoff George**, New South Wales (AU)

\* cited by examiner

(73) Assignee: **DataDot Technology Limited**, New  
South Wales (AU)

*Primary Examiner*—Robin V Webster

(74) *Attorney, Agent, or Firm*—Harness, Dickey & Pierce,  
P.L.C.

(\*\*) Term: **14 Years**

(57) **CLAIM**

(21) Appl. No.: **29/271,351**

The ornamental design for a mounting head for a spray system, as shown and described.

(22) Filed: **Jan. 16, 2007**

(30) **Foreign Application Priority Data**

Jul. 20, 2006 (AU) ..... 13126/06

**DESCRIPTION**

(51) **LOC (9) Cl.** ..... **09-07**

FIG. 1 is a perspective view of a mounting head for a spray system comprising a propellant canister and a container for product to be dispensed;

(52) **U.S. Cl.** ..... **D9/443; D9/447**

FIG. 2 is an underneath perspective view of the mounting head for a spray system;

(58) **Field of Classification Search** ..... D23/213,  
D23/225; D9/434, 435, 447, 448, 499, 443;  
239/302, 333, 308, 332; 222/153.11, 402.11,  
222/402.13, 402.15

FIG. 3 is a top view of the mounting head for a spray system;

FIG. 4 is an underneath view of the mounting head for a spray system;

See application file for complete search history.

FIG. 5 is a front view of the mounting head for a spray system; and,

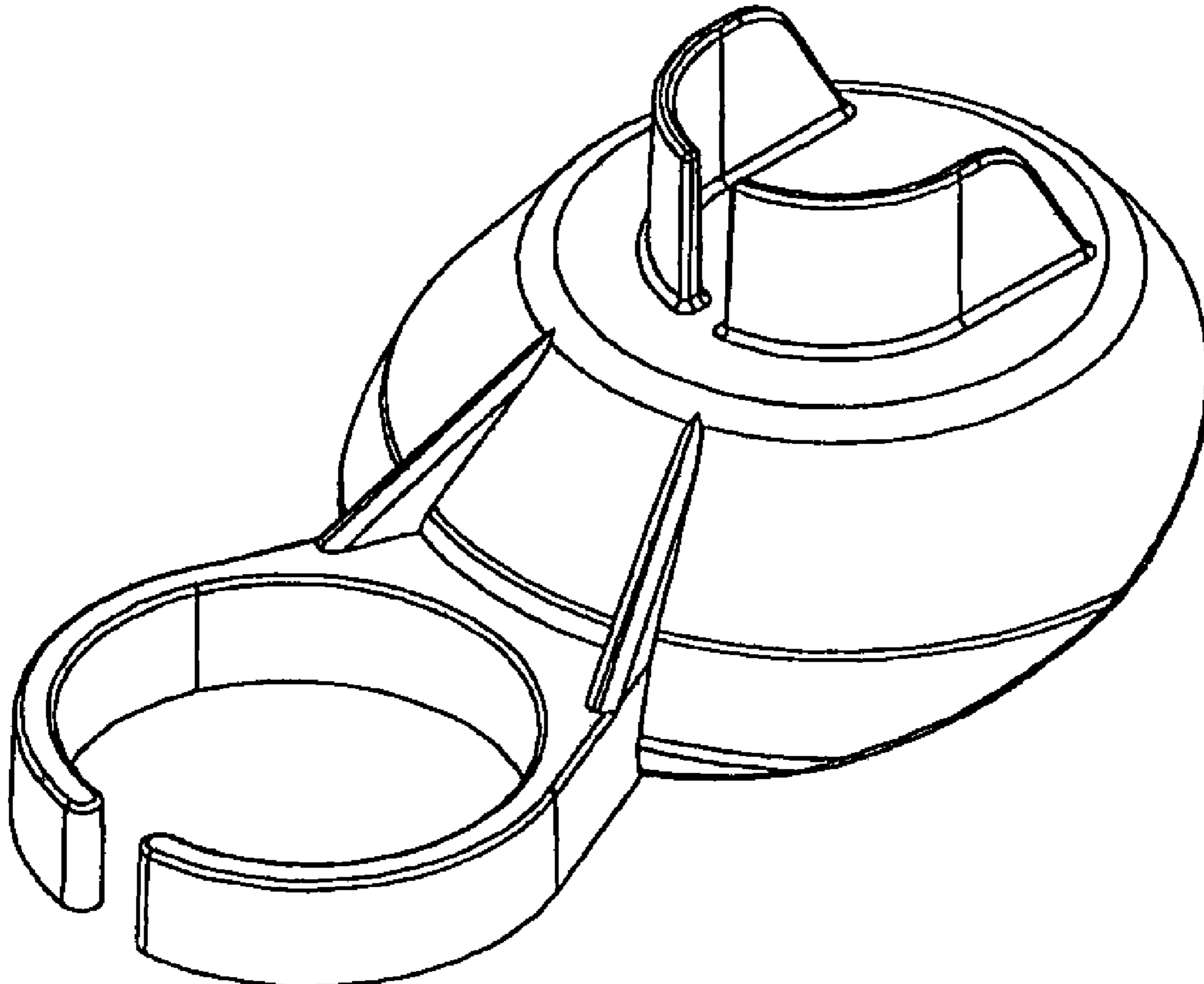
(56) **References Cited**

**U.S. PATENT DOCUMENTS**

3,085,752 A \* 4/1963 Drell ..... 239/308  
3,358,669 A \* 12/1967 Schibley ..... 126/37 R  
D493,366 S \* 7/2004 Rackwitz ..... D9/435

FIG. 6 is a view of the mounting head for a spray system from one side, the opposite side to that shown being a substantial mirror image.

**1 Claim, 3 Drawing Sheets**



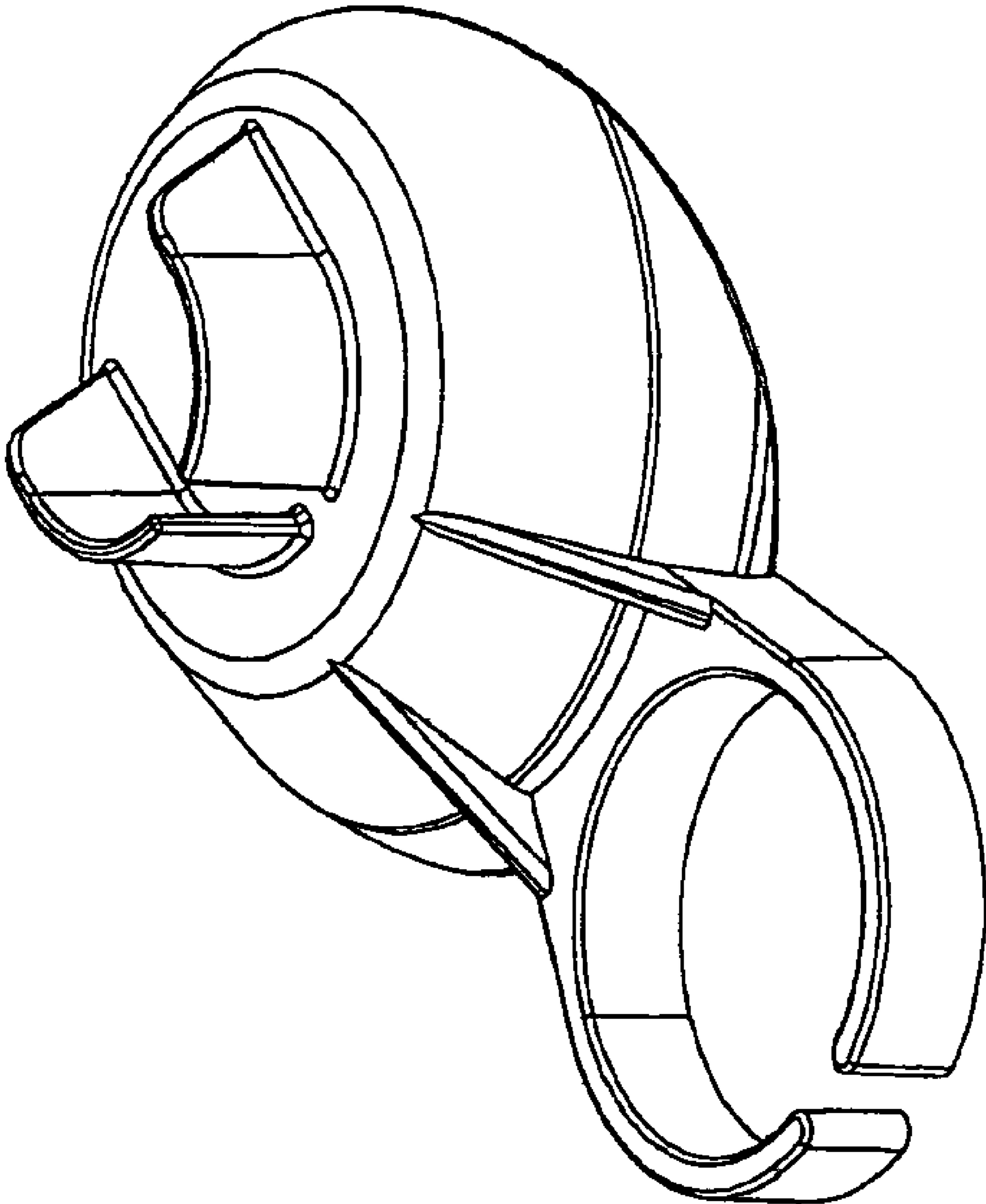


FIG. 1

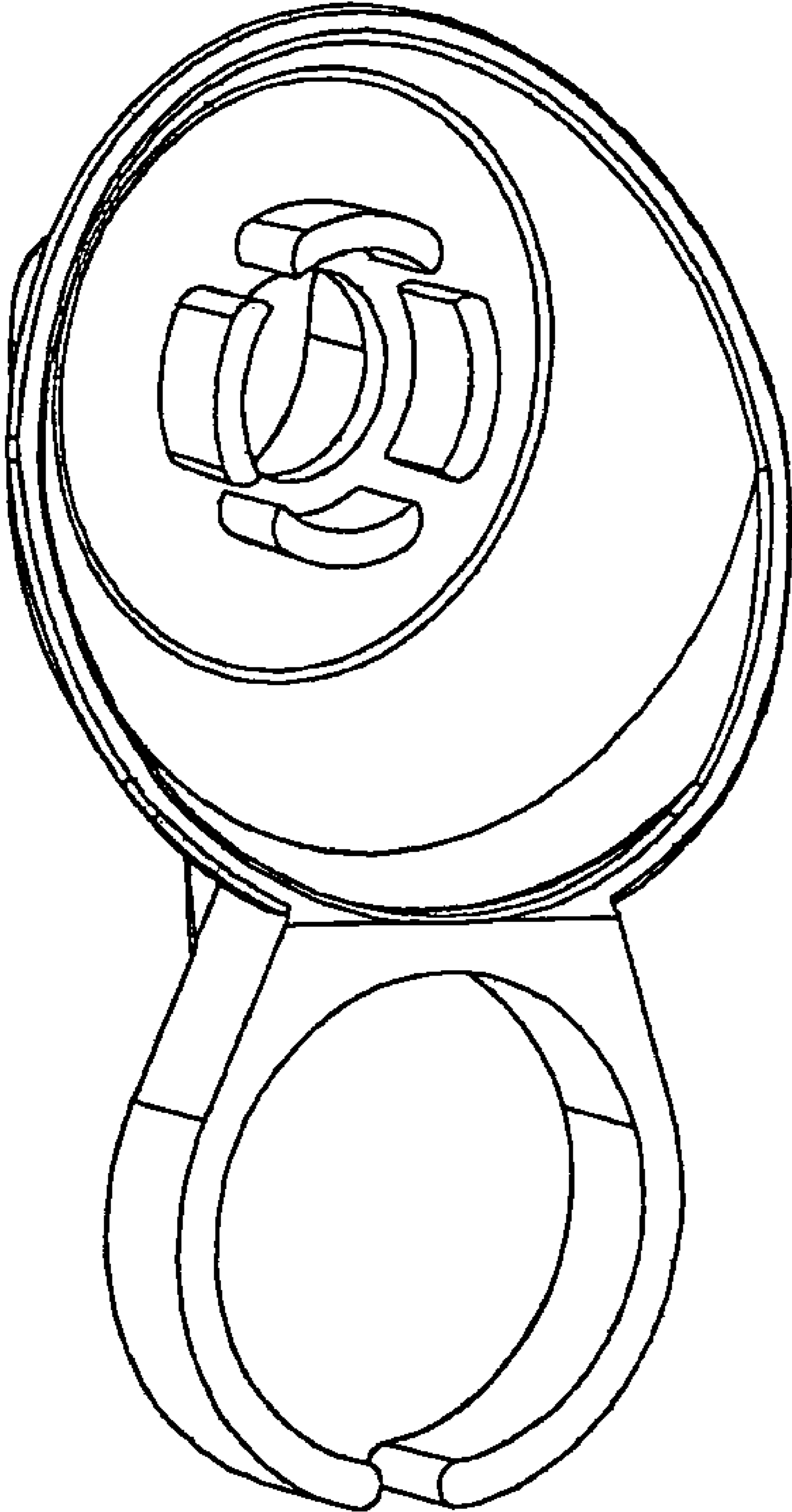


FIG. 2

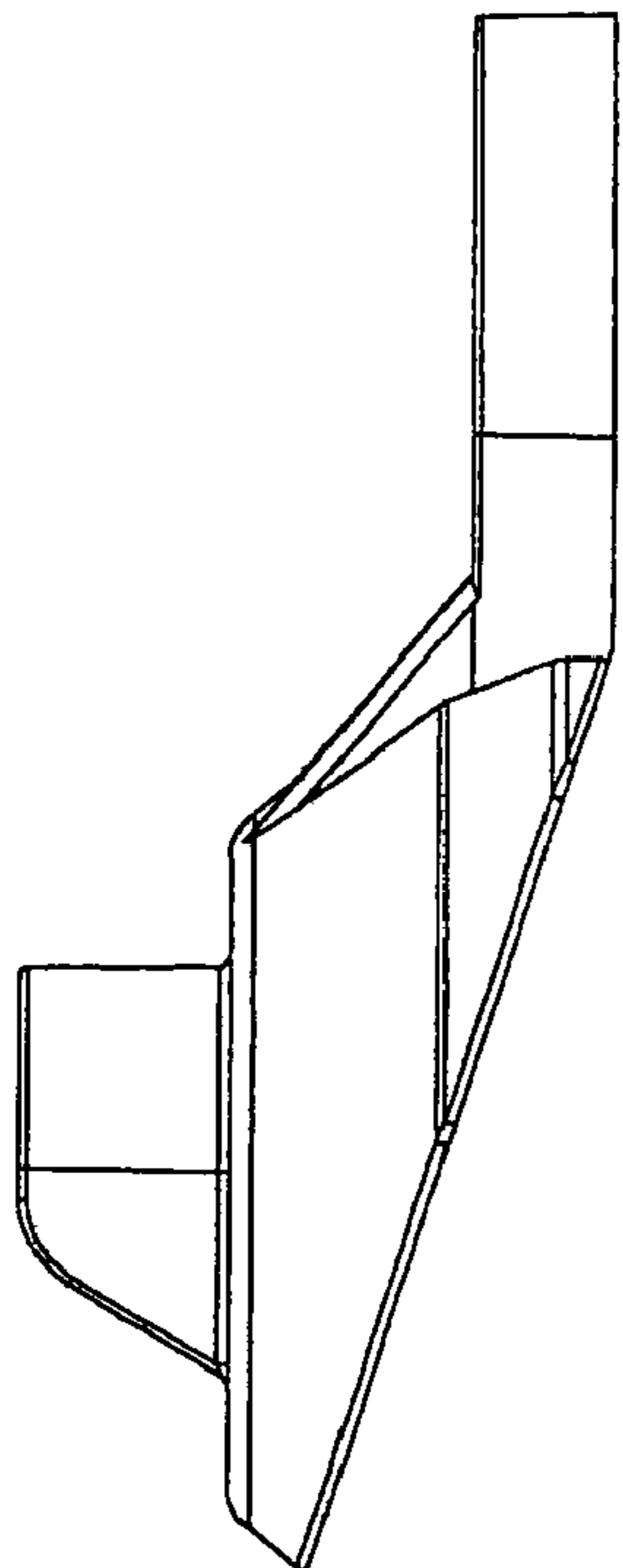


FIG. 6

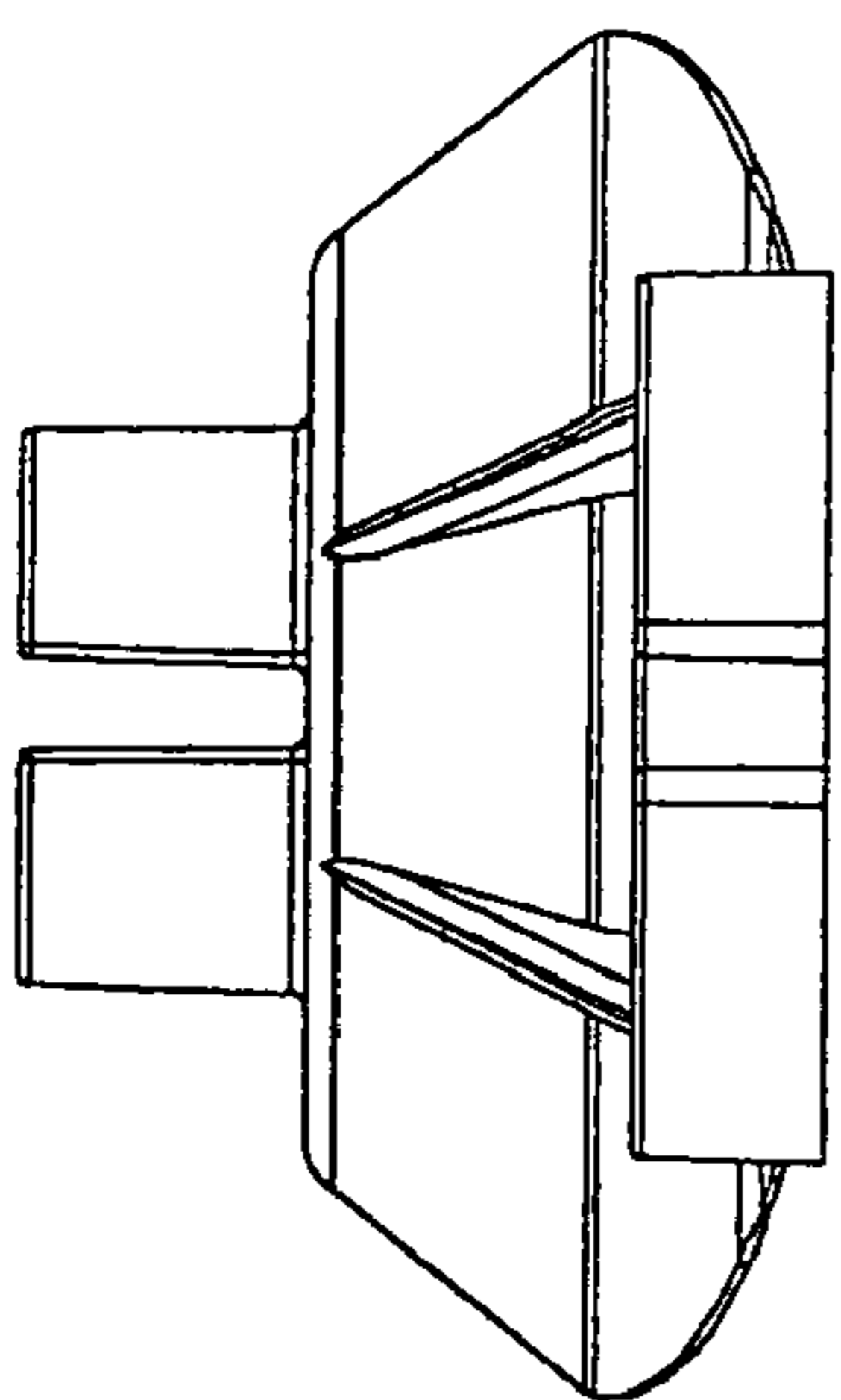


FIG. 5

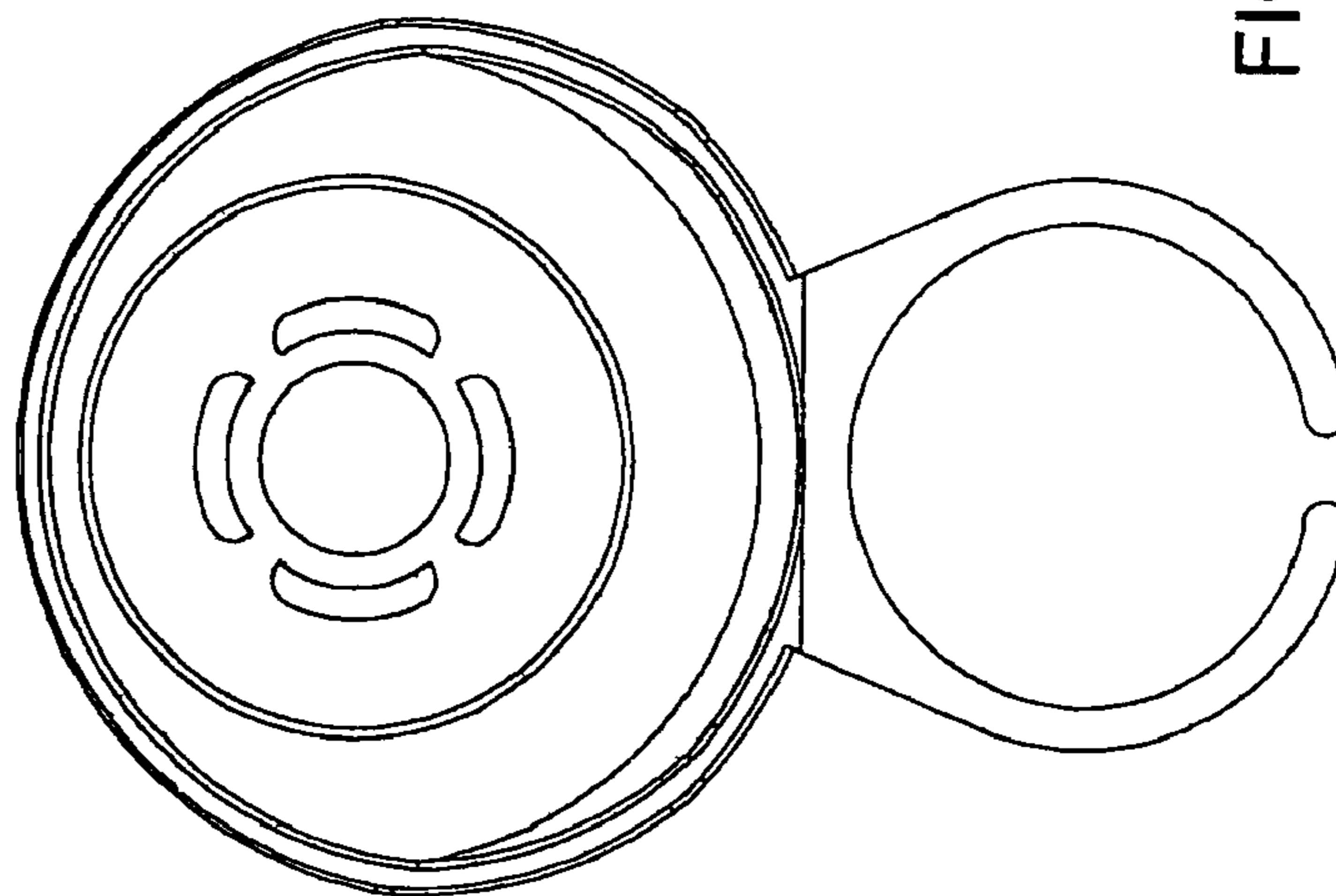


FIG. 4

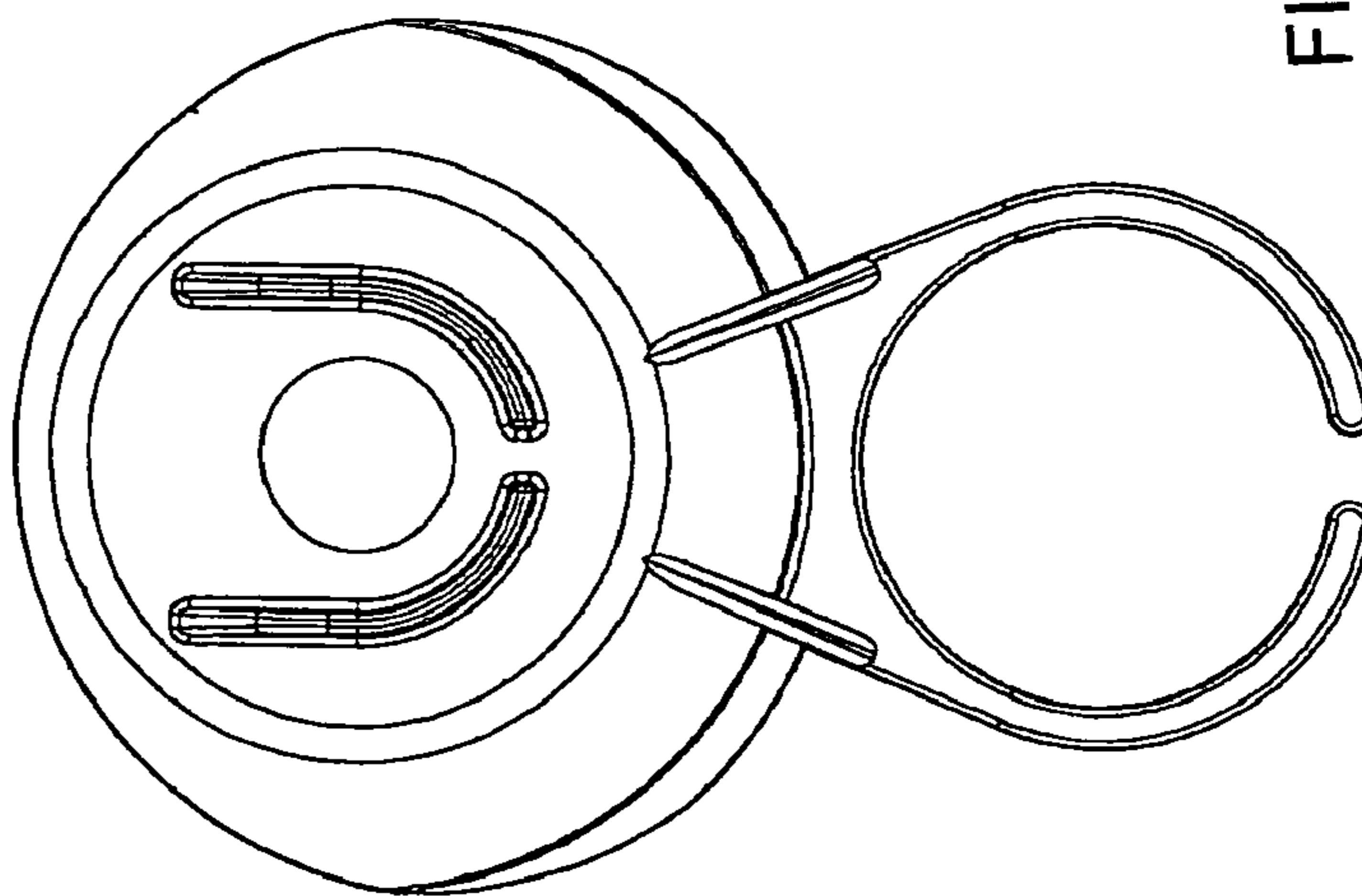


FIG. 3