



US00D614949S

(12) **United States Design Patent**  
**Schmidt**

(10) **Patent No.:** **US D614,949 S**

(45) **Date of Patent:** **\*\* May 4, 2010**

(54) **CONTAINER**

(75) Inventor: **Guido Schmidt**, Dinklage (DE)

(73) Assignee: **Poeppelmann Holding GmbH & Co. KG**, Lohne (DE)

(\*\*) Term: **14 Years**

(21) Appl. No.: **29/332,553**

(22) Filed: **Feb. 19, 2009**

(30) **Foreign Application Priority Data**

Aug. 19, 2008 (EM) ..... 000988647-0005

(51) **LOC (9) Cl.** ..... **09-03**

(52) **U.S. Cl.** ..... **D9/424**

(58) **Field of Classification Search** ..... D9/424,  
D9/414, 419, 425, 430, 431, 432, 435; D3/276;  
D7/601-603, 605, 629; 206/508; 220/23.4,  
220/23.6, 266, 281, 315, 318, 659, 696, 752,  
220/760, 790, 793; 229/105, 117.09, 117.26,  
229/189, 406

See application file for complete search history.

(56) **References Cited**

**U.S. PATENT DOCUMENTS**

1,707,528 A \* 4/1929 La Bombard et al. .. 229/117.26  
2,606,586 A \* 8/1952 Hill ..... 220/802  
D194,639 S \* 2/1963 Szantay ..... D7/605  
3,958,359 A \* 5/1976 Doughty ..... 43/55  
D248,215 S \* 6/1978 Cherry ..... D9/418  
D311,334 S \* 10/1990 Flynn et al. .... D9/424  
5,090,309 A \* 2/1992 Lai ..... 100/226  
D328,508 S \* 8/1992 Crutchfield ..... D34/1

D331,317 S \* 12/1992 Tsai ..... D3/281  
D351,765 S \* 10/1994 Beeler et al. .... D7/629  
5,377,858 A \* 1/1995 Morris, Sr. .... 220/254.8  
D358,328 S \* 5/1995 Huerto et al. .... D9/435  
D362,180 S \* 9/1995 Haines ..... D9/424  
5,535,914 A \* 7/1996 Badalamenti et al. .... 220/495.1  
D411,741 S \* 6/1999 Wilson et al. .... D9/425  
D418,056 S \* 12/1999 Johnson ..... D9/431  
D420,252 S \* 2/2000 Loew et al. .... D7/392.1  
D448,969 S \* 10/2001 Conti ..... D7/392.1  
D454,785 S \* 3/2002 Nance ..... D9/424  
D466,372 S \* 12/2002 Hunter ..... D7/605  
D503,534 S \* 4/2005 Dong ..... D3/276

\* cited by examiner

*Primary Examiner*—Prabhakar Deshmukh

*Assistant Examiner*—Derrick Holland

(74) *Attorney, Agent, or Firm*—Porter, Wright, Morris & Arthur, LLP

(57) **CLAIM**

The ornamental design for a container, as shown and described.

**DESCRIPTION**

FIG. 1 is a perspective view of a container showing my new design;

FIG. 2 is second perspective view thereof;

FIG. 3 is a third perspective view thereof;

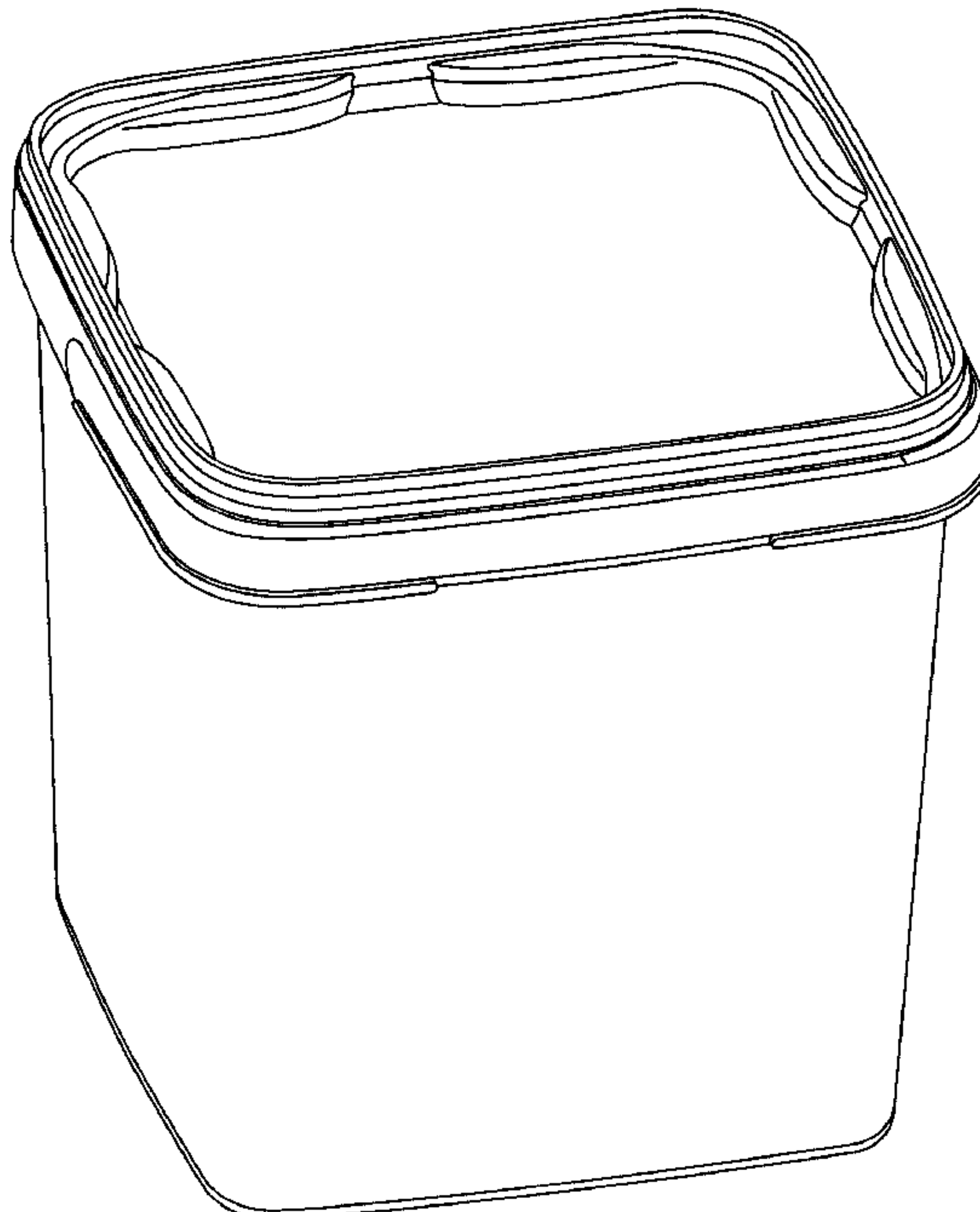
FIG. 4 is a top plan view thereof;

FIG. 5 is a front elevation view thereof;

FIG. 6 is a right side elevation view thereof; and,

FIG. 7 is a left side elevation view thereof.

**1 Claim, 7 Drawing Sheets**



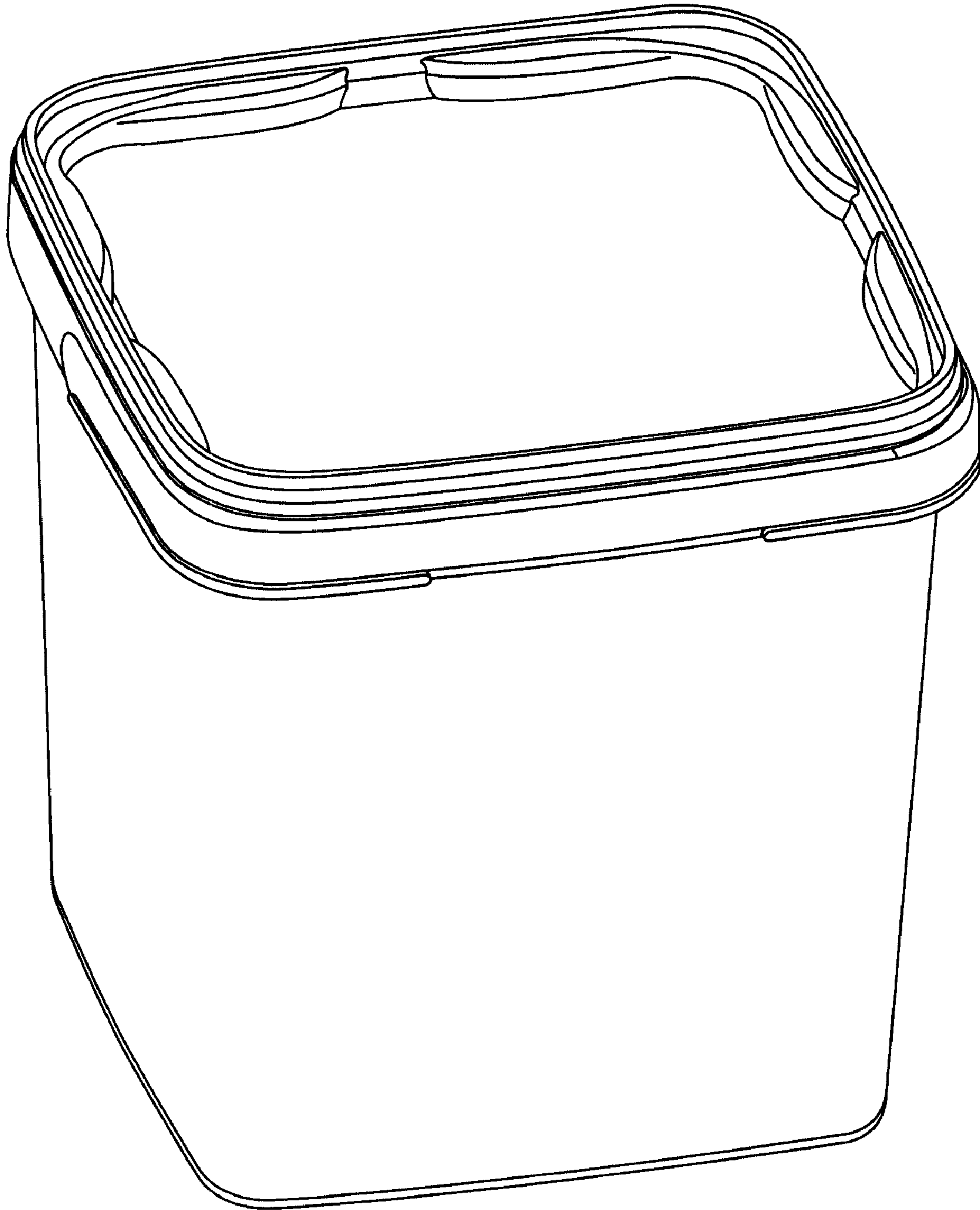


Fig. 1

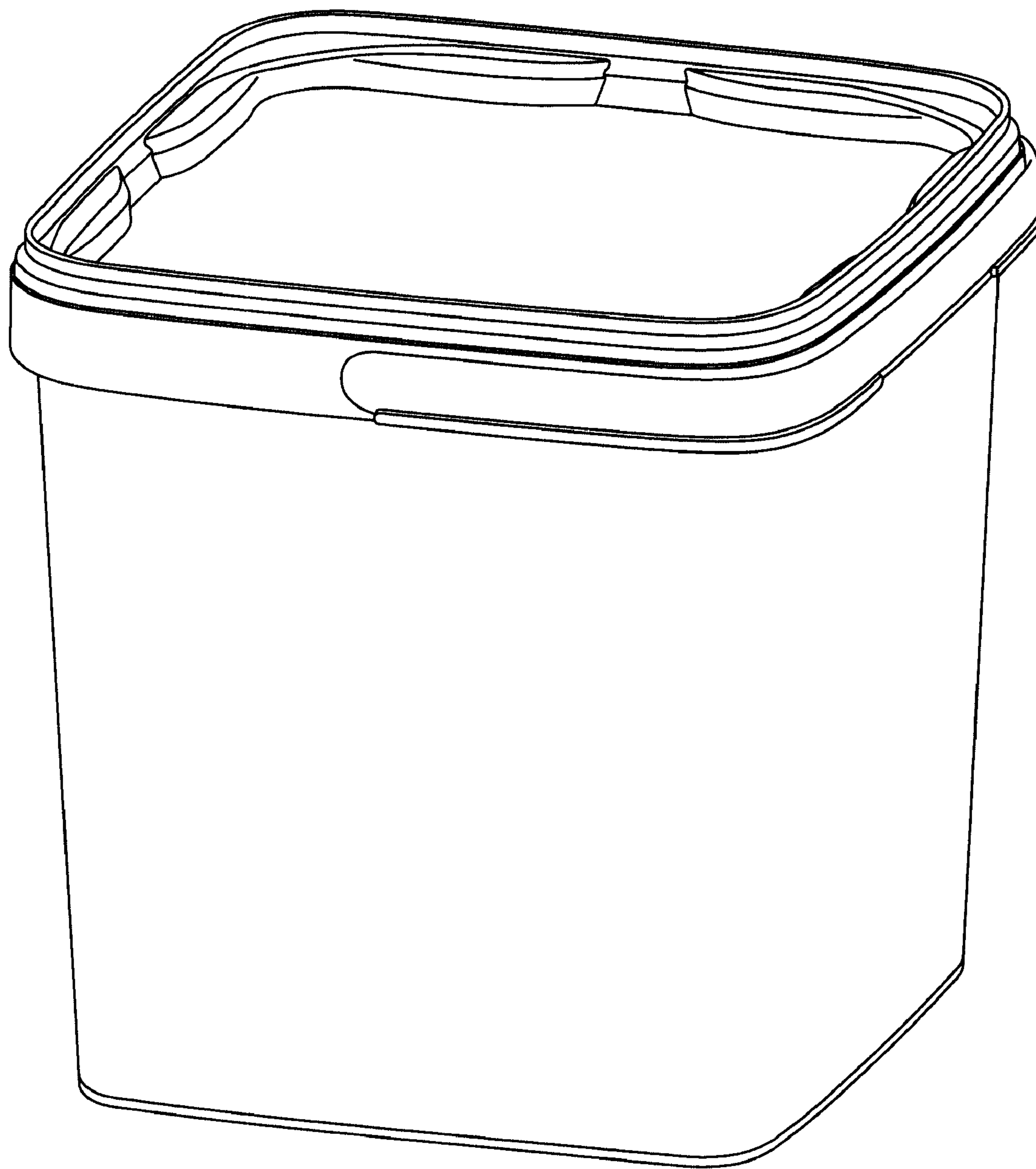


Fig. 2

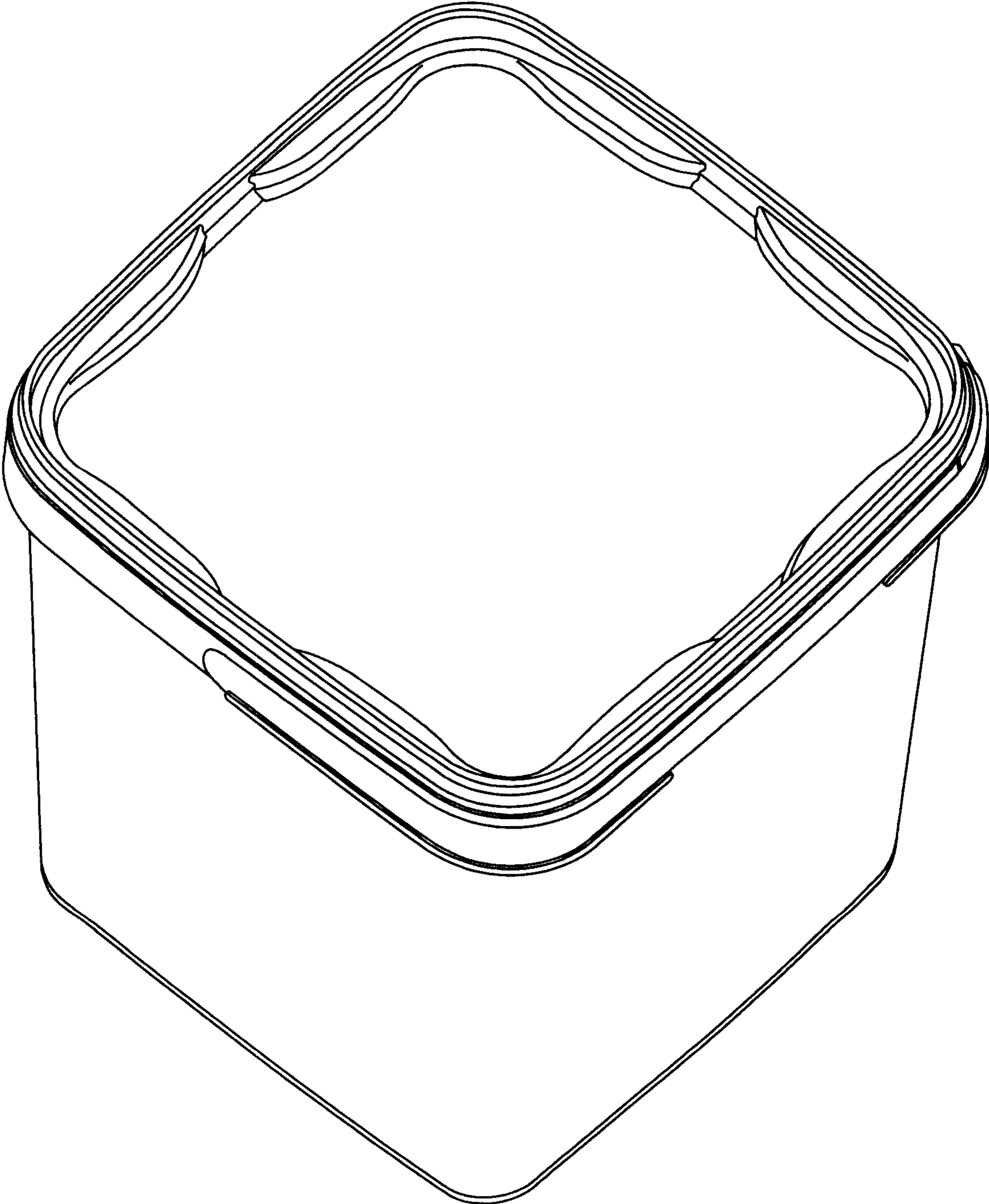


Fig. 3



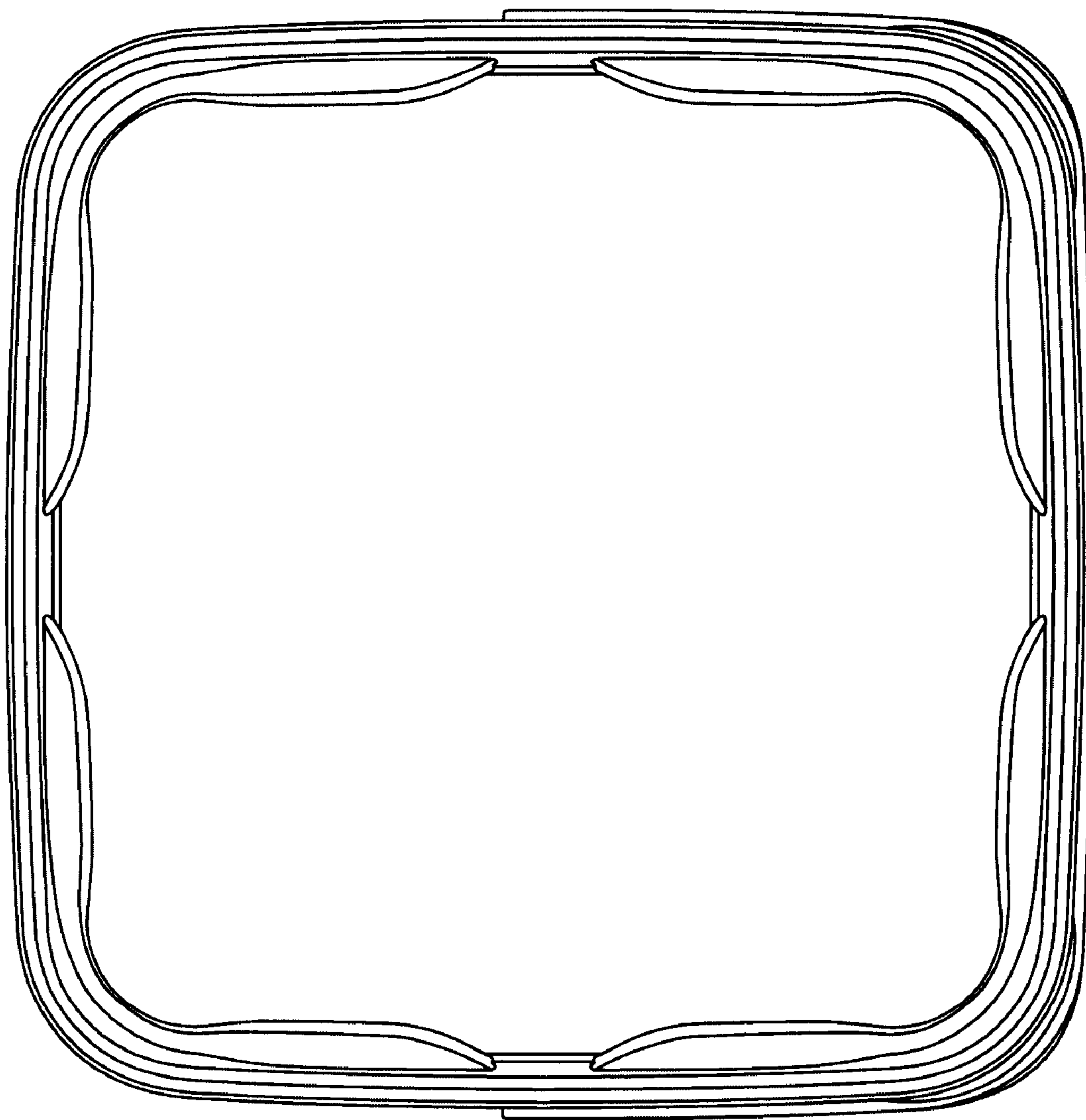
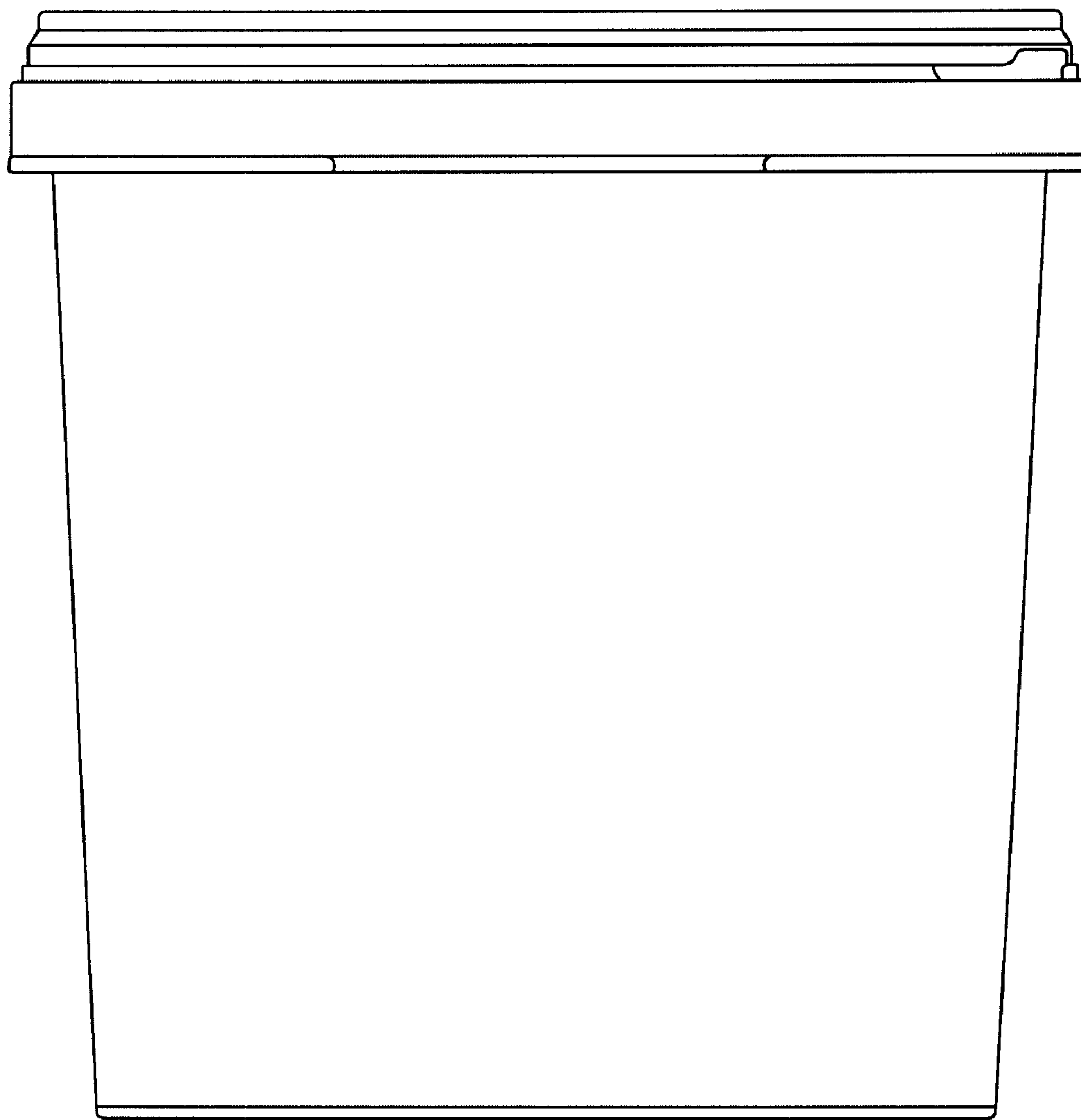
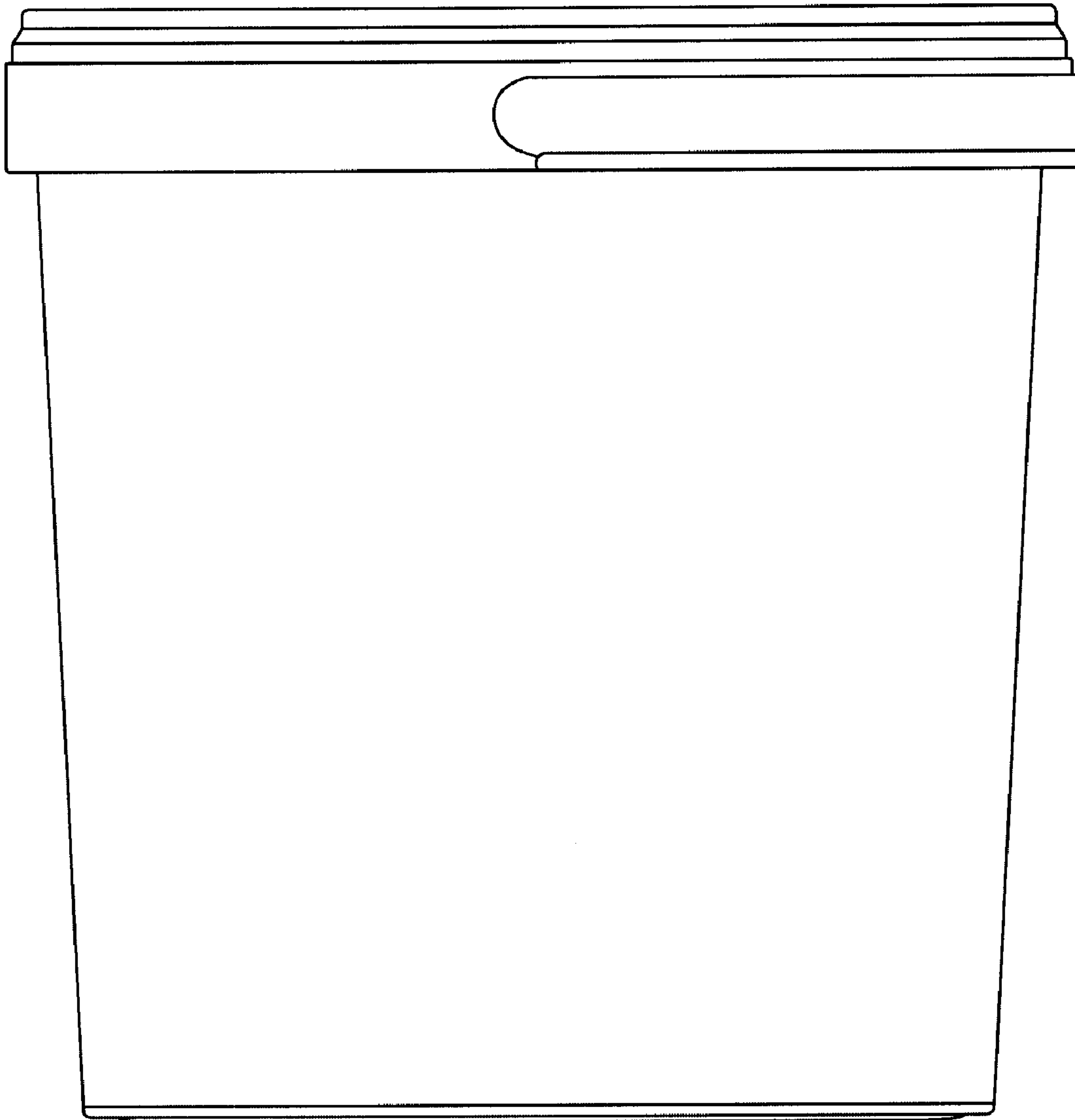


Fig. 4



**Fig. 5**



**Fig. 6**

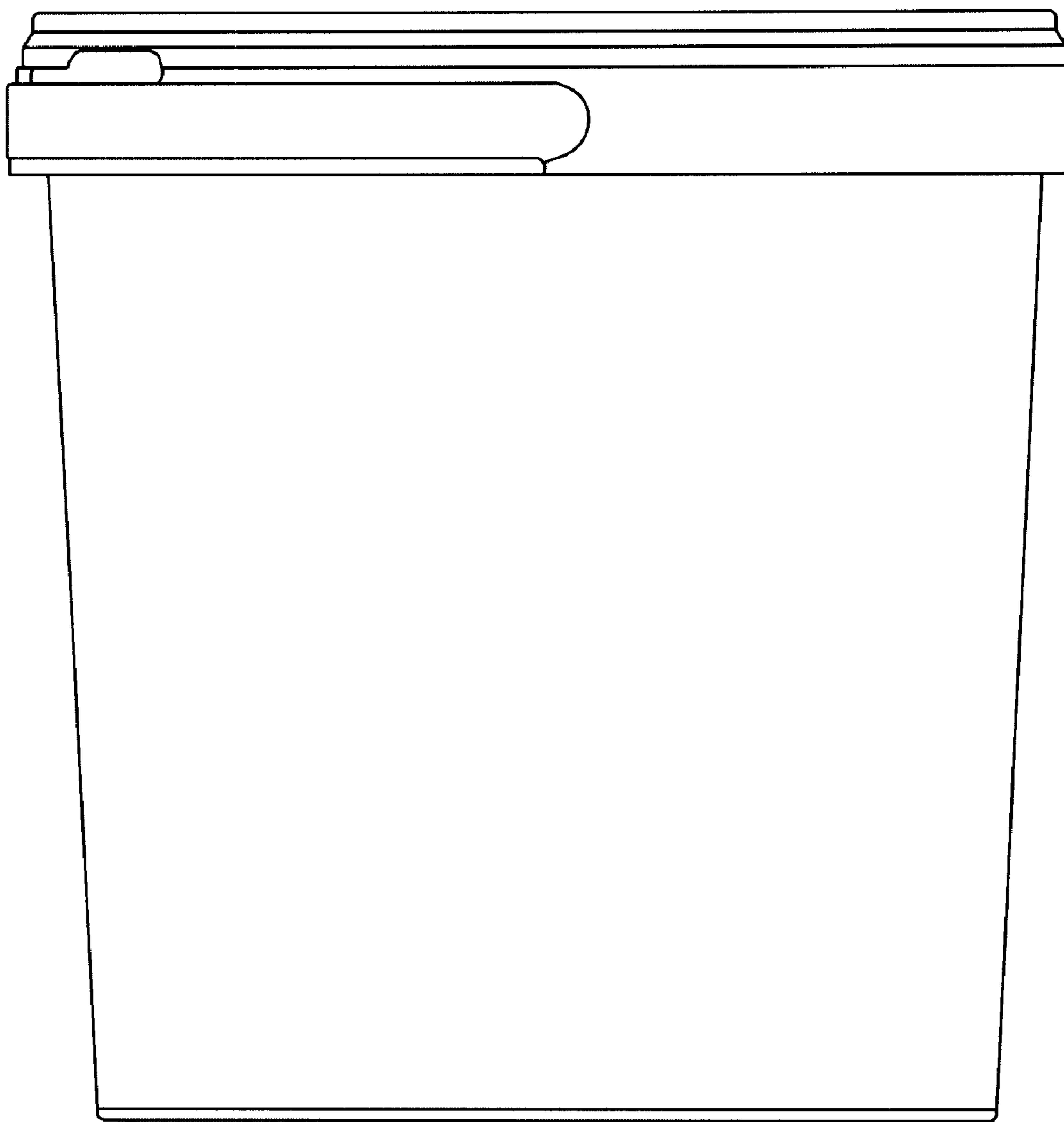


Fig. 7