



US00D614947S

(12) **United States Design Patent**
Hennon

(10) **Patent No.:** **US D614,947 S**
(45) **Date of Patent:** **** May 4, 2010**

(54) **WEDGE PIPE HANGER**

DESCRIPTION

- (75) Inventor: **John Hennon**, Wall Township, NJ (US)
 - (73) Assignee: **Syntiro Dynamics LLC**, Wall Township, NJ (US)
 - (**) Term: **14 Years**
 - (21) Appl. No.: **29/339,204**
 - (22) Filed: **Jun. 26, 2009**
 - (51) **LOC (9) Cl.** **08-08**
 - (52) **U.S. Cl.** **D8/396; D8/380**
 - (58) **Field of Classification Search** D8/354–356, D8/371, 376, 394–396, 382, 380; 24/16 R, 24/279; 248/49, 61, 62, 63, 74.1–74.4, 73; 294/116
- See application file for complete search history.

(56) **References Cited**

U.S. PATENT DOCUMENTS

- 824,544 A 6/1906 Hossege
- 2,355,742 A 8/1944 Morehouse

(Continued)

OTHER PUBLICATIONS

PBM Valve Solutions “Pipe & Tubing Hangers” Nov. 2004.
 Behringer, “The Best Solution for Process Piping Installations”.
 Pipe Hanger to Hennon USPTO U.S. Appl. No. 29/322,671 non-published.

Primary Examiner—T. Chase Nelson

Assistant Examiner—John Windmuller

(74) *Attorney, Agent, or Firm*—Daniels Patent Law PLLC; Scott A. Daniels

(57) **CLAIM**

The ornamental design for a wedge pipe hanger, as shown and described.

FIG. 1 is a perspective view of the first embodiment of a wedge pipe hanger;

FIG. 2 is a front elevation view of a wedge pipe hanger of the first embodiment according to the present invention;

FIG. 3 is a right side elevation view of the wedge pipe hanger of the first embodiment according to the present invention;

FIG. 4 is a left side elevation view of the wedge pipe hanger of the first embodiment according to the present invention;

FIG. 5 is a bottom planar view of the wedge pipe hanger of the first embodiment according to the present invention;

FIG. 6 is a top planar view of the wedge pipe hanger of the first embodiment according to the present invention;

FIG. 7 is a perspective view of the second embodiment of a wedge pipe hanger;

FIG. 8 is a front elevation view of a wedge pipe hanger of the second embodiment according to the present invention;

FIG. 9 is a right side elevation view of the wedge pipe hanger of the second embodiment according to the present invention;

FIG. 10 is a left side elevation view of the wedge pipe hanger of the second embodiment according to the present invention;

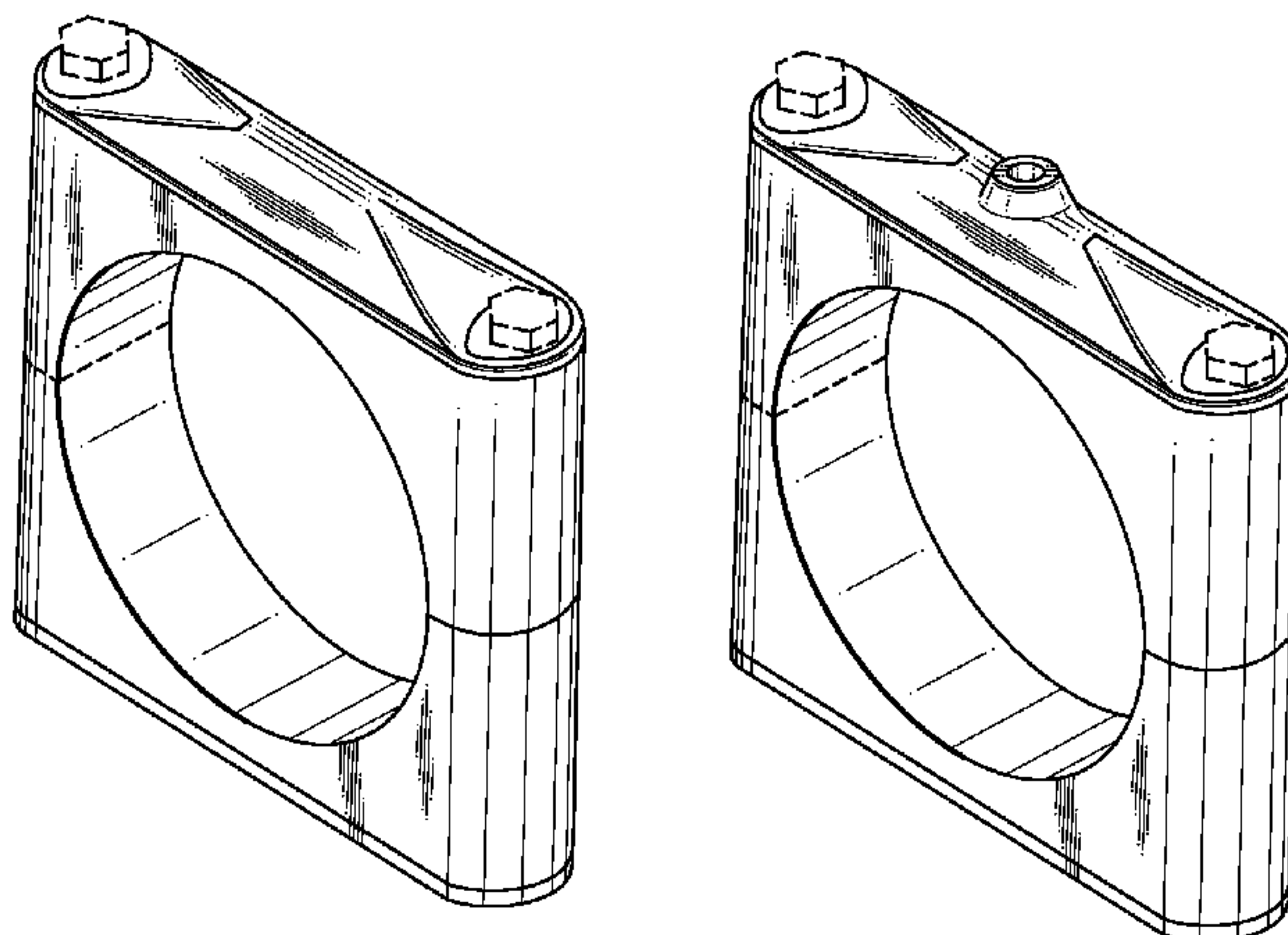
FIG. 11 is a bottom planar view of the wedge pipe hanger of the second embodiment according to the present invention;

FIG. 12 is a top planar view of the wedge pipe hanger of the second embodiment according to the present invention; and,

FIG. 13 is a perspective view of the first embodiment of the wedge pipe hanger in use with a second pipe hanger.

The broken line of one side of the device showing in FIGS. 1–3, 7–9 and 13 is for the purpose of illustrating that this feature of the device could be cut or not be cut and forms no part of the claimed design. The broken line feature showing on the top of the device of FIGS. 1–4, 6–10, 12 and 13 is for the purpose of illustrating hardware for connection of the device and forms no part of the claimed design. The broken line of the bottom member of a device showing in FIG. 13 is for the purpose of illustrating the devices may be stacked and forms no part of the claimed design.

1 Claim, 3 Drawing Sheets



US D614,947 S

Page 2

U.S. PATENT DOCUMENTS								
2,362,124	A	11/1944	Ellinwood	4,262,869	A *	4/1981	Menshen	248/74.4
2,404,531	A	7/1946	Robertson	4,270,250	A *	6/1981	Schon	24/114.5
2,442,833	A	6/1948	Watkins	4,273,465	A *	6/1981	Schoen	403/391
2,890,848	A *	6/1959	Johnson, Jr.	4,442,990	A *	4/1984	Krueger	248/62
2,937,835	A *	5/1960	Csmereka	4,784,363	A	11/1988	Brown et al.	
3,188,030	A *	6/1965	Fischer	5,404,914	A	4/1995	Ziu	
3,244,388	A	4/1966	Coffman	5,887,832	A *	3/1999	Elvegaard	248/68.1
3,266,761	A	8/1966	Walton et al.	5,971,663	A *	10/1999	Brothers	405/125
3,458,163	A *	7/1969	Egerton-Smith	6,079,673	A *	6/2000	Cox	248/63
3,582,029	A *	6/1971	Moesta	6,161,589	A	12/2000	Bolotte et al.	
3,695,563	A *	10/1972	Evans	6,173,926	B1 *	1/2001	Elvegaard	248/74.1
3,765,629	A *	10/1973	Voelker et al.	6,203,245	B1 *	3/2001	Harten	405/125
3,848,839	A	11/1974	Tillman	6,540,531	B2 *	4/2003	Syed et al.	439/98
3,851,979	A	12/1974	Becker	6,752,359	B2 *	6/2004	Nagenkogl et al.	248/49
3,856,246	A *	12/1974	Sinko	6,799,607	B1	10/2004	Friedline et al.	
4,004,766	A	1/1977	Long	7,029,325	B2 *	4/2006	Khemakhem et al.	439/580
D247,420	S *	3/1978	Reynolds	2002/0000499	A1 *	1/2002	Aoki et al.	248/74.4
4,202,520	A *	5/1980	Loos et al.	2005/0022891	A1	2/2005	Friedline et al.	
				2005/0205722	A1	9/2005	Krueger	

* cited by examiner

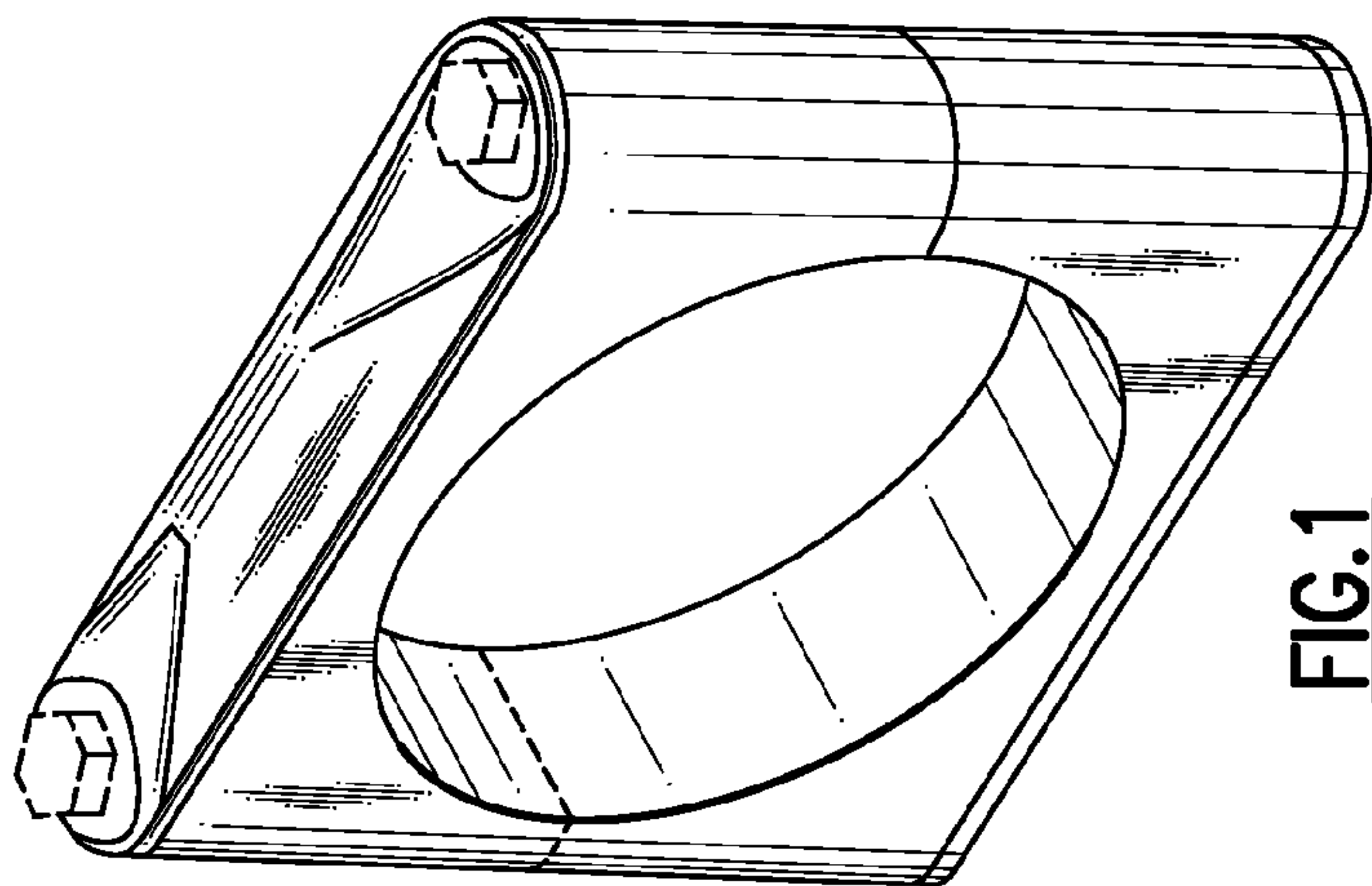


FIG.1

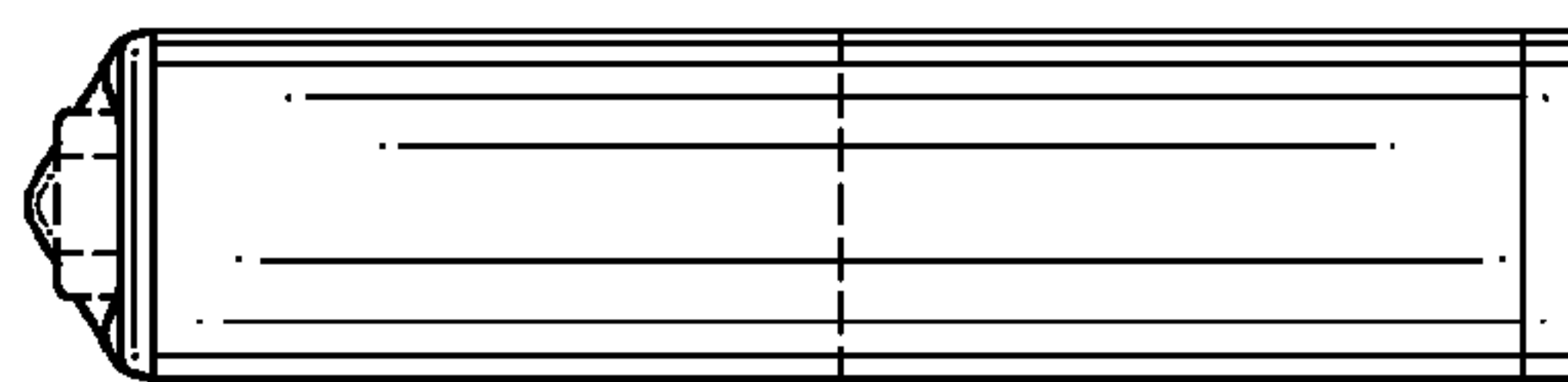


FIG.3

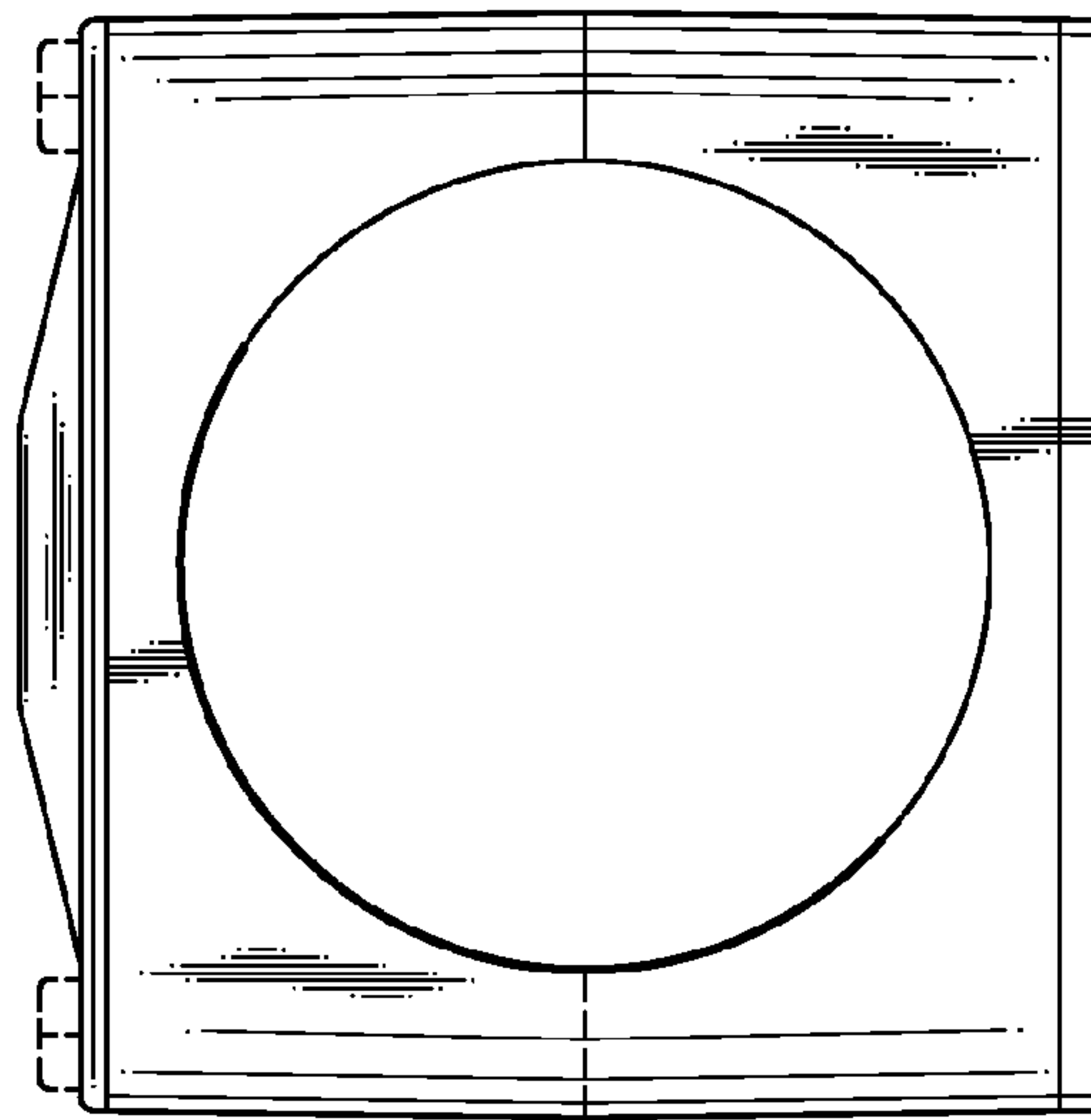


FIG.2

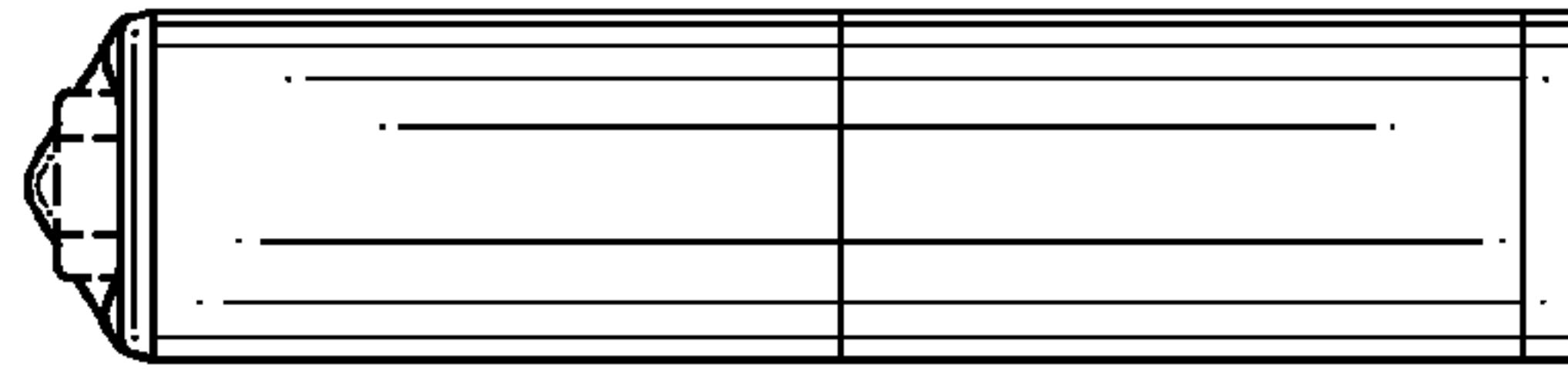


FIG.4

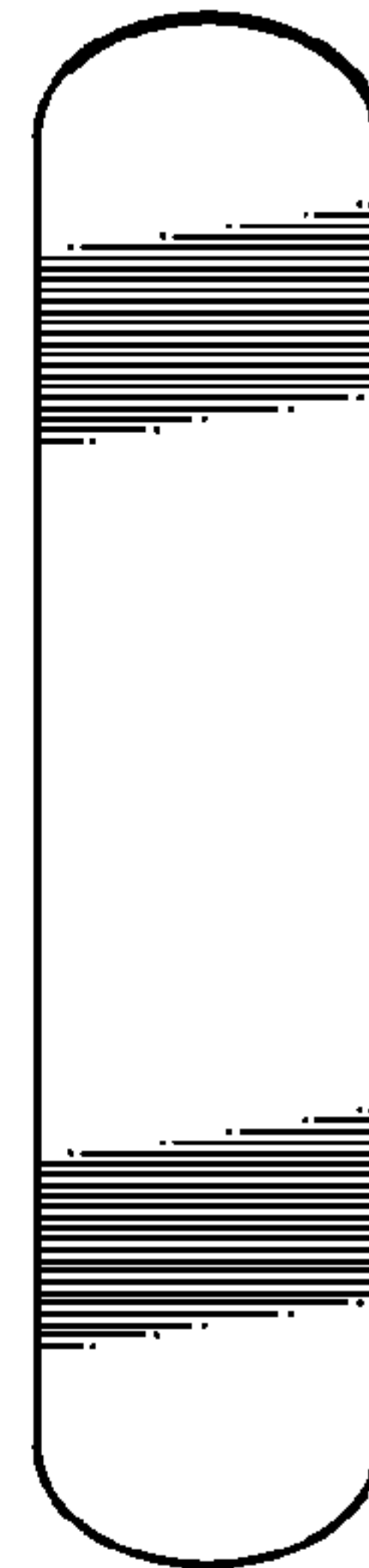


FIG.5

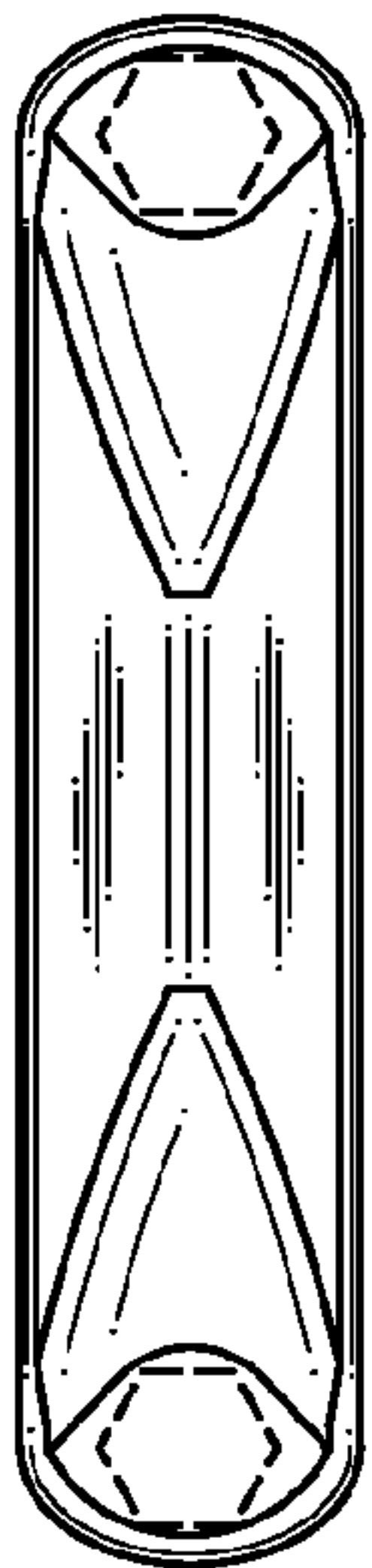
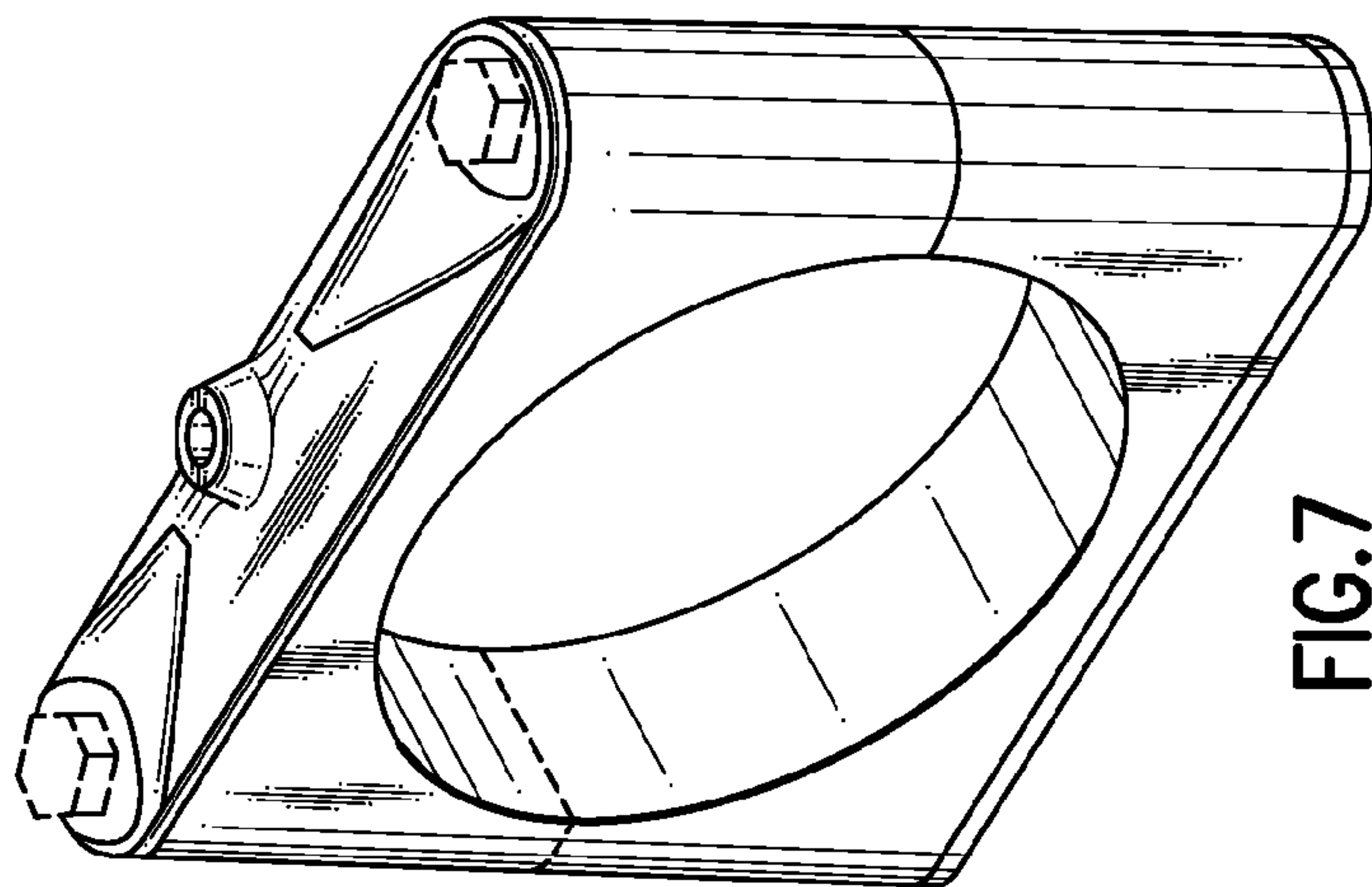
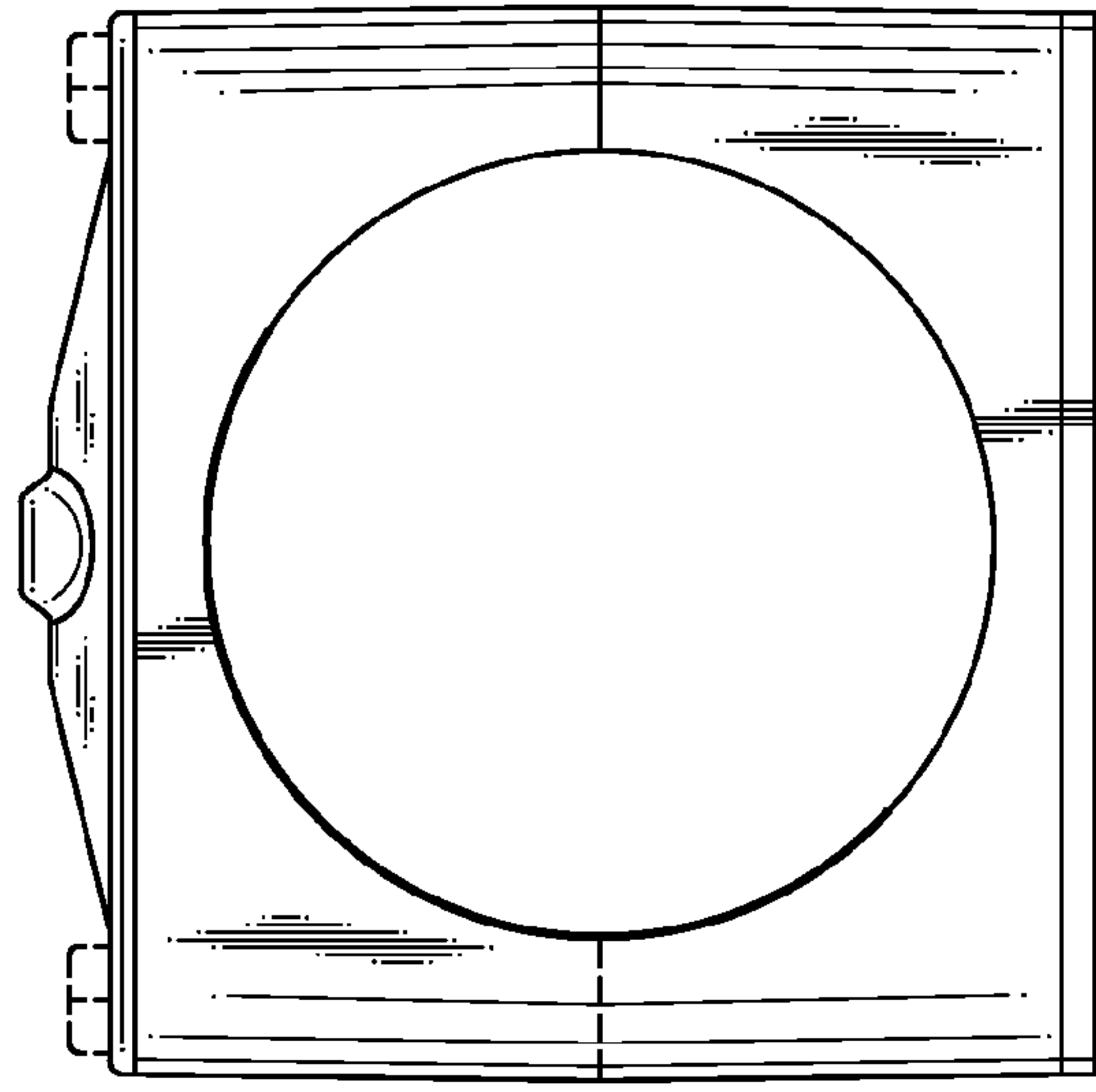
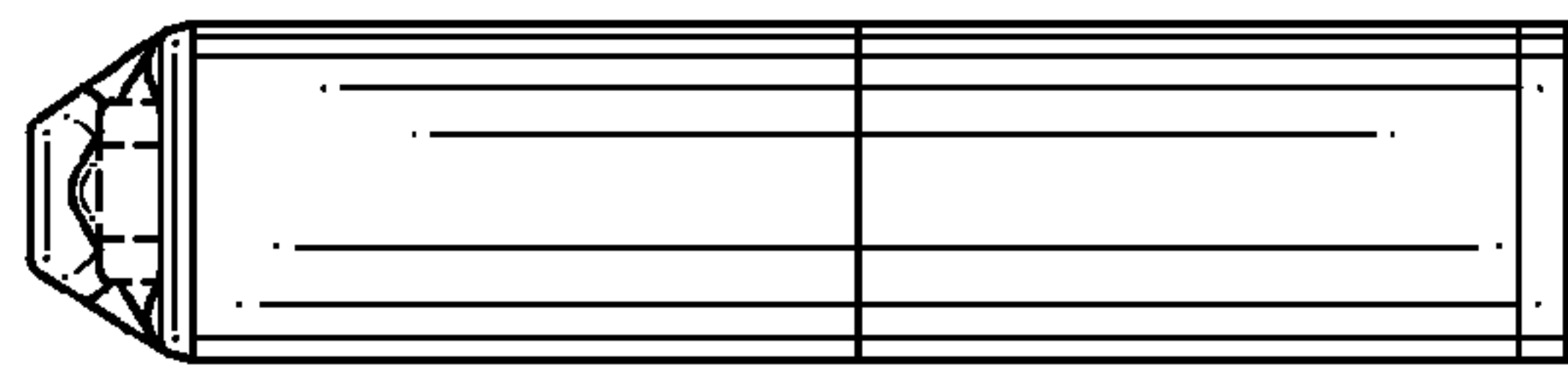
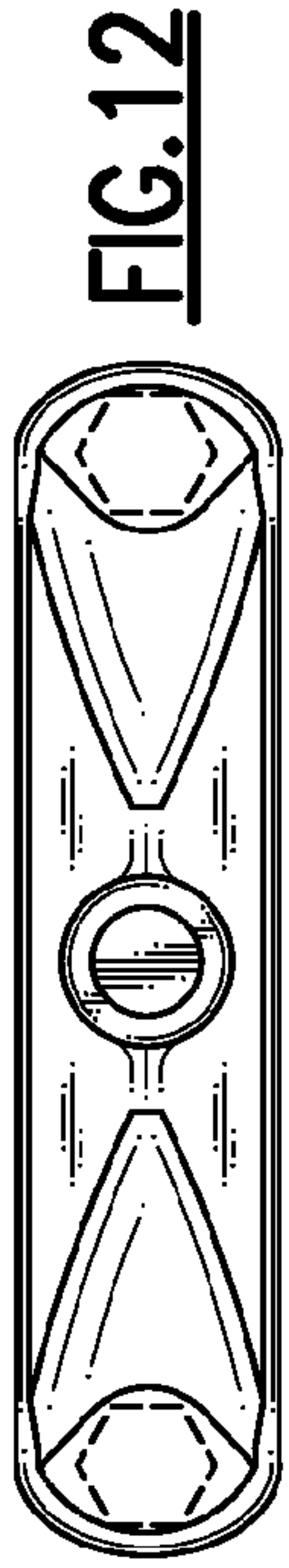


FIG.6



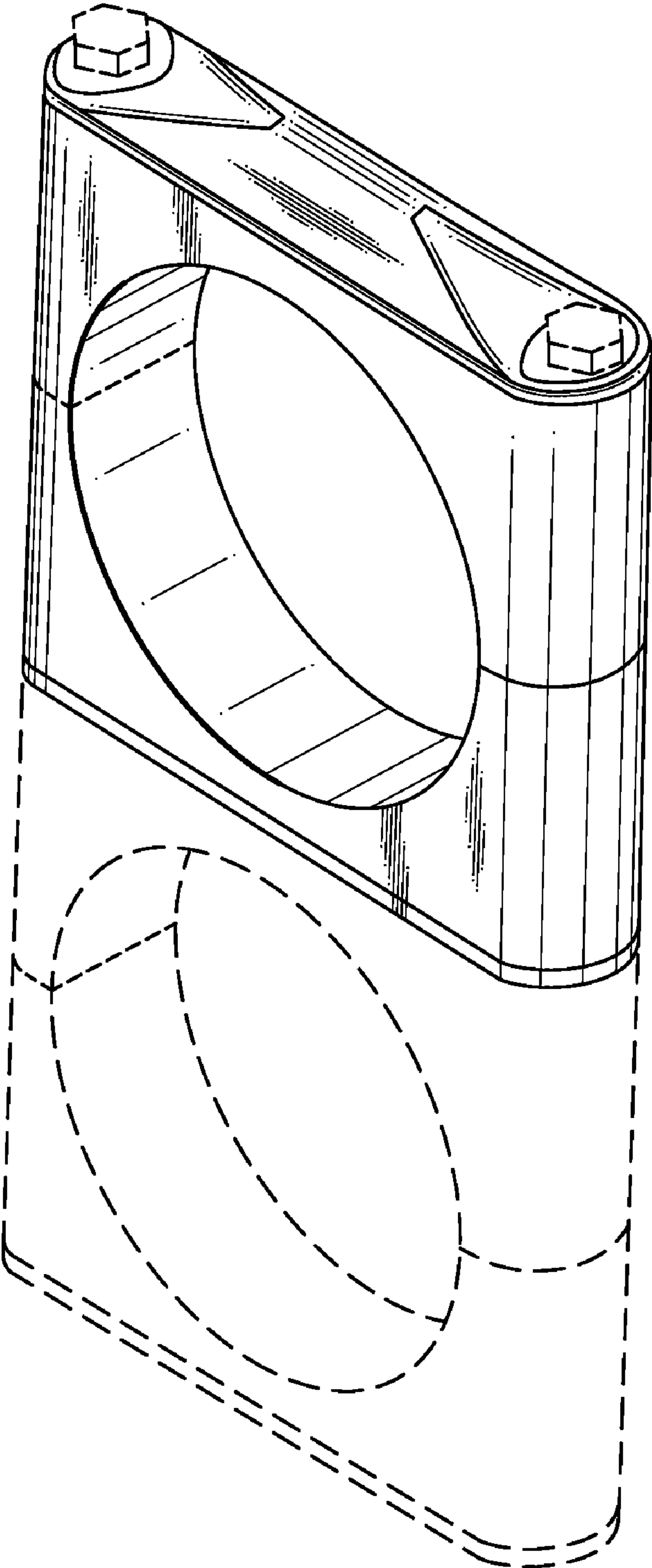


FIG.13