



US00D614946S

(12) **United States Design Patent**
Herman

(10) **Patent No.:** **US D614,946 S**

(45) **Date of Patent:** **** May 4, 2010**

(54) **RELEASABLE FASTENING CLIP**

(74) *Attorney, Agent, or Firm*—John A. Artz

(76) **Inventor:** **Sal Herman**, 1874 Pine Ridge Ct.,
Bloomfield Hills, MI (US) 48302

(57) **CLAIM**

(**) **Term:** **14 Years**

I claim the ornamental design for a releasable fastening clip,
as described and shown herein.

(21) **Appl. No.:** **29/334,672**

(22) **Filed:** **Mar. 31, 2009**

DESCRIPTION

(51) **LOC (9) Cl.** **08-08**

(52) **U.S. Cl.** **D8/395**

(58) **Field of Classification Search** D8/394–396,
D8/72; D19/56, 65; 24/67.3; D32/60–64
See application file for complete search history.

FIG. 1 is a perspective view of a releasable fastening clip
showing my new design. In this view, the fastening clip is
shown in a closed position.

FIG. 2 is a front view of the fastening clip depicted in FIG. 1.

FIG. 3 is a back (or rear) view of the fastening clip depicted in
FIG. 1.

FIG. 4 is a left side view of the fastening clip depicted in FIG.
1.

(56) **References Cited**

U.S. PATENT DOCUMENTS

3,914,828	A *	10/1975	Noda	24/504
4,005,510	A *	2/1977	Noda	24/504
4,086,686	A *	5/1978	Takabayashi	24/504
4,141,119	A *	2/1979	Nodo	24/504
4,463,482	A	8/1984	Hawie	
4,901,408	A	2/1990	Hermann	
6,516,500	B2 *	2/2003	Ogino et al.	24/504
D512,906	S *	12/2005	Wood	D8/395
7,174,607	B1 *	2/2007	Buettell	24/504
D589,338	S *	3/2009	Baum	D8/395
2004/0168286	A1	9/2004	Herman	

FIG. 5 is a right side view of the fastening clip depicted in
FIG. 1.

FIG. 6 is a partial sectional view of the fastening clip depicted
in FIG. 1 that is taken along the 6—6 line shown in FIG. 4.

FIG. 7 is a partial sectional view of the fastening clip depicted
in FIG. 1 that is taken along the 7—7 line shown in FIG. 4.

FIG. 8 is a top (or plan) view of the fastening clip depicted in
FIG. 1.

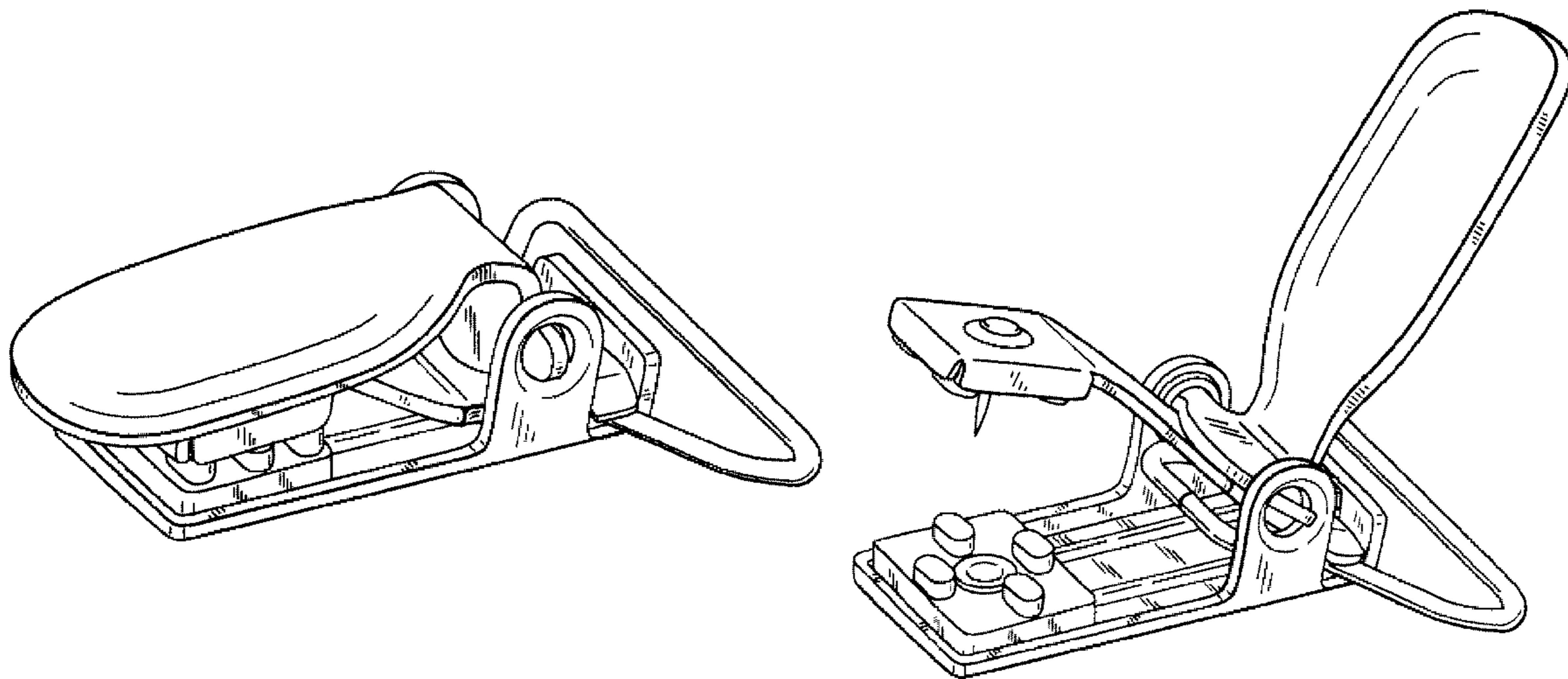
FIG. 9 is a bottom view of the fastening clip depicted in FIG.
1; and,

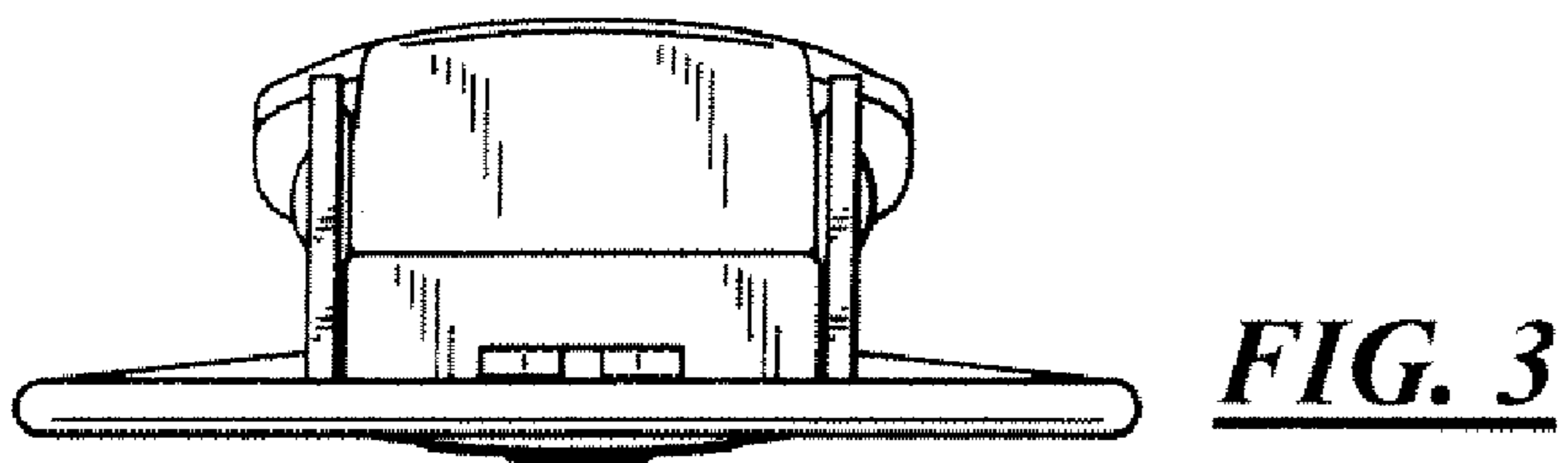
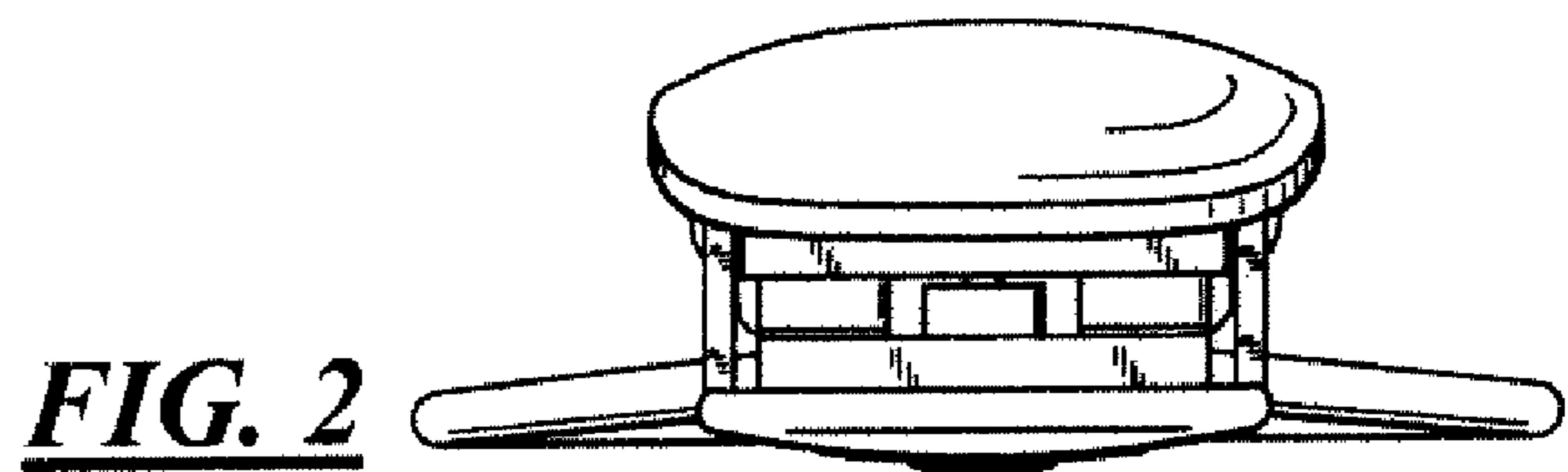
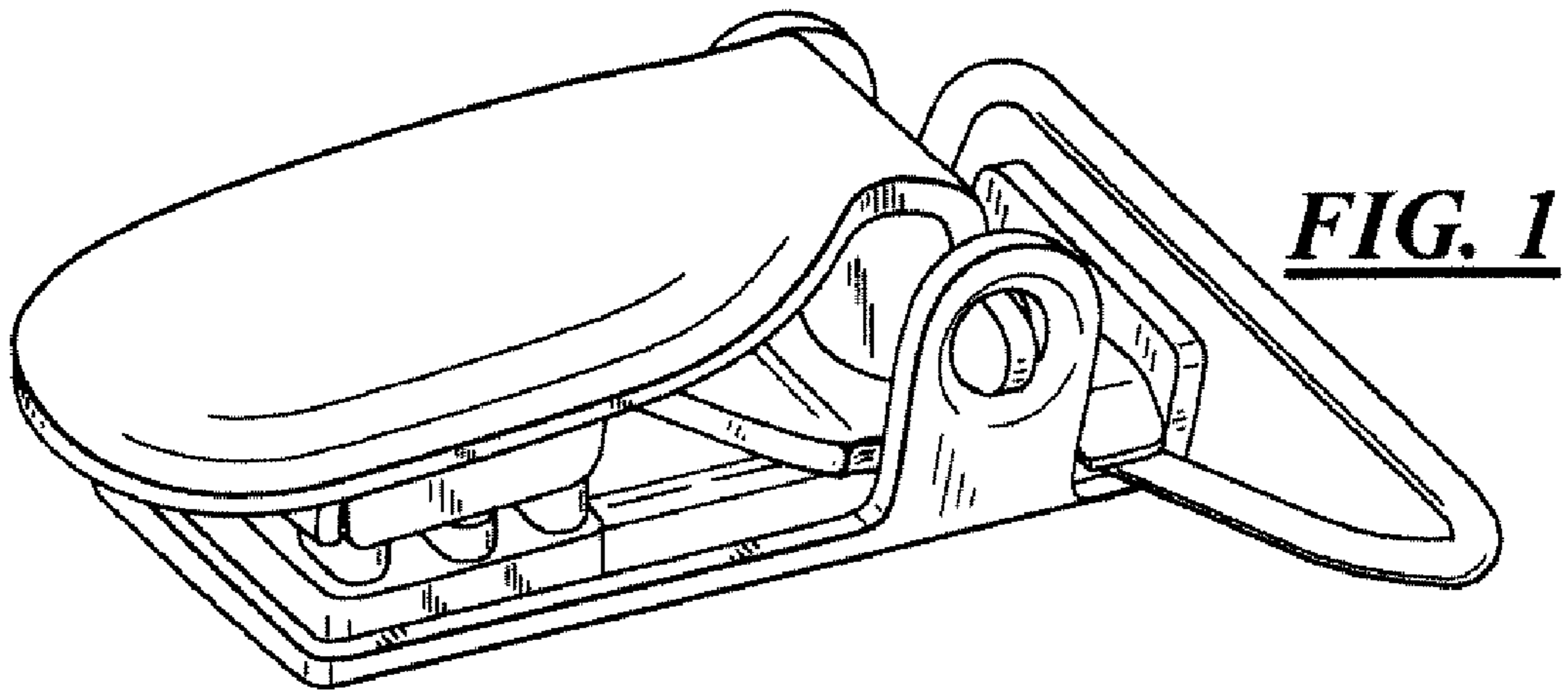
FIG. 10 is another perspective view of the fastening clip
depicted in FIG. 1. In this view, the fastening clip is alterna-
tively shown in an open (i.e., released) position.

* cited by examiner

Primary Examiner—T. Chase Nelson
Assistant Examiner—John Windmuller

1 Claim, 3 Drawing Sheets





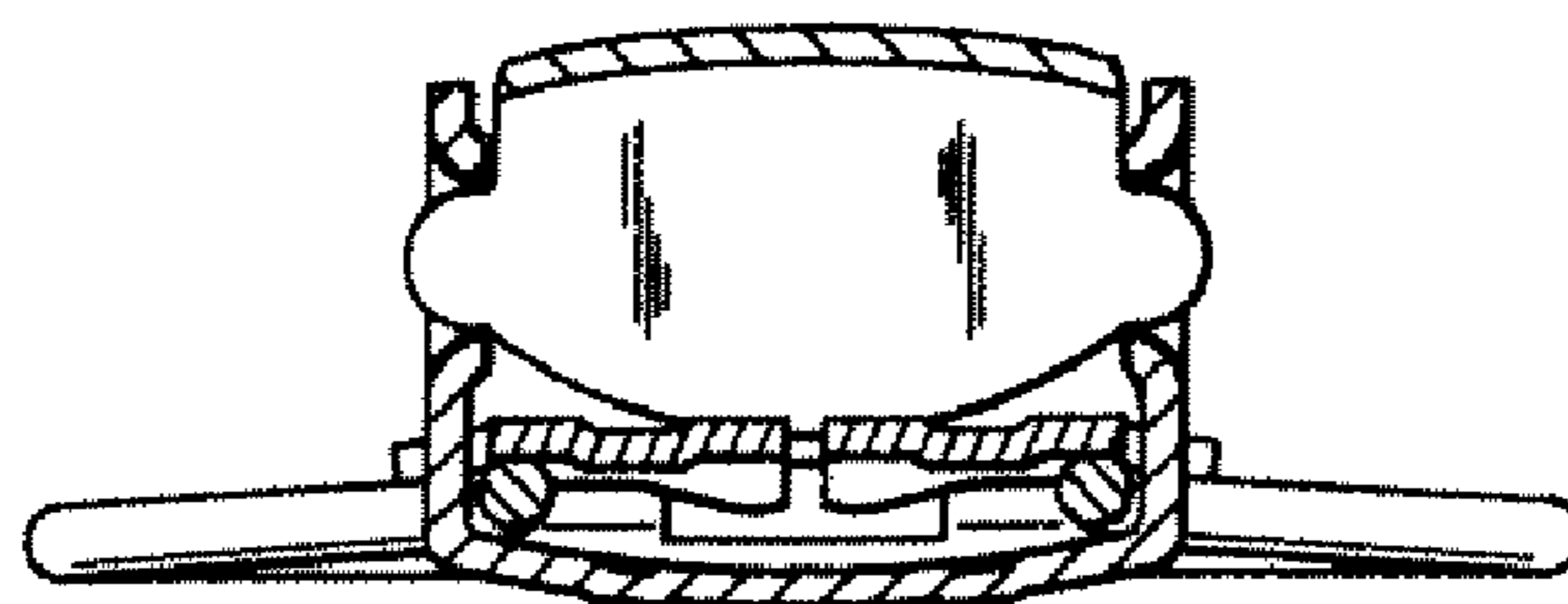
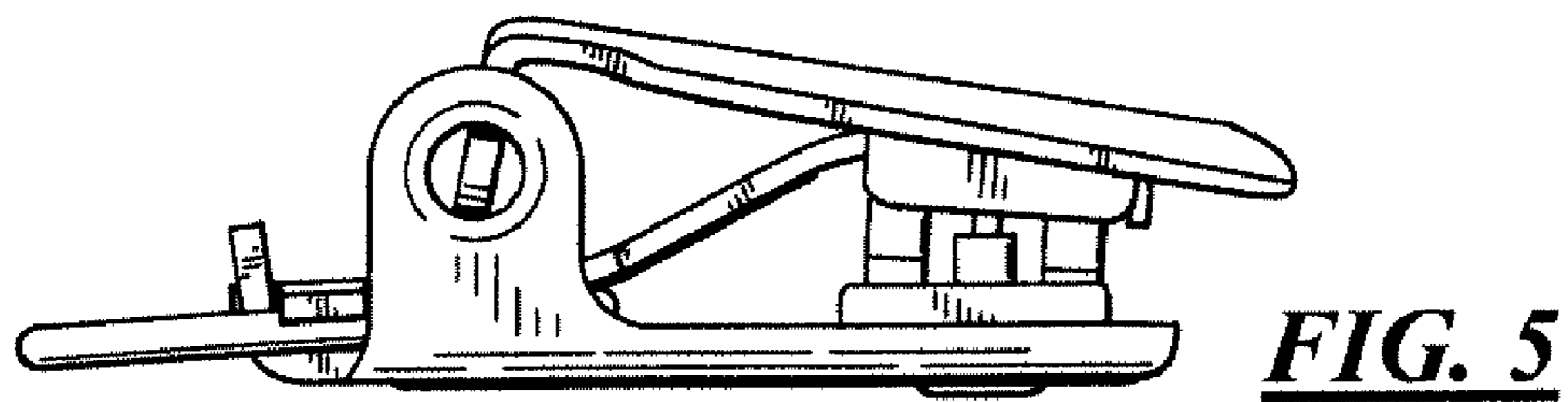
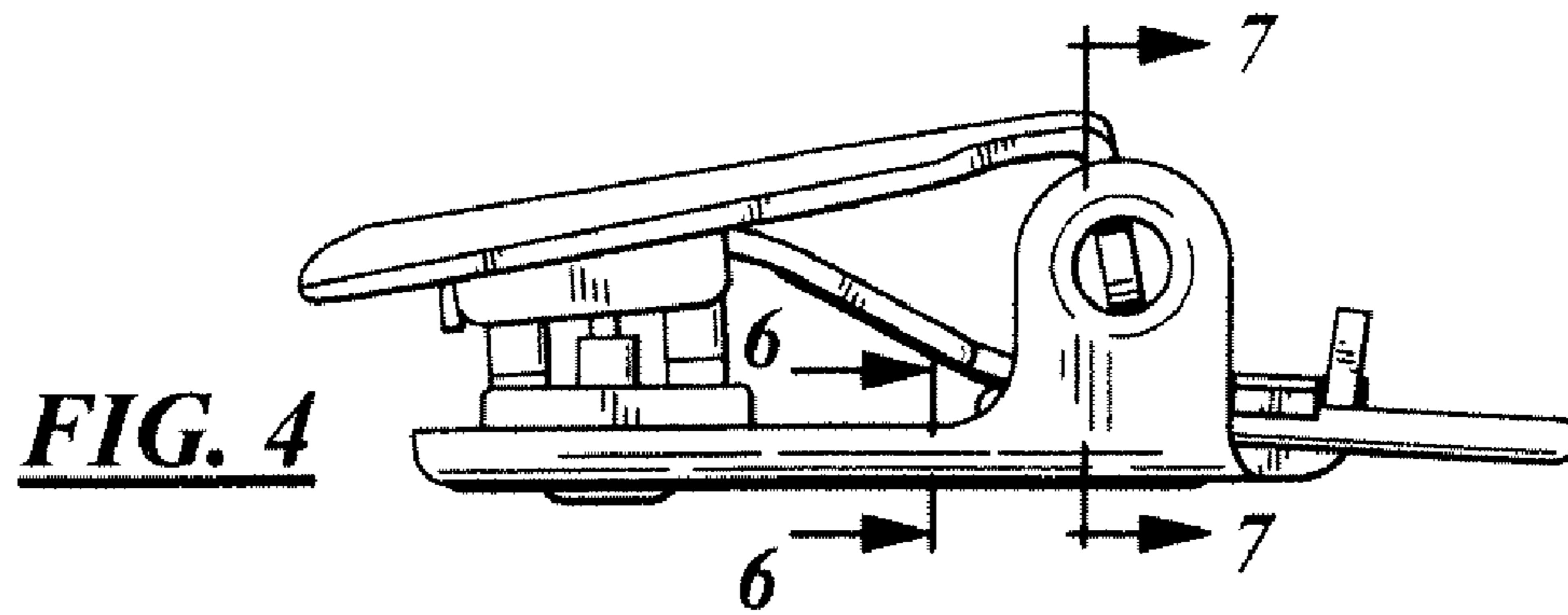


FIG. 7

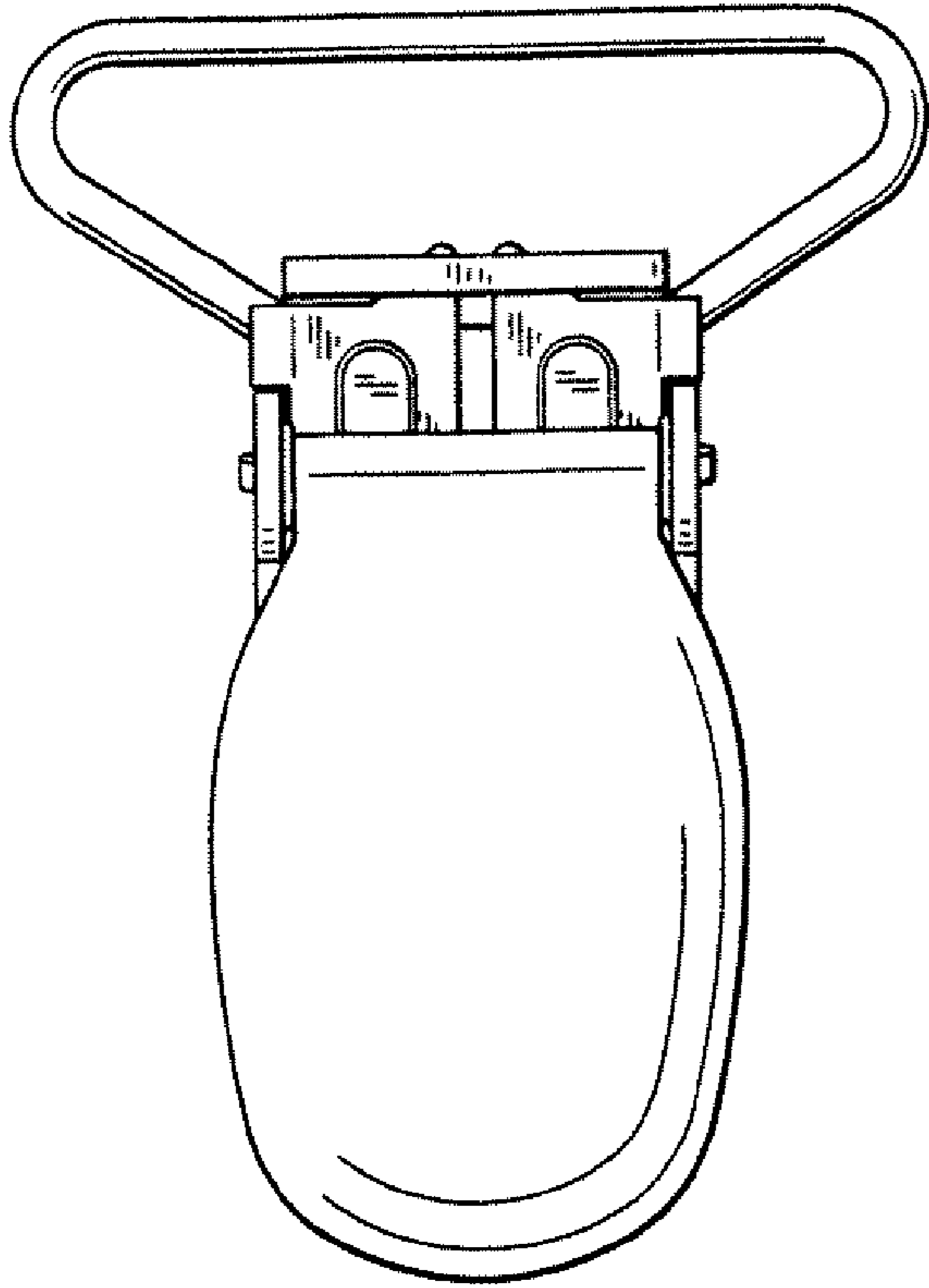


FIG. 8

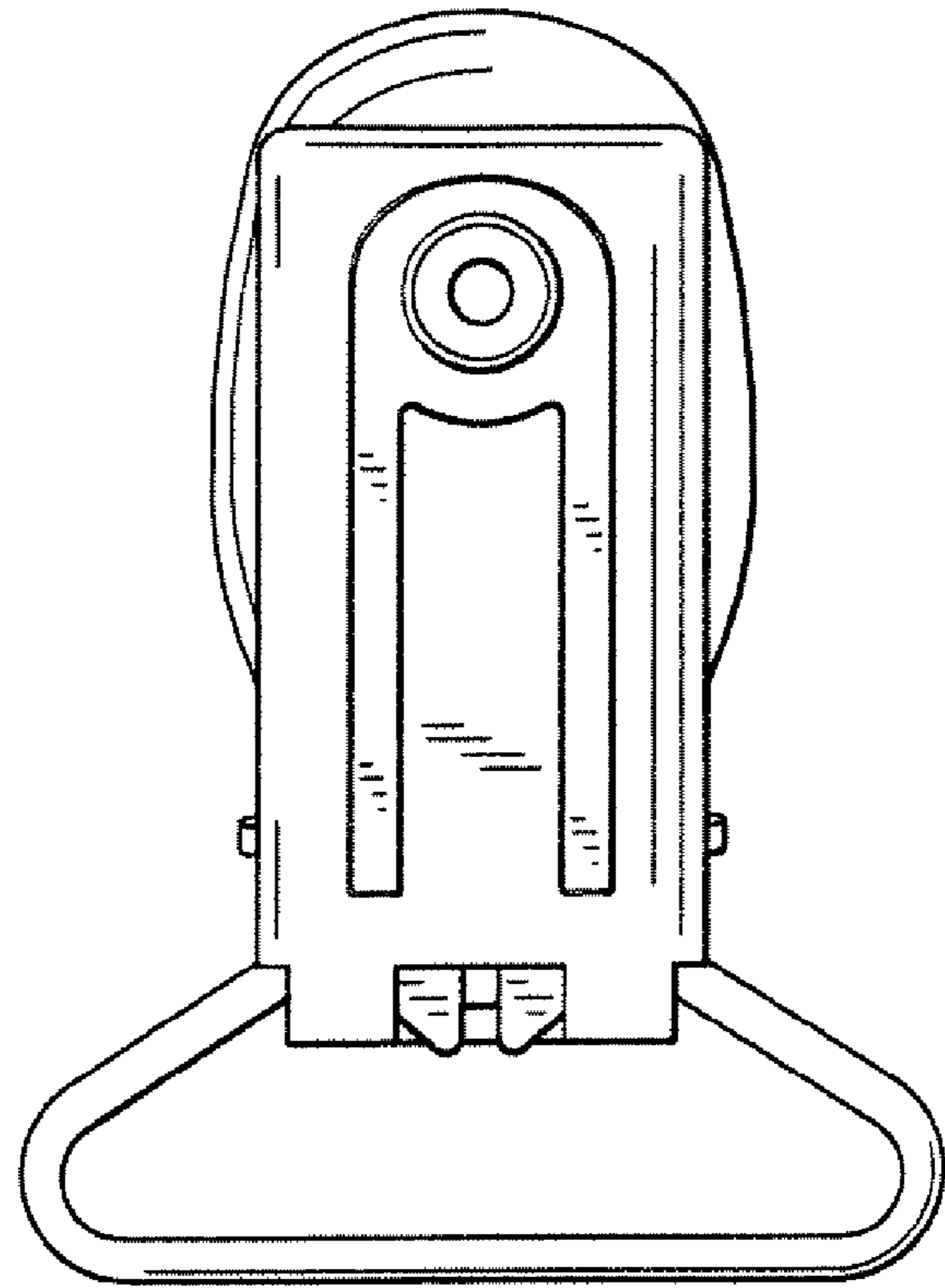


FIG. 9

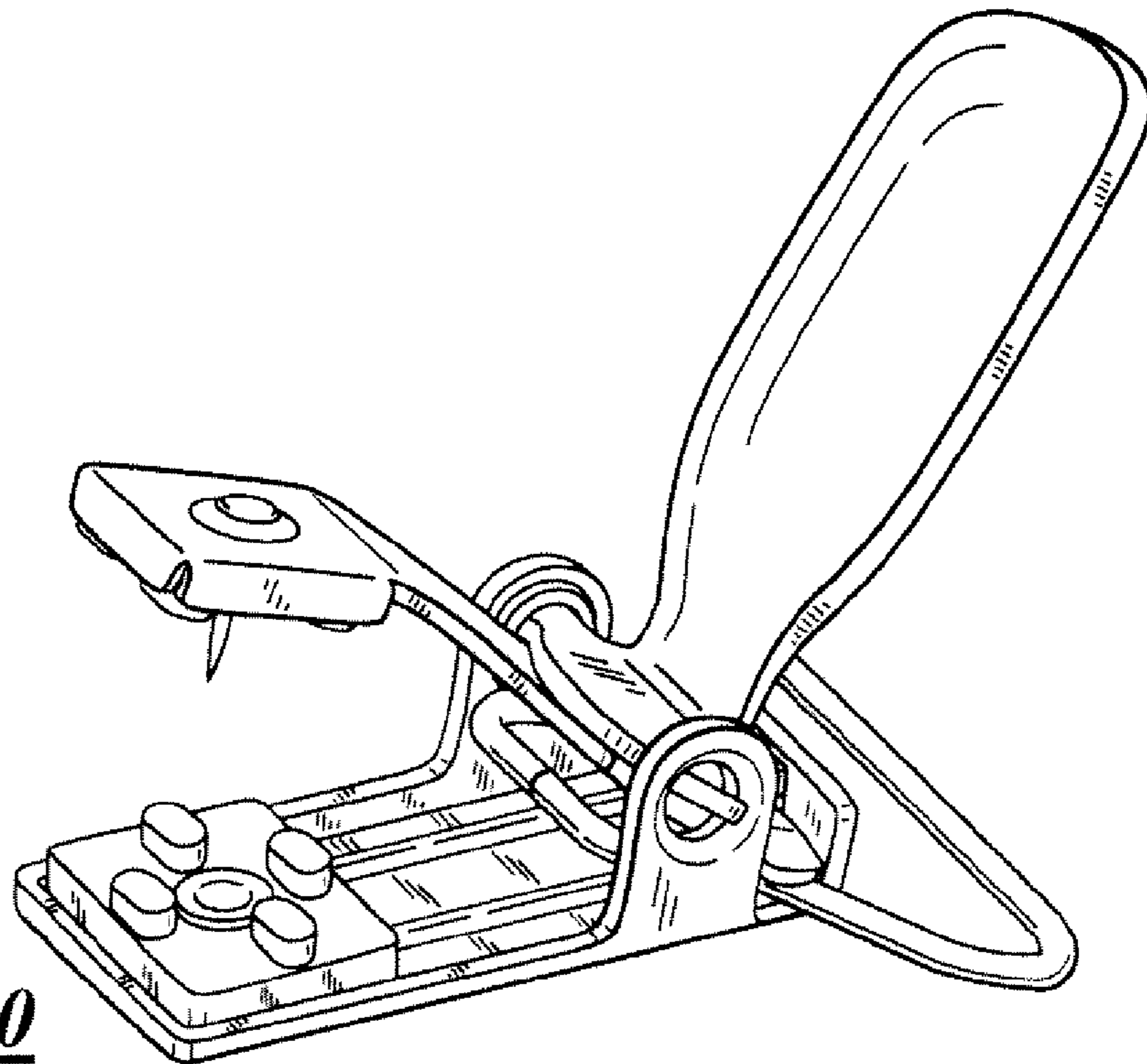


FIG. 10