



US00D614945S

(12) **United States Design Patent**
Chiu

(10) **Patent No.:** **US D614,945 S**

(45) **Date of Patent:** **** May 4, 2010**

(54) **PANEL WALL CLIP**

D497,183 S * 10/2004 Chiu D19/65
D511,088 S * 11/2005 Chiu D8/367

(75) **Inventor:** **Tzu-Chin Chiu**, Changhua County (TW)

* cited by examiner

(73) **Assignee:** **Caimon Enterprise Co., Ltd.**, Changhua County (TW)

Primary Examiner—T. Chase Nelson
Assistant Examiner—John Windmuller

(**) **Term:** **14 Years**

(74) *Attorney, Agent, or Firm*—Muncy, Geissler, Olds & Lowe, PLLC

(21) **Appl. No.:** **29/325,867**

(57) **CLAIM**

(22) **Filed:** **Oct. 7, 2008**

The ornamental design for a panel wall clip, as shown and described.

(51) **LOC (9) Cl.** **08-08**

(52) **U.S. Cl.** **D8/395**

(58) **Field of Classification Search** D8/394–396, D8/72; D19/56, 65; 24/67.3; D32/60–64
See application file for complete search history.

DESCRIPTION

FIG. 1 is a perspective view of a panel wall clip showing my design;

FIG. 2 is a front elevational view thereof;

FIG. 3 is a rear elevational view thereof;

FIG. 4 is a left side elevational view thereof;

FIG. 5 is a right side elevational view thereof;

FIG. 6 is a top plan view thereof;

FIG. 7 is a bottom plan view thereof; and,

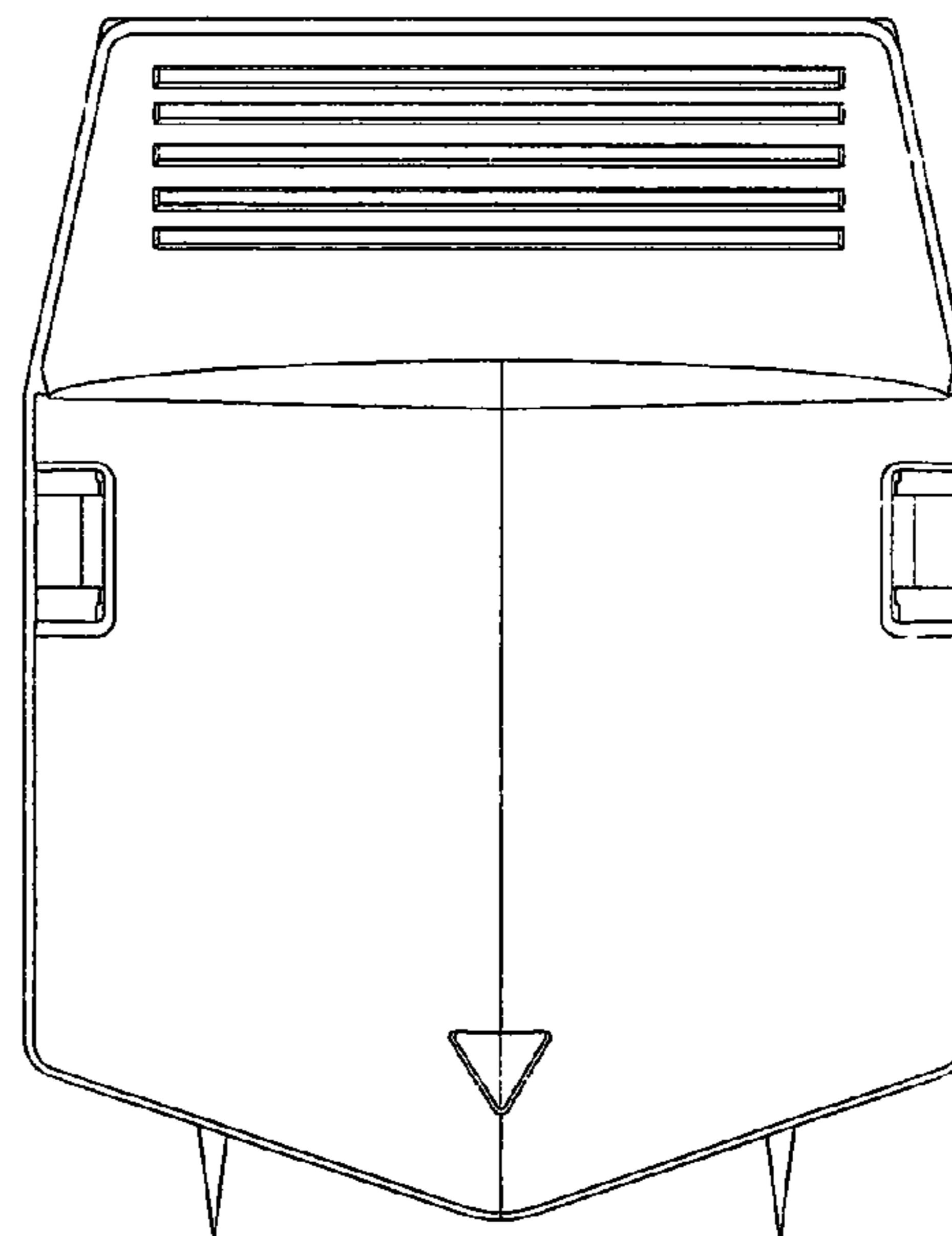
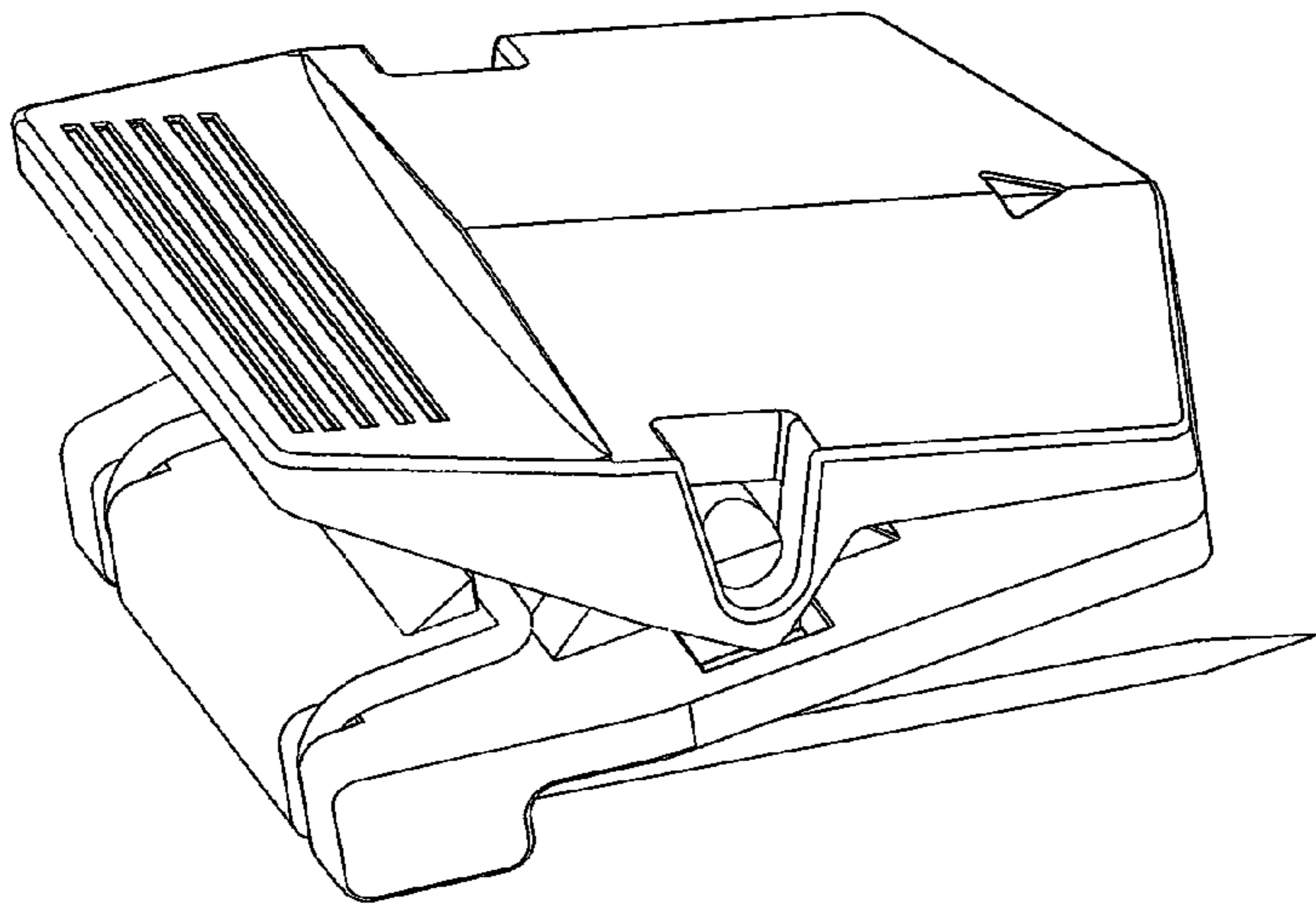
FIG. 8 is a perspective view thereof in an open position.

(56) **References Cited**

U.S. PATENT DOCUMENTS

D315,864	S	*	4/1991	Embree et al.	D8/395
5,148,581	A	*	9/1992	Hartmann	24/351
D400,584	S	*	11/1998	Wolff	D19/65
D436,841	S	*	1/2001	Carpenter	D8/373
D438,094	S	*	2/2001	Ishii	D8/396
D438,452	S	*	3/2001	Tsai	D8/395
D477,364	S	*	7/2003	Tsai	D19/65

1 Claim, 8 Drawing Sheets



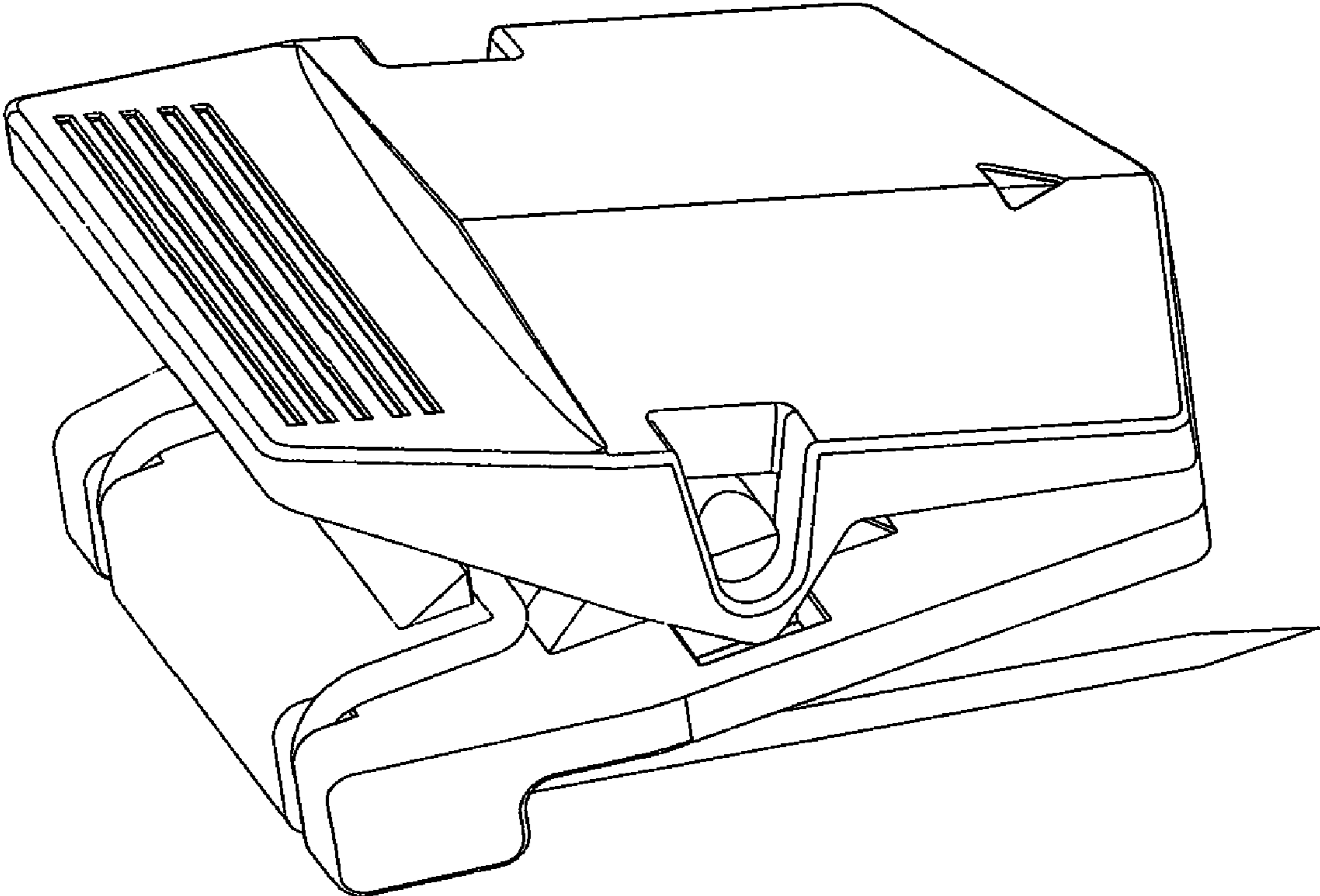


Fig. 1

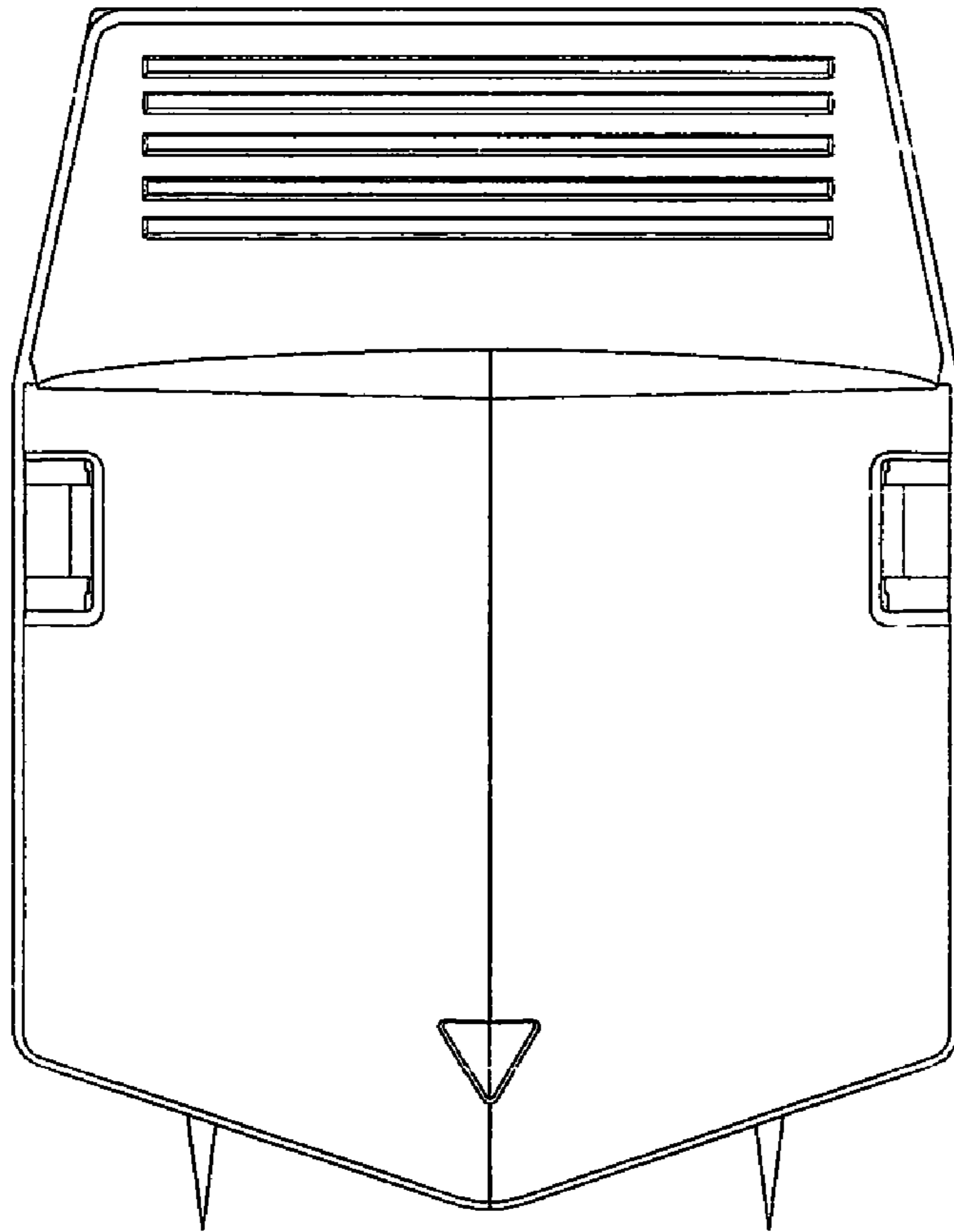


Fig. 2

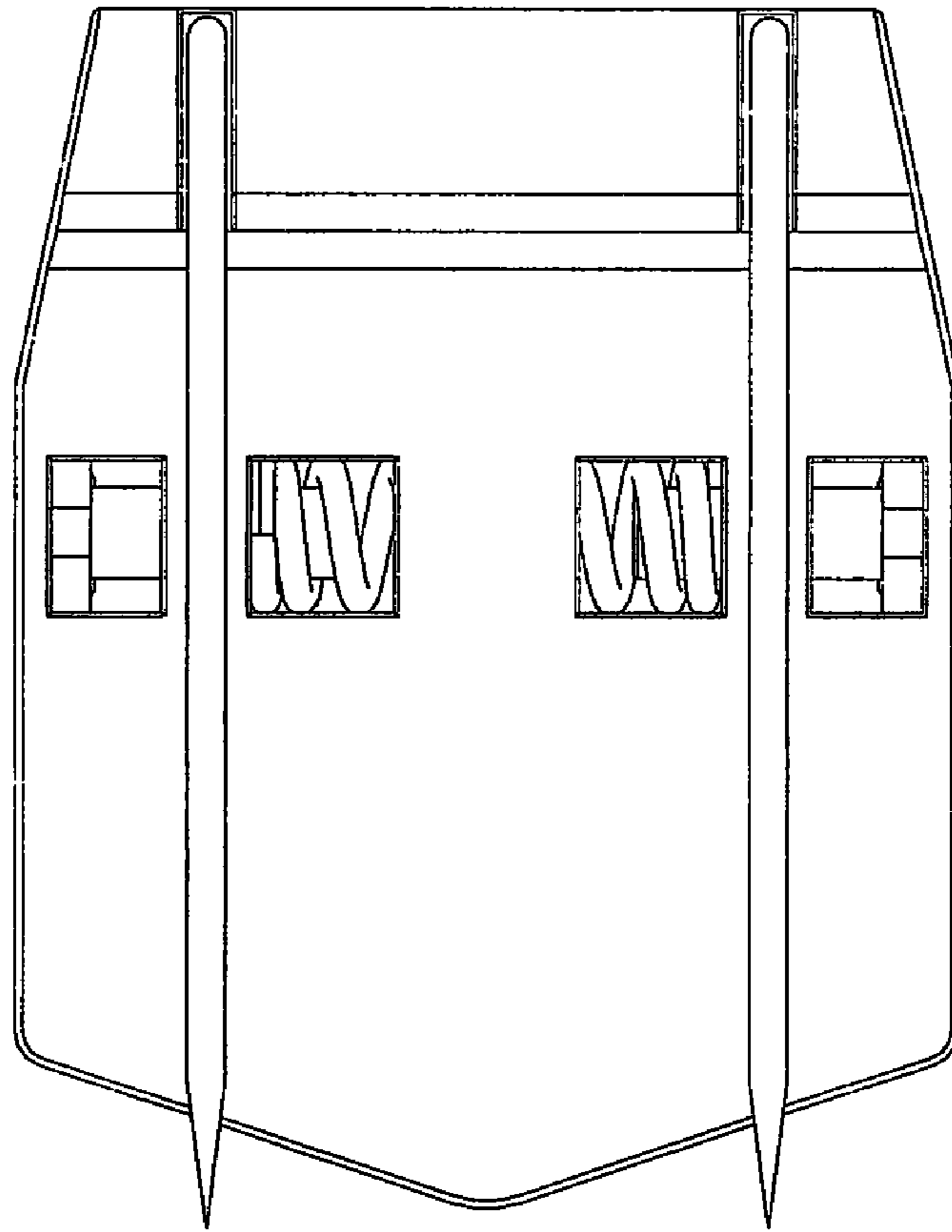


Fig. 3

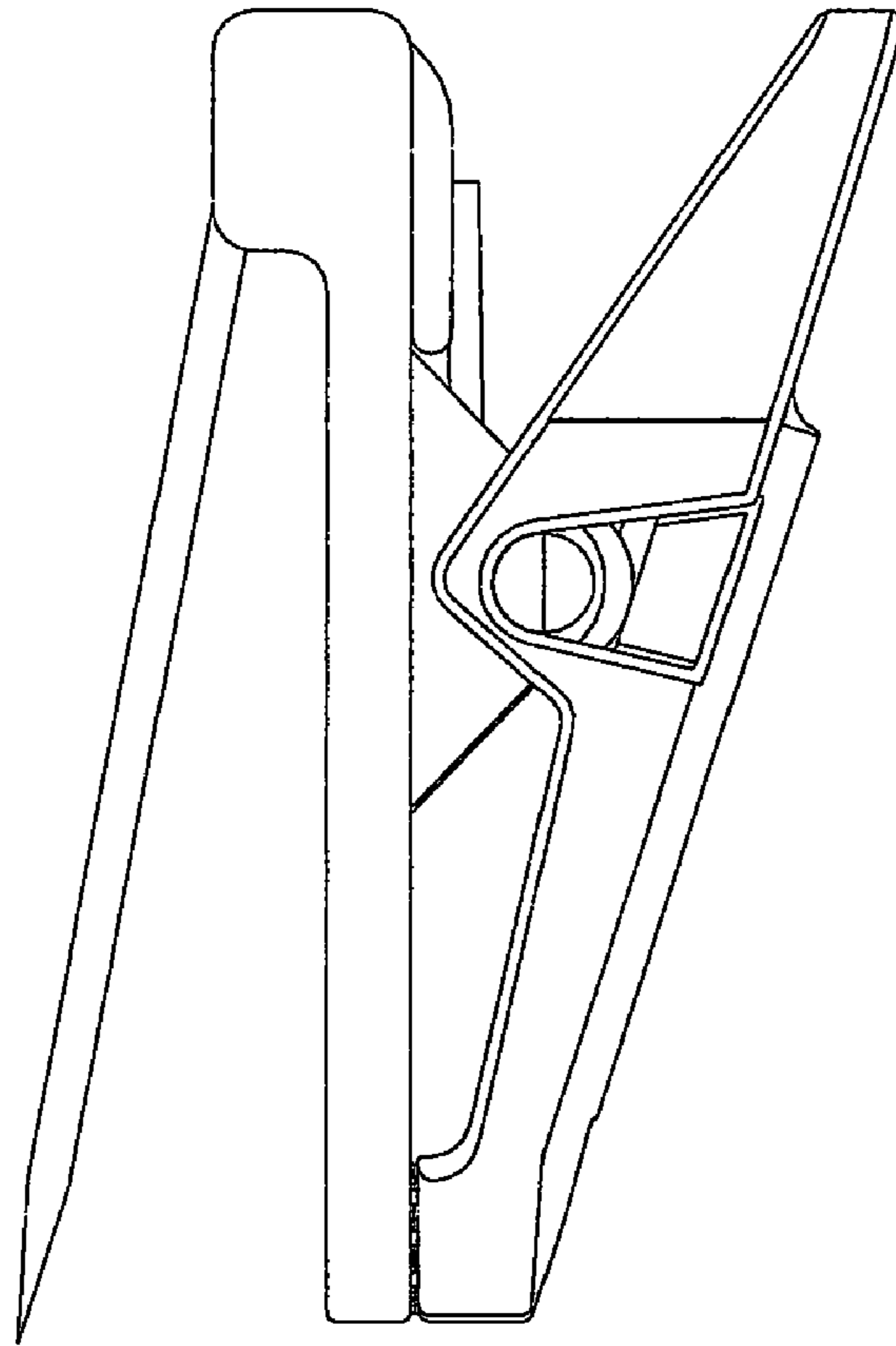


Fig. 4

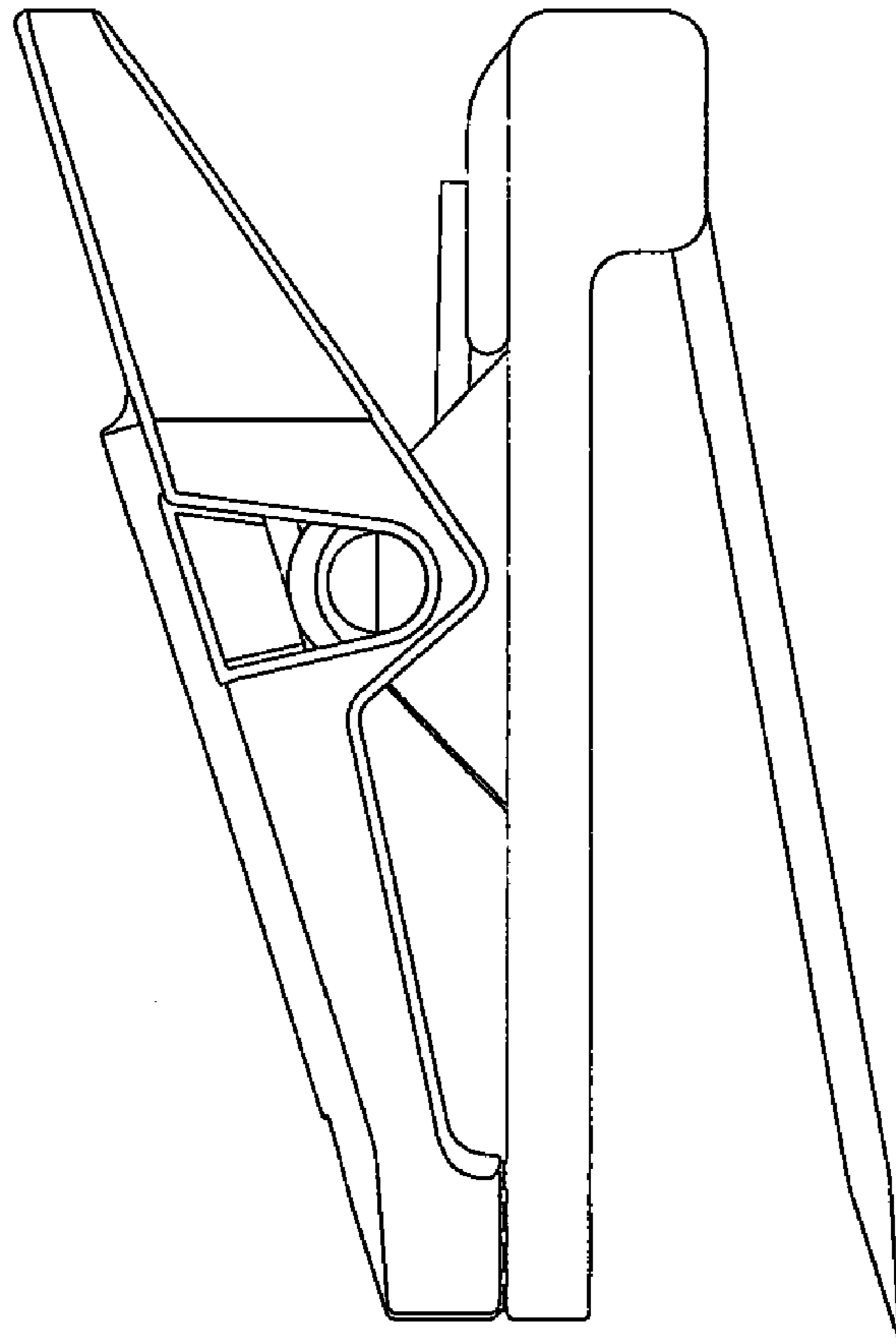


Fig. 5

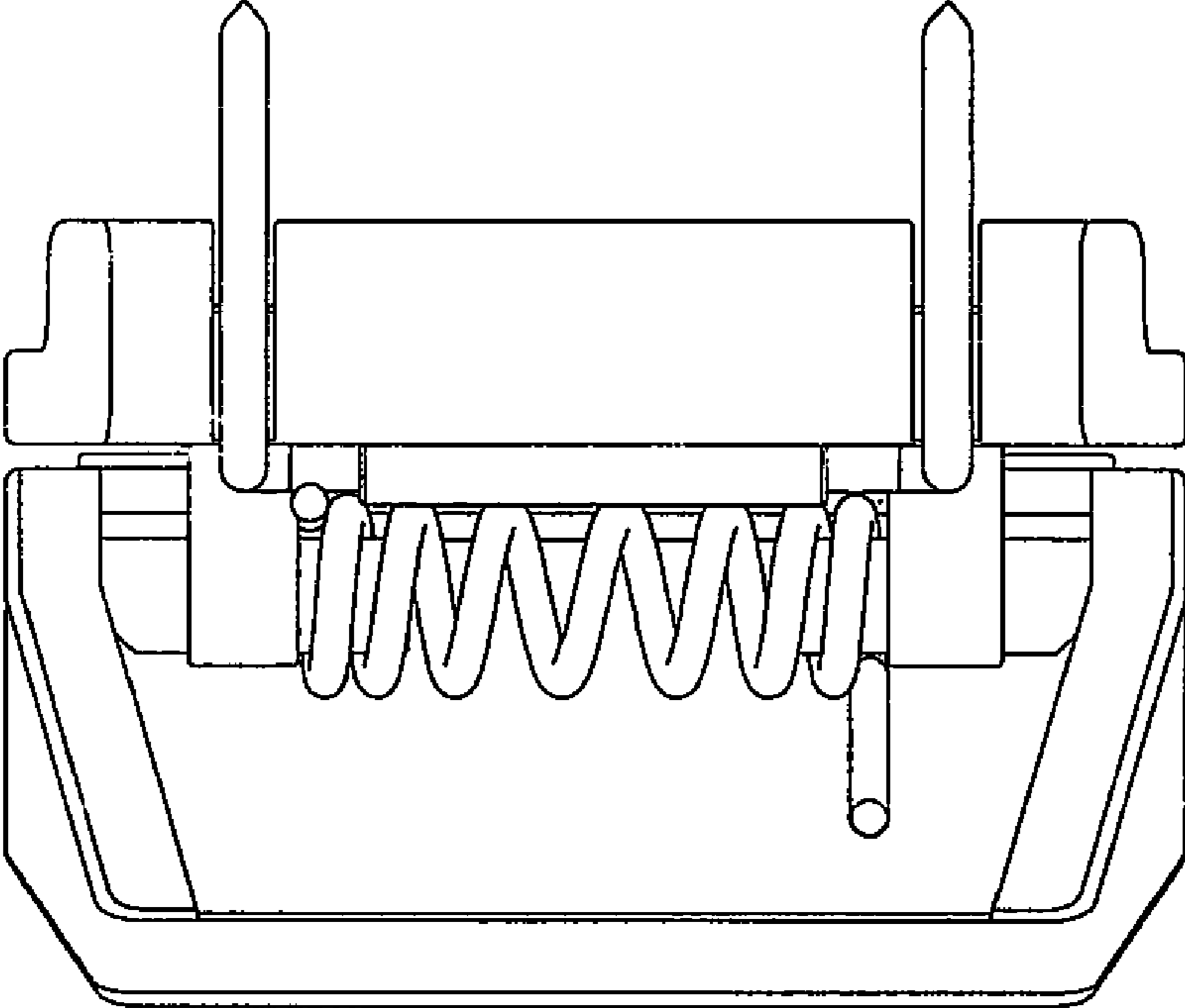


Fig. 6

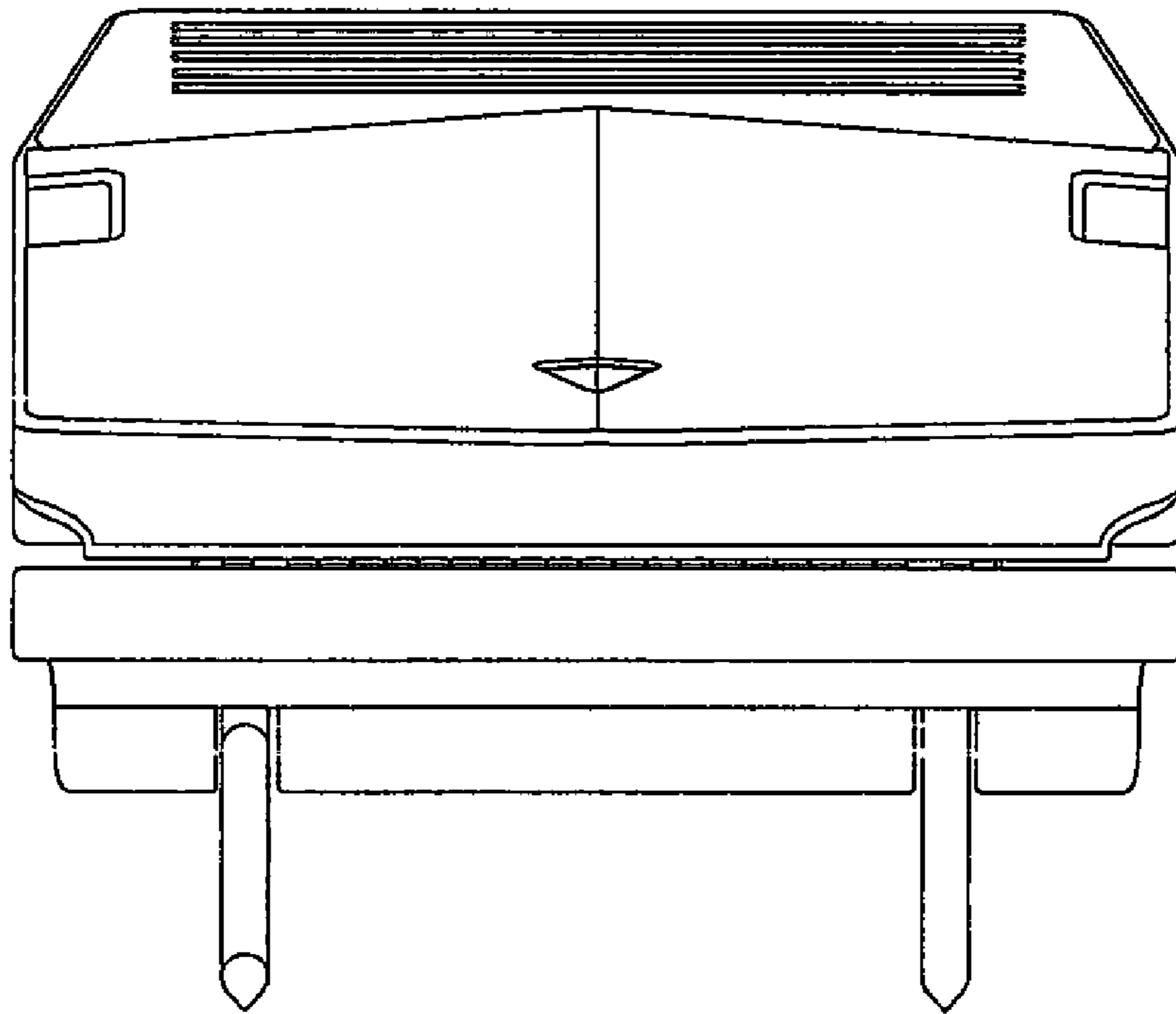


Fig. 7

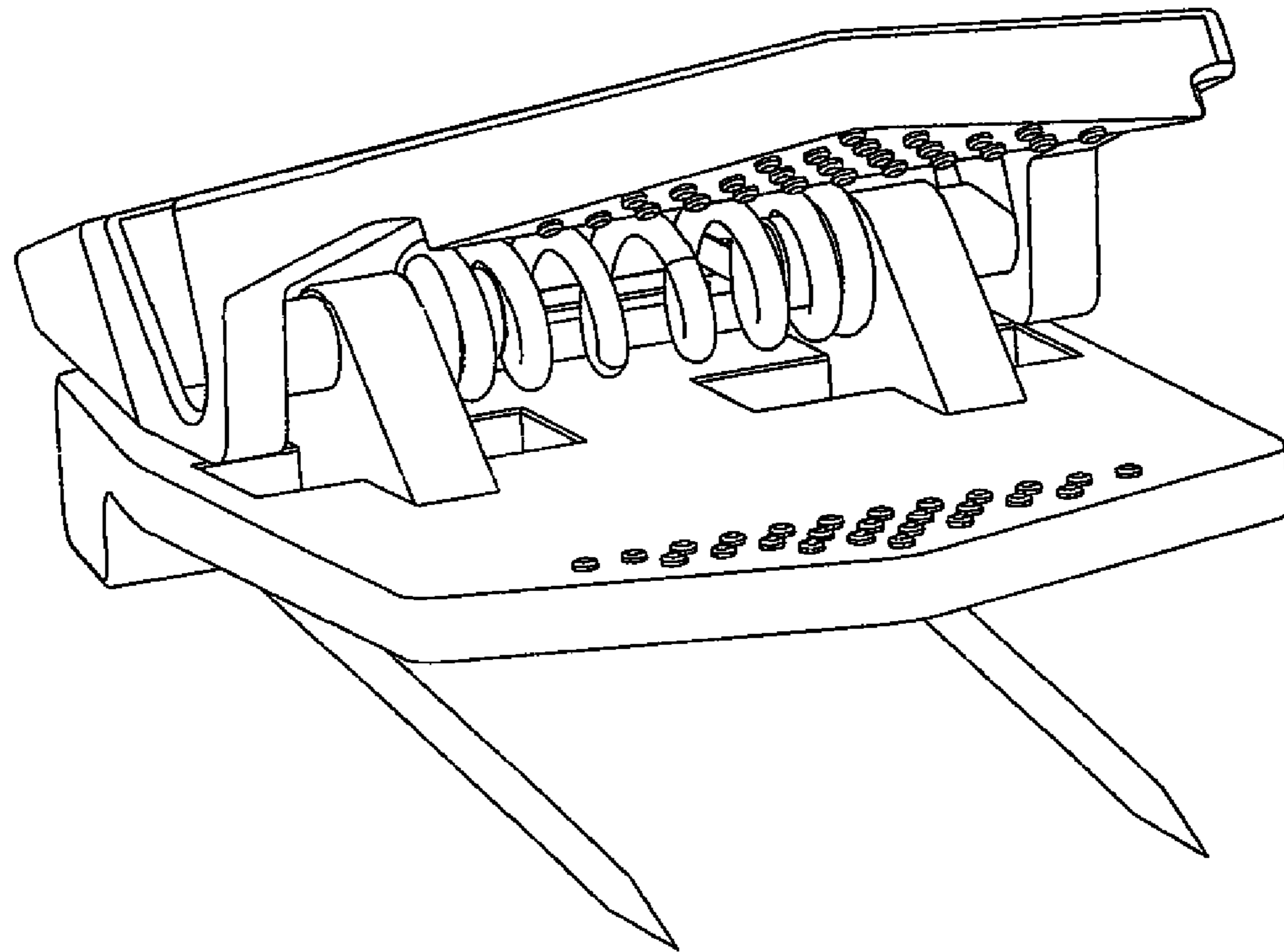


Fig. 8