



US00D614944S

(12) **United States Design Patent**  
**Maro et al.**

(10) **Patent No.:** **US D614,944 S**

(45) **Date of Patent:** **\*\* May 4, 2010**

(54) **STACKABLE CLAMP**

(75) Inventors: **Randall A. Maro**, Davenport, IA (US);  
**Geoffrey L. Luzier**, East Dubuque, IL (US)

(73) Assignee: **Deere & Company**, Moline, IL (US)

(\*\*) Term: **14 Years**

(21) Appl. No.: **29/344,424**

(22) Filed: **Sep. 29, 2009**

(51) **LOC (9) Cl.** ..... **08-08**

(52) **U.S. Cl.** ..... **D8/394**

(58) **Field of Classification Search** ..... D8/354,  
D8/356, 371, 394-396; D19/65, 86; D24/128;  
248/74.2, 215, 227.1, 49, 300, 301, 316.7,  
248/51, 489; 24/570, 3.12; D32/61; D11/78.1  
See application file for complete search history.

(56) **References Cited**

**U.S. PATENT DOCUMENTS**

753,399	A *	3/1904	Hunt	.....	248/65
3,228,640	A *	1/1966	Wolsh	.....	248/72
3,259,347	A *	7/1966	Yates	.....	248/73
D228,877	S *	10/1973	Hirt	.....	D8/394
4,616,749	A *	10/1986	Briggs	.....	206/315.2
5,137,243	A *	8/1992	Stevens et al.	.....	248/316.7
D361,506	S *	8/1995	Rumpel	.....	D8/395
5,441,224	A *	8/1995	Ludwig	.....	248/74.2
5,820,479	A *	10/1998	Cline et al.	.....	473/282

D447,045	S *	8/2001	Hundley	.....	D8/354
6,760,956	B1 *	7/2004	Lee et al.	.....	24/3.12
D569,718	S *	5/2008	Nakamura et al.	.....	D8/394
D575,088	S *	8/2008	Saulnier	.....	D6/547

\* cited by examiner

*Primary Examiner*—T. Chase Nelson  
*Assistant Examiner*—John Windmuller

(57) **CLAIM**

The ornamental design for a stackable clamp, as shown and described.

**DESCRIPTION**

FIG. 1 is a top front perspective view of a stackable clamp showing our new design;

FIG. 2 is a top rear perspective view thereof;

FIG. 3 is a bottom front perspective view thereof;

FIG. 4 is a bottom rear perspective view thereof;

FIG. 5 is a right side view thereof;

FIG. 6 is a left side view thereof;

FIG. 7 is a front view thereof;

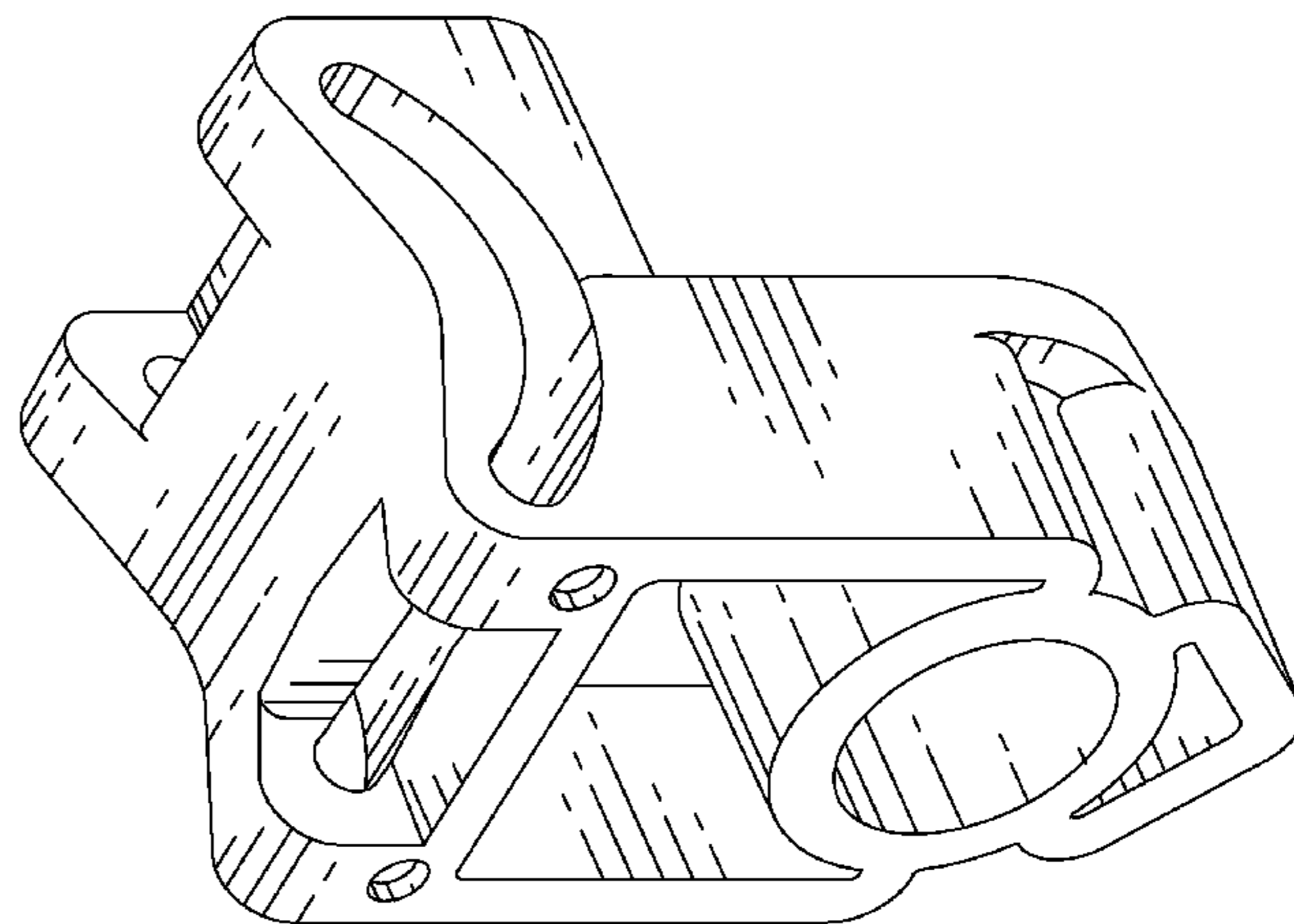
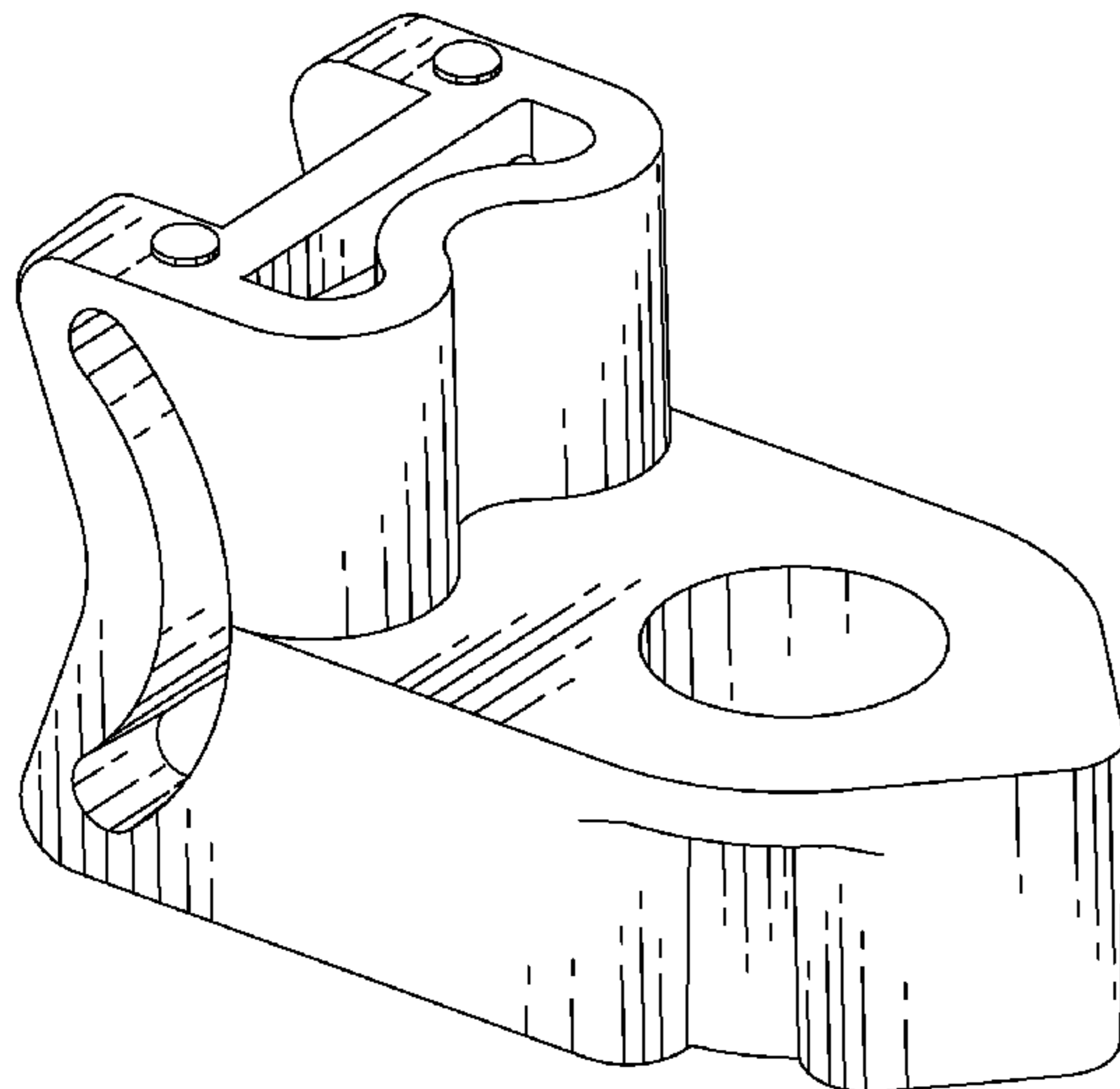
FIG. 8 is a rear view thereof;

FIG. 9 is a top view thereof; and,

FIG. 10 is a bottom view thereof.

The broken lines in FIG. 9 depict portions of the clamp that form no part of the claimed design.

**1 Claim, 5 Drawing Sheets**



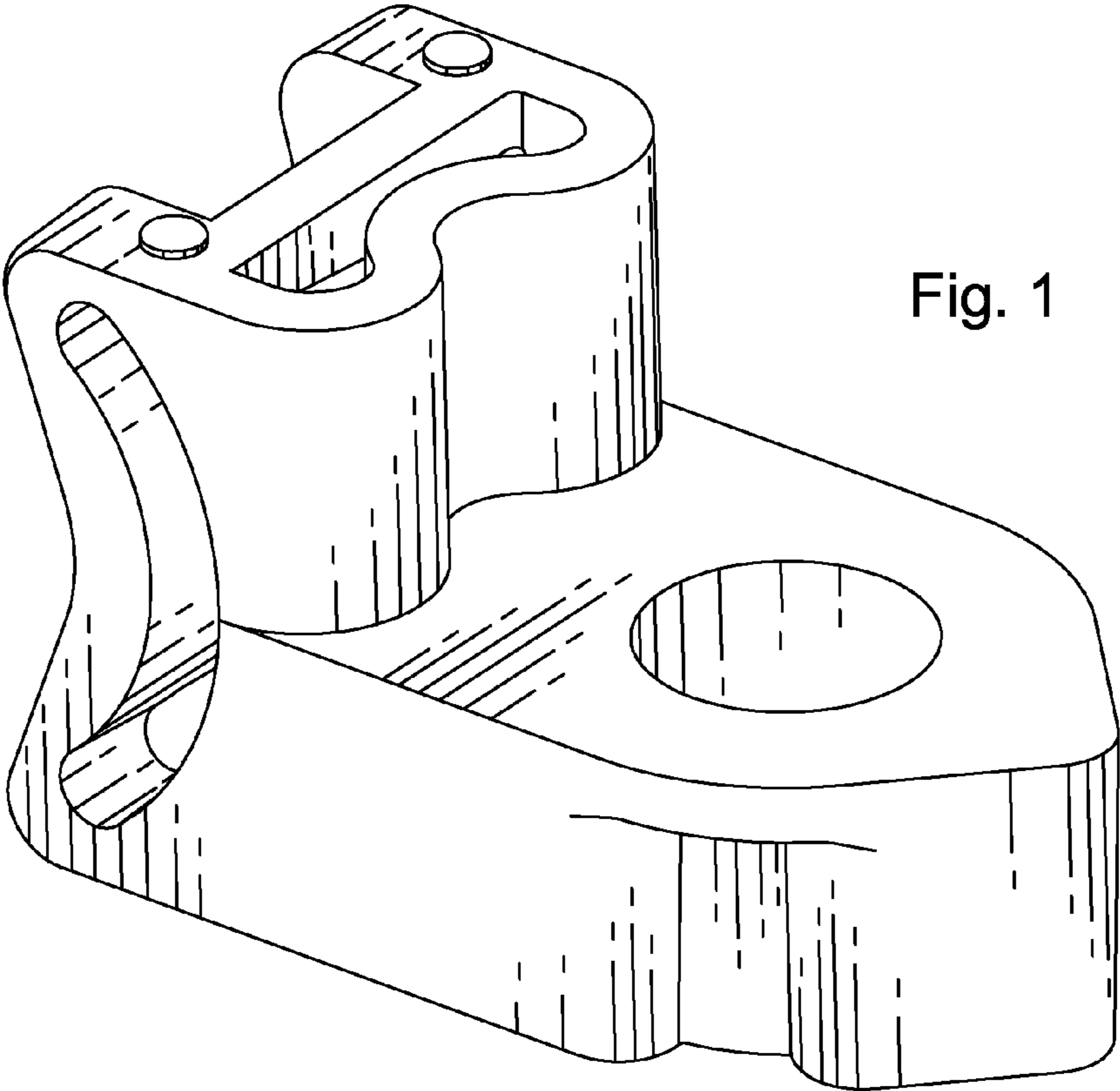


Fig. 1

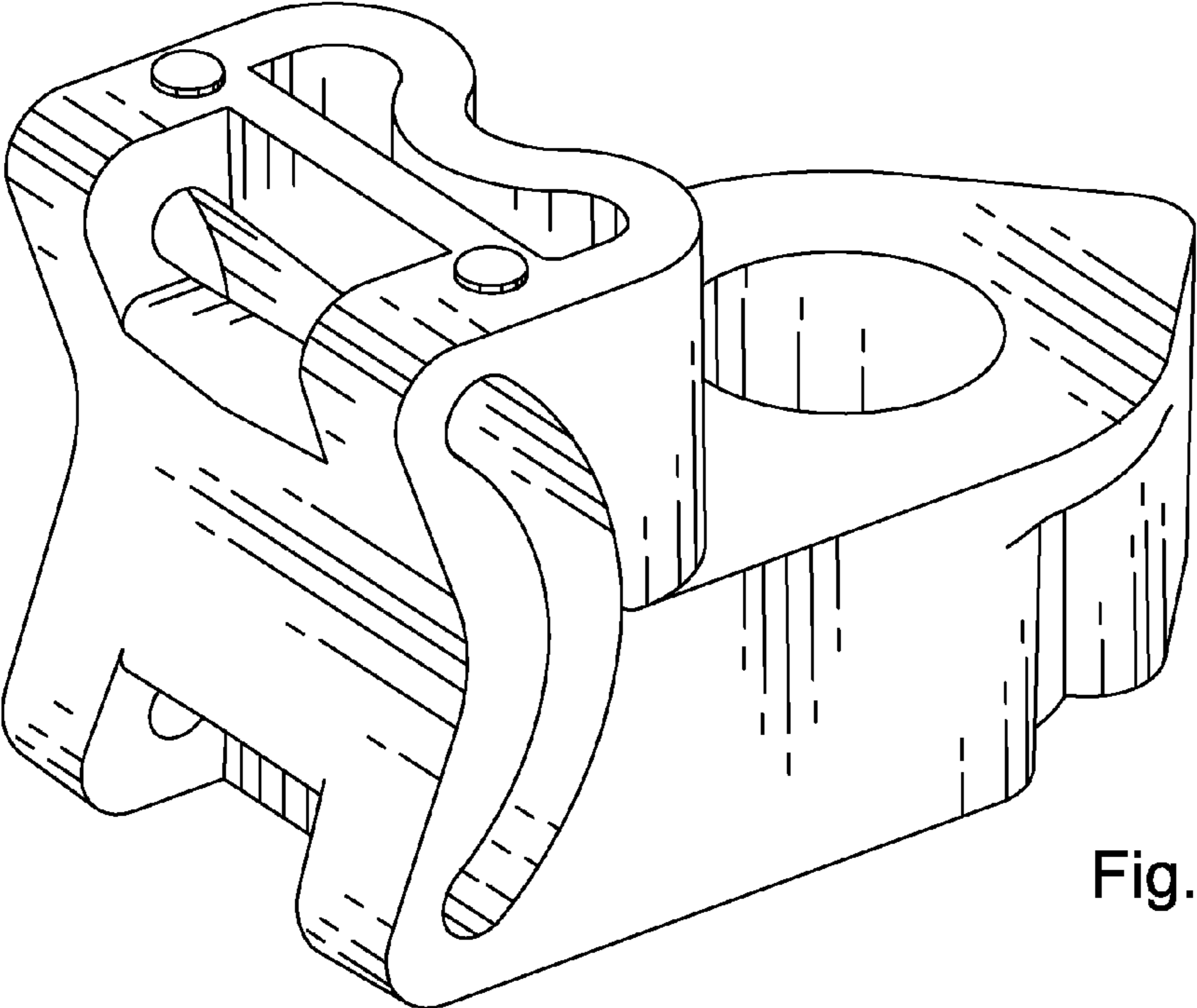


Fig. 2

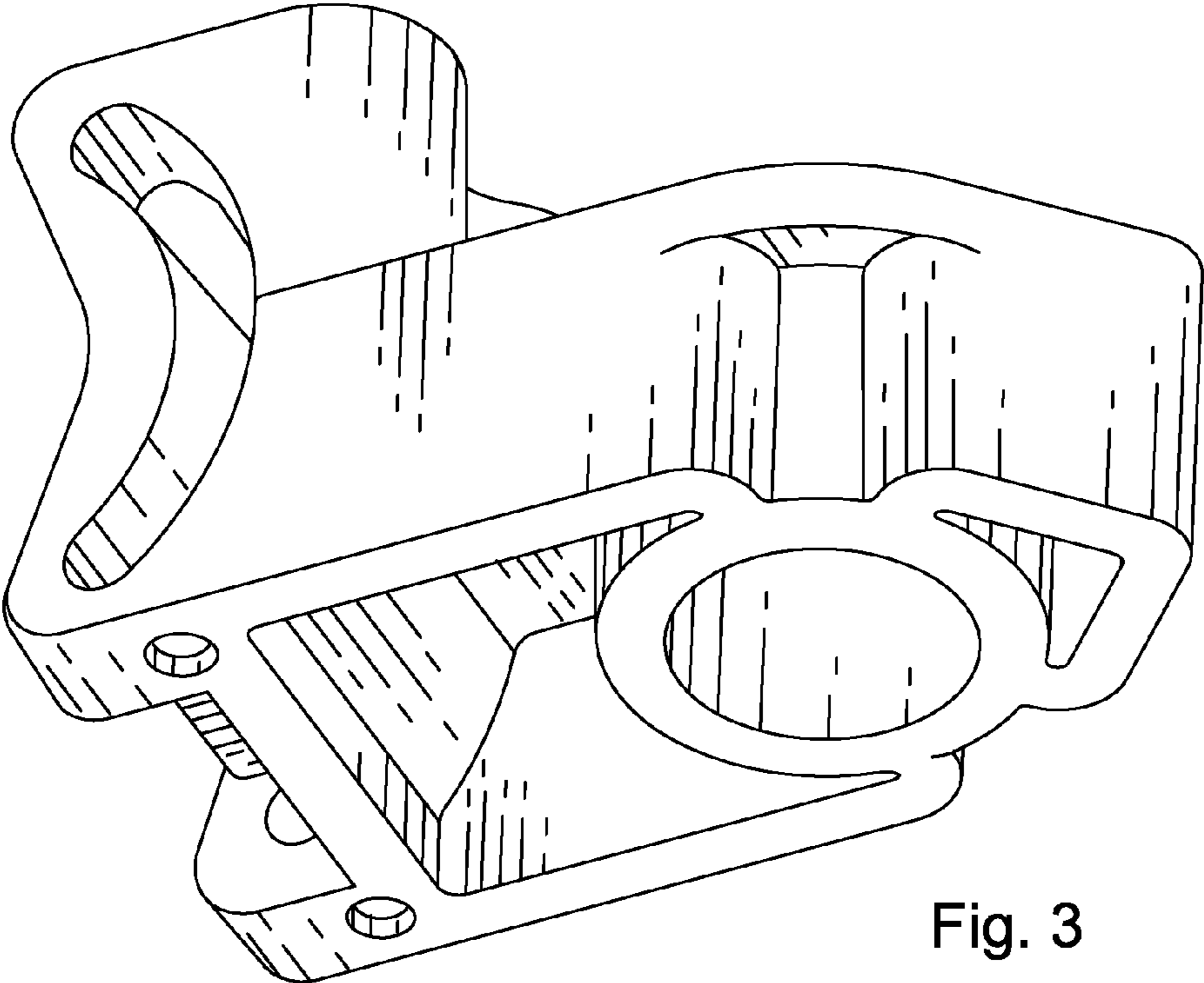


Fig. 3

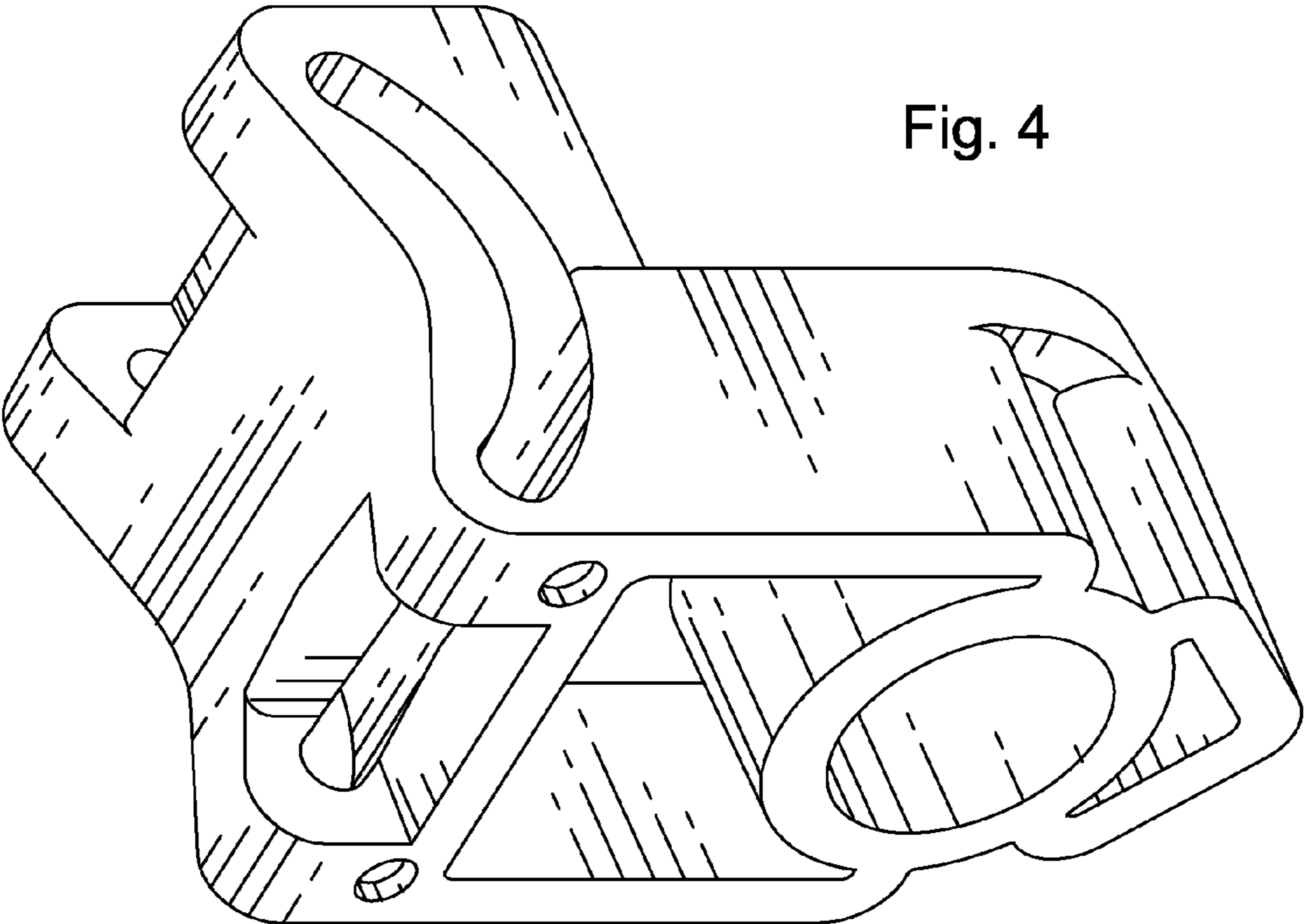


Fig. 4

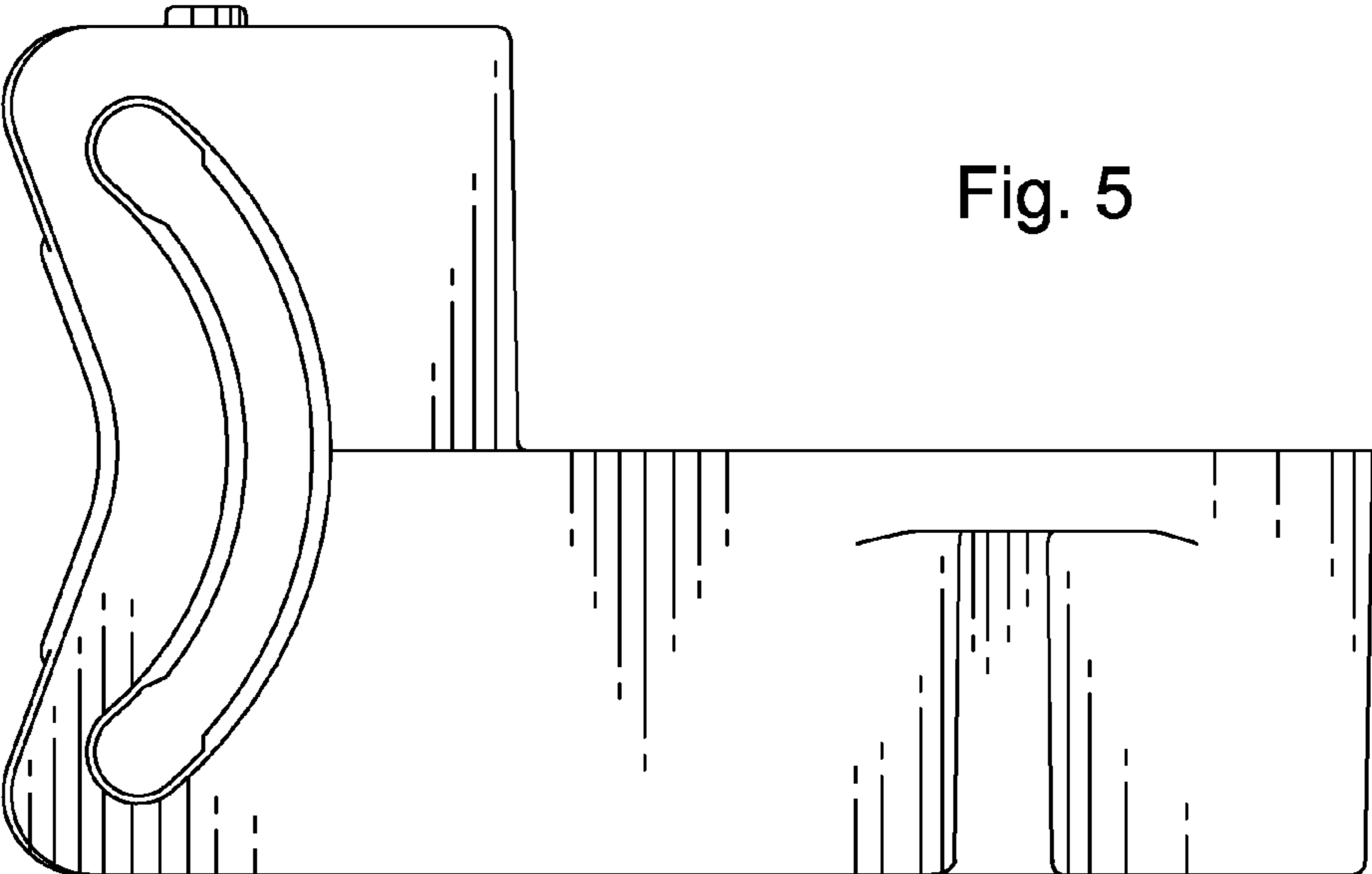


Fig. 5

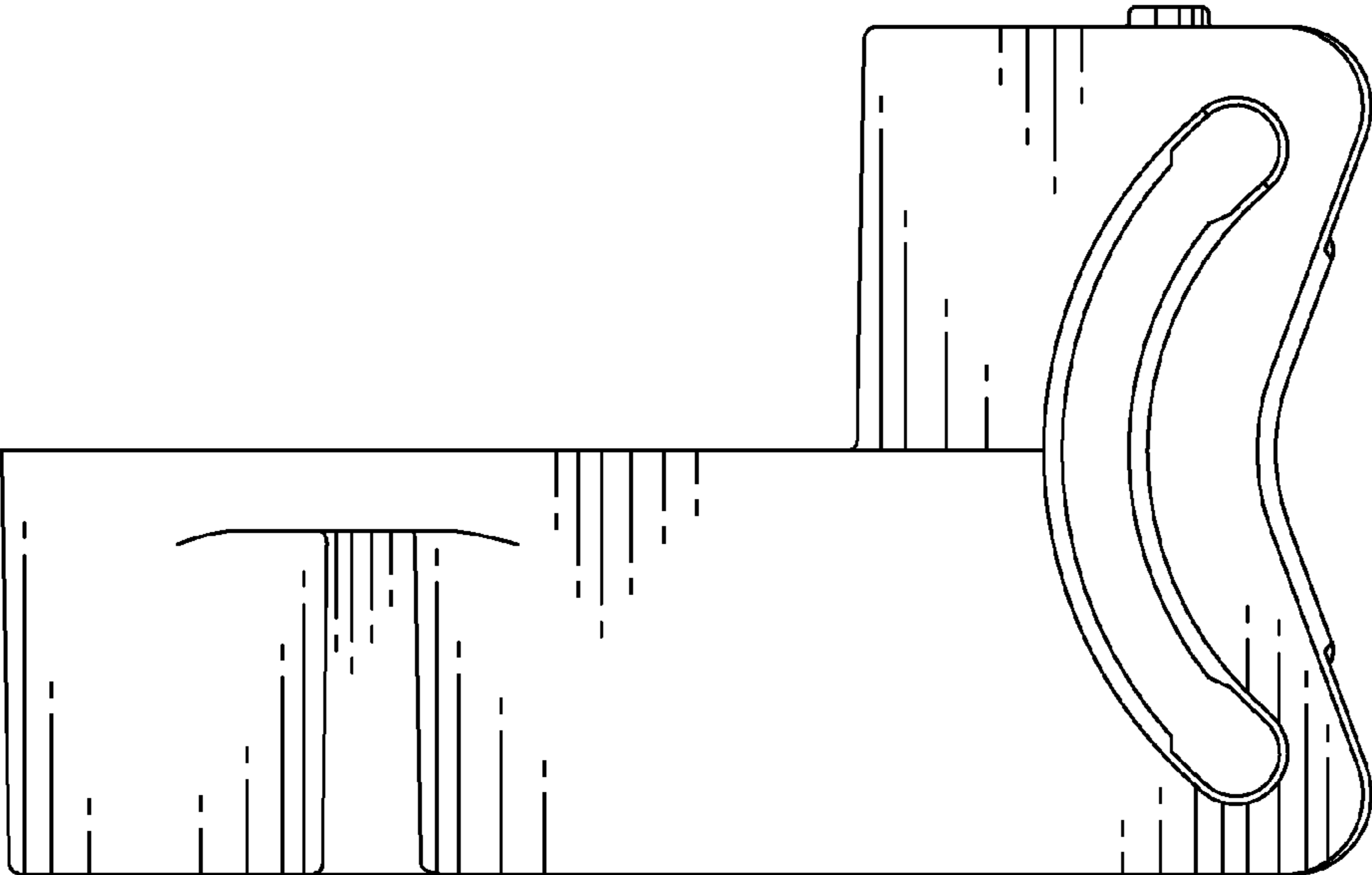


Fig. 6

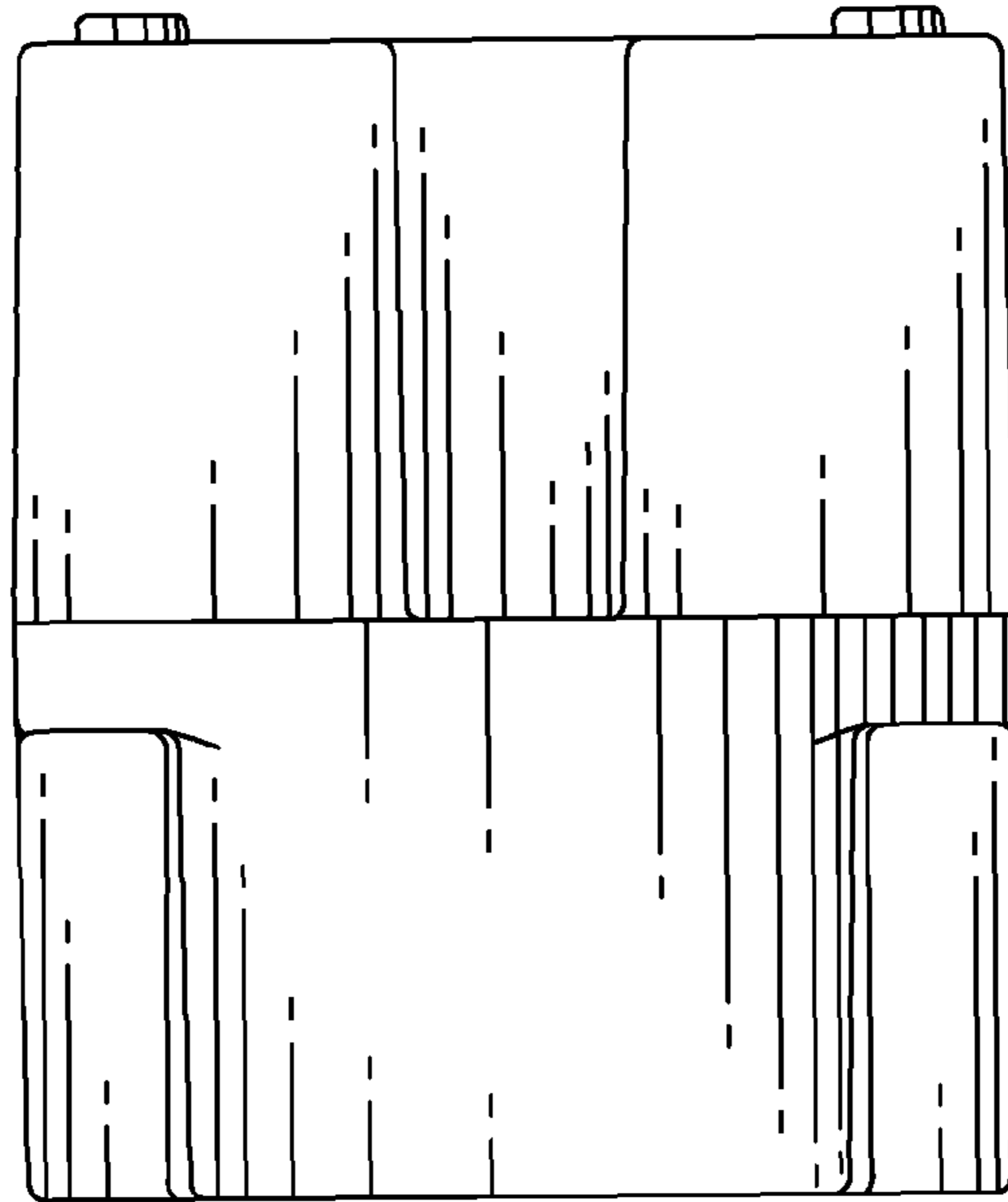


Fig. 7

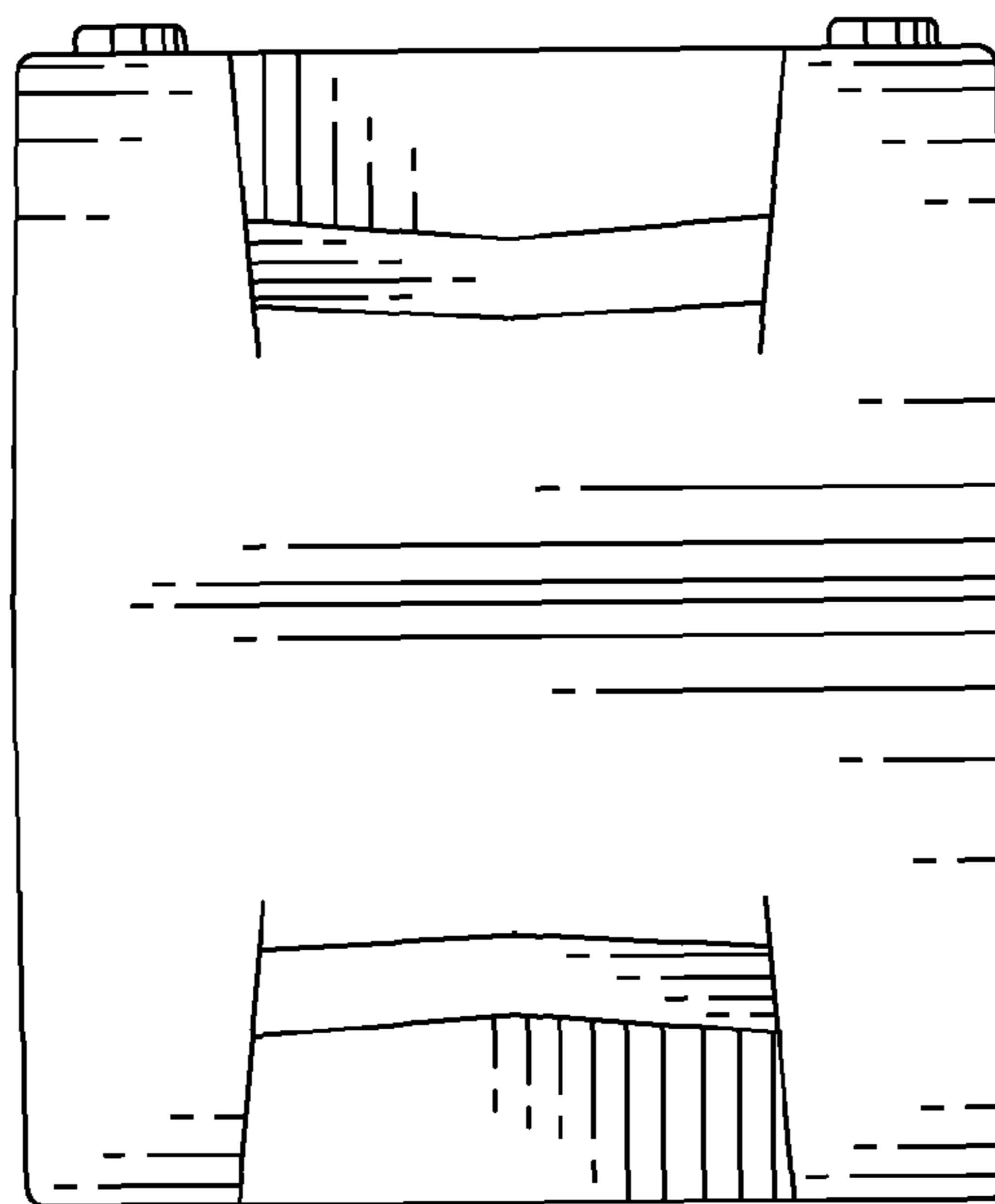


Fig. 8

Fig. 9

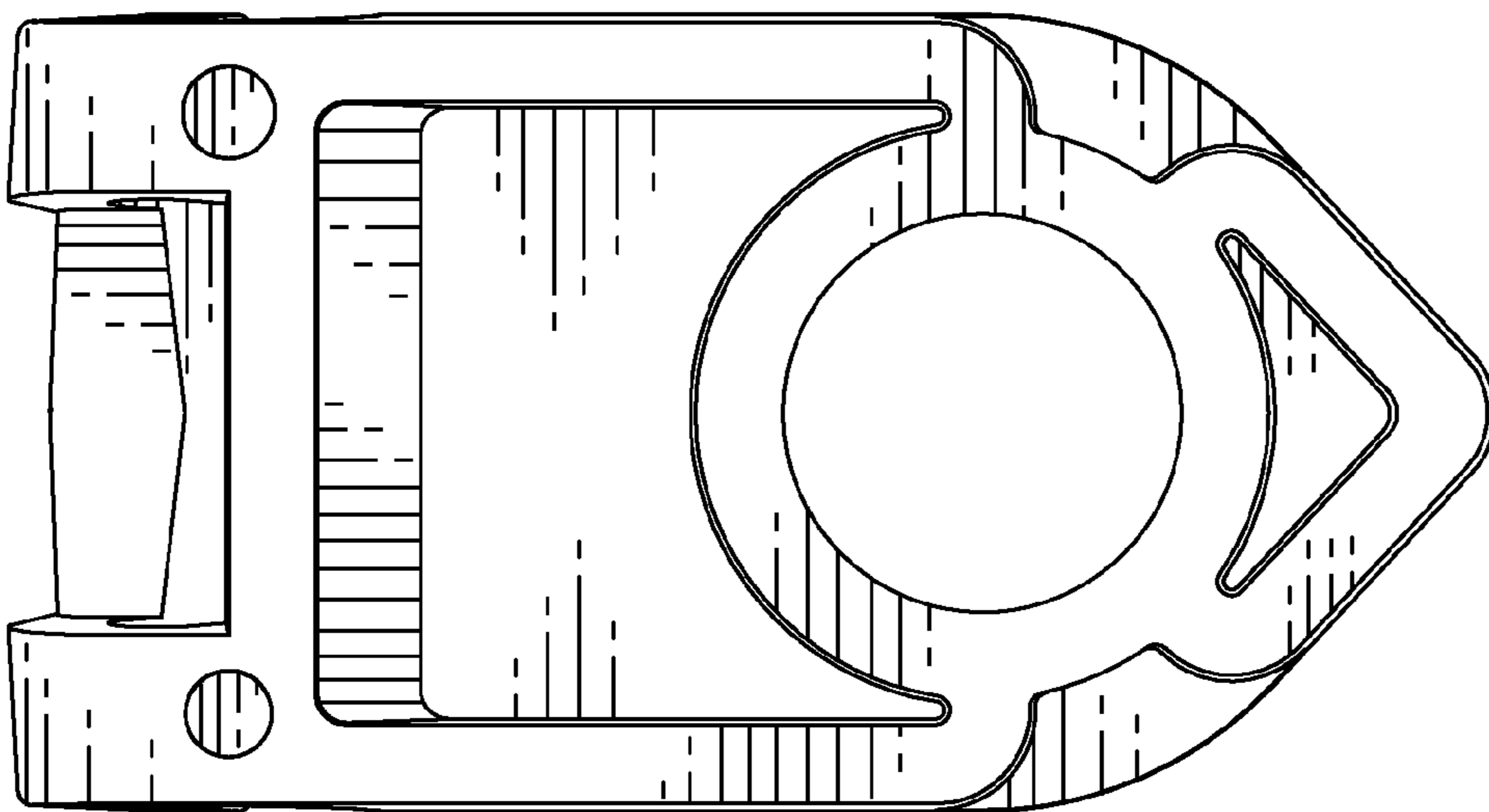
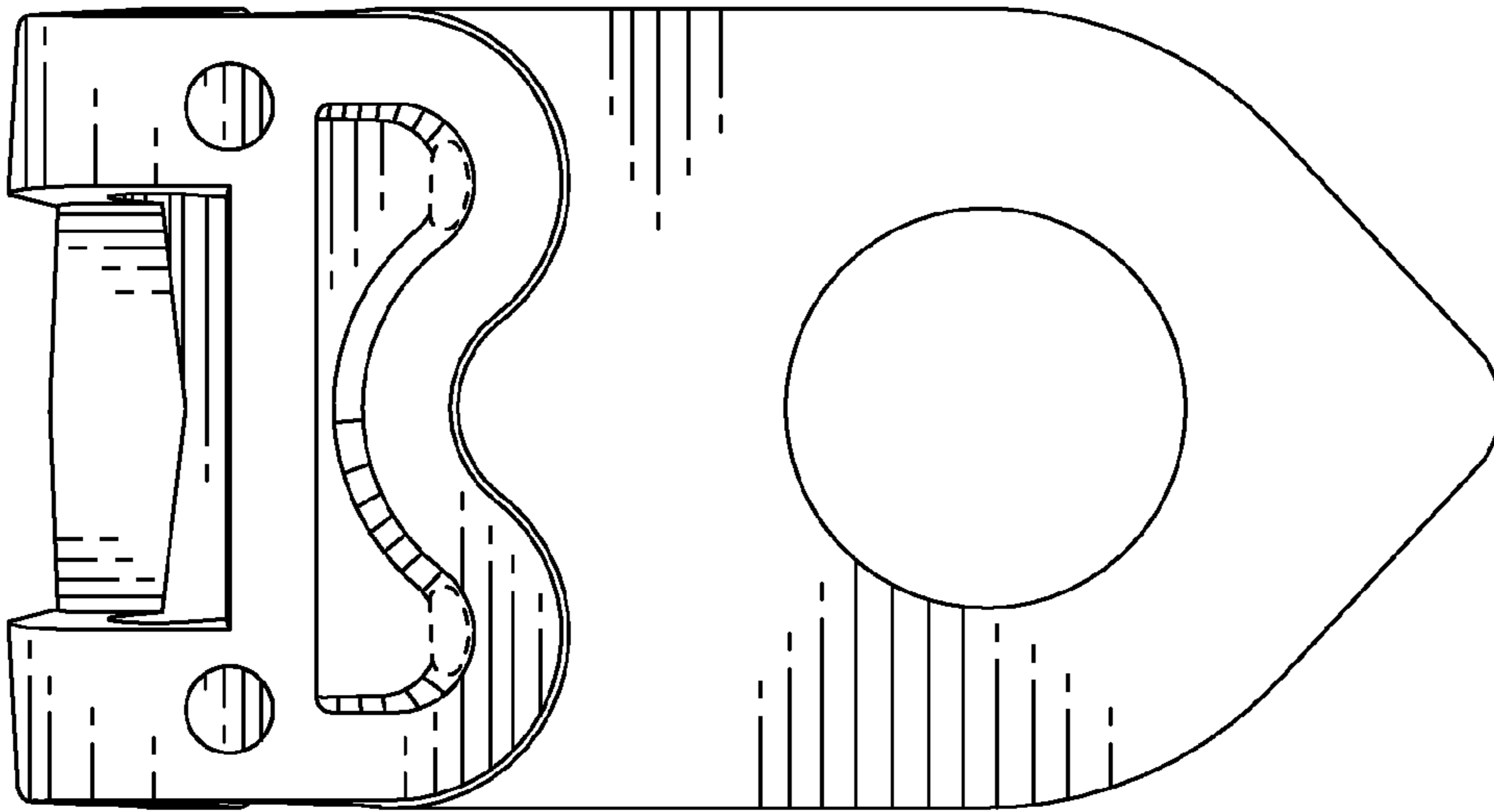


Fig. 10